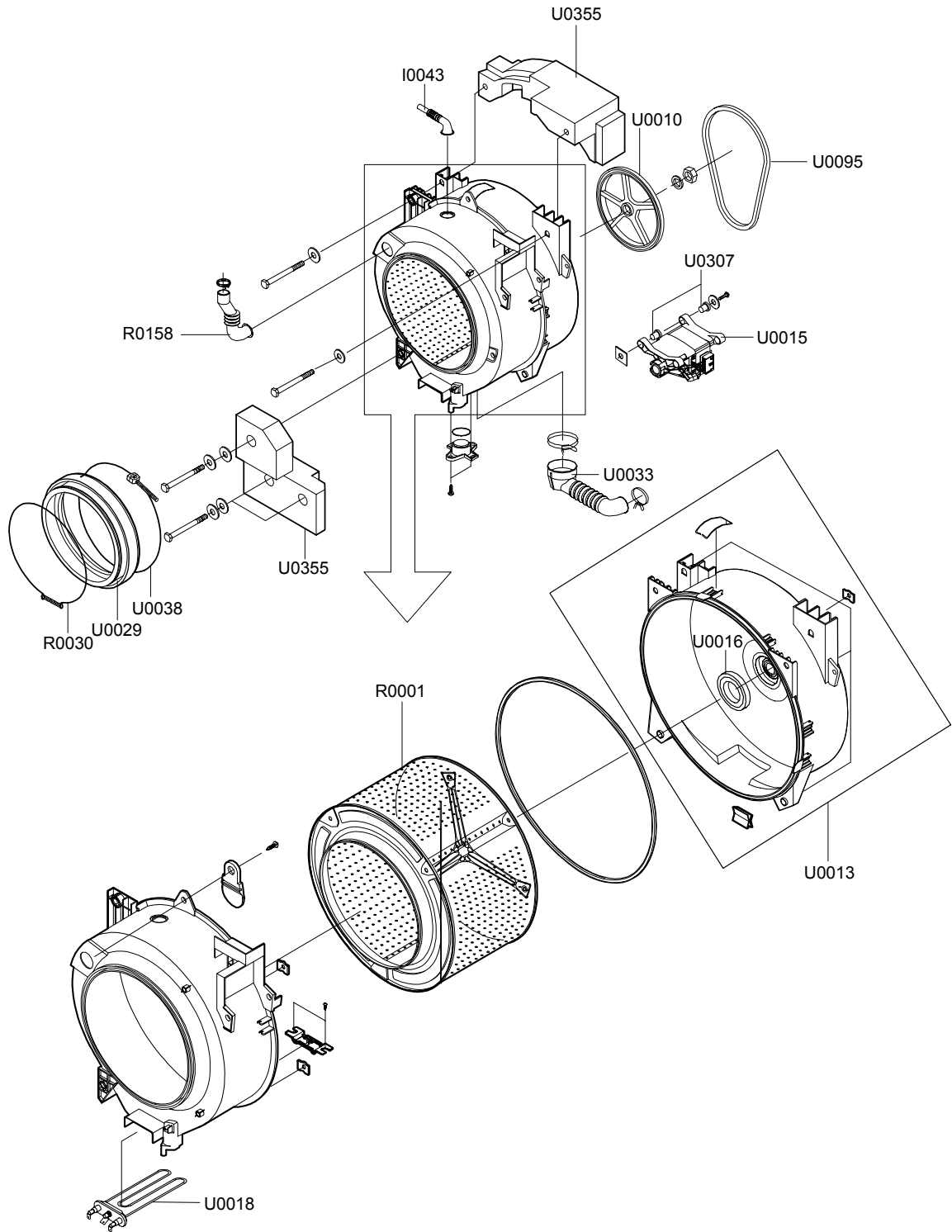
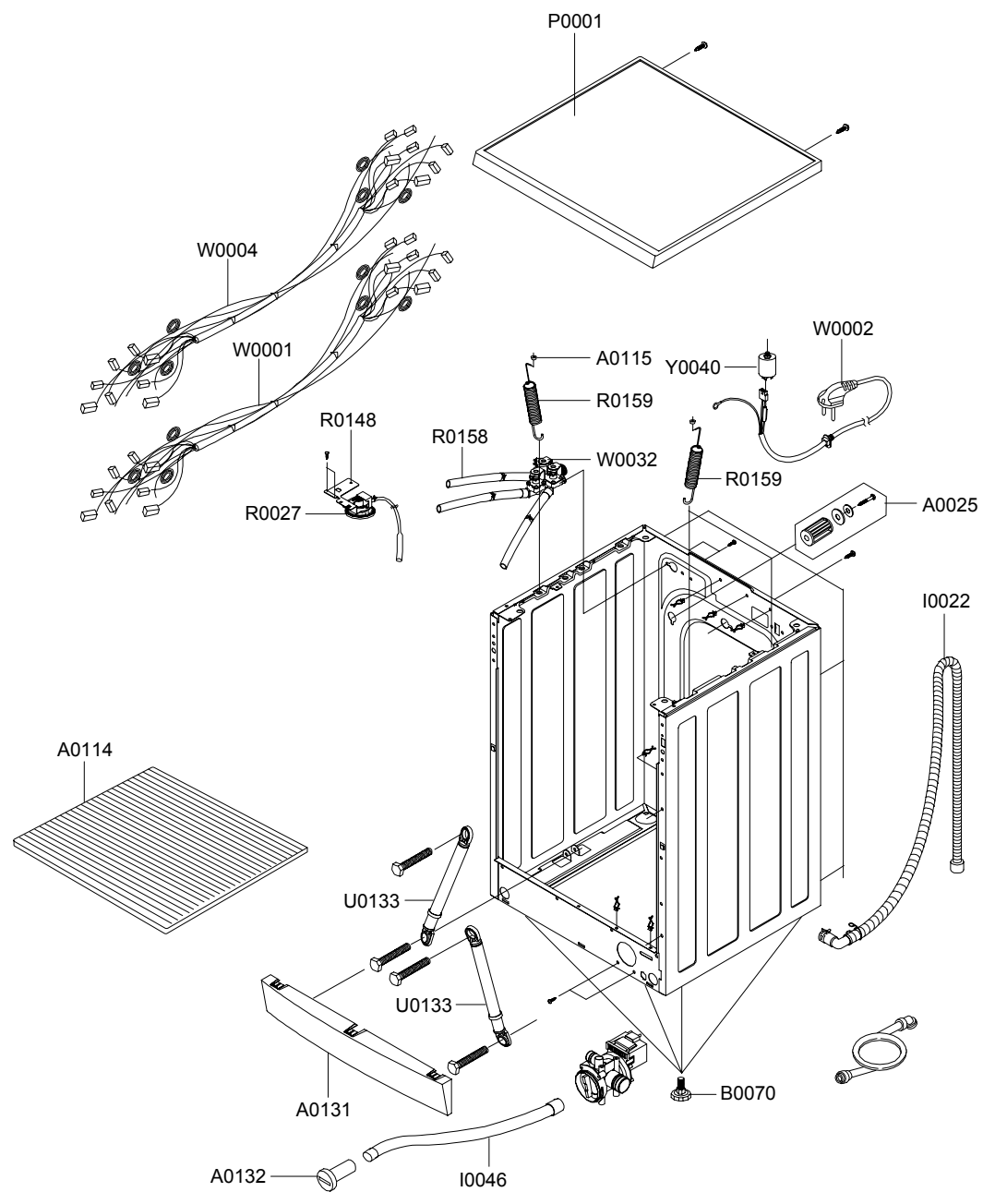


TOP(FRONT)



(TUB)



(CASE)

Parts List

NO.	CODE NO.	DESCRIPTION	SPECIFICATION	Q'TY	SA/SNA
A0006	DC61-10672A	COVER-FRONT(L)	SWF-P12,PP(BJ-730),-,,-,	1	SA
A0025	DC97-02106A	ASSY-FIXER TUB	S1005J,SLIM-PJT	5	SA
A0034	DC60-40146A	BOLT-SPANER	-,,-,OD36,T2.5,L52,FE,FZY,-,P	1	SA
A0043	DC61-10688A	CAP-FIXER	SWF-P12,PP(TB53),-,,-,WHT,-,	5	SA
A0043	DC61-10688A	CAP-FIXER	SWF-P12,PP(TB53),-,,-,WHT,-,	1	SA
A0114	DC61-20235A	SHUTTER	DANPLA,PP(BB110),WHT,	1	SA
A0115	DC61-60180A	SLEEVE-PLUG	NYLON#6,SEW-720DR,-,-,NTR	3	SA
A0132	DC61-10673A	CAP-DRAIN	SWF-P12,PP(TB53),-,,-,WHT,-,	1	SA
A0204	DA02-10149A	TAPE ETC-OPP	-,,-,W60,-,-,-,REF.W/M	0.85	SA
A0204	DA02-10149A	TAPE ETC-OPP	-,,-,W60,-,-,-,REF.W/M	2	SA
A0242	DC64-00994E	INLAY-PANEL	J1043GW/YGG,PC,T0.5,-,-,WHT,	1	SA
A0328	DC64-00808A	PANEL-DRAWER	P/R/F/SLIM,ABS,-,-,-,-,SNOW	1	SA
A0359	DA69-90141A	BAND-PP	GB-SPEC,PP,T1.0,W13,-,-,W14.5,RE	8	SA
A0362	DC61-40081A	HOLDER-WIRE	DAWH-2NC,NYLON66,-,-,-,-,NTR	6	SA
B0070	DC97-00920C	nSSY-LEG	SEW-HW108,-	4	SA
C0002	DC97-09046M	ASSY-PANEL CONTROL	J1043,7.0Kg/WHT/SPANI	1	SA
C0058	DC64-00653A	DOOR-LOCK S/W	DA,PA6-G,-,-,H82,W50,-,-,BLK,2	1	SA
C0103	DC66-00358A	LEVER-DOOR	SEW-HW105,ZNDC,-,-,-,-,CR-COA	1	SA
C0105	DC61-00890A	SPRING-HANDLE	HAUZEN(DOM),STS304,CD1.0,-	1	SA
C0115	MFS-J1043-00	ASSY PCB PARTS	MFS-J1043-00 AU	1	SA
D0003	DC61-00889A	HINGE-DOOR	HAUZEN(DOM),ZNDC,-,-,-,-,18	1	SA
D0061	DC61-20207A	DOOR-GLASS	Q1636GW/XEU,GLASS,-,-,-,-,TRP	1	SA
D0072	DC61-00891A	GUIDE-HINGE	HAUZEN(DOM),POM,-,-,-,-,WHT,HI	2	SA
D0075	DC64-00646A	HANDLE-DOOR	SD455-PJT,POM,-,-,-,-,WHT,RO	1	SA
D0081	DC61-00888A	HOLDER-GLASS	HAUZEN,ABS,-,-,-,-,WHT,AUTO+M	1	SA
D0109	DC61-60519A	GUIDE-BAR	SWF-P12,SHV-745CC1(SSEC),-,,-,-	1	SA
D0112	DC63-00391A	COVER-DOOR	HAUZEN(DOM),ABS,-,-,-,-,WHT	1	SA
F0062	DC99-00535A	ASSY-PAINT	J1043,SSEC/WHT/J-PJT	1	SA
F0064	DC97-00702D	ASSY-FRAME FRONT	SB-PJT/WHT,ROUND-TYPE	1	SA
F0065	DC97-05134B	ASSY-FRAME PLATE(U)	WF-R1053/XSC,R-PJT/S	1	SA
I0003	DC62-10289C	HOSE-WATER(C)	RUSSIA,PVC+NYLON,ID10.3,-,	1	SA
I0022	DC97-00139F	ASSY-HOSE DRAIN(O)	P-PJT,PP/L1970/CHINA	1	SA
I0030	DC62-10278A	HOSE-HANGER	-,PP(JS20),-,,-,-,-,NTR,-	1	SA
I0043	DC62-10303A	HOSE-AIR	-,EPDM,ID24,-,-,L130,BLK,SWF-P1	1	SA
I0046	DC62-10302A	HOSE-DRAIN	SWF-P12,EPDM,ID5.5,-,-,L220,B	1	SA
J0019	DC61-10652B	CASE-PUMP	PP(5113MF6),SW-5C1P,-,-,-,-,WHT,	1	SA

Parts List

NO.	CODE NO.	DESCRIPTION	SPECIFICATION	Q'TY	SA/SNA
J0024	DC62-00187A	SEAL-WASHER	SW80ASPIW/YMI,NBR,BLK,-,-,-,	1	SA
J0025	DC31-30008D	PUMP-DRAIN	SW-70XP,220/240V,50Hz,SYNCHRO	1	SA
P0001	DC97-00851F	ASSY-COVER TOP	P-PJT/MDF,WOOD/WHT	1	SA
P0036	DC61-10687A	CAP-RINSE	SWF-P12,PP,-,-,-,WHT,-,	1	SA
P0082	DC97-05973A	ASSY-HOSE PRESSURE	5.2kg/SD455/SD405,PVC	1	SA
R0001	DC97-01463D	ASSY-DRUM	SEW-HW957,1200RPM/7.5KG	1	SA
R0017	DC97-02051A	ASSY-DRUM LIFTER	DRUM,LIFTER+FIXER ASSY	3	SA
R0019	DC97-06572E	ASSY-HOUSING DRAWER	BIG-WASH,P2-PJT,2WAY	1	SA
R0019	DC97-03244A	ASSY-HOUSING DRAWER	B1215J,FOR/2WAY	1	SA
R0027	DC97-00731A	ASSY-SENSOR PRESSURE	P1091,S-PRE+BRAKET+	1	SA
R0030	DC91-12078A	ASSY-WIRE DIAPHRAGM	SWF-P12,FRAME-FRONT	1	SA
R0036	DC61-30348A	BODY-DRAWER	-,PP,-,-,-,-,-	1	SA
R0045	DC61-00027A	CAP-DRAWER	COVER_HOT-HOLE/P12,NBR,-,-,L1	1	SA
R0047	DC67-00114A	CAP-FILTER	SW80ASPIW/YMI,P,P,-,-,-,BLK,-	1	SA
R0065	DC63-00450A	COVER-FRONT	S821,PP,T1.8,-,-,-,-,WHT,GUI	1	SA
R0106	DD60-50018A	NUT-FLANGE	-,M5XP0.8,FZY,MSWR10,-	2	SA
R0147	6011-001421	BOLT-FLANGE	M7,L61(29.4),ZPC(YEL),SWRCH1	5	SA
R0148	DC61-40345A	BRACKET-PRESSURE	GI or GA,SWK-P12,T1.0,-	1	SA
R0155	DC64-00809A	HANDLE-DRAWER	P/R/F/SLIM,ABS,-,-,-,-,SNO	1	SA
R0158	DC67-00051D	HOSE-DRAWER	S1093~S6093,EPDM,-,-,-,-,BLK	0.46	SA
R0158	DC62-10305A	HOSE-DRAWER TUB	-,EPDM,ID35,-,-,L158,BLK	1	SA
R0159	DC61-70216E	SPRING-HANGER	SEW-HW107,HSWR,CD3.5,-,-,L	2	SA
U0003	DC60-60044A	WASHER-PLAIN	-,ID10.5,OD30,T3,-,-,STS304	2	SA
U0003	DC60-60044B	WASHER-PLAIN	SBC,ID8.4,OD30,T3,-,-,-	5	SA
U0005	DC60-60040A	WASHER-NYLON	-,ID10.5,OD32,T2,-,-,PBSP-1/2	3	SA
U0005	DC60-60040A	WASHER-NYLON	-,ID10.5,OD32,T2,-,-,PBSP-1/2	5	SA
U0010	DC66-10176C	PULLEY	DRUM(7.5KG),ALDC,-,-,-,-,-,ID12.5	1	SA
U0013	DC97-00214Q	ASSY-TUB BACK	SEW-HW957,WASH-ONLY/7.5KG	1	SA
U0015	DC31-00002F	MOTOR-DRUM	HXGM41,SFW-P12,-,50Hz,WASHING	1	SA
U0016	DC62-00160A	SEAL-OIL	TS0-PJT,NBR(SD35),BLK,-,-,-,JIN	1	SA
U0018	DC47-00007A	HEATER	-,DRUM-MDL,SUS316L,-,-,-,230V,20,-,	1	SA
U0023	DC61-00201A	BRACKET-NUT	SBHG-R,P1291,T3,-,-,-,-,NO-PAI	1	SA
U0026	DC97-00215L	ASSY-TUB FRONT	SEW-HW957,WASH/7.5KG	1	SA
U0029	DC61-20219E	DOOR-DIAPHRAGM	SEW-HW107,EPDM,-,-,-,-,GR	1	SA
U0033	DC62-10304A	HOSE-FILTER TUB	-,EPDM,ID65,-,-,L151,BLK	1	SA
U0038	DC91-12077A	ASSY-CLAMP DIAPHGRAM	SWF-P12,TUB	1	SA

Parts List

NO.	CODE NO.	DESCRIPTION	SPECIFICATION	Q'TY	SA/SNA
U0086	DC67-00079A	WEIGHT-BALANCER(F)	SEW-HW107,FE,-,-,-,RE	1	SA
U0095	6602-001072	BELT-TIMING GEAR	POLYURETHAN,L1270,J5,ME	1	SA
U0133	DC66-00421A	DAMPER-SHOCK	F-PJT,FRICITION-DAMPER,-,-,-	2	SA
U0307	DC61-00041A	CUSHION-MOTOR	SWF-6V,BUTYL,-,-,-,ID16/OD	1	SA
U0320	6011-001497	BOLT-HEX	M7,L112.5(44),ZPC(YEL),SWRCH18A	1	SA
U0320	6011-001499	BOLT-HEX	M8,L104.5(50),ZPC(YEL),SWCH10AK	2	SA
U0320	DC60-40144A	BOLT-HEX	M10,L41,ZPC2(YEL),SM10C/DAMPER	2	SA
U0353	DC61-60359F	CLAMPER HOSE	F1235AS/F1035AS,-,-,ID15.7,	4	SA
U0353	DC61-60359E	CLAMPER HOSE	F1235AS/F1035AS,-,-,ID7.8,Y	1	SA
U0353	DC61-60497A	CLAMPER HOSE	SWF-P12,HSWR,-,ID70/OD75.8,	1	SA
U0353	DC61-60359E	CLAMPER HOSE	F1235AS/F1035AS,-,-,ID7.8,Y	1	SA
U0353	DC61-00133A	CLAMPER HOSE	P1291,PP(BJ-730),ID24.5,OD2	1	SA
U0354	DC96-00833A	ASSY-SEMI TUB DRUM	J-PJT,J1045A/SSEC/CHI	1	SA
U0355	DC66-60153A	WEIGHT-BALANCER	SWF-P12,CONCRETE,UPPER,	1	SA
U0355	DC67-00065A	WEIGHT-BALANCER	TS0-PJT,CONCREET,-,-,-,-	1	SA
U0356	DC65-10001A	CABLE TIE	DA-140,-,-,-,-	6	SA
U0359	DC62-00066A	FILTER-CASE	-,PP,-,-,-,BLK/SW90V2	1	SA
U0360	DC61-60499B	CLIP-TUB	HSWR,P1291,-,NO/PAINT,	6	SA
U0360	DC61-60520A	CLIP-TUB	SK5,SWF-P12,-,PLATE-TYPE,	2	SA
U0370	DC66-10003A	WIRE-VINYL	SEW-100 JL,PVC,T2.0,-,-	0.15	SA
U0370	DC66-10003A	WIRE-VINYL	SEW-100 JL,PVC,T2.0,-,-	0.56	SA
W0001	DC96-00779A	ASSY-WIRE HARNESS	P1043,CIS-M 55cm/SUB	1	SA
W0002	DC96-00146A	asSY POWER CORD	UCP2,-,250V/16A,-,-,-,-,	1	SA
W0004	DC96-00777A	ASSY-M.WIRE HARNESS	P1043,CIS-M 55cm	1	SA
W0031	DC65-60118J	BAND-RING	-,HSWR,-,-,-,YEL,PI2.0/ID23	1	SA
W0032	DC62-00024F	VALVE-WATER	B1215J,NYLON66/250TRMN,-,-,N	1	SA
Y0040	DC29-00005A	FILTER-EMI	FA-2151T-1,P/PV-PJT,250V,15A,	1	SA
Y0116	DC41-00019A	PCB-MAIN	MFS-R1043-00,FR-1,1,-,T1.6,237*	1	SA
Z0006	DC97-02412B	ASSY-BOLT	SWF-P12,WEIHGT(L)/M8*L147	2	SA
Z0006	DC97-02412C	ASSY-BOLT	SWF-P12,WEIHGT(U)/M8*L215	1	SA
Z0006	DC97-02412A	ASSY-BOLT	SWF-P12,MOTOR, M8*L62	2	SA
Z0006	DC97-02412H	ASSY-BOLT	Q1657,-	1	SA



**This Service Manual is a property of Samsung Electronics Co.,Ltd.
Any unauthorized use of Manual can be punished under applicable
International and/or domestic law.**

© Samsung Electronics Co., Ltd. May 2005
Printed in Korea
Code No. : DC68-02161A