
1. EXPLODED VIEWS AND PARTS LIST

[MATERIAL CODE STANDARDS]

Material codes and names and their respective naming rules are managed in accordance with the prescribed standards. Please refer to these standards when requesting a material.

1. Material Code Type

● : Number

■ : Letter (Alphabet)

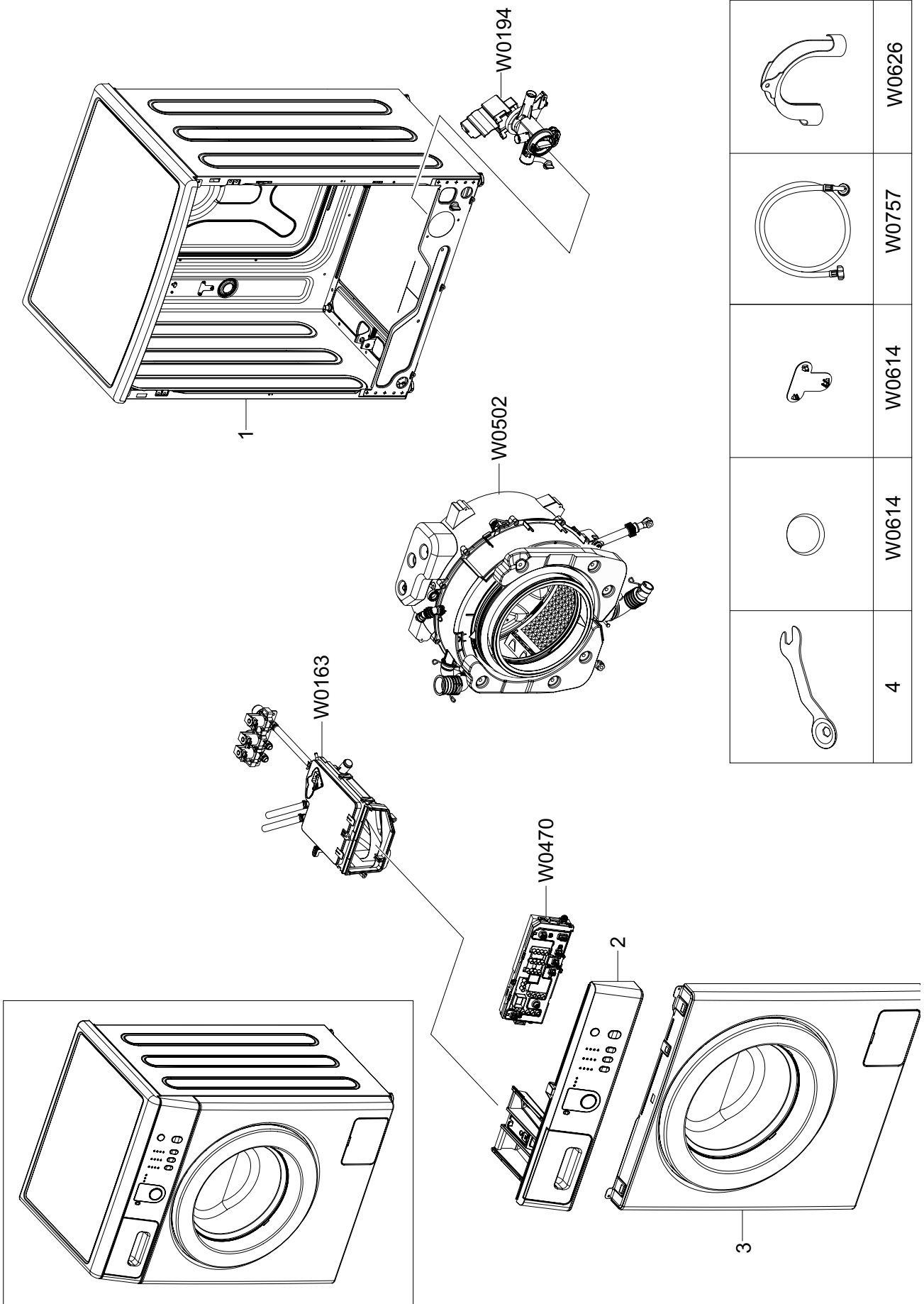
| | | |
|---------------|---|---|
| Type 1 | ●●●●-●●●● ex) 0204-000418 FREON | Enterprise-wide parts Type 1 materials can be used for all Samsung Electronics products. (Most electrical parts belong to this type.) |
| Type 2 | ■ ■ ● ● - ● ● ● ● ■ ex) DC96-01390A ASSY-CONTROL | Division-wide parts (DC**-Washing machine) Type 2 materials can be used for specific products. (Most instruments and tools belong to this type.) |

2. Ass'y Materials

All ass'y material codes start with DC9*.

An ass'y material is created by combining more than two materials. If a requested material cannot be provided, you can request an ass'y material that contains that material.

1. MAIN



| | | | |
|--|-------|-------|-------|
| | W0757 | W0614 | W0626 |
| | W0614 | W0614 | W0614 |
| | 4 | W0614 | W0614 |

MODEL CODE: WF0702NCW/XECService Bom (**SA**: SERVICE AVAILABLE, **SNA**: SERVICE NOT AVAILABLE)

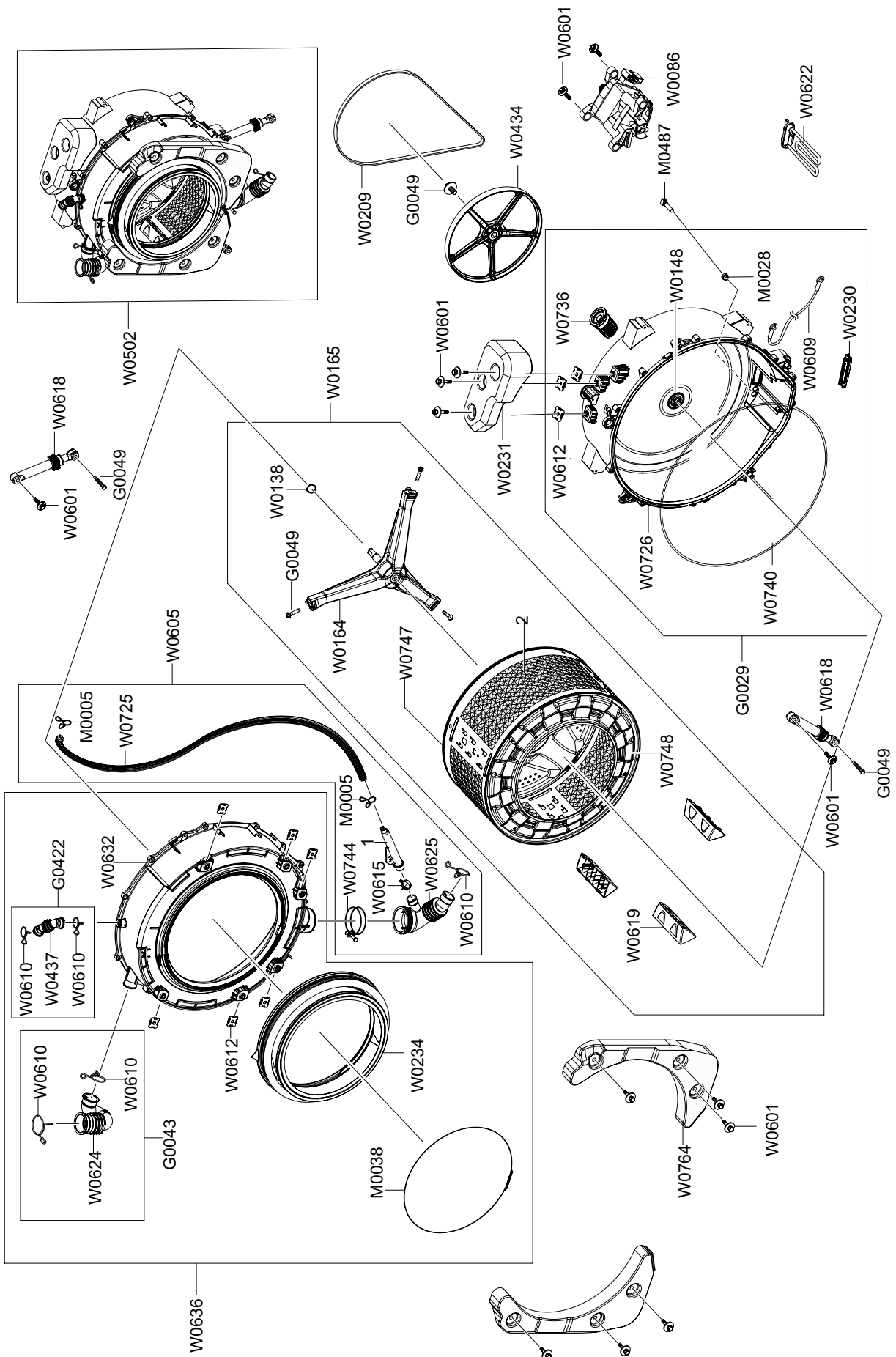
| SVC Code | Code No. | Description | Specification | QTY | Un | SA/SNA |
|----------|-------------|------------------------|--------------------------------|-----|----|--------|
| W0163 | DC97-15204L | ASSY HOUSING DRAWER | AEGIS BIGBANG,WF0702 | 1 | PC | SA |
| W0194 | DC97-15861D | ASSY PUMP DRAIN | AEGIS,NO-BUBBLE,220V 50H | 1 | PC | SA |
| W0470 | DC92-00546A | ASSY PCB MAIN | BBCI-09J12NB-00,WF0702NBE/ | 1 | PC | SA |
| W0626 | DC62-10278A | HOSE HANGER | PUMP MODEL,PP,BLACK | 1 | PC | SA |
| W0757 | DC97-16921A | ASSY HOSE WATER | HEBA,WF8804,REFLEX,BLUE/ | 1 | PC | SA |
| W0614 | DC67-00208B | CAP-FIXER | WF8602NHS/XFA,PP,T1.5,P535-H,B | 1 | PC | SA |
| W0614 | DC67-00251B | CAP-FIXER | WF8602NHS/XFA,PP,T1.8,OD34.7,B | 4 | PC | SA |
| W0502 | DC90-08428B | ASSY TUB&DRUM | WF0700NCW/XEC | 1 | PC | SNA |
| 1 | - | FRAME & COVER PARTS | - | 1 | - | - |
| 2 | - | PANEL-CONTROL & DRAWER | - | 1 | - | - |
| 3 | - | FRAME FRONT&DOOR | - | 1 | - | - |
| 4 | DC60-00104A | FASTENER-BOLT | ALL,CR,OD36,2.5,L113.5 | 1 | PC | SA |

MODEL CODE: WF0702NCW/XEC

Service Bom (SA: SERVICE AVAILABLE, SNA: SERVICE NOT AVAILABLE)

| SVC Code | Code No. | Description | Specification | QTY | Un | SA/SNA |
|----------|-------------|----------------------|---------------------------------|-----|----|--------|
| W0620 | DC29-00009C | FILTER EMI | DFC-2715R,P/PV/P2,250V,15,PI3 | 1 | PC | SA |
| W0616 | DC61-00118A | CLAMPER HOSE-FIX | P1291,PA66,ID27,OD30 | 1 | PC | SA |
| W0630 | DC61-02146A | SPRING ETC-HANGER | AEGIS-PJT,HSWR-SWRH,CD | 2 | PC | SA |
| W0607 | DC96-01703A | ASSY SENSOR PRESSURE | Hook | 1 | PC | SA |
| W0603 | DC98-01189A | ASSY FIXER TUB | Aegis-BB-PJT,WF0702NBE/XE | 4 | PC | SA |
| W0183 | DC97-15914D | ASSY COVER TOP | AEGIS BIG BANG,WF0700NBW/ | 1 | PC | SA |
| W0194 | DC97-15861D | ASSY PUMP DRAIN | AEGIS,NO-BUBBLE,220V 50H | 1 | PC | SA |
| M0022 | DC31-00030A | PUMP-DRAIN | B20-6 / S3001,220V-240V,50Hz, | 1 | PC | SA |
| W0479 | DC61-02173A | CASE PUMP | AEGIS,PP,T3.0,W167,L108,WHT,- | 1 | PC | SA |
| W0633 | DC63-00865A | FILTER PUMP | WF8804DP,PP | 1 | PC | SA |
| W0213 | DC63-01410A | COVER PUMP | COVER-PUMP,PP,T1.3,W50,L77,V0 | 1 | PC | SNA |
| W0248 | DC61-02119A | FRAME PLATE-UP | WF8600NHW,GI-SGCC,NATURAL | 1 | PC | SA |
| W0254 | DC97-15930A | ASSY PAINT FRAME | Aegis BigBang,WF0702NBE | 1 | PC | SA |
| W0616 | DC61-00133A | CLAMPER HOSE-FIX | P1291,PP,-,HOSE+PLUG,BJ | 2 | PC | SNA |
| W0140 | DC61-02140A | GUIDE SPRING | WF8500NMW,POM,T3.5,W24,L40. | 2 | PC | SNA |
| W0623 | DC61-40081A | HOLDER WIRE | DAWH-2NC,PA,-,NATURAL,- | 5 | PC | SA |
| W0629 | DC64-01667A | SHUTTER | AEGIS-PJT,PP,5V-A,NATURAL | 1 | PC | SNA |
| W0506 | DC97-15929A | ASSY FRAME | Aegis-PJT,WF0702NBE/XET,PCM,T | 1 | PC | SNA |
| W0606 | DC97-00920H | ASSY LEG | -,ALL EXCEPT AUSTRALI MODEL,L33 | 4 | PC | SA |
| W0617 | DC63-01028A | COVER BACK | WF0702NBE/XEU,GI-SGCC,T0.4,W3 | 1 | PC | SA |
| G0049 | 6011-002907 | BOLT-HEX | M7,L125,ZPC(YEL),SCM435,TAPPING | 4 | PC | SNA |
| W0110 | DC60-60044B | WASHER PLAIN | SBC,ID8.4/OD30,T2.0 | 4 | PC | SA |
| W0081 | DC96-00146A | ASSY POWER CORD | VDE,UCP2,250V16A,H05VV-F | 1 | PC | SA |
| W0079 | DC93-00230A | ASSY M. WIRE HARNESS | AEGIS-BIG BANG,WF07 | 1 | PC | SA |
| W0604 | DC97-14291D | ASSY HOSE DRAIN(O) | Aegis-PJT,SSEC,-,L175 | 1 | PC | SA |
| 1 | DC61-02221A | GUIDE CUSHION | AEGIS,FRPP,W16.8,L40.8,NTR | 1 | PC | SNA |
| 2 | DC63-00955A | PACKING-PUMP | AEGIS,EPDM,W26.3,L13.2,H14. | 1 | PC | SNA |
| 3 | DC63-00956A | CUSHION PUMP-LEFT | AEGIS,BUTYL,T2.5,W42,L | 1 | PC | SNA |
| 4 | DC64-01317A | HANDLE FILTER | PP,-,- | 1 | PC | SNA |
| 5 | DC67-00244M | HOSE DRAIN | AEGIS,EPDM,ID6,OD10,T2.0,L270 | 1 | PC | SNA |
| 6 | DC69-01232A | PACKING-PUMP | AEGIS,PAPER,EPDM,T3,W45,L22 | 1 | PC | SNA |
| 7 | DC73-00022A | SEAL PACKING | SEW-HVR149ATA,EPDM,BLK,- | 1 | PC | SNA |
| 8 | DC61-10673C | CAP DRAIN | WF1802XEY/XSC,FRPP,BLACK | 1 | PC | SA |
| 9 | DC61-02620A | FIXER TUB | AEGIS-BB-PJT,FRPP,ID8.0/OD25.0 | 4 | PC | SNA |
| 10 | DC73-00024A | FIXER RUBBER | HEBA-PJT,NBR,OD33/ID13.5,H2 | 4 | PC | SNA |

3. ASS'Y TUB DRUM



MODEL CODE: WF0702NCW/XEC

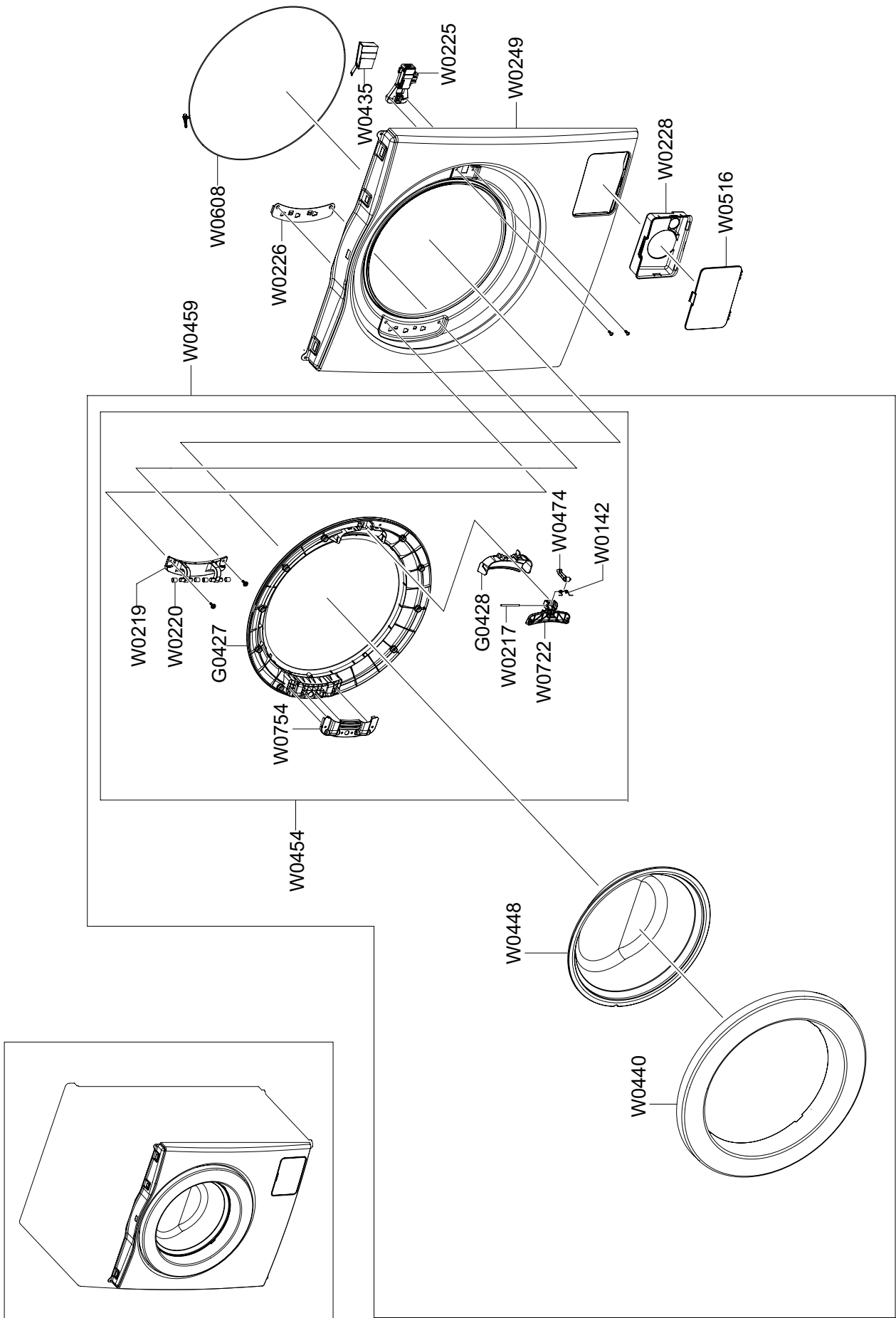
Service Bom (SA: SERVICE AVAILABLE, SNA: SERVICE NOT AVAILABLE)

| SVC Code | Code No. | Description | Specification | QTY | Un | SA/SNA |
|----------|-------------|----------------------|---------------------------------|-----|----|--------|
| W0636 | DC97-15414A | ASSY SEMI TUB FRONT | AEGIS,WF8600WF8602, | 1 | PC | SC |
| W0612 | DC61-40348B | BRACKET NUT | SBHG-R,T3,NO-PAINT | 6 | PC | SNA |
| M0038 | DC91-12077G | ASSY CLAMP DIAPHRAGM | AEGIS,WF8500NHW/YLP | 1 | PC | SNA |
| W0234 | DC64-01664A | DOOR DIAPHRAGM | AEGIS-PJT,EPDM,T1.5/T3.0, | 1 | PC | SA |
| W0632 | DC61-02085D | TUB FRONT | AEGIS-PJT,FRPP,OD549,NATURAL,G | 1 | PC | SNA |
| G0422 | DC97-16906A | ASSY HOSE AIR | AEGIS_PJT,WF8500NMW/YAH,EP | 1 | PC | SNA |
| W0610 | DC65-60125B | CLIP RING | HSWR-SWRH,PI2.4,ID25,- | 2 | PC | SNA |
| W0437 | DC67-00355A | HOSE AIR | AEGIS-PJT,EPDM,ID19.4,OD25.6,T1 | 1 | PC | SNA |
| G0043 | DC97-16907A | ASSY HOSE DRAWER | AEGIS_PJT,WF8500NMW/YAH | 1 | PC | SNA |
| W0610 | DC65-60118R | CLIP RING | AEGIS-PJT,HSWR-SWRH,T3.0,ID37, | 1 | PC | SA |
| W0624 | DC67-00334A | HOSE DRAWER TUB | AEGIS-PJT,EPDM,ID35 | 1 | PC | SA |
| W0610 | DC72-00001G | CLIP RING | HEBA-PJT,HSWR-SWRH,T3.0,ID49.5 | 1 | PC | SNA |
| W0605 | DC97-14637B | ASSY HOSE PRESSURE | AEGIS-PJT,-,-,-,-,- | 1 | PC | SA |
| W0615 | DC61-00219B | CLAMPER HOSE | SK5,WSLS1100A,ID24 OD26.4 | 1 | PC | SNA |
| M0005 | DC61-70029C | CLIP RING | SEW-HW125,HSWR,WHITE | 2 | PC | SNA |
| W0744 | DC65-00021A | CLAMPER HOSE-JOINT | HEBA PJT,HSWR-SWRH,ID | 1 | PC | SNA |
| W0725 | DC67-00230D | HOSE WATER | AEGIS-PJT,TPE,ID4.5,OD8,T1.75 | 1 | PC | SNA |
| W0625 | DC67-00335A | HOSE FILTER TUB | AEGIS-PJT,EPDM,ID64.5 | 1 | PC | SA |
| W0610 | DC72-00001H | CLIP RING | HEBA-PJT,HSWR-SWRH,PI3.0,ID35, | 1 | PC | SNA |
| G0029 | DC97-15236A | ASSY SEMI TUB BACK | 6KG 1200RPM,AEGIS-PJT | 1 | PC | SA |
| W0148 | DC62-00008A | SEAL OIL | NBR,BLACK,-,NBU | 1 | PC | SA |
| W0612 | DC61-40348B | BRACKET NUT | SBHG-R,T3,NO-PAINT | 3 | PC | SNA |
| M0028 | DC69-00824A | PACKING-THERMISTOR | GW-PJT,EPDM,-,-,W17,H | 1 | PC | SNA |
| W0609 | DC93-00015A | ASSY WIRE EARTH | AEGIS,5KG,230V/50HZ,EART | 1 | PC | SA |
| W0230 | DC61-02874A | BRACKET HEATER | WD0704CQR,STAINLESS-ST543 | 1 | PC | SA |
| W0726 | DC61-02087A | TUB BACK | AEGIS 6kg,FRPP,NTR,15%FRPP | 1 | PC | SNA |
| W0165 | DC97-15964D | ASSY DRUM | AEGIS-PJT(ERP),WF600B4BKWQ/EE | 1 | PC | SA |
| W0138 | 6031-001632 | WASHER-WAVE | SK5(SCP1),H2,ID30,OD33.8,T0. | 1 | PC | SNA |
| G0049 | DC60-40137A | BOLT HEX | MARS-PJT,STAINLESS-ST5430,M8,P1 | 3 | PC | SA |
| W0748 | DC66-00520A | DRUM FRONT | AEGIS-PJT,STAINLESS-ST5430,ID | 1 | PC | SNA |
| W0619 | DC66-00523A | DRUM LIFTER | AEGIS-PJT,PP,T2.5,L160.8,TI4 | 3 | PC | SA |
| W0747 | DC66-00593A | DRUM BACK | AEGIS-BIG BANG,STAINLESS-ST543 | 1 | PC | SNA |
| W0164 | DC97-15963B | ASSY FLANGE SHAFT | AEGIS BIGBANG,WF0702NB | 1 | PC | SA |

MODEL CODE: WF0702NCW/XECService Bom (**SA**: SERVICE AVAILABLE, **SNA**: SERVICE NOT AVAILABLE)

| SVC Code | Code No. | Description | Specification | QTY | Un | SA/SNA |
|----------|-------------|----------------------|-----------------------------------|-----|----|--------|
| G0049 | DC60-40144A | BOLT HEX | SM10C,L35,ZPC2(YEL),M10,ZPC2(YE | 2 | PC | SA |
| W0622 | DC47-00006V | HEATER | SU8E6547-V,-,SUS 316L,2000W,8.26~ | 1 | PC | SA |
| W0618 | DC66-00343H | DAMPER SHOCK | AEGIS-PJT,PP,70N,L197.5,BLK | 2 | PC | SA |
| W0231 | DC67-00483A | WEIGHT BALANCER-UP | AEGIS-PJT,CONCRETE,15 | 1 | PC | SA |
| W0764 | DC67-00538A | WEIGHT-BALANCER(F/L) | AEGIS-PJT,CONCRETE, | 1 | PC | SA |
| W0764 | DC67-00539A | WEIGHT-BALANCER(F/R) | AEGIS-PJT,CONCRETE, | 1 | PC | SA |
| W0601 | DC97-02412P | ASSY BOLT | AEGIS-PJT,ALL MODEL(WEIGHT-BAL | 9 | PC | SA |
| W0601 | DC97-14263A | ASSY BOLT | HEBA-PJT,MOTOR/BOLT(M8)+WASHER | 4 | PC | SA |
| G0049 | 6011-001498 | BOLT-HEX | M10,L27,ZPC(YEL),SWRCH10AK,WS/N | 1 | PC | SA |
| W0434 | DC66-00500A | PULLEY MOTOR | HEBA PJT,ALDC,OD296.8,1400R | 1 | PC | SA |
| W0740 | DC62-40183A | PACKING-TUB | SWF-P12,Rubber,EPDM,BLK | 1 | PC | SA |
| W0736 | DC97-15190A | ASSY HOUSING BEARING | AEGIS-PJT,1200RPM/6 | 1 | PC | SA |
| M0487 | DC32-00010A | THERMISTOR | -,11982OHM AT 25□,-,-55~155,- | 1 | PC | SNA |
| W0209 | 6602-001199 | BELT-TIMING GEAR | 1275JMA,POLYURETHAN,T3. | 1 | PC | SA |
| W0086 | DC31-00123F | MOTOR UNIVERSAL-DRUM | UML 5204.01,1400,22 | 1 | PC | SA |
| 1 | DC67-00297A | HOSE JOINT AIR | HEBA&Aegis-PJT,PP,L167.3, | 1 | PC | SNA |
| 2 | DC66-00774A | DRUM WRAPPER | AEGIS-PJT/6.0kg,STAINLESS-S | 1 | PC | SNA |

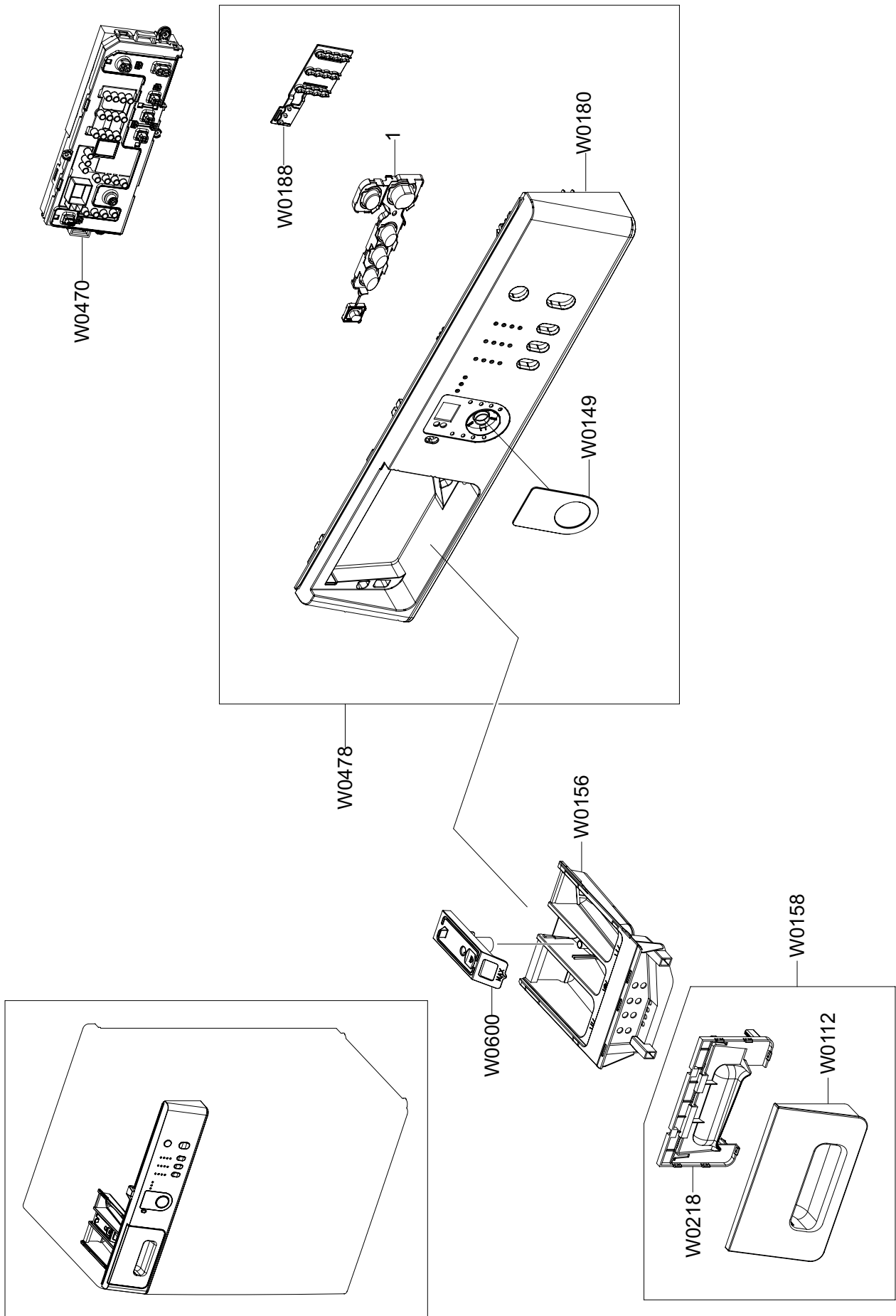
4. ASS'Y FRAME FRONT



MODEL CODE: WF0702NCW/XECService Bom (**SA**: SERVICE AVAILABLE, **SNA**: SERVICE NOT AVAILABLE)

| SVC Code | Code No. | Description | Specification | QTY | Un | SA/SNA |
|----------|-------------|---------------------|-------------------------------|-----|----|--------|
| W0249 | DC61-02089A | FRAME FRONT | WF8500NMW,EGI,WHT,T0.8,Aegis | 1 | PC | SA |
| W0228 | DC61-02091B | GUIDE FILTER | WF8500NMW,PP,T2.0,W149.3,L1 | 1 | PC | SA |
| W0516 | DC63-00921A | COVER-FILTER | WF8500NMW,ABS,T2.0,W115.1,L | 1 | PC | SA |
| W0226 | DC61-02184A | BRACKET HINGE | WF8500NHW,GI-SGCC,T1.4,AEG | 1 | PC | SA |
| W0435 | DC63-00967A | COVER DOOR SWITCH | AEGIS-PJT/ WF8500NHW,P | 1 | PC | SA |
| W0225 | DC64-01538A | DOOR-LOCK S/W | ZV-446L5,PA,W95,L52,WHITE, | 1 | PC | SA |
| W0608 | DC91-12078E | ASSY WIRE DIAPHRAGM | AEGIS,WF8500NHW/YLP, | 1 | PC | SA |
| W0459 | DC97-15194H | ASSY DOOR | AEGIS-2,WF9592FRW,WHT(1PC) | 1 | PC | SNA |
| W0448 | DC64-01790A | DOOR GLASS | AEGIS,GLASS,T5.0,W353.0 | 1 | PC | SA |
| W0454 | DC97-15192C | ASSY HOLDER GLASS | AEGIS-2,WF9592FQW,PP,T | 1 | PC | SA |
| W0220 | DC61-00891A | GUIDE HINGE | HAUZEN(DOM),POM,-,-,-,WHT,HI | 2 | PC | SA |
| G0427 | DC61-02097A | HOLDER GLASS | WF8500NHW,PP,T3.0,OD459.5,- | 1 | PC | SNA |
| W0142 | DC61-02098A | SPRING ETC LEVER | WF8500NHW,STAINLESS-ST5 | 1 | PC | SA |
| W0219 | DC61-02099A | HINGE DOOR | WF8500NHW,ALDC,T8.0,L155,AEGI | 1 | PC | SA |
| W0754 | DC61-02100A | BRACKET HOLDER | WF8500NHW,GI-SGCC,T1.4,AE | 1 | PC | SNA |
| G0428 | DC63-00924A | COVER HANDLE | WF8500NHW,ABS,T2.2,-,L115,- | 1 | PC | SA |
| W0217 | DC64-00564A | HANDLE PIN | Q1636GW/XEU,STS,-,-,-,-,TS- | 1 | PC | SA |
| W0722 | DC64-01948A | HANDLE DOOR | WF9604SQR/XSC,POM,T2.0,WHT,A | 1 | PC | SA |
| W0474 | DC66-00519A | LEVER DOOR | WF8500NHW,ZNDC,T5.7,W10.7,L46 | 1 | PC | SA |
| W0440 | DC63-00923A | COVER DOOR | WF8500NMW,ABS,T2.5,OD460,-,-, | 1 | PC | SC |

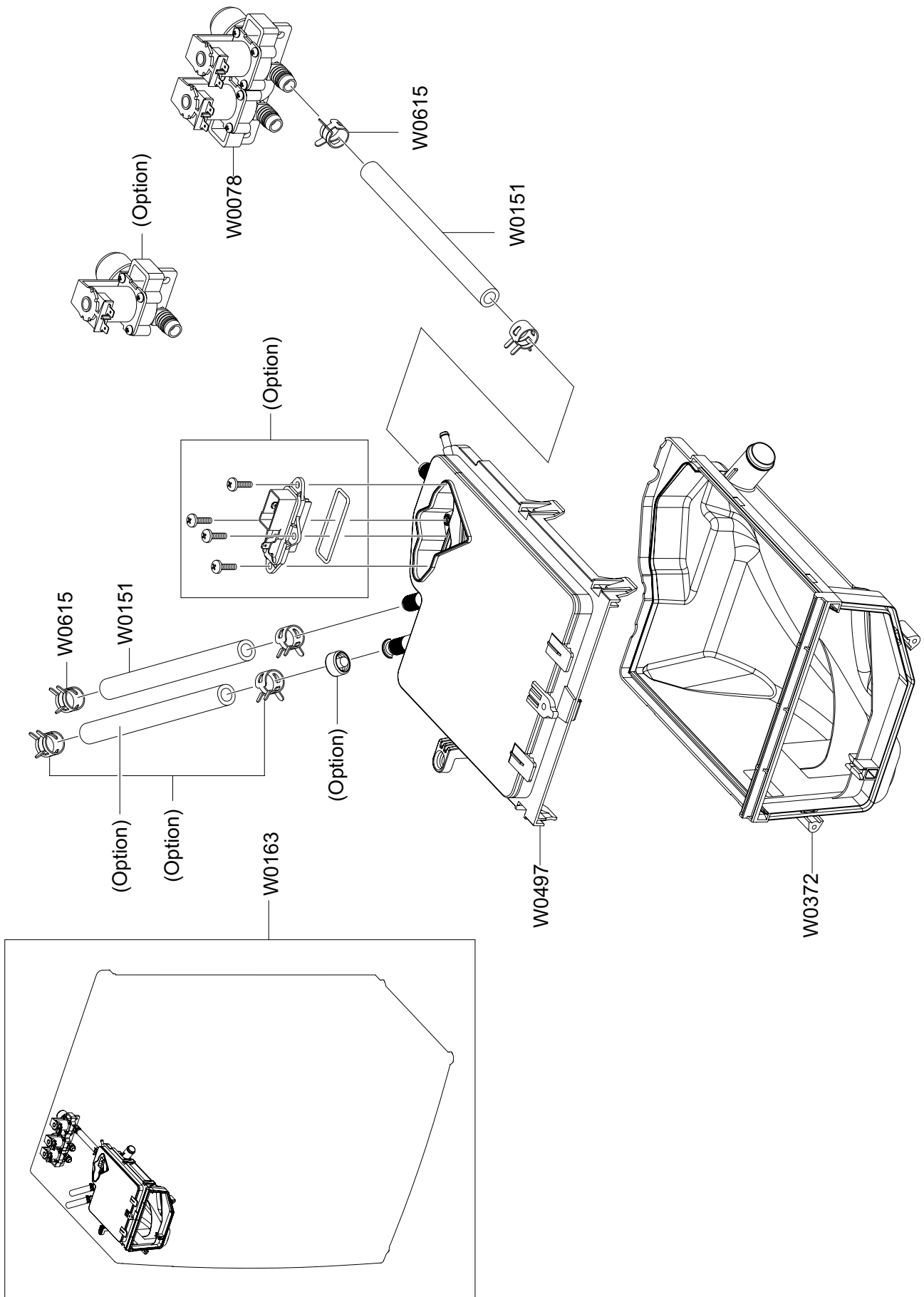
5. PANEL-CONTROL & DRAWER



MODEL CODE: WF0702NCW/XECService Bom (**SA**: SERVICE AVAILABLE, **SNA**: SERVICE NOT AVAILABLE)

| SVC Code | Code No. | Description | Specification | QTY | Un | SA/SNA |
|-----------------|-----------------|--------------------|------------------------------|------------|-----------|---------------|
| W0600 | DC61-02106A | STOPPER DRAWER | WF8500NHW,PP,T2.0,TB53,EC | 1 | PC | SA |
| W0156 | DC61-02107A | BODY DRAWER | WF8500NHW,PP,T2.0,-,-,-,-,AE | 1 | PC | SA |
| W0158 | DC97-15913A | ASSY PANEL DRAWER | AEGIS BIG BANG,WF0752N | 1 | PC | SA |
| W0112 | DC64-02083A | PANEL DRAWER | AEGIS BIG-BANG-PJT,ABS,T2.5 | 1 | PC | SNA |
| W0218 | DC64-02084A | HANDLE DRAWER | AEGIS BIG BANG-PJT,ABS,T2. | 1 | PC | SNA |
| W0478 | DC97-16406A | ASSY PANEL CONTROL | AEGIS-BIG-BANG,WF0702 | 1 | PC | SA |
| W0180 | DC64-02103A | PANEL CONTROL | AEGIS-BIGBANG,ABS,T2.5,DA | 1 | PC | SNA |
| W0188 | DC64-02105A | DECORATION LED | AEGIS-BIGBANG,ABS,CLEAR | 1 | PC | SNA |
| W0149 | DC64-02109A | INLAY PANEL | AEGIS-BIGBANG,PC,T0.5,DA SIL | 1 | PC | SA |
| W0470 | DC92-00546A | ASSY PCB MAIN | BBCI-09J12NB-00,WF0702NBE/ | 1 | PC | SA |
| 1 | DC64-02104A | BUTTON PUSH | AEGIS-BIGBANG,ABS,DA WHITE | 1 | PC | SNA |

6. ASS'Y HOUSING DRAWER



MODEL CODE: WF0702NCW/XECService Bom (**SA**: SERVICE AVAILABLE, **SNA**: SERVICE NOT AVAILABLE)

| SVC Code | Code No. | Description | Specification | QTY | Un | SA/SNA |
|-----------------|-----------------|-----------------------|------------------------------|------------|-----------|---------------|
| W0163 | DC97-15204L | ASSY HOUSING DRAWER | AEGIS BIGBANG,WF0702 | 1 | PC | SA |
| W0372 | DC61-02105A | HOUSING DRAWER-LOW | WF8500NHW,PP,T1.8,NTR | 1 | PC | SNA |
| W0078 | DC62-00024F | VALVE WATER | 220-240,10,D-2 | 1 | PC | SA |
| W0497 | DC97-15234A | ASSY S.HOUSING DRAWER | WF8500NHW,NO-AG+/S | 1 | PC | SNA |
| W0615 | DC65-00008B | CLAMPER HOSE | SSEC-GE,SK5,ID14.2,ZPC2,T1. | 4 | PC | SNA |
| W0151 | DC67-00051F | HOSE DRAWER | WF8502NHW,EPDM,ID9.0,OD14.5, | 0.4 | M | SNA |

7. PARTS LIST (OTHERS SA/SC)

MODEL CODE: WF0702NCW/XEC

Service Bom (SA: SERVICE AVAILABLE, SNA: SERVICE NOT AVAILABLE)

| SVC Code | Code No. | Description | Specification | QTY | Un | SA/SNA |
|----------|-------------|---------------|----------------------------|-----|----|--------|
| | 6003-001563 | SCREW-TAPTYPE | TH,+,S,M4,L8,NI PLT,SWRCH1 | 2 | PC | SA |
| W0085 | 6001-001773 | SCREW-MACHINE | TH,+,-,M5,L12,PASS,STS430, | 2 | PC | SA |
| W0193 | DC64-02110A | KNOB ENCODER | AEGIS-BIGBANG,ABS,DA WHITE | 1 | PC | SA |

8. PARTS LIST (SCREW PARTS)

MODEL CODE: WF0702NCW/XEC

Service Bom (SA: SERVICE AVAILABLE, SNA: SERVICE NOT AVAILABLE)

| SVC Code | Code No. | Description | Specification | QTY | Un | SA/ SNA |
|----------|-------------|---------------|--------------------------------|-----|----|------------|
| W0105 | 6002-000445 | SCREW-TAPPING | TH,+ ,NO,2,M4,L18,PASS,STS4 | 4 | PC | SNA |
| W0105 | 6002-000520 | SCREW-TAPPING | TH,+,-,2,M4,L12,ZPC(WHT),S | 1 | PC | SNA |
| W0105 | 6002-001327 | SCREW-TAPPING | PWH,+ ,1,M4,L12,ZPC(WHT),SW | 2 | PC | SNA |
| W0105 | 6006-001174 | SCREW-TAPPING | TH,+ ,WE,2S,M4,L12,ZPC(WHT) | 5 | PC | SNA |
| W0102 | 6009-001343 | SCREW-SPECIAL | PH,TORX,M4,L12,ZPC(WHT),SW | 1 | PC | SNA |
| W0105 | 6002-001436 | SCREW-TAPPING | PH,+ ,2,M4,L18,ZPC(WHT),SWR | 3 | PC | SNA |
| | 6003-001563 | SCREW-TAPTYPE | TH,+ ,S,M4,L8,NI PLT,SWRCH1 | 2 | PC | SA |
| W0105 | 6002-000520 | SCREW-TAPPING | TH,+,-,2,M4,L12,ZPC(WHT),S | 4 | PC | SNA |
| W0105 | 6006-001174 | SCREW-TAPPING | TH,+ ,WE,2S,M4,L12,ZPC(WHT) | 5 | PC | SNA |
| W0105 | 6002-000632 | SCREW-TAPPING | PH,+,-,2S,M4,L16,ZPC(WHT), | 2 | PC | SNA |
| W0105 | 6002-001327 | SCREW-TAPPING | PWH,+ ,1,M4,L12,ZPC(WHT),SW | 2 | PC | SNA |
| W0105 | 6006-001174 | SCREW-TAPPING | TH,+ ,WE,2S,M4,L12,ZPC(WHT) | 2 | PC | SNA |
| W0105 | DE60-10080A | SCREW-TAPPING | PWH,+,-,2S,M5,L9,-,SWRCH18 | 2 | PC | SNA |
| F0056 | 6003-001768 | SCREW-TAPTYPE | TH,+ ,WT,S,M4,L10,ZPC(WHT), | 3 | PC | SNA |
| W0085 | 6001-001773 | SCREW-MACHINE | TH,+,-,M5,L12,PASS,STS430, | 2 | PC | SA |
| W0105 | 6002-000520 | SCREW-TAPPING | TH,+,-,2,M4,L12,ZPC(WHT),S | 4 | PC | SNA |
| W0105 | 6002-001436 | SCREW-TAPPING | PH,+ ,2,M4,L18,ZPC(WHT),SWR | 3 | PC | SNA |
| | 6002-001554 | SCREW-TAPPING | TH,+ ,No,1,M4,L12,STS430,HE | 8 | PC | SNA |
| G0010 | 6003-000269 | SCREW-TAPTYPE | BH,+,-,S,M3,L6,ZPC(WHT),SW | 2 | PC | SNA |
| | 6002-000440 | SCREW-TAPPING | PWH,+ ,2,M3,L8,ZPC(BLK),SWR | 2 | PC | SNA |
| | 6002-001554 | SCREW-TAPPING | TH,+ ,No,1,M4,L12,STS430,HE | 2 | PC | SNA |
| W0105 | 6002-000520 | SCREW-TAPPING | TH,+,-,2,M4,L12,ZPC(WHT),S | 1 | PC | SNA |
| W0105 | 6002-000520 | SCREW-TAPPING | TH,+,-,2,M4,L12,ZPC(WHT),S | 1 | PC | SNA |
| G0425 | 6009-001367 | SCREW-HEX | HWH,+,-,M6.5,L32,ZPC(WHT),SWRC | 14 | PC | SNA |
| W0105 | 6002-001006 | SCREW-TAPPING | TH,+,-,2S,M4,L12,PASS,STS4 | 2 | PC | SNA |
| F0056 | 6003-001768 | SCREW-TAPTYPE | TH,+ ,WT,S,M4,L10,ZPC(WHT), | 1 | PC | SNA |