

5. EXPLODED VIEWS AND PARTS LIST



[MATERIAL CODE STANDARDS]

Material codes and names and their respective naming rules are managed in accordance with the prescribed standards. Please refer to these standards when requesting a material.

1. Material Code Type

● : Number

■ : Letter (Alphabet)

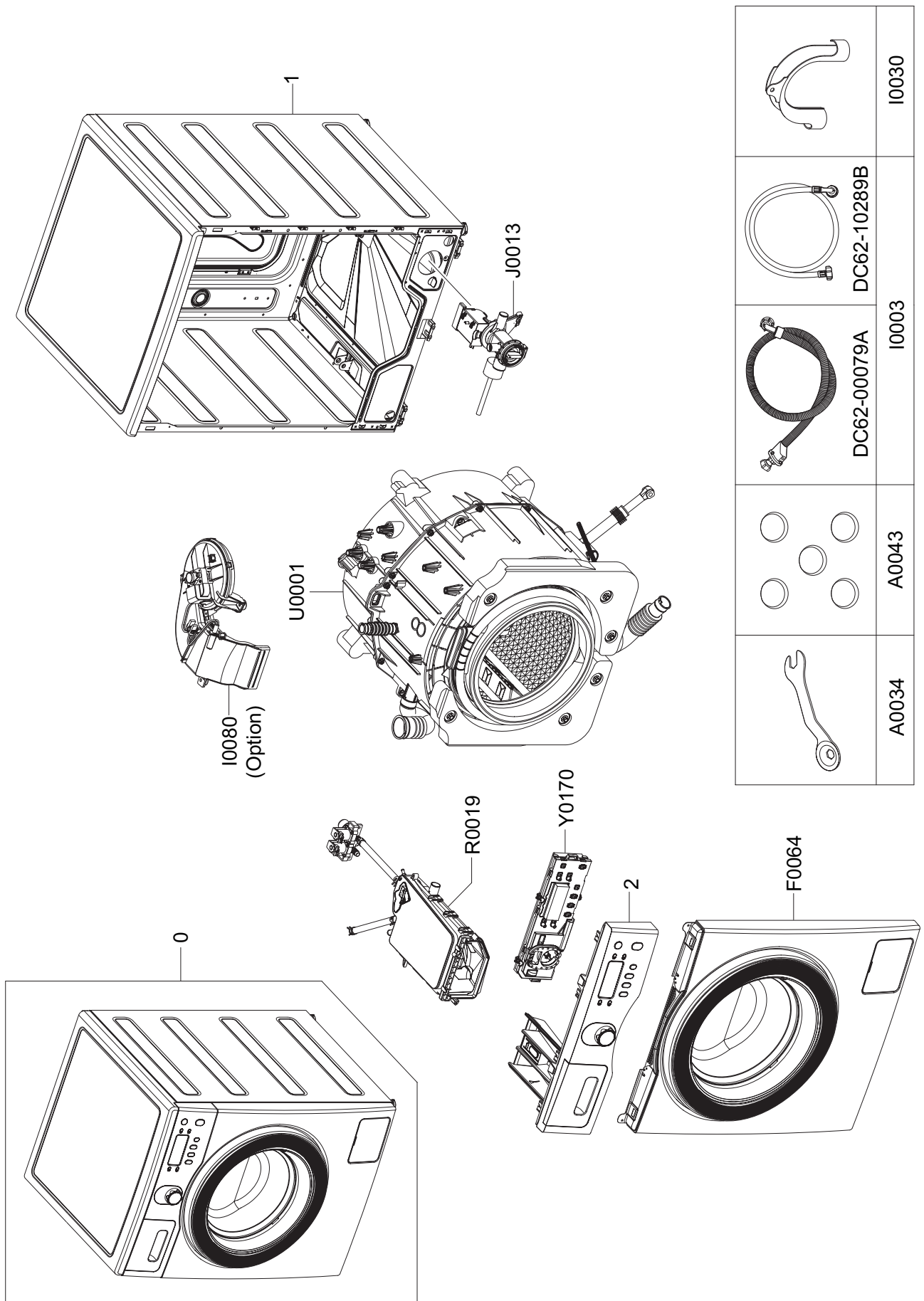
Type 1	 ex) 0204-000418 FREON	Enterprise-wide parts Type 1 materials can be used for all Samsung Electronics products. (Most electrical parts belong to this type.)
Type 2	 ex) DC96-01390A ASSY-CONTROL	Division-wide parts (DC**-Washing machine) Type 2 materials can be used for specific products. (Most instruments and tools belong to this type.)




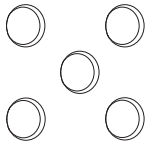

2. Ass'y Materials

All ass'y material codes start with DC9*.

An ass'y material is created by combining more than two materials. If a requested material cannot be provided, you can request an ass'y material that contains that material.

5-1. MAIN



	I0030
	DC62-10289B
	DC62-00079A I0003
	A0043
	A0034

MODEL CODE: WF8802DPF/XETService Bom (**SA**: SERVICE AVAILABLE, **SNA**: SERVICE NOT AVAILABLE)

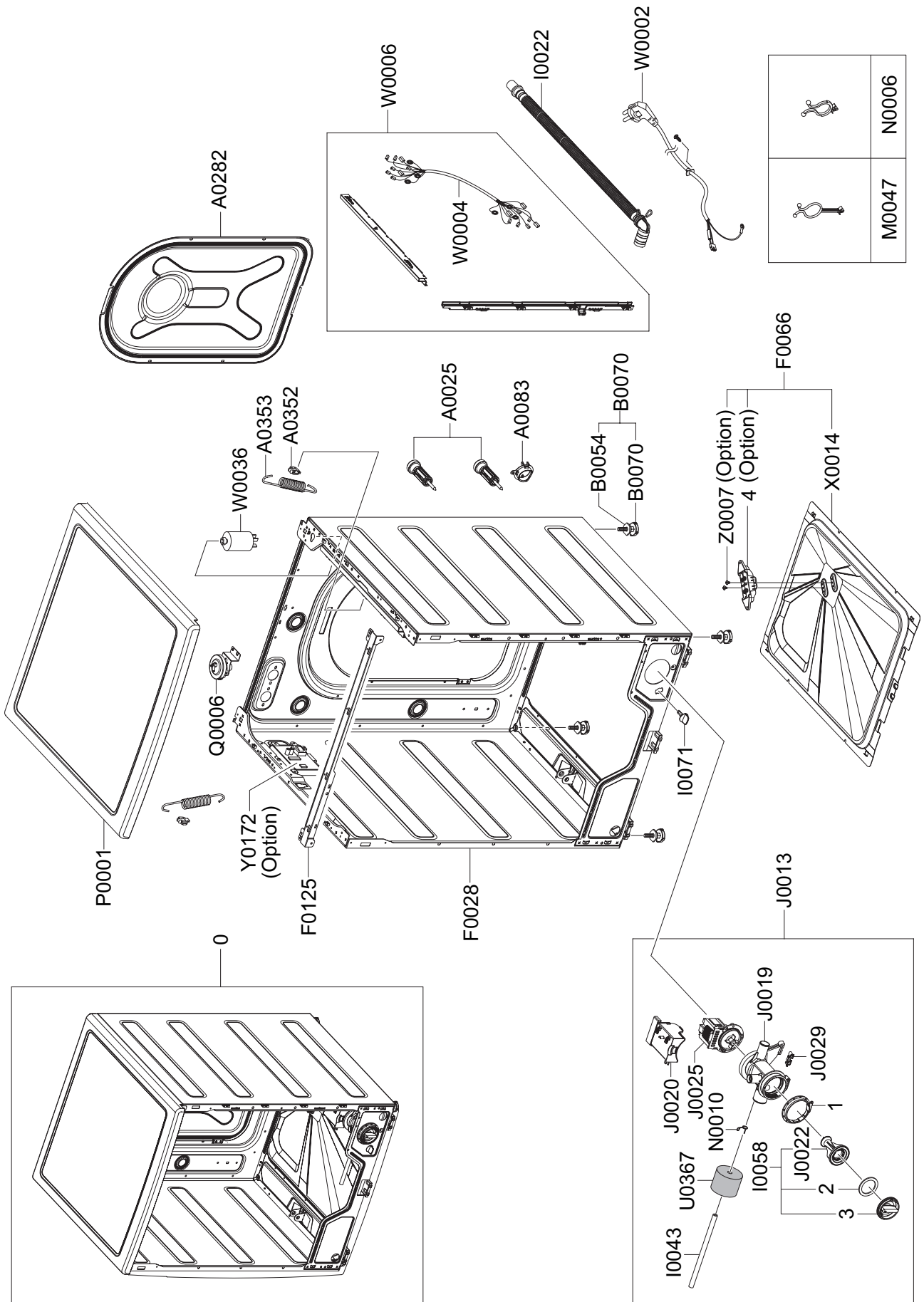
SVC Code	Code No.	Description	Specification	QTY	Un	SA/SNA
A0034	DC60-40146A	BOLT-SPANER	-,HR,-,T2.3,OD36,-,BLK,-,-	1	PC	SA
A0043	DC67-00251A	CAP-FIXER	SEW-6HR115B,PP,-,-,-,META2-P	5	PC	SNA
F0064	DC97-14342B	ASSY-FRAME FRONT	WF8802DPF,CR+SILVER DOO	1	PC	SNA
I0003	DC62-00079A	HOSE-WATER	P1405J,PVC+NYLON,-,-,-,L1500,	1	PC	SA
I0030	DC62-10278A	HOSE-HANGER	-,PP(JS20),-,-,-,NTR,-	1	PC	SNA
I0080	DC97-14537A	ASSY-AIR WASH	WF8804DP,AIRWASH, MOTOR+PT	1	PC	SA
J0013	DC96-01533A	ASSY-PUMP DRAIN	WF8804DP,ADV-FILTER/ISOL	1	PC	SNA
R0019	DC97-14654A	ASSY-HOUSING DRAWER	WF8804DP,HEBA-PJT/Ag	1	PC	SA
U0001	DC97-15128A	ASSY-TUB&DRUM	WF8802DPF,WHITE BODY/CR DO	1	PC	SNA
Y0170	MF-HWQ2CPC-00	ASSY-PCB PARTS	MF-HWQ2CPC-00	1	PC	SA
5.1-0	WF8802DPF_XET	SET		1		
5.1-1		FRAME & COVER PARTS	Refer to 5.2 Frame & Cover Parts	1		
5.1-2		Panel-Control & Drawer	Refer to 5.4 Control & Drawer	1		

MODEL CODE: WF8804APA/XENService Bom (**SA**: SERVICE AVAILABLE, **SNA**: SERVICE NOT AVAILABLE)

SVC Code	Code No.	Description	Specification	QTY	Un	SA/SNA
A0034	DC60-40146A	BOLT-SPANER	-,HR,-,T2.3,OD36,-,BLK,-,-	1	PC	SA
A0043	DC67-00251A	CAP-FIXER	SEW-6HR115B,PP,-,-,-,-,META2-P	5	PC	SNA
F0064	DC97-14342A	ASSY-FRAME FRONT	WF8804DP,CR DOOR + DA W	1	PC	SA
I0003	DC62-00079A	HOSE-WATER	P1405J,PVC+NYLON,-,-,-,L1500,	1	PC	SA
I0030	DC62-10278A	HOSE-HANGER	-,PP(JS20),-,-,-,-,NTR,-	1	PC	SNA
J0013	DC96-01533A	ASSY-PUMP DRAIN	WF8804DP,ADV-FILTER/ISOL	1	PC	SNA
R0019	DC97-14654B	ASSY-HOUSING DRAWER	WF8804DP,HEBA-PJT/CO	1	PC	SA
U0001	DC90-00049A	ASSY TUB&DRUM	HEBA,WF8804APA/XEN	1	PC	SNA
Y0170	MF-HWQ4APC-00	ASSY-PCB PARTS	MF-HWQ4APC-00	1	PC	SA
5.1-0	WF8804APA_XEN	SET		1		
5.1-1		FRAME & COVER PARTS	Refer to 5.2 Frame & Cover Parts	1		
5.1-2		Panel-Control & Drawer	Refer to 5.4 Control & Drawer	1		

MEMO

5-2. FRAME & COVER PARTS



	M0047
	N0006

MODEL CODE: WF8802DPF/XET

Service Bom (SA: SERVICE AVAILABLE, SNA: SERVICE NOT AVAILABLE)

SVC Code	Code No.	Description	Specification	QTY	Un	SA/SNA
A0025	DC97-14653A	ASSY-FIXER TUB	WF8804DP,HEBA-PJT	5	PC	SA
A0083	DC61-00274A	GUIDE-HOSE	P/PV/M,PP,-,-,-,WHT,FRAME/DRA	1	PC	SA
A0282	DC97-15019A	ASSY-COVER BACK	HEBA ALL,COVER BACK + SP	1	PC	SA
A0352	DC61-01548A	GUIDE-SPRING	GW-PJT,POM,-,-,-,NTR,-	2	PC	SA
A0353	DC61-02029A	SPRING ETC-HANGER	HEBA,HSWR,CD3.5,ID24.8	2	PC	SA
B0054	6021-001198	NUT-ETC	1C,M10,ZPC(YEL),SWRC10A,P1.5/W	1	PC	SNA
B0070	DC97-00920C	ASSY-LEG	SEW-HW108,-	4	PC	SC
B0070	DC97-00920B	ASSY-LEG	SEW-DR605WB,BUILT-IN/BOLT+BUTY	1	PC	SNA
F0028	DC97-14657A	ASSY-FRAME	WF8804DP,HEBA-PJT ASSY-FRAME	1	PC	SA
F0066	DC97-14642A	ASSY-PLATE BOTTOM	ASSY-PLATE BOTTOM,LEAK	1	PC	SA
F0125	DC61-01927A	FRAME-PLATE(U)	HEBA-PJT,GI,-,-,-,T1.2,-	1	PC	SA
I0022	DC97-02250Q	ASSY-HOSE DRAIN(O)	(HEBA)WF8802DP,-	1	PC	SA
I0043	DC67-00244A	HOSE-DRAIN	HOSE-DRAIN,EPDM,ID6,OD11,T2.5	1	PC	SA
I0058	DC97-14278A	ASSY-FILTER	HEBA-PJT,ASSY-FILTER	1	PC	SA
I0071	DC61-10673A	CAP-DRAIN	SWF-P12,PP(TB53),-,-,-,WHT,-	1	PC	SNA
J0013	DC96-01533A	ASSY-PUMP DRAIN	WF8804DP,ADV-FILTER/ISOL	1	PC	SNA
J0019	DC61-01951A	CASE-PUMP	WF8804DP,PP,T2.5,W128,L108,-,-	1	PC	SA
J0020	DC63-00830A	COVER-PUMP	COVER-PUMP,PP,T1.3,W60.5,L75,	1	PC	SNA
J0022	DC63-00865A	FILTER-PUMP	WF8804DP,PP,T1.7,W53,L66.95,	1	PC	SNA
J0025	DC31-30008D	PUMP-DRAIN	SW-70XP,220/240V,50Hz,SYNCHRO	1	PC	SC
J0029	DC63-00905A	CUSHION-PUMP	WF8802DPF/XET,NBR,-,W37.6,L	1	PC	SNA
M0047	DC61-01736B	HOLDER-WIRE	WF337AAW,NYLON66,OD31,H15,L1	1	PC	SNA
N0006	DC61-40081A	HOLDER-WIRE	DAWH-2NC,NYLON66,-,-,-,NTR	5	PC	SNA
N0010	DD65-00001F	CLAMPER HOSE	SDW-H120,STEEL,-,D10.5/T1.2	1	PC	SNA
P0001	DC97-14953A	ASSY-COVER TOP	HEBA-PJT,SHEET PARTICLE (1	PC	SA
Q0006	DC97-00731A	ASSY-SENSOR PRESSURE	P1091,S-PRE+BRACKET+	1	PC	SC
U0367	DC63-10003C	SPONGE-HOSE AIR	POL,GRY,SWF-P12,HB22-GRE	1	PC	SNA
W0002	DC96-00146A	ASSY POWER CORD	UCP2,Europe,250V/16A,150	1	PC	SA
W0004	DC96-01569B	ASSY-M.WIRE HARNESS	HEBA-PJT,AIR WASH/AG	1	PC	SNA
W0006	DC96-01646B	ASSY-M.GUIDE WIRE HARNESS	HEBA-PJT,GUDIE	1	PC	SA
W0036	DC29-00005B	FILTER-EMI	FA-2151T-2,1.2MM NUT,250V,15A	1	PC	SC
X0014	DC61-01938A	PLATE-BOTTOM	HEBA-PJT,GI,T0.8,-,-,-,-	1	PC	SNA
Y0172	MES-AG3MOD-S3	ASSY-PCB PARTS(S)	BASIC MES-AG3MOD-S2	1	PC	SA
5.2-0		FRAME & COVER PARTS	Refer to 5.2 Frame & Cover Parts	1		
5.2-1	DC69-01128A	PACKING-PUMP	WF8804DP,RUB-OTH,-,T2.5,W74	1	PC	SNA
5.2-2	DC73-00022A	RUBBER-PACKING	SEW-HVR149ATA,EPDM,-,40,-	1	PC	SNA
5.2-3	DC64-01317A	HANDLE-FILTER	HANDLE-FILTER,PP,T2.5,W55,	1	PC	SNA

MODEL CODE: WF8804APA/XEN

Service Bom (SA: SERVICE AVAILABLE, SNA: SERVICE NOT AVAILABLE)

SVC Code	Code No.	Description	Specification	QTY	Un	SA/SNA
A0025	DC97-14653A	ASSY-FIXER TUB	WF8804DP,HEBA-PJT	5	PC	SA
A0083	DC61-00274A	GUIDE-HOSE	P/PV/M,PP,-,-,-,WHT,FRAME/DRA	1	PC	SA
A0282	DC97-15019A	ASSY-COVER BACK	HEBA ALL,COVER BACK + SP	1	PC	SA
A0352	DC61-01548A	GUIDE-SPRING	GW-PJT,POM,-,-,-,NTR,-	2	PC	SA
A0353	DC61-02029A	SPRING ETC-HANGER	HEBA,HSWR,CD3.5,ID24.8	2	PC	SA
B0054	6021-001198	NUT-ETC	1C,M10,ZPC(YEL),SWRC10A,P1.5/W	1	PC	SNA
B0070	DC97-00920C	ASSY-LEG	SEW-HW108,-	4	PC	SC
B0070	DC97-00920B	ASSY-LEG	SEW-DR605WB,BUILT-IN/BOLT+BUTY	1	PC	SNA
F0028	DC97-14657A	ASSY-FRAME	WF8804DP,HEBA-PJT ASSY-FRAME	1	PC	SA
F0066	DC97-14642B	ASSY-PLATE BOTTOM	ASSY-PLATE BOTTOM,NON	1	PC	SA
F0125	DC61-01927A	FRAME-PLATE(U)	HEBA-PJT,GI,-,-,-,T1.2,-	1	PC	SA
I0022	DC97-02250Q	ASSY-HOSE DRAIN(O)	(HEBA)WF8802DP,-	1	PC	SA
I0043	DC67-00244A	HOSE-DRAIN	HOSE-DRAIN,EPDM,ID6,OD11,T2.5	1	PC	SA
I0058	DC97-14278A	ASSY-FILTER	HEBA-PJT,ASSY-FILTER	1	PC	SA
I0071	DC61-10673A	CAP-DRAIN	SWF-P12,PP(TB53),-,-,-,WHT,-	1	PC	SNA
J0013	DC96-01533A	ASSY-PUMP DRAIN	WF8804DP,ADV-FILTER/ISOL	1	PC	SNA
J0019	DC61-01951A	CASE-PUMP	WF8804DP,PP,T2.5,W128,L108,-,-	1	PC	SA
J0020	DC63-00830A	COVER-PUMP	COVER-PUMP,PP,T1.3,W60.5,L75,	1	PC	SNA
J0022	DC63-00865A	FILTER-PUMP	WF8804DP,PP,T1.7,W53,L66.95,	1	PC	SNA
J0025	DC31-30008D	PUMP-DRAIN	SW-70XP,220/240V,50Hz,SYNCHRO	1	PC	SC
J0029	DC63-00905A	CUSHION-PUMP	WF8802DPF/XET,NBR,-,W37.6,L	1	PC	SNA
M0047	DC61-01736B	HOLDER-WIRE	WF337AAW,NYLON66,OD31,H15,L1	1	PC	SNA
N0006	DC61-40081A	HOLDER-WIRE	DAWH-2NC,NYLON66,-,-,-,NTR	3	PC	SNA
N0006	DC61-40081A	HOLDER-WIRE	DAWH-2NC,NYLON66,-,-,-,NTR	5	PC	SNA
N0010	DD65-00001F	CLAMPER HOSE	SDW-H120,STEEL,-,D10.5/T1.2	1	PC	SNA
P0001	DC97-14953A	ASSY-COVER TOP	HEBA-PJT,SHEET PARTICLE (1	PC	SA
P0004	DC63-00857B	SHEET-PARTICLE	HEBA-PJT,WOOD,T9.2,W544.6	1	PC	SNA
Q0006	DC97-00731A	ASSY-SENSOR PRESSURE	P1091,S-PRE+BRAKET+	1	PC	SC
U0367	DC63-10003C	SPONGE-HOSE AIR	POL,GRY,SWF-P12,HB22-GRE	1	PC	SNA
W0002	DC96-00146A	ASSY POWER CORD	UCP2,Europe,250V/16A,150	1	PC	SA
W0004	DC96-01569F	ASSY-M.WIRE HARNESS	HEBA-PJT,WATER-SAFET	1	PC	SA
W0006	DC96-01646F	ASSY-M.GUIDE WIRE HARNESS	HEBA-PJT,GUDIE	1	PC	SA
W0036	DC29-00005B	FILTER-EMI	FA-2151T-2,1.2MM NUT,250V,15A	1	PC	SC
X0014	DC61-01938A	PLATE-BOTTOM	HEBA-PJT,GI,T0.8,-,-,-,-	1	PC	SNA
Z0007	6002-000239	SCREW-TAPPING	TH,+,-,2S,M4,L8,ZPC(WHT),S	2	PC	SNA
5.2-0		FRAME & COVER PARTS	Refer to 5.2 Frame & Cover Parts	1		
5.2-1	DC69-01128A	PACKING-PUMP	WF8804DP,RUB-OTH,-,T2.5,W74	1	PC	SNA
5.2-2	DC73-00022A	RUBBER-PACKING	SEW-HVR149ATA,EPDM,-,40,-	1	PC	SNA
5.2-3	DC64-01317A	HANDLE-FILTER	HANDLE-FILTER,PP,T2.5,W55,	1	PC	SNA
5.2-4	DC96-01610A	ASSY-SENSOR POLE	HEBA-PJT,-	1	PC	SNA

MEMO

MODEL CODE: WF8802DPF/XET

Service Bom (SA: SERVICE AVAILABLE, SNA: SERVICE NOT AVAILABLE)

SVC Code	Code No.	Description	Specification	QTY	Un	SA/SNA
B0010	DC65-00021A	CLAMPER HOSE-JOINT	HEBA PJT,HSWR,-,ID67/	1	PC	SNA
F0225	DC67-00296A	WEIGHT-BALANCER(U)	HEBA-PJT,CONCRETE,-,-	1	PC	SNA
H0094	DC31-00002M	MOTOR UNIVERSAL-DRUM	MCC 52/64-148/SEC4,	1	PC	SA
I0003	DC67-00230B	HOSE-WATER	WF316,EPDM,ID4.5,OD8.0,T1.75,	1	PC	SA
I0044	DC97-14637A	ASSY-HOSE PRESSURE	HEBA PJT,-	1	PC	SA
I0045	DC67-00298A	HOSE-AIR	HEBA PJT,EPDM,-,-,T2.5,-,BLK,-	1	PC	SNA
I0046	DC67-00292A	HOSE-DRAWER TUB	HEBA-PJT,EPDM,ID36.5,OD4	1	PC	SA
I0065	DC67-00293A	HOSE-FILTER TUB	HEBA-PJT,EPDM,-,-,T2.5,-	1	PC	SA
I0081	DC97-14873A	ASSY-HOSE AIR	WF8804DP,HOSE-AIR+BAND-RIN	1	PC	SA
I0082	DC97-14874A	ASSY-HOSE DRAWER	WF8804DP,HOSE-DRAWER+BA	1	PC	SA
N0008	DC61-70029C	SPRING-CLIP	SEW-HW125,HSWR67,CD1.2,ID8.5	2	PC	SA
R0001	DC97-14371A	ASSY-DRUM	HEBA PJT,8KG/1400RPM/6306/6305	1	PC	SA
R0002	DC66-00489A	DRUM-FRONT	HEBA PJT,STS430,ID492,OD492.4	1	PC	SNA
R0003	DC66-00491A	DRUM-WRAPPER	HEBA PJT/8.0kg,STS430/T0.5,	1	PC	SNA
R0005	DC66-00492A	DRUM-BACK	HEBA PJT,STS430/T0.5,ID492,OD4	1	PC	SNA
R0006	DC66-00493A	DRUM-LIFTER	HEBA PJT,PP,-,-,L246,NTR,7/8	3	PC	SA
R0007	DC97-14369A	ASSY-FLANGE SHAFT	HEBA PJT,8KG/1400RPM/6	1	PC	SA
R0175	DC97-14618A	ASSY-CLAMP DIAPHRAGM	WF8804DP,OD2.0/L243	1	PC	SA
U0001	DC97-15128A	ASSY-TUB&DRUM	WF8802DPF,WHITE BODY/CR DO	1	PC	SNA
U0016	DC62-00008A	SEAL-OIL	-,NBR(SD35),BLK,-,-,-,NBU(PI15	1	PC	SA
U0029	DC64-01537A	DOOR-DIAPHRAGM	HEBA-PJT,EPDM,T2.0,-,-,-,	1	PC	SA
U0030	DC61-01932A	TUB-FRONT	HEBA PJT,FRPP-GF15%,ID528,OD57	1	PC	SA
U0095	6602-001199	BELT-TIMING GEAR	1275JMA,POLYURETHAN,T3.	1	PC	SA
U0116	DC61-01088A	BUSH-MOTOR	Q1636,NYLON6,ID16,OD20,L21.5,	2	PC	SNA
U0133	DC66-00343D	DAMPER-SHOCK	GW-PJT,STEEL+PP+RUBBER,80N,	2	PC	SA
U0183	DC67-00297A	HOSE-JOINT AIR	HEBA-PJT,ABS,ID22,OD26,T2	1	PC	SNA
U0221	DC66-00500A	PULLEY-MOTOR	HEBA PJT,ALDC8,-,-,-,OD296.	1	PC	SA
U0320	DC60-40144A	BOLT-HEX	M10,L41,ZPC2(YEL),SM10C/DAMPER	2	PC	SC
U0353	6031-001531	WASHER-PLAIN	SCP1,-,ID7,OD14,T0.8,ZPC2(Y	1	PC	SNA
U0358	DC47-00006V	HEATER	SU8E6547-V,-,SUS 316L,2000W,8.	1	PC	SA
U0363	DC63-00889A	COVER-HEATER	WF438AAG,PP,T2.0,W160.0,L80	1	PC	SNA
U0365	DC97-06080A	ASSY-BOLT	SEW-3HR107,BOLT+WASHER	1	PC	SA
U0365	DC97-14263A	ASSY-BOLT	HEBA-PJT,MOTOR/BOLT(M8)+WASHER	4	PC	SA
U0365	DC97-14264A	ASSY-BOLT	HEBA-PJT,WEIGHT-BALANCER/BOLT(6	PC	SNA
U0367	DC63-10003C	SPONGE-HOSE AIR	POL,GRY,SWF-P12,HB22-GRE	2	PC	SNA
U0402	DC97-15011A	ASSY-S.TUB BACK	WF8*,HEBA/SVC	1	PC	SA
W0001	DC96-01327B	ASSY-WIRE HARNESS	HEBA-PJT,TUB EARTH WIR	1	PC	SA
W0005	DC97-14827B	ASSY-HEATER	WF8802DP,NORMAL HEATER	1	PC	SA
W0031	DC72-00001H	BAND-RING	HEBA-PJT,HSWR,PI3.0,ID35,-,WHT	1	PC	SA
W0031	DC65-60125B	BAND-RING	-,HSWR,T2.4,PI25,-,YEL,-	1	PC	SNA
W0031	DC65-60125B	BAND-RING	-,HSWR,T2.4,PI25,-,YEL,-	2	PC	SNA
W0031	DC65-60118E	BAND-RING	HEBA-PJT,HSWR,PI3.0,ID36.5,L18	1	PC	SNA
W0031	DC72-00001G	BAND-RING	HEBA-PJT,HSWR,PI3.0,W21.5,ID49	1	PC	SNA
W0035	DC32-00010A	THERMISTOR	-,11982OHM AT 25#,-,-55~155,-	1	PC	SA
W0063	DC69-00824A	PACKING-THERMISTOR	GW-PJT,EPDM,-,-,W17,-	1	PC	SA
Z0010	6002-001006	SCREW-TAPPING	TH,+,-,2S,M4,L12,PASS,STS4	3	PC	SA
Z0023	6011-001491	BOLT-FLANGE	M8,L38.5,PASS,STS304,P1.25,H	3	PC	SC
5.3-1	DC67-00294A	WEIGHT-BALANCER(F/L)	HEBA-PJT,CONCRETE,-	1	PC	SNA
5.3-2	DC67-00295A	WEIGHT-BALANCER(F/R)	HEBA-PJT,CONCRETE,-	1	PC	SNA

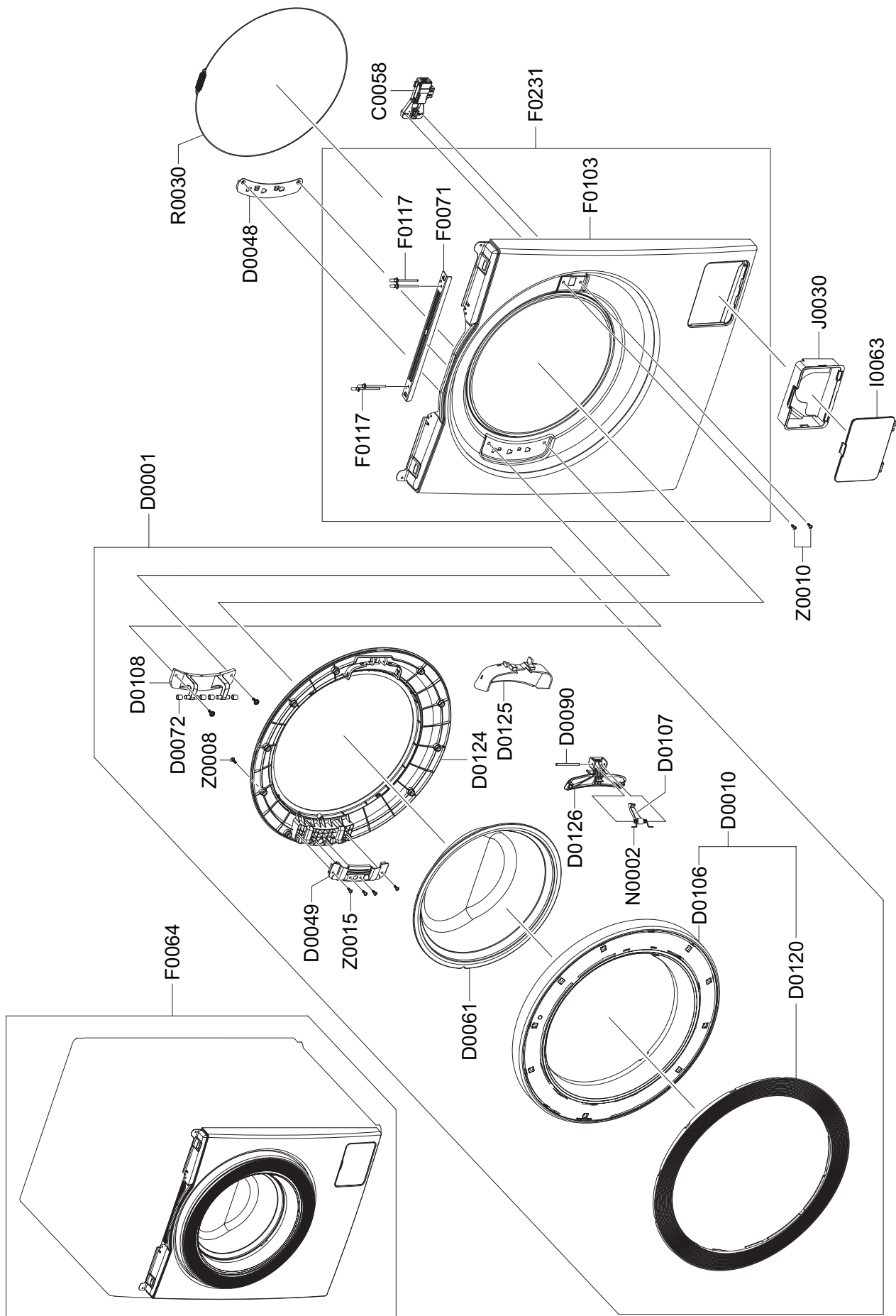
MODEL CODE: WF8804APA/XEN

Service Bom (SA: SERVICE AVAILABLE, SNA: SERVICE NOT AVAILABLE)

SVC Code	Code No.	Description	Specification	QTY	Un	SA/SNA
B0010	DC65-00021A	CLAMPER HOSE-JOINT	HEBA PJT,HSWR,-,ID67/	1	PC	SNA
F0225	DC67-00296A	WEIGHT-BALANCER(U)	HEBA-PJT,CONCRETE,-,-	1	PC	SNA
H0094	DC31-00002N	MOTOR UNIVERSAL-DRUM	MCC 61/64-148/SEC4,	1	PC	SNA
I0003	DC67-00230B	HOSE-WATER	WF316,EPDM,ID4.5,OD8.0,T1.75,	1	PC	SA
I0044	DC97-14637A	ASSY-HOSE PRESSURE	HEBA PJT,-	1	PC	SA
I0045	DC67-00298A	HOSE-AIR	HEBA PJT,EPDM,-,-,T2.5,-,BLK,-	1	PC	SNA
I0046	DC67-00292A	HOSE-DRAWER TUB	HEBA-PJT,EPDM,ID36.5,OD4	1	PC	SA
I0065	DC67-00293A	HOSE-FILTER TUB	HEBA-PJT,EPDM,-,-,T2.5,-	1	PC	SA
I0081	DC97-14873A	ASSY-HOSE AIR	WF8804DP,HOSE-AIR+BAND-RIN	1	PC	SA
I0082	DC97-14874A	ASSY-HOSE DRAWER	WF8804DP,HOSE-DRAWER+BA	1	PC	SA
N0008	DC61-70029C	SPRING-CLIP	SEW-HW125,HSWR67,CD1.2,ID8.5	2	PC	SA
R0001	DC97-14371A	ASSY-DRUM	HEBA PJT,8KG/1400RPM/6306/6305	1	PC	SA
R0002	DC66-00489A	DRUM-FRONT	HEBA PJT,STS430,ID492,OD492.4	1	PC	SNA
R0003	DC66-00491A	DRUM-WRAPPER	HEBA PJT/8.0kg,STS430/T0.5,	1	PC	SNA
R0005	DC66-00492A	DRUM-BACK	HEBA PJT,STS430/T0.5,ID492,OD4	1	PC	SNA
R0006	DC66-00493A	DRUM-LIFTER	HEBA PJT,PP,-,-,L246,NTR,7/8	3	PC	SA
R0007	DC97-14369A	ASSY-FLANGE SHAFT	HEBA PJT,8KG/1400RPM/6	1	PC	SA
R0175	DC97-14618A	ASSY-CLAMP DIAPHRAGM	WF8804DP,OD2.0/L243	1	PC	SA
U0001	DC90-00049A	ASSY TUB&DRUM	HEBA,WF8804APA/XEN	1	PC	SNA
U0016	DC62-00008A	SEAL-OIL	-,NBR(SD35),BLK,-,-,-,NBU(PI15	1	PC	SA
U0029	DC64-01602A	DOOR-DIAPHRAGM	HEBA-PJT,EPDM,T2.0,-,-,-,	1	PC	SA
U0030	DC61-01932A	TUB-FRONT	HEBA PJT,FRPP-GF15%,ID528,OD57	1	PC	SA
U0095	6602-001199	BELT-TIMING GEAR	1275JMA,POLYURETHAN,T3.	1	PC	SA
U0116	DC61-01088A	BUSH-MOTOR	Q1636,NYLON6,ID16,OD20,L21.5,	2	PC	SNA
U0133	DC66-00343D	DAMPER-SHOCK	GW-PJT,STEEL+PP+RUBBER,80N,	2	PC	SA
U0183	DC67-00297A	HOSE-JOINT AIR	HEBA-PJT,ABS,ID22,OD26,T2	1	PC	SNA
U0221	DC66-00500A	PULLEY-MOTOR	HEBA PJT,ALDC8,-,-,-,OD296.	1	PC	SA
U0320	DC60-40144A	BOLT-HEX	M10,L41,ZPC2(YEL),SM10C/DAMPER	2	PC	SC
U0353	6031-001531	WASHER-PLAIN	SCP1,-,ID7,OD14,T0.8,ZPC2(Y	1	PC	SNA
U0358	DC47-00006V	HEATER	SU8E6547-V,-,SUS 316L,2000W,8.	1	PC	SA
U0363	DC63-00889A	COVER-HEATER	WF438AAG,PP,T2.0,W160.0,L80	1	PC	SNA
U0365	DC97-06080A	ASSY-BOLT	SEW-3HR107,BOLT+WASHER	1	PC	SA
U0365	DC97-14263A	ASSY-BOLT	HEBA-PJT,MOTOR/BOLT(M8)+WASHER	4	PC	SA
U0365	DC97-14264A	ASSY-BOLT	HEBA-PJT,WEIGHT-BALANCER/BOLT(6	PC	SNA
U0367	DC63-10003C	SPONGE-HOSE AIR	POL,GRY,SWF-P12,HB22-GRE	2	PC	SNA
U0402	DC97-15011A	ASSY-S.TUB BACK	WF8*,HEBA/SVC	1	PC	SA
W0001	DC96-01327B	ASSY-WIRE HARNESS	HEBA-PJT,TUB EARTH WIR	1	PC	SA
W0005	DC97-14827B	ASSY-HEATER	WF8802DP,NORMAL HEATER	1	PC	SA
W0031	DC72-00001H	BAND-RING	HEBA-PJT,HSWR,PI3.0,ID35,-,WHT	1	PC	SA
W0031	DC65-60125B	BAND-RING	-,HSWR,T2.4,PI25,-,YEL,-	1	PC	SNA
W0031	DC65-60125B	BAND-RING	-,HSWR,T2.4,PI25,-,YEL,-	2	PC	SNA
W0031	DC65-60118E	BAND-RING	HEBA-PJT,HSWR,PI3.0,ID36.5,L18	1	PC	SNA
W0031	DC72-00001G	BAND-RING	HEBA-PJT,HSWR,PI3.0,W21.5,ID49	1	PC	SNA
W0035	DC32-00010A	THERMISTOR	-,11982OHM AT 25#,-,-55~155,-	1	PC	SA
W0063	DC69-00824A	PACKING-THERMISTOR	GW-PJT,EPDM,-,-,W17,-	1	PC	SA
Z0010	6002-001006	SCREW-TAPPING	TH,+,-,2S,M4,L12,PASS,STS4	3	PC	SA
Z0023	6011-001491	BOLT-FLANGE	M8,L38.5,PASS,STS304,P1.25,H	3	PC	SC
5.3-1	DC67-00294A	WEIGHT-BALANCER(F/L)	HEBA-PJT,CONCRETE,-	1	PC	SNA
5.3-2	DC67-00295A	WEIGHT-BALANCER(F/R)	HEBA-PJT,CONCRETE,-	1	PC	SNA

MEMO

5-4. ASS'Y FRAME FRONT



MODEL CODE: WF8802DPF/XET

Service Bom (SA: SERVICE AVAILABLE, SNA: SERVICE NOT AVAILABLE)

SVC Code	Code No.	Description	Specification	QTY	Un	SA/SNA
C0058	DC64-01538A	DOOR-LOCK S/W	ZV-446L5,PA66,T19.5,-,W95.	1	PC	SA
D0001	DC97-14343B	ASSY-DOOR	WF8802DPF,CR+SIL	1	PC	SNA
D0010	DC97-14328B	ASSY-COVER DOOR	WF8804DP,CR+SIL	1	PC	SA
D0048	DC61-01919A	BRACKET-HINGE	WF8804DP,GI,T1.4,W30,L150,	1	PC	SA
D0049	DC61-01915B	BRACKET-HOLDER	WF8804DP,GI,T1.2,W45,L160	1	PC	SA
D0061	DC64-01521A	DOOR-GLASS	WF8804DP,GLASS,T5.0,H100.5,-,	1	PC	SA
D0072	DC61-00891A	GUIDE-HINGE	HAUZEN(DOM),POM,-,-,-,WHT,HI	4	PC	SA
D0090	6043-001093	PIN-PARALLEL(KEY)	A,OD3,L40,PASS,STS304	1	PC	SA
D0106	DC63-00855A	COVER-DOOR	WF8804DP,ABS,T3.0,W480,L480,-	1	PC	SNA
D0107	DC66-00497A	LEVER-DOOR	WF8804DP,ZNDC,T10,W10,L35,-,-	1	PC	SA
D0108	DC61-01910A	HINGE-DOOR	WF8804DP,ALDC,T5.0,W30,L150,-	1	PC	SA
D0120	DC64-01523B	DECORATION-COVER DOOR	WF8802DPF,ABS,T2.7	1	PC	SNA
D0124	DC61-01909A	HOLDER GLASS	WF8804DP,PP(TB53),T3.0,W480	1	PC	SA
D0125	DC63-00853A	COVER HANDLE	WF8804DP,ABS,T2.5,W60,L125,	1	PC	SA
D0126	DC64-01524A	HANDLE DOOR	WF8804DP,ABS,T2.5,W25,L125,-	1	PC	SA
F0064	DC97-14342B	ASSY-FRAME FRONT	WF8802DPF,CR+SILVER DOO	1	PC	SNA
F0071	DC61-01981A	BRACKET-FRAME	WF8804DP,GI,T1.2,W20,L310,	1	PC	SNA
F0103	DC61-01916A	FRAME-FRONT	WF8804DP,EGI,-,-,-,WHT,T0.8,W5	1	PC	SNA
F0117	6041-001035	RIVET-RH	K1661-0512,AL(A5052),OD3.9,L11	4	PC	SNA
F0231	DC97-15021A	ASSY-FRAME FRONT(S)	HEBA ALL,DA WHITE	1	PC	SA
I0063	DC63-00854A	COVER-FILTER	WF8804DP,ABS,T2.0,W300,L200	1	PC	SA
J0030	DC61-01917A	GUIDE-FILTER	WF8804DP,ABS,T2.5,W300,L200	1	PC	SA
N0002	DC61-02027A	SPRING ETC-LEVER	-,STS304,-,-,OD1.1,L15,	1	PC	SNA
R0030	DC91-12078D	ASSY-WIRE DIAPHRAGM	HEBA-PJT,-	1	PC	SA
Z0008	6002-000444	SCREW-TAPPING	TH,+,-,2S,M4,L14,PASS,STS4	11	PC	SA
Z0010	6002-001006	SCREW-TAPPING	TH,+,-,2S,M4,L12,PASS,STS4	2	PC	SA
Z0015	6002-001306	SCREW-TAPPING	TH,+,-,1,M4,L14,ZPC(WHT),S	4	PC	SNA

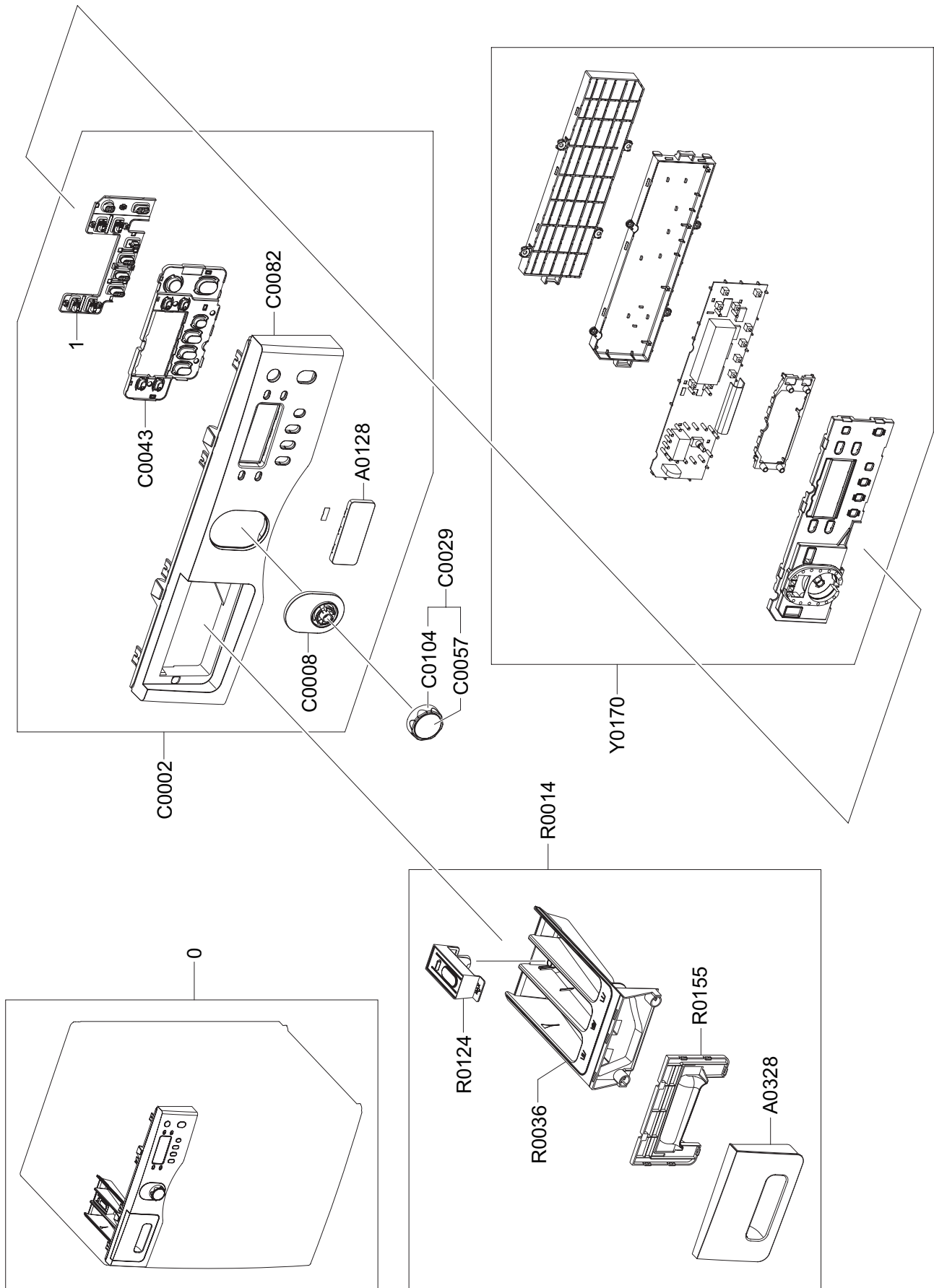
MODEL CODE: WF8804APA/XEN

Service Bom (SA: SERVICE AVAILABLE, SNA: SERVICE NOT AVAILABLE)

SVC Code	Code No.	Description	Specification	QTY	Un	SA/SNA
C0058	DC64-01538A	DOOR-LOCK S/W	ZV-446L5,PA66,T19.5,-,W95.	1	PC	SA
D0001	DC97-14343A	ASSY-DOOR	WF8804DP,CR+BLACK	1	PC	SA
D0010	DC97-14328A	ASSY-COVER DOOR	WF8804DP,CR+BLACK	1	PC	SNA
D0048	DC61-01919A	BRACKET-HINGE	WF8804DP,GI,T1.4,W30,L150,	1	PC	SA
D0049	DC61-01915B	BRACKET-HOLDER	WF8804DP,GI,T1.2,W45,L160	1	PC	SA
D0061	DC64-01521A	DOOR-GLASS	WF8804DP,GLASS,T5.0,H100.5,-,	1	PC	SA
D0072	DC61-00891A	GUIDE-HINGE	HAUZEN(DOM),POM,-,-,-,WHT,HI	4	PC	SA
D0090	6043-001093	PIN-PARALLEL(KEY)	A,OD3,L40,PASS,STS304	1	PC	SA
D0106	DC63-00855A	COVER-DOOR	WF8804DP,ABS,T3.0,W480,L480,-	1	PC	SNA
D0107	DC66-00497A	LEVER-DOOR	WF8804DP,ZNDC,T10,W10,L35,-,-	1	PC	SA
D0108	DC61-01910A	HINGE-DOOR	WF8804DP,ALDC,T5.0,W30,L150,-	1	PC	SA
D0120	DC64-01523A	DECORATION-COVER DOOR	WF8804DP,ABS,T2.7,	1	PC	SA
D0124	DC61-01909A	HOLDER GLASS	WF8804DP,PP(TB53),T3.0,W480	1	PC	SA
D0125	DC63-00853A	COVER HANDLE	WF8804DP,ABS,T2.5,W60,L125,	1	PC	SA
D0126	DC64-01524A	HANDLE DOOR	WF8804DP,ABS,T2.5,W25,L125,-	1	PC	SA
F0064	DC97-14342A	ASSY-FRAME FRONT	WF8804DP,CR DOOR + DA W	1	PC	SA
F0071	DC61-01981A	BRACKET-FRAME	WF8804DP,GI,T1.2,W20,L310,	1	PC	SNA
F0103	DC61-01916A	FRAME-FRONT	WF8804DP,EGI,-,-,WHT,T0.8,W5	1	PC	SNA
F0117	6041-001035	RIVET-RH	K1661-0512,AL(A5052),OD3.9,L11	4	PC	SNA
F0231	DC97-15021A	ASSY-FRAME FRONT(S)	HEBA ALL,DA WHITE	1	PC	SA
I0063	DC63-00854A	COVER-FILTER	WF8804DP,ABS,T2.0,W300,L200	1	PC	SA
J0030	DC61-01917A	GUIDE-FILTER	WF8804DP,ABS,T2.5,W300,L200	1	PC	SA
N0002	DC61-02027A	SPRING ETC-LEVER	-,STS304,-,-,OD1.1,L15,	1	PC	SNA
R0030	DC91-12078D	ASSY-WIRE DIAPHRAGM	HEBA-PJT,-	1	PC	SA
Z0008	6002-000444	SCREW-TAPPING	TH,+,-,2S,M4,L14,PASS,STS4	11	PC	SA
Z0010	6002-001006	SCREW-TAPPING	TH,+,-,2S,M4,L12,PASS,STS4	2	PC	SA
Z0015	6002-001306	SCREW-TAPPING	TH,+,-,1,M4,L14,ZPC(WHT),S	4	PC	SNA

MEMO

5-5. PANEL-CONTROL & DRAWER



MODEL CODE: WF8802DPF/XETService Bom (**SA**: SERVICE AVAILABLE, **SNA**: SERVICE NOT AVAILABLE)

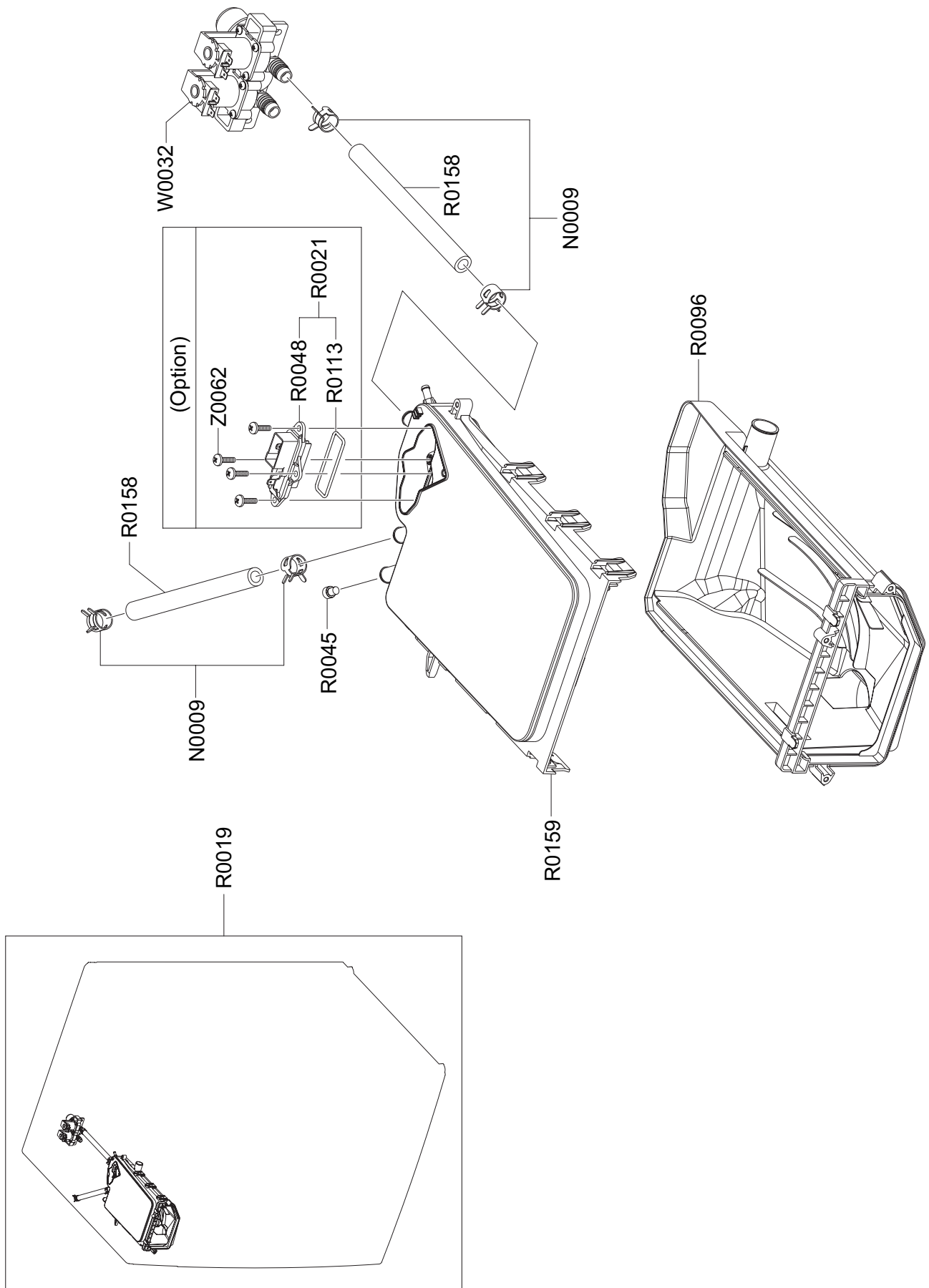
SVC Code	Code No.	Description	Specification	QTY	Un	SA/SNA
A0128	DC64-01531A	WINDOW-PANEL	HEBA-PJT,ABS,T2.0,-,-,-,BLK	1	PC	SNA
A0328	DC64-01526A	PANEL-DRAWER	HEBA-PJT,ABS,T2.5,-,-,-,WHT	1	PC	SNA
C0002	DC97-14577C	ASSY-PANEL CONTROL	WF8802DPF,HIGH-DESIGN	1	PC	SA
C0008	DC64-01533A	WINDOW-ENCODER	HEBA,ABS,T2.0,-,-,-,BLK,H	1	PC	SNA
C0029	DC97-14576A	ASSY-KNOB ENCODER	WF8804DP,HIGH-DESIGN/8	1	PC	SA
C0043	DC64-01529A	BUTTON-PUSH(F)	HEBA-PJT,ABS,-,-,WHT,SILK	1	PC	SNA
C0057	DC64-01536A	DECORATION-ENCODER	HEBA-PJT,ALDC 8,T2.0,	1	PC	SNA
C0082	DC64-01528A	PANEL-CONTROL	HEBA-PJT,ABS,T2.5,-,-,-,WH	1	PC	SNA
C0104	DC64-01534A	KNOB-ENCODER	HEBA-PJT,ABS,T2.0,-,-,-,BLK	1	PC	SNA
R0014	DC97-15040A	ASSY-DRAWER	WF8804DP,HEBA/WHT	1	PC	SA
R0036	DC61-01740A	BODY-DRAWER	-,PP,-,-,-,NATURAL,STANDAR	1	PC	SA
R0124	DC61-01741A	STOPPER-DRAWER	-,PP,-,-,-,SGEC	1	PC	SA
R0155	DC64-01527A	HANDLE-DRAWER	HEBA-PJT,ABS,T2.0,-,-,-,WH	1	PC	SNA
Y0170	MF-HWQ2CPC-00	ASSY-PCB PARTS	MF-HWQ2CPC-00	1	PC	SA
5.5-0		Panel-Control & Drawer	Refer to 5.4 Control & Drawer	1		
5.5-1	DC64-01535A	BUTTON-RUBBER	HEBA-PJT,SILICONE,-,-,NTR,	1	PC	SNA

MODEL CODE: WF8804APA/XENService Bom (**SA**: SERVICE AVAILABLE, **SNA**: SERVICE NOT AVAILABLE)

SVC Code	Code No.	Description	Specification	QTY	Un	SA/SNA
A0128	DC64-01531A	WINDOW-PANEL	HEBA-PJT,ABS,T2.0,-,-,-,BLK	1	PC	SNA
A0328	DC64-01526A	PANEL-DRAWER	HEBA-PJT,ABS,T2.5,-,-,-,WHT	1	PC	SNA
C0002	DC97-14577N	ASSY-PANEL CONTROL	WF8804APA/XEN,HIGH-DE	1	PC	SA
C0008	DC64-01533A	WINDOW-ENCODER	HEBA,ABS,T2.0,-,-,-,BLK,H	1	PC	SNA
C0029	DC97-14576A	ASSY-KNOB ENCODER	WF8804DP,HIGH-DESIGN/8	1	PC	SA
C0043	DC64-01529A	BUTTON-PUSH(F)	HEBA-PJT,ABS,-,-,WHT,SILK	1	PC	SNA
C0057	DC64-01536A	DECORATION-ENCODER	HEBA-PJT,ALDC 8,T2.0,	1	PC	SNA
C0082	DC64-01528A	PANEL-CONTROL	HEBA-PJT,ABS,T2.5,-,-,-,WH	1	PC	SNA
C0104	DC64-01534A	KNOB-ENCODER	HEBA-PJT,ABS,T2.0,-,-,-,BLK	1	PC	SNA
R0014	DC97-15040A	ASSY-DRAWER	WF8804DP,HEBA/WHT	1	PC	SA
R0036	DC61-01740A	BODY-DRAWER	-,PP,-,-,-,NATURAL,STANDAR	1	PC	SA
R0124	DC61-01741A	STOPPER-DRAWER	-,PP,-,-,-,SGEC	1	PC	SA
R0155	DC64-01527A	HANDLE-DRAWER	HEBA-PJT,ABS,T2.0,-,-,-,WH	1	PC	SNA
Y0170	MF-HWQ4APC-00	ASSY-PCB PARTS	MF-HWQ4APC-00	1	PC	SA
5.5-0		Panel-Control & Drawer	Refer to 5.4 Control & Drawer	1		
5.5-1	DC64-01535A	BUTTON-RUBBER	HEBA-PJT,SILICONE,-,-,NTR,	1	PC	SNA

MEMO

5-6. ASS'Y HOUSING DRAWER



MODEL CODE: WF8802DPF/XETService Bom (**SA**: SERVICE AVAILABLE, **SNA**: SERVICE NOT AVAILABLE)

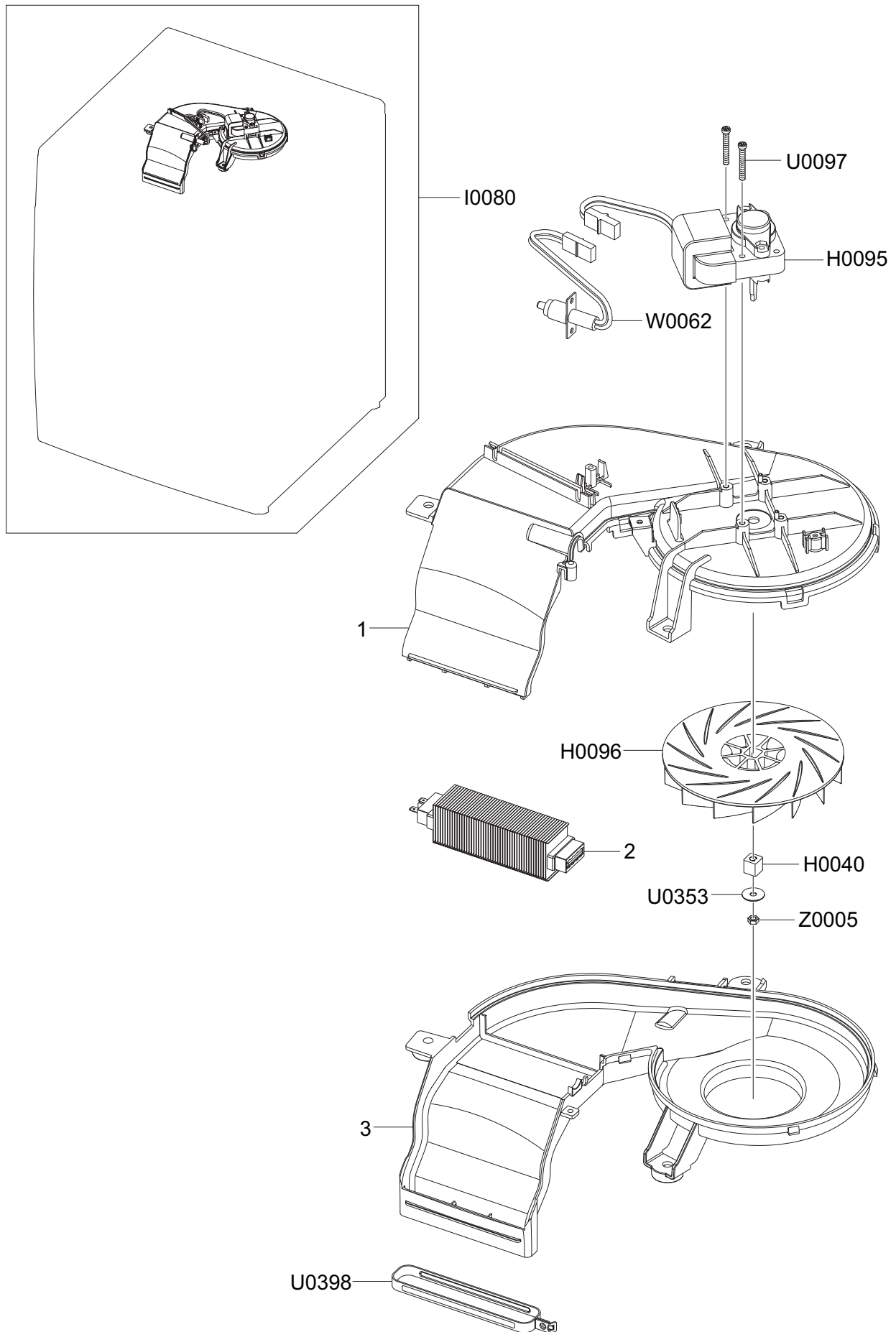
SVC Code	Code No.	Description	Specification	QTY	Un	SA/SNA
N0009	DC65-00008A	CLAMPER HOSE	SEW-DR605,SK5,-,-,YEL,ID14.	4	PC	SNA
R0019	DC97-14654A	ASSY-HOUSING DRAWER	WF8804DP,HEBA-PJT/Ag	1	PC	SA
R0021	DC97-13059A	ASSY-GUIDE WATER	SEW-HER107ARK,AG+ ASSY/	1	PC	SA
R0045	DC61-00027A	CAP-DRAWER	COVER_HOT-HOLE/P12,NBR,-,-,L1	1	PC	SNA
R0048	DC67-00257A	CAP-GUIDE WATER	-,ABS,-,-,-,AG+	1	PC	SA
R0096	DC61-01939A	HOUSING-DRAWER(L)	HEBA-PJT,PP,T1.8,-,-,N	1	PC	SNA
R0113	DC62-00237A	SEAL-CAP GUIDE	AG+,SILICON,NTR,T2.0,W17,	1	PC	SNA
R0158	DC67-00051B	HOSE-DRAWER	Q1636GW/XEU,EPDM,ID9.0,OD14.	0.48	M	SA
R0159	DC97-14656A	ASSY-S.HOUSING DRAWER	WF8804DP,HEBA-PJT	1	PC	SA
W0032	DC62-00024F	VALVE-WATER	B1215J,NYLON66/250TRMN,-,-,N	1	PC	SC
Z0062	6002-001366	SCREW-TAPPING	BH,+2S,M4(P1.8),L16,PASS,	4	PC	SNA

MODEL CODE: WF8804APA/XENService Bom (**SA**: SERVICE AVAILABLE, **SNA**: SERVICE NOT AVAILABLE)

SVC Code	Code No.	Description	Specification	QTY	Un	SA/SNA
N0009	DC65-00008A	CLAMPER HOSE	SEW-DR605,SK5,-,-,YEL,ID14.	4	PC	SNA
R0019	DC97-14654B	ASSY-HOUSING DRAWER	WF8804DP,HEBA-PJT/CO	1	PC	SA
R0045	DC61-00027A	CAP-DRAWER	COVER_HOT-HOLE/P12,NBR,-,-,L1	1	PC	SNA
R0096	DC61-01939A	HOUSING-DRAWER(L)	HEBA-PJT,PP,T1.8,-,-,N	1	PC	SNA
R0158	DC67-00051B	HOSE-DRAWER	Q1636GW/XEU,EPDM,ID9.0,OD14.	0.48	M	SA
R0159	DC97-14656A	ASSY-S.HOUSING DRAWER	WF8804DP,HEBA-PJT	1	PC	SA
W0032	DC62-00024F	VALVE-WATER	B1215J,NYLON66/250TRMN,-,-,N	1	PC	SC

MEMO

5-7. ASS'Y AIR WASH



MODEL CODE: WF8802DPF/XETService Bom (**SA**: SERVICE AVAILABLE, **SNA**: SERVICE NOT AVAILABLE)

SVC Code	Code No.	Description	Specification	QTY	Un	SA/SNA
H0040	DC61-01096B	BUSH-FAN	WF8804DP,SUS316,#5,-,10.4*10.4	1	PC	SNA
H0095	DC31-00081A	MOTOR INDUCTION-AIR WASH	HEBA Pjt,IS-321	1	PC	SA
H0096	DC67-00299A	FAN-AIR WASH	HEBA-PJT,PP,OD65.0,NO14,T3.	1	PC	SA
I0080	DC97-14537A	ASSY-AIR WASH	WF8804DP,AIRWASH, MOTOR+PT	1	PC	SA
U0097	6011-001675	BOLT-ETC	M4,L32,WHT,MSWR10A, Spring Wash	2	PC	SA
U0353	6031-001616	WASHER-PLAIN	EGI,-,ID4.5,OD16,T1.0,ZPC(W	1	PC	SNA
U0398	DC66-00504A	JOINT-DIAPHRAGM	WF8804DP,EGI,-,-,T1.0,11	1	PC	SA
W0062	DC90-10128K	ASSY-THERMISTOR	PTM-K51F-S15,17.6K#?%(a	1	PC	SNA
Z0005	6021-001226	NUT-HEXAGON	2C,M4*P0.7,WHT,MSWR10A,LEFT-	1	PC	SNA
5.7-1	DC61-01955A	HOUSING-AIR WASH(U)	HEBA-PJT,PP,T2.2,-,-	1	PC	SNA
5.7-2	DC47-00028A	HEATER-PTC	J526F214P2GK,HEBA-PJT,ALUMINU	1	PC	SNA
5.7-3	DC61-01956A	HOUSING-AIR WASH(L)	HEBA-PJT,PP,T2.2,-,-	1	PC	SNA

5-8. PARTS LIST (OTHERS PARTS)

MODEL CODE: WF8802DPF/XET

Service Bom (SA: SERVICE AVAILABLE, SNA: SERVICE NOT AVAILABLE)

SVC Code	Code No.	Description	Specification	QTY	Un	SA/SNA
U0363	6502-000127	CABLE CLAMP	DAWH-18NB,ID15,-,NYLON66,NTR	1	PC	SA
Z0006	6002-000213	SCREW-TAPPING	TH,+,-,1,M4,L12,ZPC(WHT),S	10	PC	SA
Z0006	6002-000213	SCREW-TAPPING	TH,+,-,1,M4,L12,ZPC(WHT),S	1	PC	SA
Z0006	6002-000213	SCREW-TAPPING	TH,+,-,1,M4,L12,ZPC(WHT),S	2	PC	SA
Z0006	6002-000213	SCREW-TAPPING	TH,+,-,1,M4,L12,ZPC(WHT),S	1	PC	SA
Z0016	6002-001313	SCREW-HEX	HWH,+,-,M6.5,L25,ZPC(WHT),SWRC	3	PC	SA
Z0021	6009-001343	SCREW-SPECIAL	PH,TORX,-,M4,L10,PASS,STS,	1	PC	SA
Z0028	6002-000445	SCREW-TAPPING	TH,+,-,2S,M4,L18,PASS,STS4	2	PC	SA
Z0028	6002-000445	SCREW-TAPPING	TH,+,-,2S,M4,L18,PASS,STS4	2	PC	SA
Z0033	6009-001342	SCREW-SPECIAL	TH,+,-,M5,L11,ZPC(WHT),SWR	2	PC	SA
Z0054	6009-001367	SCREW-HEX	HWH,+,-,M6.5,L32,ZPC(WHT),SWRC	14	PC	SA
Z0064	DC97-14006A	ASSY-SCREW	WF203,SCREW-TAPPING(M4+L16,TH	1	PC	SA
	6009-001522	SCREW-HEX	HEX,+,-,M5,L16,PASS,STS430,FP,	2	PC	SA

MODEL CODE: WF8804APA/XEN

Service Bom (SA: SERVICE AVAILABLE, SNA: SERVICE NOT AVAILABLE)

SVC Code	Code No.	Description	Specification	QTY	Un	SA/SNA
U0363	6502-000127	CABLE CLAMP	DAWH-18NB,ID15,-,NYLON66,NTR	1	PC	SA
Z0006	6002-000213	SCREW-TAPPING	TH,+,-,1,M4,L12,ZPC(WHT),S	10	PC	SA
Z0006	6002-000213	SCREW-TAPPING	TH,+,-,1,M4,L12,ZPC(WHT),S	1	PC	SA
Z0006	6002-000213	SCREW-TAPPING	TH,+,-,1,M4,L12,ZPC(WHT),S	1	PC	SA
Z0021	6009-001343	SCREW-SPECIAL	PH,TORX,-,M4,L10,PASS,STS,	1	PC	SA
Z0028	6002-000445	SCREW-TAPPING	TH,+,-,2S,M4,L18,PASS,STS4	2	PC	SA
Z0028	6002-000445	SCREW-TAPPING	TH,+,-,2S,M4,L18,PASS,STS4	2	PC	SA
Z0033	6009-001342	SCREW-SPECIAL	TH,+,-,M5,L11,ZPC(WHT),SWR	2	PC	SA
Z0054	6009-001367	SCREW-HEX	HWH,+,-,M6.5,L32,ZPC(WHT),SWRC	14	PC	SA
Z0064	DC97-14006A	ASSY-SCREW	WF203,SCREW-TAPPING(M4+L16,TH	1	PC	SA
	6009-001522	SCREW-HEX	HEX,+,-,M5,L16,PASS,STS430,FP,	2	PC	SA

5-9. PARTS LIST (SCREW PARTS)

MODEL CODE: WF8802DPF/XET

Service Bom (SA: SERVICE AVAILABLE, SNA: SERVICE NOT AVAILABLE)

SVC Code	Code No.	Description	Specification	QTY	Un	SA/SNA
Z0006	6002-000213	SCREW-TAPPING	TH,+,-,1,M4,L12,ZPC(WHT),S	14	PC	SA
Z0008	6002-000444	SCREW-TAPPING	TH,+,-,2S,M4,L14,PASS,STS4	11	PC	SA
Z0010	6002-001006	SCREW-TAPPING	TH,+,-,2S,M4,L12,PASS,STS4	5	PC	SA
Z0015	6002-001306	SCREW-TAPPING	TH,+,-,1,M4,L14,ZPC(WHT),S	6	PC	SNA
Z0016	6002-001313	SCREW-HEX	HWH,+,-,M6.5,L25,ZPC(WHT),SWRC	3	PC	SA
Z0019	6006-001170	SCREW-TAPPING	TH,+WT,TC,M4,L10,ZPC(WHT)	4	PC	SNA
Z0020	6006-001174	SCREW-TAPPING	TH,+WE,-,M4,L12,ZPC(WHT),	17	PC	SNA
Z0021	6009-001343	SCREW-SPECIAL	PH,TORX,-,M4,L10,PASS,STS,	1	PC	SA
Z0028	6002-000445	SCREW-TAPPING	TH,+,-,2S,M4,L18,PASS,STS4	4	PC	SA
Z0033	6009-001342	SCREW-SPECIAL	TH,+,-,M5,L11,ZPC(WHT),SWR	2	PC	SA
Z0054	6009-001367	SCREW-HEX	HWH,+,-,M6.5,L32,ZPC(WHT),SWRC	14	PC	SA
Z0062	6002-000630	SCREW-TAPPING	PH,+,-,2S,M3,L8,ZPC(WHT),S	2	PC	SNA
Z0062	6002-001208	SCREW-TAPPING	TWH,+,-,1,M4,L14,ZPC(WHT),	1	PC	SNA
Z0062	6002-001366	SCREW-TAPPING	BH,+2S,M4(P1.8),L16,PASS,	4	PC	SNA
Z0062	DE60-10080A	SCREW-TAPPING	PWH,+,-,2S,M5,L9,-,SWRCH18	4	PC	SNA
Z0064	DC97-14006A	ASSY-SCREW	WF203,SCREW-TAPPING(M4+L16,TH	1	PC	SA
	6009-001522	SCREW-HEX	HEX,+,-,M5,L16,PASS,STS430,FP,	2	PC	SA

MODEL CODE: WF8804APA/XEN

Service Bom (SA: SERVICE AVAILABLE, SNA: SERVICE NOT AVAILABLE)

SVC Code	Code No.	Description	Specification	QTY	Un	SA/SNA
Z0006	6002-000213	SCREW-TAPPING	TH,+,-,1,M4,L12,ZPC(WHT),S	12	PC	SA
Z0007	6002-000239	SCREW-TAPPING	TH,+,-,2S,M4,L8,ZPC(WHT),S	2	PC	SNA
Z0008	6002-000444	SCREW-TAPPING	TH,+,-,2S,M4,L14,PASS,STS4	11	PC	SA
Z0010	6002-001006	SCREW-TAPPING	TH,+,-,2S,M4,L12,PASS,STS4	5	PC	SA
Z0015	6002-001306	SCREW-TAPPING	TH,+,-,1,M4,L14,ZPC(WHT),S	6	PC	SNA
Z0019	6006-001170	SCREW-TAPPING	TH,+WT,TC,M4,L10,ZPC(WHT)	4	PC	SNA
Z0020	6006-001174	SCREW-TAPPING	TH,+WE,-,M4,L12,ZPC(WHT),	14	PC	SNA
Z0021	6009-001343	SCREW-SPECIAL	PH,TORX,-,M4,L10,PASS,STS,	1	PC	SA
Z0028	6002-000445	SCREW-TAPPING	TH,+,-,2S,M4,L18,PASS,STS4	4	PC	SA
Z0033	6009-001342	SCREW-SPECIAL	TH,+,-,M5,L11,ZPC(WHT),SWR	2	PC	SA
Z0054	6009-001367	SCREW-HEX	HWH,+,-,M6.5,L32,ZPC(WHT),SWRC	14	PC	SA
Z0062	6002-000630	SCREW-TAPPING	PH,+,-,2S,M3,L8,ZPC(WHT),S	2	PC	SNA
Z0062	DE60-10080A	SCREW-TAPPING	PWH,+,-,2S,M5,L9,-,SWRCH18	4	PC	SNA
Z0064	DC97-14006A	ASSY-SCREW	WF203,SCREW-TAPPING(M4+L16,TH	1	PC	SA
	6009-001522	SCREW-HEX	HEX,+,-,M5,L16,PASS,STS430,FP,	2	PC	SA