
1. EXPLODED VIEWS AND PARTS LIST

[MATERIAL CODE STANDARDS]

Material codes and names and their respective naming rules are managed in accordance with the prescribed standards. Please refer to these standards when requesting a material.

1. Material Code Type

● : Number

■ : Letter (Alphabet)

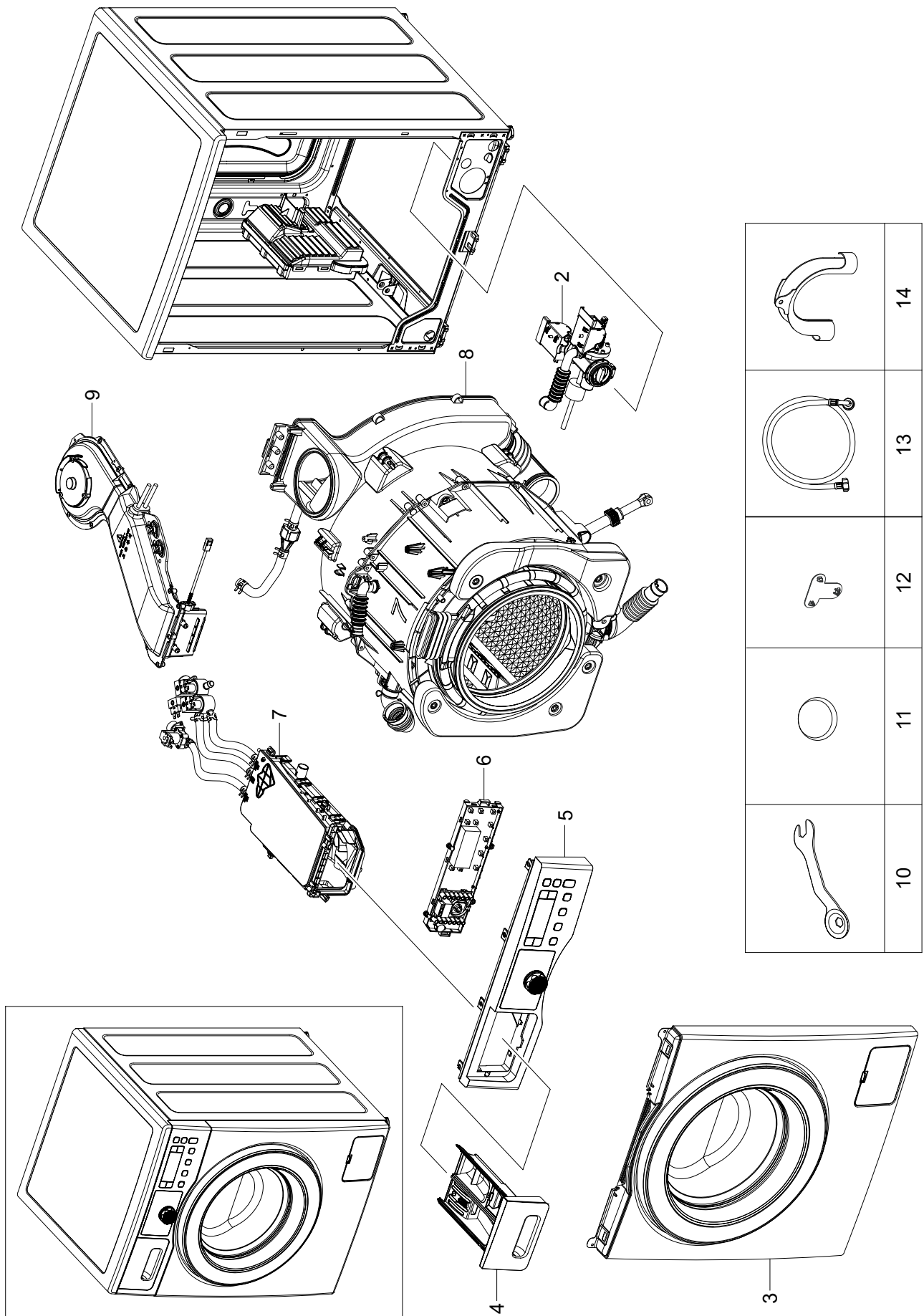
Type 1	●●●●-●●●●●● ex) 0204-000418 FREON	Enterprise-wide parts Type 1 materials can be used for all Samsung Electronics products. (Most electrical parts belong to this type.)
Type 2	■■●●-●●●●●■ ex) DC96-01390A ASSY-CONTROL	Division-wide parts (DC**-Washing machine) Type 2 materials can be used for specific products. (Most instruments and tools belong to this type.)

2. Ass'y Materials

All ass'y material codes start with DC9*.

An ass'y material is created by combining more than two materials. If a requested material cannot be provided, you can request an ass'y material that contains that material.

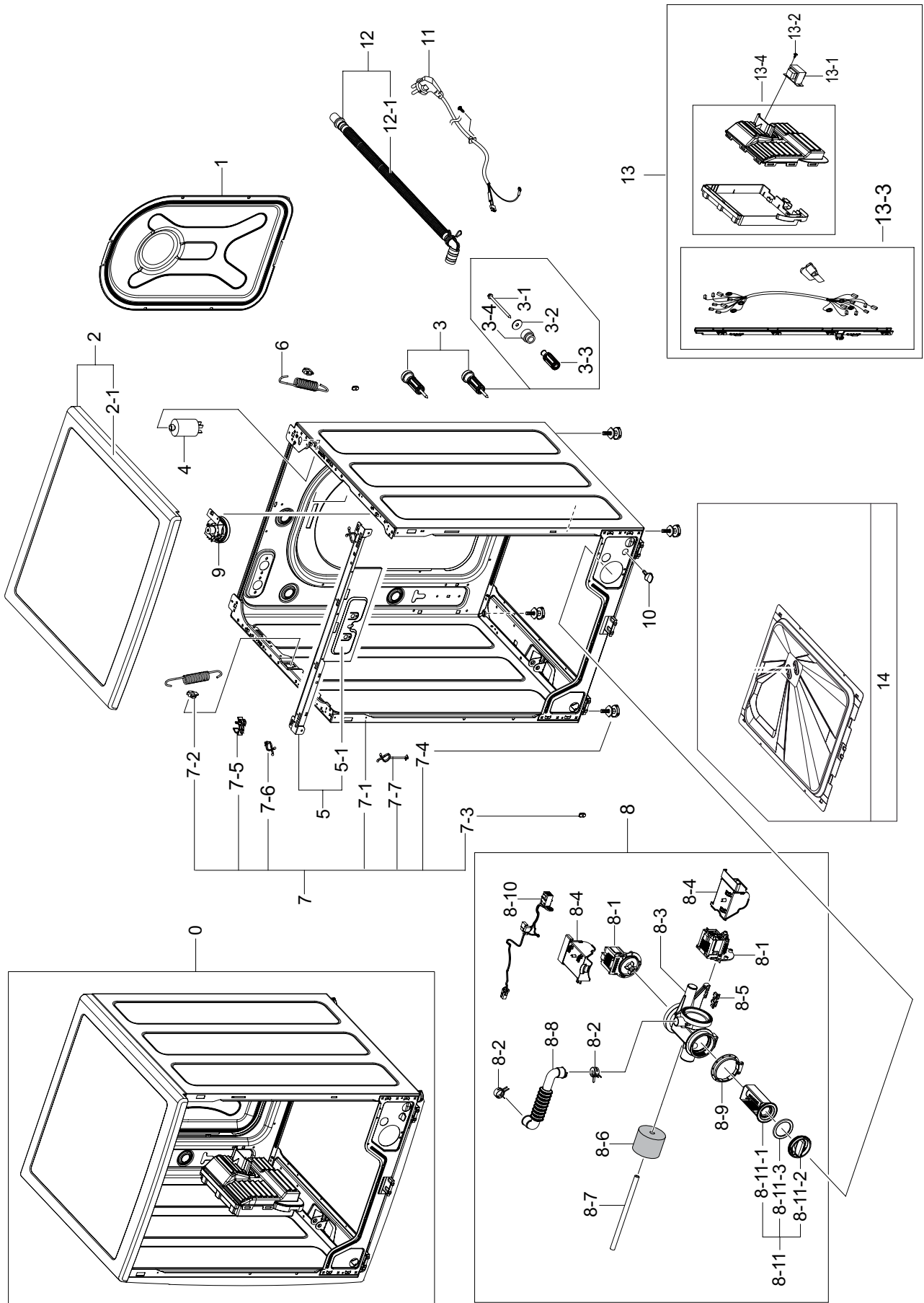
1. MAIN



MODEL CODE: WD0804W8E3/XECService Bom (**SA**: SERVICE AVAILABLE, **SNA**: SERVICE NOT AVAILABLE)

Drawing No.	Code No.	Description	Specification	QTY	Un	SA/SNA
1	-	FRAME&COVER PARTS	-	1	-	-
2	DC97-15696J	ASSY PUMP DRAIN	HEBA DD,BUBBLE,(220~240V	1	PC	SNA
3	-	FRAME FRONT&DOOR	-	1	-	-
4	DC97-16655A	ASSY PANEL DRAWER	SCOUT,WF0804Y8E1/XEF,8	1	PC	SA
5	DC97-16875Z	ASSY PANEL CONTROL	SCOUT COMBO,WD0804W8E	1	PC	SA
6	DC92-00532A	ASSY PCB SUB	SCOUT SUB,WD0804W8E/YAH,8KG	1	PC	SA
7	DC97-16005E	ASSY HOUSING DRAWER	SCOUT,WD0804W8E,Comb	1	PC	SA
8	DC90-13642A	ASSY TUB&DRUM	WD0804W8E1/XEF	1	PC	SNA
9	DC93-00033A	ASSY DUCT SCROLL	HEBA-COMBO,WD8700,-,-,-	1	PC	SA
10	DC60-00104A	FASTENER-BOLT	ALL,CR,OD36,2.5,L113.5	1	PC	SA
11	DC67-00208B	CAP-FIXER	WF8602NHS/XFA,PP,T1.5,FH44N,BL	1	PC	SA
12	DC67-00307A	CAP-FIXER	WF438AAC/XAA,PP,T1.5,BLK,RM60	4	PC	SA
13	DC97-16921A	ASSY HOSE WATER	HEBA,WF8804,REFLEX,BLUE/	1	PC	SA
14	DC62-10278A	HOSE-HANGER	PUMP MODEL,PP,BLACK	1	PC	SA

2. FRAME & COVER PARTS



MODEL CODE: WD0804W8E3/XEC

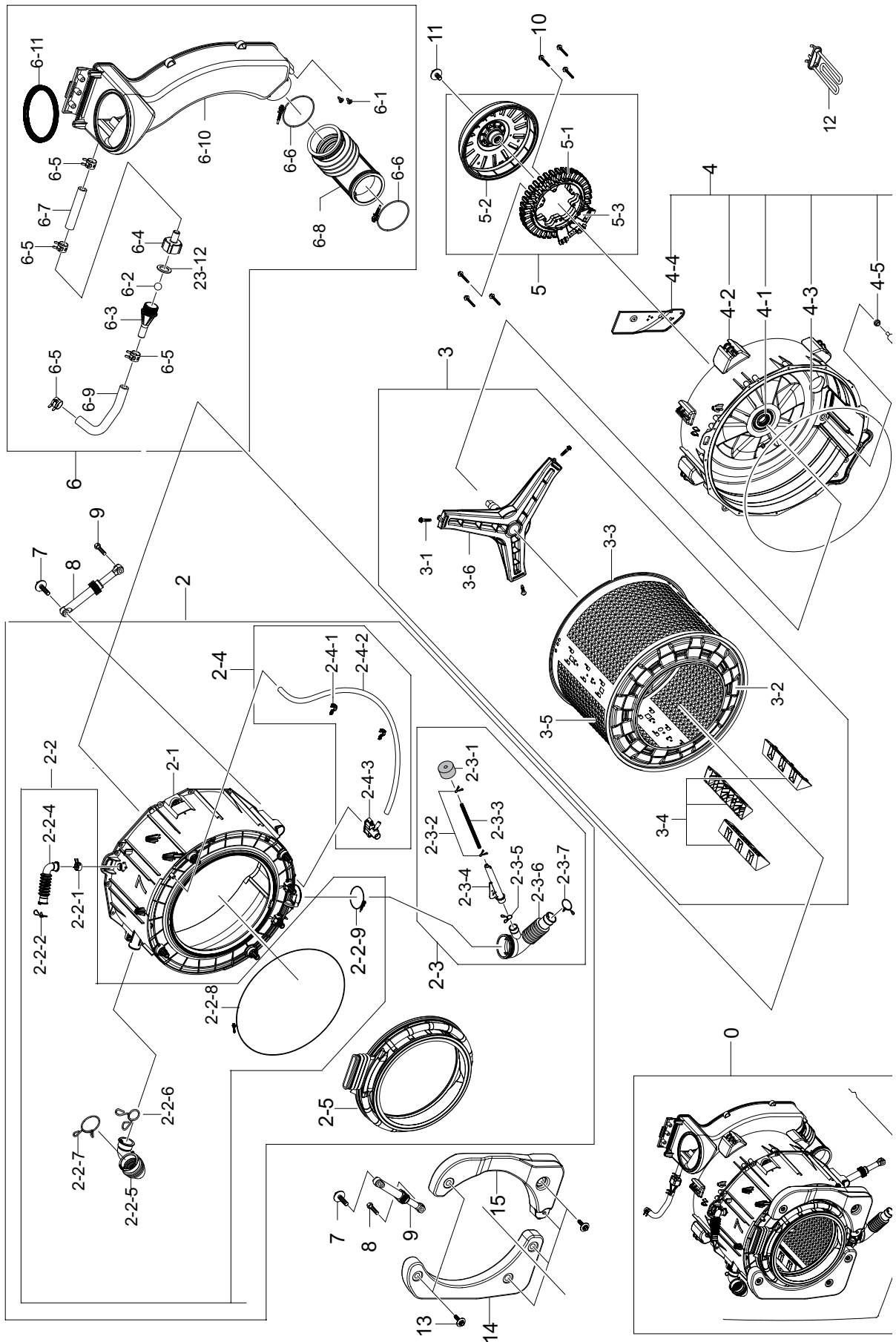
Service Bom (SA: SERVICE AVAILABLE, SNA: SERVICE NOT AVAILABLE)

Drawing No.	Code No.	Description	Specification	QTY	Un	SA/SNA
1	DC63-00862C	COVER-BACK	WF8600NMW,GI-SGCC,T0.35,W352,	1	PC	SA
2	DC97-14953A	ASSY COVER TOP	HEBA-PJT,-,WOOD+AL FOIL+U	1	PC	SA
2-1	DC63-00910A	COVER-TOP	HEBA PJT,ABS,T3.5,W594.8,L590.	1	PC	SNA
3	DC97-14794C	ASSY FIXER TUB	SCOUT,WF0704L7W/XEF	4	PC	SA
3-1	6011-001669	BOLT-HEX	M7,L160,ZPC2,SCM435,TAPPING	4	PC	SNA
3-2	DC60-60044B	WASHER-PLAIN	SBC,ID8.4/OD30,T2.0	4	PC	SA
3-3	DC61-02028B	FIXER-TUB	HEBA-PJT,FRPP,ID8.0/OD25.0,NTR	4	PC	SNA
3-4	DC73-00035A	FIXER-RUBBER	WF0804Y8E/XEF,EPDM,OD25/ID1	4	PC	SNA
4	DC29-00015F	FILTER-EMI	LFT-215K-2,SCOUT-PJT,250VAC,1	1	PC	SNA
5	DC97-15557A	ASSY FRAME PLATE(U)	HEBA-COMBO,WD8704DJF	1	PC	SA
5-1	DC61-02376A	BRACKET-DUCT SCROLL	HEBA-COMBO,GI-SGCC,T	1	PC	SNA
6	DC61-02029B	SPRING ETC-HANGER	HEBA 7kg,HSWR-SWRH,CD3	2	PC	SA
7	DC97-16817T	ASSY PAINT FRAME	SCOUT-COMBO,WD0894W8E1/	1	PC	SA
7-1	DC97-16439H	ASSY FRAME	SCOUT-COMBO,WD0894W8E/ YBG,PCM	1	PC	SNA
7-2	DC61-02065A	GUIDE-SPRING	WF448AAG/XXA,POM,T4,W24,L36	2	PC	SA
7-3	DC61-01901A	GUIDE-FRAME FRONT	ALL MODEL,POM,T5.5,W10	2	PC	SNA
7-4	DC97-00920H	ASSY LEG	-,ALL EXCEPT AUSTRALI MODEL,L33	4	PC	SA
7-5	DC61-00133A	CLAMPER HOSE-FIX	P1291,PP,-,HOSE+PLUG,BJ	1	PC	SA
7-6	DC61-40081A	HOLDER-WIRE	DAWH-2NC,PA,-,NATURAL,-	9	PC	SA
7-7	DC61-00995C	HOLDER-WIRE	HEBA-PJT,PA,ID26,W6,L145,NYL	1	PC	SA
8	DC97-15696J	ASSY PUMP DRAIN	HEBA DD,BUBBLE,(220~240V	1	PC	SNA
8-1	DC31-30008D	PUMP-DRAIN	SW-70XP,220/240V,50Hz,SYNCHRO	2	PC	SA
8-2	DC61-00158A	CLAMPER HOSE	SW65ASP,SK5,ID23,T0.8,-	2	PC	SNA
8-3	DC61-02271B	CASE-PUMP	WF0804Y8E/XEF,PP,T2.5,W153.6,L	1	PC	SNA
8-4	DC63-01410A	COVER-PUMP	COVER-PUMP,PP,T1.3,W50,L77,V0	2	PC	SNA
8-5	DC63-00905A	CUSHION-PUMP	WF8802DPF/XET,NBR,-,W37.6,L	1	PC	SNA
8-6	DC63-10003C	SPONGE-HOSE AIR	SWF-P12,PU-FOAM,GRY	1	PC	SNA
8-7	DC67-00244M	HOSE DRAIN	AEGIS,EPDM,ID6,OD10,T2.0,L270	1	PC	SNA
8-8	DC67-00461A	HOSE-AIR TUB	SCOUT- PJT,EPDM,T1.5,BLK	1	PC	SNA
8-9	DC69-01128A	PACKING-PUMP	WF8804DP,IIR,BUTYL,T2.5,HEB	1	PC	SNA
8-10	DC93-00016C	ASSY WIRE HARNESS-PUMP	DRUM,SCOUT,CIRCUL	1	PC	SNA
8-11	DC97-15695C	ASSY FILTER	Heba,WF9904CWN1	1	PC	SNA
8-11-1	DC63-00998A	FILTER-PUMP	SCOUT-PJT,PP,-,W52.8,L93.1,-	1	PC	SA
8-11-2	DC64-02783A	HANDLE-FILTER	WF350ANW/XAA,PP,T2.3,W63.8	1	PC	SA
8-11-3	DC73-00022A	SEAL-PACKING	SEW-HVR149ATA,EPDM,BLK,-	1	PC	SA
9	DC96-01703B	ASSY SENSOR PRESSURE	PURPLE PJT,PURPLE P	1	PC	SA

MODEL CODE: WD0804W8E3/XECService Bom (**SA**: SERVICE AVAILABLE, **SNA**: SERVICE NOT AVAILABLE)

Drawing No.	Code No.	Description	Specification	QTY	Un	SA/SNA
10	DC61-10673C	CAP DRAIN	WF1802XEY/XSC,FRPP,BLACK	1	PC	SA
11	DC96-00146A	ASSY POWER CORD	VDE,UCP2,250V16A,H05VV-F	1	PC	SA
12	DC97-02250Z	ASSY HOSE DRAIN(O)	HEBA-PJT,GRY	1	PC	SA
12-1	DC62-10022G	HOSE-PUMP	SWF-P12,PP,ID20.5,L1980,-,-,WH	1	PC	SNA
13	DC92-00820A	ASSY PCB MAIN UNION	SCOUT COMBO	1	PC	SC
13-1	DC26-00009D	TRANS-REACTORV	SEW-3HR105,220V-240V,3A,2	1	PC	SA
13-2	6002-000520	SCREW-TAPPING	TH,+,-,2,M4,L12,ZPC(WHT),S	2	PC	SNA
13-3	DC93-00257A	ASSY M.GUIDE WIRE HARNESS	SCOUT COMBO,WD	1	PC	SA
13-4	DC92-00531A	ASSY PCB MAIN	SCOUT,WD0804W8E/YAH,8KG,22	1	PC	SNA
14	DC97-16443C	ASSY COVER BOTTOM	VISTULA 6A MODEL,WF180	1	PC	SA

3. ASS'Y TUB DRUM



MODEL CODE: WD0804W8E3/XEC

Service Bom (SA: SERVICE AVAILABLE, SNA: SERVICE NOT AVAILABLE)

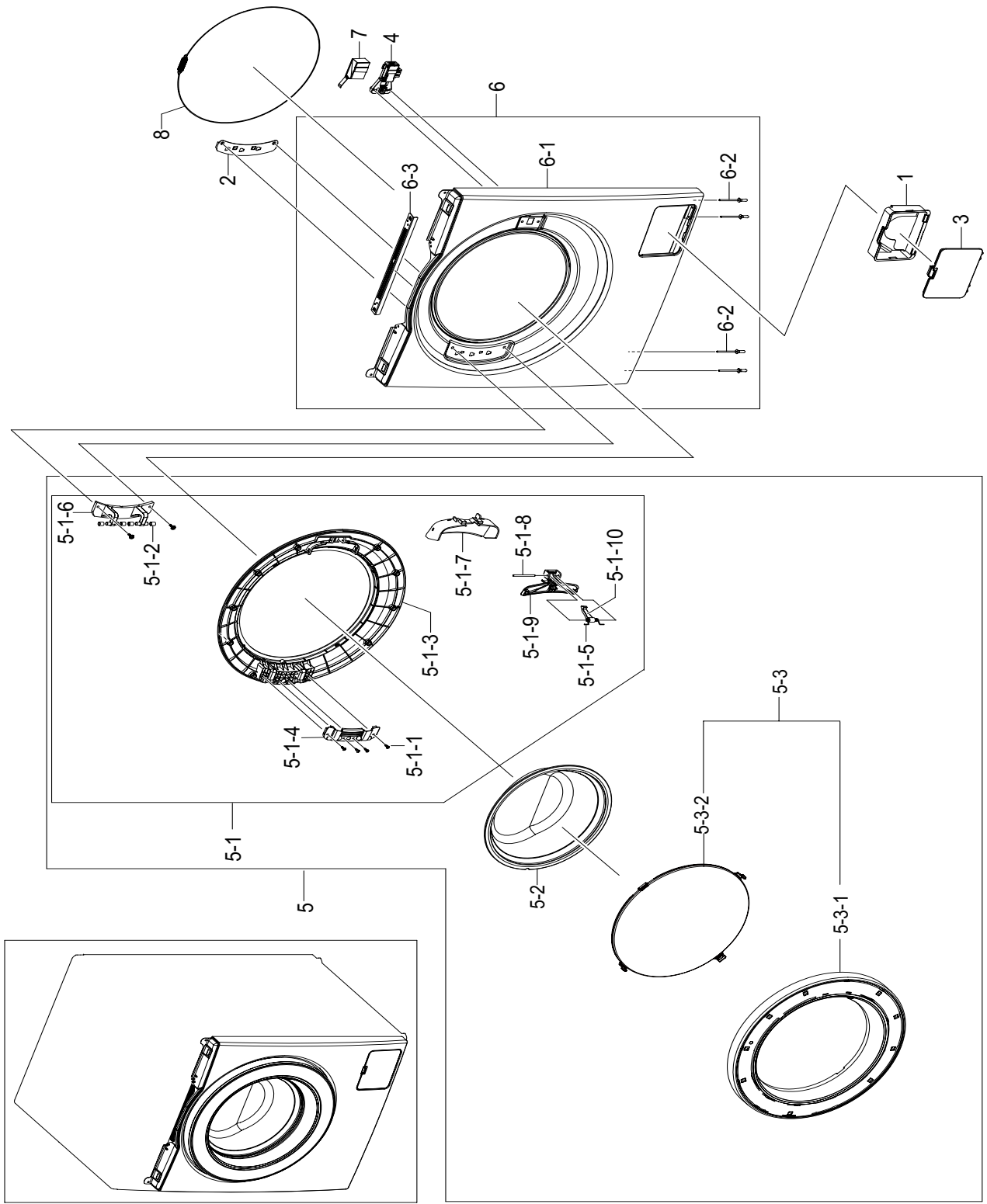
Drawing No.	Code No.	Description	Specification	QTY	Un	SA/SNA
0	DC90-13642A	ASSY TUB&DRUM	WD0804W8E1/XEF	1	PC	SNA
1	DC32-00010A	THERMISTOR	-,11982OHM AT 25□,-,-55~155,-	1	PC	SNA
2	DC97-16460H	ASSY SEMI TUB FRONT	Heba,1400RPM,8KG,FRP	1	PC	SA
2-1	DC61-01933C	TUB-FRONT	HEBA PJT,FRPP,ID528,OD575,NTR,	1	PC	SNA
2-2	DC97-16478D	ASSY TUB FRONT	Heba,WD0804W8N1/YAH,8.0KG	1	PC	SC
2-2-1	DC61-00158A	CLAMPER HOSE	SW65ASP,SK5,ID23,T0.8,-	1	PC	SNA
2-2-3	DC65-60118J	CLIP-RING	HSWR-SWRH,-,PI2.0/ID23	1	PC	SNA
2-2-4	DC67-00354A	HOSE-AIR	HEBA PJT,EPDM,BLK,7kg	1	PC	SA
2-2-5	DC67-00422A	HOSE-DRAWER TUB	HEBA-PJT,EPDM,BLK	1	PC	SC
2-2-6	DC65-60118R	CLIP-RING	AEGIS-PJT,HSWR-SWRH,T3.0,ID37,	1	PC	SA
2-2-7	DC72-00001G	CLIP-RING	HEBA-PJT,HSWR-SWRH,T3.0,ID49.5	1	PC	SNA
2-2-8	DC91-12077G	ASSY CLAMP DIAPHRAGM	AEGIS,WF8500NH/WYLP	1	PC	SA
2-2-9	DC65-00021A	CLAMPER HOSE-JOINT	HEBA PJT,HSWR-SWRH,ID	1	PC	SNA
2-3	DC97-14637G	ASSY HOSE PRESSURE	SCOUT COMBO,WD0804W8N	1	PC	SA
2-3-1	DC63-10003H	ABSORBER SPONGE	SPONGE-HOSE AIR,PU-FOAM,	1	PC	SNA
2-3-2	DC61-70029C	SPRING-CLIP	SEW-HW125,HSWR,CD1.2,ID8.3,W	2	PC	SNA
2-3-3	DC67-00230E	HOSE-WATER	WD8704,TPE,ID4.5,GRY	1	PC	SNA
2-3-4	DC67-00598A	HOSE-JIONT AIR	WD0804W8N1/YAH,PP,ID36.2,	1	PC	SNA
2-3-5	DC61-00158A	CLAMPER HOSE	SW65ASP,SK5,ID23,T0.8,-	1	PC	SNA
2-3-6	DC67-00293A	HOSE-FILTER TUB	HEBA-PJT,EPDM,-,-,T2.5,-	1	PC	SA
2-3-7	DC72-00001H	CLIP-RING	HEBA-PJT,HSWR-SWRH,PI3.0,ID35,	1	PC	SNA
2-4	DC97-15993A	ASSY HOSE-CIRCULATION	SCOUT,WF0804Y8E,EP	1	PC	SA
2-4-1	DC61-02646A	GUIDE-HOSE	WF0804Y8E,PP,T2.0,W9.8,L36.6,	2	PC	SNA
2-4-2	DC67-00471A	HOSE-CIRCULATION	WF0804Y8E,EPDM,ID9.0,OD	1	PC	SNA
2-4-3	DC67-00462A	HOSE-CONNECTOR	WF0804Y8E,PP,NTR,SCOUT-PJ	1	PC	SNA
2-5	DC64-01827A	DOOR-DIAPHRAGM	WD8704DJF,EPDM,T1.5,H83,W	1	PC	SNA
3	DC97-14373X	ASSY DRUM	HEBA DD,WD0804W8E1/XEU,NEW WRA	1	PC	SA
3-1	DC60-40137A	BOLT-HEX	MARS-PJT,STAINLESS-ST5430,M8,P1	3	PC	SA
3-2	DC66-00489A	DRUM-FRONT	HEBA PJT,STAINLESS-ST5430,ID3	1	PC	SNA
3-3	DC66-00492A	DRUM-BACK	HEBA PJT,STAINLESS-ST5430,ID48	1	PC	SNA
3-4	DC66-00493A	DRUM-LIFTER	HEBA PJT,PP,TI42,GRAY,7/8KG	3	PC	SA
3-5	DC66-00769A	DRUM-WRAPPER	SCOUT,STAINLESS-ST5430,OD 4	1	PC	SNA
3-6	DC97-14370H	ASSY FLANGE SHAFT	SSEC HEBA DD,WD0804W8N	1	PC	SA
4	DC97-16462C	ASSY SEMI TUB BACK	Heba PJT,WD0804W8N1/Y	1	PC	SA
4-1	DC62-00008A	SEAL-OIL	NBR,BLACK,-,NBU	1	PC	SA
4-2	DC61-02220A	TUB-BACK	HEBA-COMBO 1400rpm,FRPP,NTR	1	PC	SNA
4-3	DC69-01154A	PACKING-TUB	WF8804DP,EPDM,-,-,L1650	1	PC	SA

MODEL CODE: WD0804W8E3/XEC

Service Bom (SA: SERVICE AVAILABLE, SNA: SERVICE NOT AVAILABLE)

Drawing No.	Code No.	Description	Specification	QTY	Un	SA/SNA
4-4	DC63-01294A	COVER-MOTOR	SCOUT,EGI-SECC,T0.8,W75.1,L2	1	PC	SNA
4-5	DC69-00824A	PACKING-THERMISTOR	GW-PJT,EPDM,-,-,W17,H	1	PC	SNA
4-6	DC61-02874A	BRACKET-HEATER	WD0704CQR,STAINLESS-ST543	1	PC	SNA
5	DC96-01218E	ASSY DD BLDC MOTOR	DON800,25MM/AL WIRE/0	1	PC	SA
5-1	DC31-00074B	MOTOR BLDC-ASSY STATOR	DON800,0~1400,-,F	1	PC	SNA
5-2	DC31-00075E	MOTOR BLDC-ASSY ROTOR	DON800,0~1400,-,Fr	1	PC	SNA
5-3	DC31-00076A	MOTOR BLDC-ASSY HALL SENSOR	DON700, 800,	1	PC	SNA
6	DC93-00032B	ASSY DUCT CONDENSER	HEBA COMBO,WD8700,CO	1	PC	SA
6-1	6002-000444	SCREW-TAPPING	TH,+2,M4,L14,PASS,STS430	1	PC	SNA
6-2	DC62-00167A	NOZZLE-BALL	Q1636GW,SILICON,-,-,-,-,TS	1	PC	SNA
6-3	DC62-00182A	NOZZLE-CONNECTOR(U)	POM,NATURAL,TS-2 PJT	1	PC	SNA
6-4	DC62-00183A	NOZZLE-CONNECTOR(L)	POM,NATURAL	1	PC	SNA
6-5	DC65-00008B	CLAMPER HOSE	SSEC-GE,SK5,ID14.2,ZPC2,T1.	4	PC	SNA
6-6	DC65-00021B	CLAMPER HOSE-JOINT	HEBA-PJT,HSWR-SWRH,ID	2	PC	SNA
6-7	DC67-00051B	HOSE-DRAWER	Q1636GW/XEU,EPDM,ID9.0,OD14.	0.07	M	SNA
6-8	DC67-00369A	HOSE-CONDENSER	HEBA COMBO,EPDM,ID60,OD65	1	PC	SNA
6-9	DC67-00418A	HOSE-WATER	HEBA-COMBO,EPDM,ID9,OD14.5,T2	1	PC	SNA
6-10	DC93-00031B	ASSY S.DUCT CONDENSER	HEBA COMBO,WD8700,	1	PC	SNA
6-11	DC69-00640A	PACKING-FILTER	DRUM W/M,CB,SILICON,T2.5,	1	PC	SNA
7	DC97-14263A	ASSY BOLT	HEBA-PJT,MOTOR/BOLT(M8)+WASHER	2	PC	SA
8	DC66-00421B	DAMPER-SHOCK	HEBA-SSEC PJT,PP,L215,80N	2	PC	SA
9	DC60-40144A	BOLT-HEX	SM10C,L35,ZPC2(YEL),M10,ZPC2(YE	2	PC	SA
10	6011-001627	BOLT-ETC	M6,L56,MFZn,SCM435,P1.0/HEX/WSP	6	PC	SNA
11	6011-003728	BOLT-ETC	M12,L32,ZPC2,SWRCH10AK,WSP WASH	1	PC	SNA
12	DC47-00033B	HEATER-WASH	HEBA,SUS316L,2000,8.69,230V,	1	PC	SA
13	6011-003934	BOLT-HEX	M7.6,L48,ZPC(WHT),SCM 435,WASHE	6	PC	SA
14	DC97-15966A	ASSY WEIGHT BALANCER-(R)	SCOUT-PJT,WFO80	1	PC	SA
15	DC97-16008A	ASSY WEIGHT BALANCER-(L)	SCOUT-PJT,WFO80	1	PC	SA

4. ASS'Y FRAME FRONT

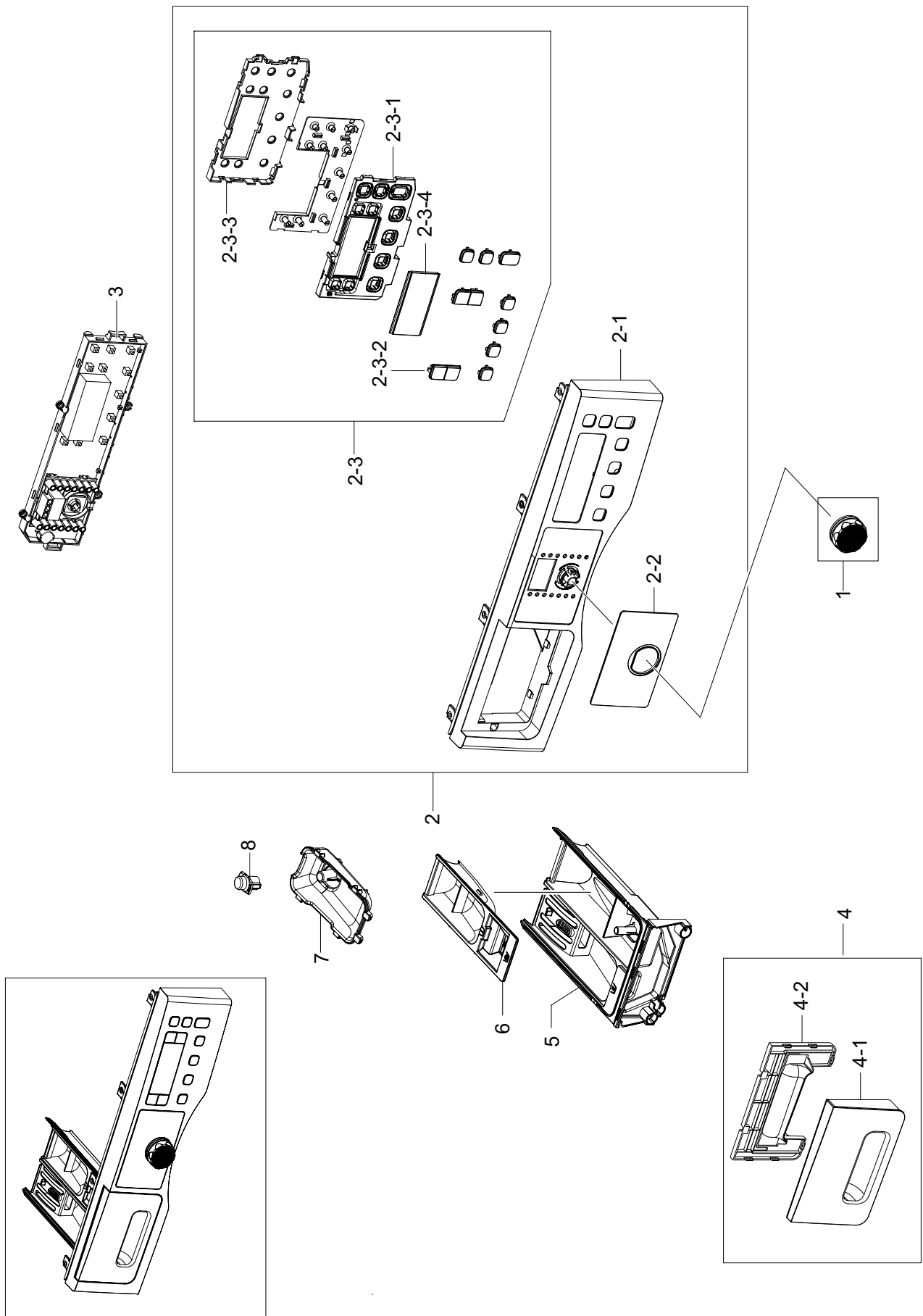


MODEL CODE: WD0804W8E3/XEC

Service Bom (SA: SERVICE AVAILABLE, SNA: SERVICE NOT AVAILABLE)

Drawing No.	Code No.	Description	Specification	QTY	Un	SA/SNA
1	DC61-01917B	GUIDE-FILTER	WF8804DP,PP,T2.0,W118.9,L14	1	PC	SA
2	DC61-01919A	BRACKET-HINGE	WF8804DP,GI-SGCC,T1.4,L161	1	PC	SA
3	DC63-01516A	COVER-FILTER	WF8804DPA,ABS,T2.5,115.7,15	1	PC	SA
4	DC64-01538A	DOOR-LOCK S/W	ZV-446L5,PA,W95,L52,WHITE,	1	PC	SA
5	DC97-16966B	ASSY DOOR	SCOUT-COMBO,WD0804W8N1/YAH	1	PC	SNA
5-1	DC97-15375J	ASSY HOLDER GLASS	HEBA,WF0804Y8E1/YLP	1	PC	SA
5-1-1	6002-000445	SCREW-TAPPING	TH,+,NO,2,M4,L18,PASS,STS4	4	PC	SNA
5-1-2	DC61-00891A	GUIDE-HINGE	HAUZEN(DOM),POM,-,-,-,WHT,HI	4	PC	SA
5-1-3	DC61-01909B	HOLDER-GLASS	WF8804DPA,PP,T2.5,OD479.5,G	1	PC	SNA
5-1-4	DC61-01915B	BRACKET-HOLDER	WF8804DP,GI-SGCC,T1.2,N/A	1	PC	SA
5-1-5	DC61-02027A	SPRING ETC-LEVER	STAINLESS-STS304,CD1.2,	1	PC	SA
5-1-6	DC61-03189A	HINGE-DOOR	WF8804DP,PA66,T5.0,W51.7,L156	1	PC	SA
5-1-7	DC63-00853E	COVER HANDLE	HEBA,ABS,T2.5,Noble Gray,-	1	PC	SA
5-1-8	DC64-00564A	HANDLE-PIN	Q1636GW/XEU,STS,-,-,-,-,TS-	1	PC	SA
5-1-9	DC64-01524C	HANDLE DOOR	HEBA,ABS,T2.5,Noble Gray	1	PC	SA
5-1-10	DC66-00497A	LEVER-DOOR	WF8804DP,ZNDC,T10,W10,L46,NI	1	PC	SC
5-2	DC64-01521A	DOOR-GLASS	WF8804DP,GLASS,T5.0,H120.5,NA	1	PC	SA
5-3	DC97-16932A	ASSY COVER DOOR	SCOUT-COMBO,WD0804W8N,AB	1	PC	SA
5-3-1	DC63-01416B	COVER-DOOR	WD0804W8E,ABS,T2.5,D480,CR,SC	1	PC	SNA
5-3-2	DC64-01897A	DOOR-SAFETY	WD8704DJF,PET,T2.5,H24.1,W32	1	PC	SNA
6	DC97-16454A	ASSY FRAME FRONT	HEBA-PJT,WF8804DPA/XEO,	1	PC	SA
6-1	DC61-02919A	FRAME-FRONT	WF8804HPA,EGI-SECC,T0.8	1	PC	SNA
6-2	DC60-00018A	RIVET-PLATE	MSWR-SWRH,D4,L43,WHT	4	PC	SNA
6-3	DC61-01981A	BRACKET-FRAME	WF8804DP,GI-SGCC,T0.8,W20,	1	PC	SNA
7	DC63-00967A	COVER-DOOR SWITCH	AEGIS-PJT/ WF8500NHW,P	1	PC	SA
8	DC91-12078D	ASSY WIRE DIAPHRAGM	HEBA-PJT,-,-,-,-,-	1	PC	SA

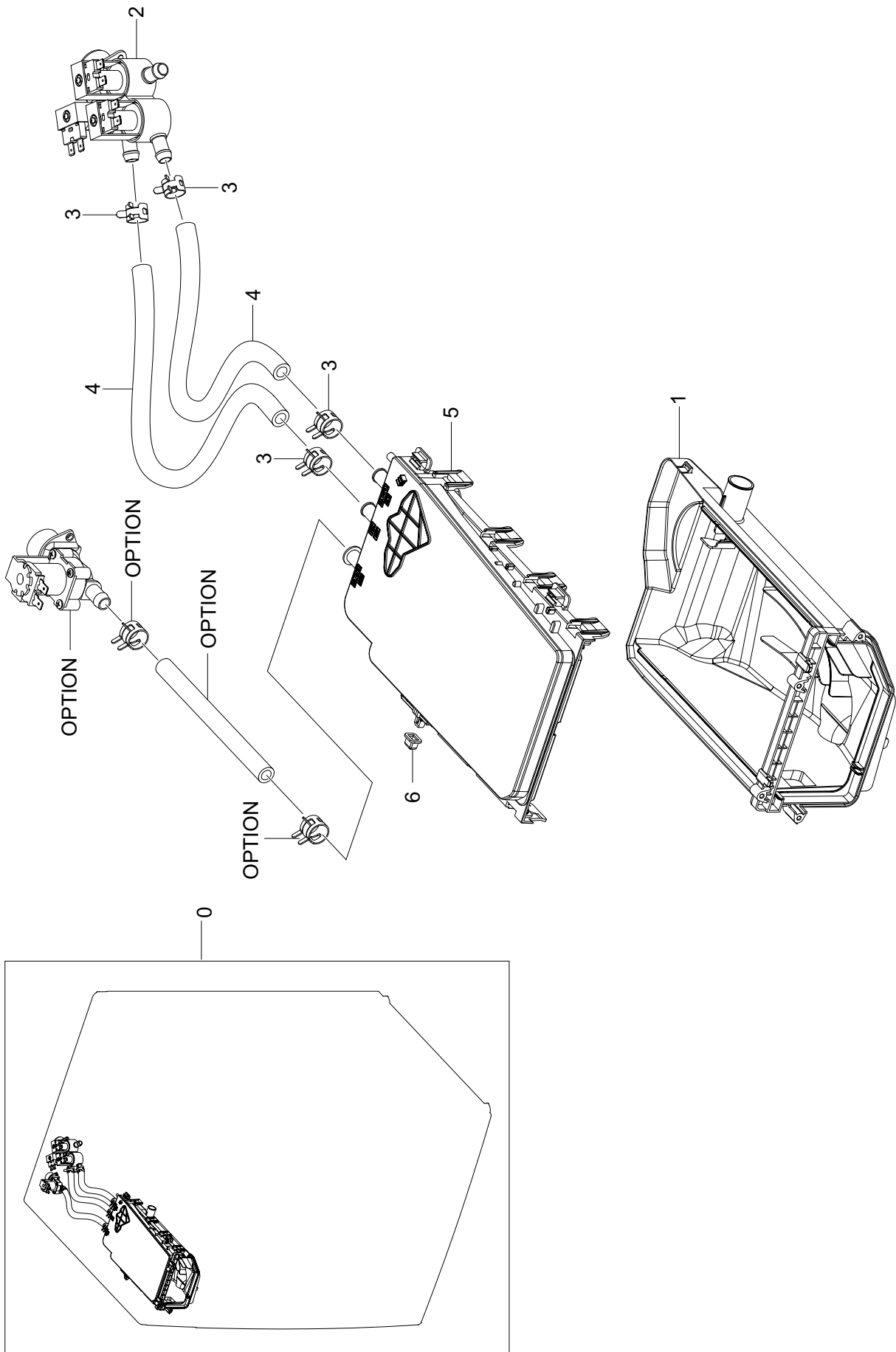
5. PANEL-CONTROL & DRAWER



MODEL CODE: WD0804W8E3/XECService Bom (**SA**: SERVICE AVAILABLE, **SNA**: SERVICE NOT AVAILABLE)

Drawing No.	Code No.	Description	Specification	QTY	Un	SA/SNA
1	DC97-17357A	ASSY KNOB ENCODER	SEINE/BAIKAL/VOLGA	1	PC	SA
2	DC97-16875Z	ASSY PANEL CONTROL	SCOUT COMBO,WD0804W8E	1	PC	SA
2-1	DC64-02165A	PANEL-CONTROL	WF0804Y8E,ABS,T2.5,W143.8,	1	PC	SNA
2-2	DC64-02815A	WINDOW-ENCODER	WD0804W8E/XEC,PC,SPANISH	1	PC	SNA
2-3	DC97-16571V	ASSY BUTTON	SCOUT COMBO,WD0804W8E/XEC,8.	1	PC	SNA
2-3-1	DC64-02735A	BUTTON-PUSH(F)	SCOUT,ABS,DA WHITE	4	PC	SNA
2-3-2	DC64-02736A	BUTTON-PUSH(O)	SCOUT,ABS,DA WHITE	1	PC	SNA
2-3-3	DC63-01153A	COVER-BUTTON(L)	WF0804Y8E,ABS,T1.5,W191.	1	PC	SNA
2-3-4	DC64-02171A	WINDOW-PANEL	WF0804Y8E.,PMMA,TRANSPARENT	1	PC	SNA
3	DC92-00532A	ASSY PCB SUB	SCOUT SUB,WD0804W8E/YAH,8KG	1	PC	SA
4	DC97-16655A	ASSY PANEL DRAWER	SCOUT,WF0804Y8E1/XEF,8	1	PC	SA
4-1	DC64-02173A	PANEL-DRAWER	WF0804Y8E,ABS,T2.5,W183.4,L	1	PC	SNA
4-2	DC64-01527A	HANDLE-DRAWER	HEBA-PJT,ABS,T2.0,WHT	1	PC	SNA
5	DC61-03129A	BODY-DRAWER	WF1802XEC/YLP,PP,T2.0,WHT,VO	1	PC	SA
6	DC67-00452A	CAP-RINSE	WF0800NCE,PP,W66.4,L219.2,ECO	1	PC	SNA
7	DC61-02581C	GUIDE-LIQUID(M)	WF1802XEC,PP,T2.0,W61,W1	1	PC	SA
8	DC67-00524A	CAP-DRAWER	WF0804Y8E/XEF,PP,T2.0,W27,L43	1	PC	SA

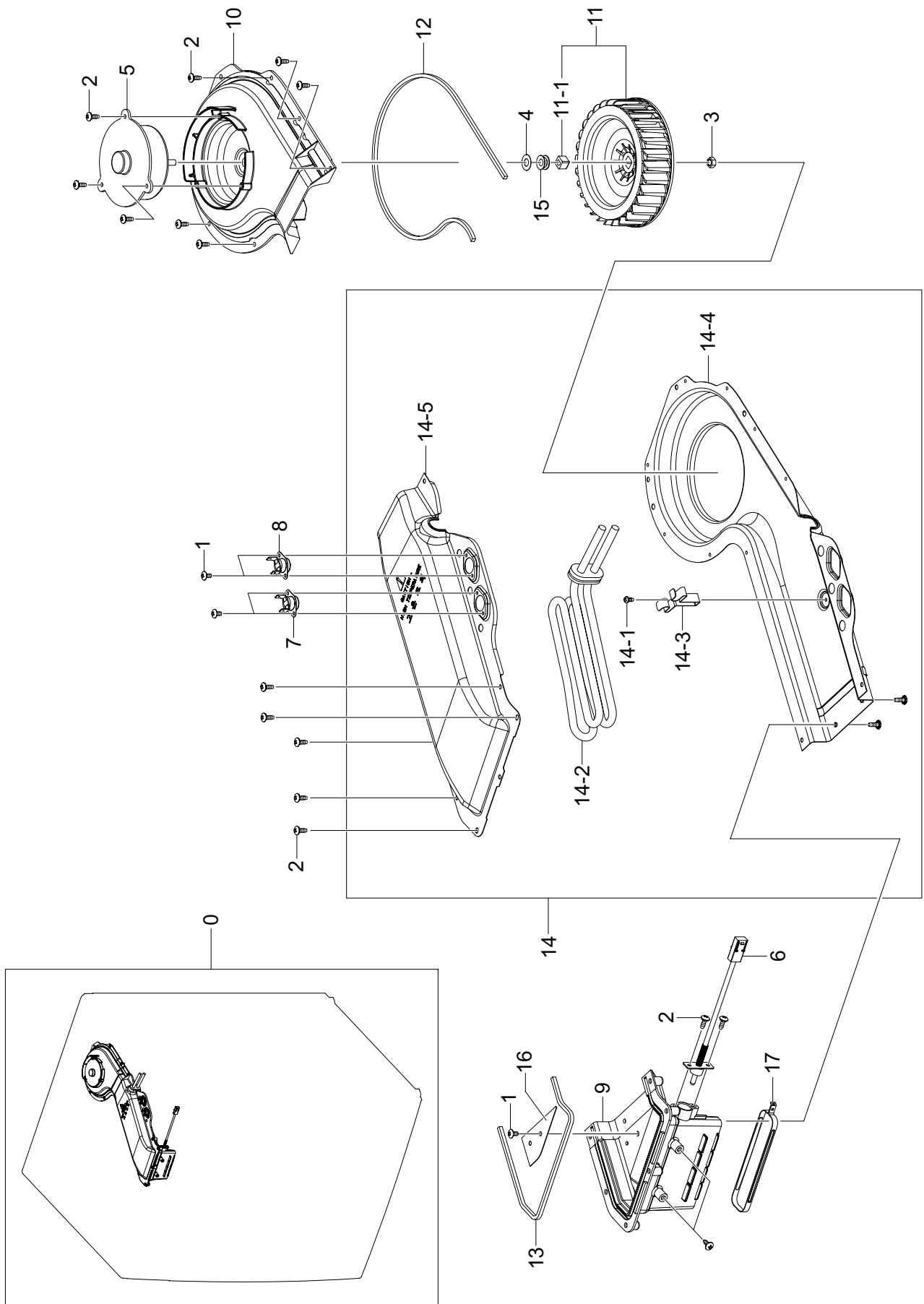
6. ASS'Y HOUSING DRAWER



MODEL CODE: WD0804W8E3/XECService Bom (**SA**: SERVICE AVAILABLE, **SNA**: SERVICE NOT AVAILABLE)

Drawing No.	Code No.	Description	Specification	QTY	Un	SA/SNA
0	DC97-16005E	ASSY HOUSING DRAWER	SCOUT,WD0804W8E,Comb	1	PC	SA
1	DC61-02434A	HOUSING-DRAWER L	HEBA-PJT,PP,T1.8,NTR	1	PC	SA
2	DC62-00233B	VALVE WATER	220-240,BLU,10,D-3	1	PC	SA
3	DC65-00008B	CLAMPER HOSE	SSEC-GE,SK5,ID14.2,ZPC2,T1.	4	PC	SNA
4	DC67-00051B	HOSE-DRAWER	Q1636GW/XEU,EPDM,ID9.0,OD14.	0.4	M	SNA
5	DC97-16006A	ASSY S.HOUSING DRAWER	SCOUT,WF0804Y8E,PP	1	PC	SNA
6	DC67-00327A	CAP-DRAWER HOOK	HEBA-PJT,EPDM,T1.1,W13.9	1	PC	SNA

7. ASS'Y DUCT SCROLL

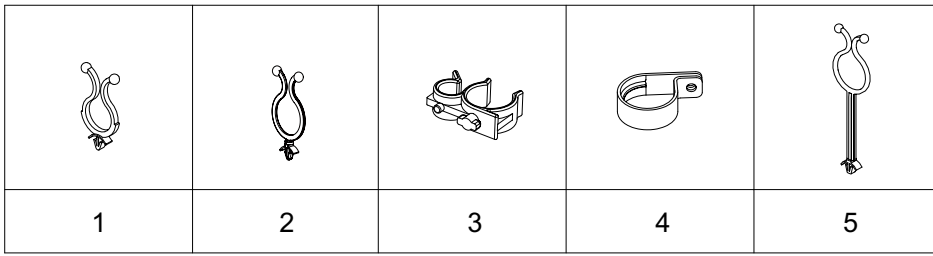


MODEL CODE: WD0804W8E3/XEC

Service Bom (SA: SERVICE AVAILABLE, SNA: SERVICE NOT AVAILABLE)

Drawing No.	Code No.	Description	Specification	QTY	Un	SA/SNA
0	DC93-00033A	ASSY DUCT SCROLL	HEBA-COMBO,WD8700,-,-,-	1	PC	SA
1	6002-000239	SCREW-TAPPING	TH,+,NO,2S,M4,L8,ZPC(WHT),	5	PC	SNA
2	6006-001174	SCREW-TAPPING	TH,+,WE,2S,M4,L12,ZPC(WHT)	23	PC	SNA
3	6021-000225	NUT-HEXAGON	2C,M6,ZPC(YEL),SM20C	1	PC	SNA
4	6031-001500	WASHER-PLAIN	N6M03,-,ID8,OT17,T0.2,-,-	1	PC	SNA
5	DC31-00032D	MOTOR BLDC-FAN	DL-7806SSWC,1700,17.5VDC,	1	PC	SA
6	DC32-00004C	THERMISTOR	PTM-K51F-S16,R=3.3KΩ±5%(at 10	1	PC	SNA
7	DC47-00016B	THERMOSTAT	125/250V,25A,-35,125+-5.0	1	PC	SNA
8	DC47-00016C	THERMOSTAT	125/250V,16A,-35,125+-5.0	1	PC	SNA
9	DC61-02224A	HOUSING-FAN(L/F)	HEBA-COMBO,PA,T2.5,BLK	1	PC	SNA
10	DC61-02229A	HOUSING-FAN(U/R)	HEBA-COMBO,PA,T3.0,BLK	1	PC	SNA
11	DC67-00366A	FAN-DRY	HEBA,PA,OD138.0,30EA,T2.0,HEBA-P	1	PC	SNA
11-1	DC61-01096A	BUSH-FAN	ZNDC,INSERT-PART	1	PC	SNA
12	DC69-01039E	PACKING-DUCT	WM PW01 FWM MODEL,Rubber,T4	1	PC	SNA
13	DC69-01039G	SEAL DUCT	WM PW01 FWM MODEL,SILICON,OTHE	1	PC	SNA
14	DC93-00056A	ASSY DUCT SCROLL-SUB	HEBA-COMBO,WM PW01	1	PC	SNA
14-1	6006-001174	SCREW-TAPPING	TH,+,WE,2S,M4,L12,ZPC(WHT)	1	PC	SNA
14-2	DC47-00008F	HEATER-DRY	-,HEBA-DD COMBO,Incoloy800,16	1	PC	SA
14-3	DC61-02643A	BRACKET-HEATER	WD8754CJZ,STAINLESS-ST543	1	PC	SNA
14-4	DC61-02225A	HOUSING-FAN(L)	HEBA-COMBO,STAINLESS-ST54	1	PC	SNA
14-5	DC61-02226A	HOUSING-FAN(U/F)	HEBA-COMBO,STAINLESS-ST	1	PC	SNA
15	DC62-00191A	SEAL-WATER	SEW-DR605,NBR,BLACK,RUBBER /	1	PC	SNA
16	DC63-01067A	COVER-HOUSING DUCT	HEBA-COMBO,STAINLESS-	1	PC	SNA
17	DC66-00504A	JOINT-DIAPHRAGM	WF8804DP,EGI,-,-,T1.0,11	1	PC	SA

8. SMALL PARTS



MODEL CODE: WD0804W8E3/XEC

Service Bom (SA: SERVICE AVAILABLE, SNA: SERVICE NOT AVAILABLE)

Drawing No.	Code No.	Description	Specification	Inst point	QTY	Un	SA/SNA
1	DC61-40081A	HOLDER-WIRE	DAWH-2NC,PA,-,NATURAL,-	BKT-L(R)+WIRE	1	PC	SA
1	DC61-40081A	HOLDER-WIRE	DAWH-2NC,PA,-,NATURAL,-	WIRE(MAIN)+FRAME	3	PC	SA
1	DC61-40081A	HOLDER-WIRE	DAWH-2NC,PA,-,NATURAL,-	BKT-SPRING(R)	4	PC	SA
1	DC61-40081A	HOLDER-WIRE	DAWH-2NC,PA,-,NATURAL,-	FRAME(BACK->TOP)	1	PC	SA
2	DC61-40083A	HOLDER-WIRE	DAWH-3ND,NYLON66,NTR(PI24.4)	FRAME-PLATE(U)	1	PC	SNA
2	DC61-40083A	HOLDER-WIRE	DAWH-3ND,NYLON66,NTR(PI24.4)	FRAME+HOSE(O)	1	PC	SNA
2	DC61-40083A	HOLDER-WIRE	DAWH-3ND,NYLON66,NTR(PI24.4)	WIRE+FRAME(BACK_LO)	3	PC	SNA
2	DC61-40083A	HOLDER-WIRE	DAWH-3ND,NYLON66,NTR(PI24.4)	WIRE(MAIN)+FRAME	1	PC	SNA
3	DC61-00133A	CLAMPER HOSE-FIX	P1291,PP,-,HOSE+PLUG,BJ	FRM+H-DRAIN+P-CODE	1	PC	SA
4	DC61-00118A	CLAMPER HOSE-FIX	P1291,PA66,ID27,OD30	H-DRAIN(O)+FRAME	1	PC	SA
5	DC61-00995C	HOLDER-WIRE	HEBA-PJT,PA,ID26,W6,L145,NYL	BKT-L(R)+H-DRAIN(O)	1	PC	SA

9. OTHER PARTS (SA PARTS)

MODEL CODE: WD0804W8E3/XEC

Service Bom (SA: SERVICE AVAILABLE, SNA: SERVICE NOT AVAILABLE)

SVC Code	Code No.	Description	Specification	QTY	Un	SA/SNA
M0030	DC97-14006C	ASSY SCREW	GRIFFIN-PJT,WF9904RWE,SWRCH18	2	PC	SA
G0425	6009-001522	SCREW-HEX	HWH,+,M5,L16,PASS,STS430,FP,SE	2	PC	SA

10. PARTS LIST (SCREW PARTS)

MODEL CODE: WD0804W8E3/XEC

Service Bom (SA: SERVICE AVAILABLE, SNA: SERVICE NOT AVAILABLE)

SVC Code	Code No.	Description	Specification	QTY	Un	SA/SNA
W0105	6002-000520	SCREW-TAPPING	TH,+,-,2,M4,L12,ZPC(WHT),S	4	PC	SNA
F0056	6003-001768	SCREW-TAPTYPE	TH,+ ,WT,S,M4,L10,ZPC(WHT),	2	PC	SNA
W0105	6006-001174	SCREW-TAPPING	TH,+ ,WE,2S,M4,L12,ZPC(WHT)	5	PC	SNA
W0105	6002-001327	SCREW-TAPPING	PWH,+ ,1,M4,L12,ZPC(WHT),SW	6	PC	SNA
W0105	6006-001174	SCREW-TAPPING	TH,+ ,WE,2S,M4,L12,ZPC(WHT)	2	PC	SNA
W0105	DE60-10080A	SCREW-TAPPING	PWH,+ ,-,2S,M5,L9,-,SWRCH18	2	PC	SNA
W0105	6002-000444	SCREW-TAPPING	TH,+ ,2,M4,L14,PASS,STS430	5	PC	SNA
W0105	6002-000445	SCREW-TAPPING	TH,+ ,NO,2,M4,L18,PASS,STS4	2	PC	SNA
W0105	6002-000520	SCREW-TAPPING	TH,+ ,-,2,M4,L12,ZPC(WHT),S	1	PC	SNA
W0105	6002-001438	SCREW-TAPPING	HWH,+ ,NO,1,M5,L12,ZPC(WHT)	2	PC	SNA
W0105	6006-001174	SCREW-TAPPING	TH,+ ,WE,2S,M4,L12,ZPC(WHT)	5	PC	SNA
W0102	6009-001343	SCREW-SPECIAL	PH,TORX,M4,L12,ZPC(WHT),SW	1	PC	SNA
W0105	6002-000520	SCREW-TAPPING	TH,+ ,-,2,M4,L12,ZPC(WHT),S	2	PC	SNA
W0085	6001-000115	SCREW-MACHINE	BH,+ ,-,M3,L10,ZPC(WHT),SWR	2	PC	SNA
W0105	6002-000630	SCREW-TAPPING	PH,+ ,NO,2S,M3,L8,ZPC(WHT),	4	PC	SNA
W0105	6002-000239	SCREW-TAPPING	TH,+ ,NO,2S,M4,L8,ZPC(WHT),	5	PC	SNA
W0105	6006-001174	SCREW-TAPPING	TH,+ ,WE,2S,M4,L12,ZPC(WHT)	23	PC	SNA
W0105	6006-001174	SCREW-TAPPING	TH,+ ,WE,2S,M4,L12,ZPC(WHT)	1	PC	SNA
W0105	6002-001436	SCREW-TAPPING	PH,+ ,2,M4,L18,ZPC(WHT),SWR	6	PC	SNA
	6003-001563	SCREW-TAPTYPE	TH,+ ,S,M4,L8,NI PLT,SWRCH1	2	PC	SNA
W0105	6002-000445	SCREW-TAPPING	TH,+ ,NO,2,M4,L18,PASS,STS4	4	PC	SNA
W0105	6002-000520	SCREW-TAPPING	TH,+ ,-,2,M4,L12,ZPC(WHT),S	1	PC	SNA
W0105	6002-000444	SCREW-TAPPING	TH,+ ,2,M4,L14,PASS,STS430	1	PC	SNA
G0425	6009-001367	SCREW-HEX	HWH,+ ,-,M6.5,L32,ZPC(WHT),SWRC	16	PC	SNA
W0105	6002-001006	SCREW-TAPPING	TH,+ ,-,2S,M4,L12,PASS,STS4	3	PC	SNA
W0105	6002-000445	SCREW-TAPPING	TH,+ ,NO,2,M4,L18,PASS,STS4	2	PC	SNA
W0105	6002-000520	SCREW-TAPPING	TH,+ ,-,2,M4,L12,ZPC(WHT),S	1	PC	SNA
	6002-001554	SCREW-TAPPING	TH,+ ,No,1,M4,L12,STS430,HE	2	PC	SNA
W0105	6002-000520	SCREW-TAPPING	TH,+ ,-,2,M4,L12,ZPC(WHT),S	4	PC	SNA
	6002-001554	SCREW-TAPPING	TH,+ ,No,1,M4,L12,STS430,HE	2	PC	SNA
G0425	6009-001522	SCREW-HEX	HWH,+ ,M5,L16,PASS,STS430,FP,SE	2	PC	SA
W0105	6002-000239	SCREW-TAPPING	TH,+ ,NO,2S,M4,L8,ZPC(WHT),	2	PC	SNA
	6002-001554	SCREW-TAPPING	TH,+ ,No,1,M4,L12,STS430,HE	12	PC	SNA
W0105	6002-000445	SCREW-TAPPING	TH,+ ,NO,2,M4,L18,PASS,STS4	4	PC	SNA