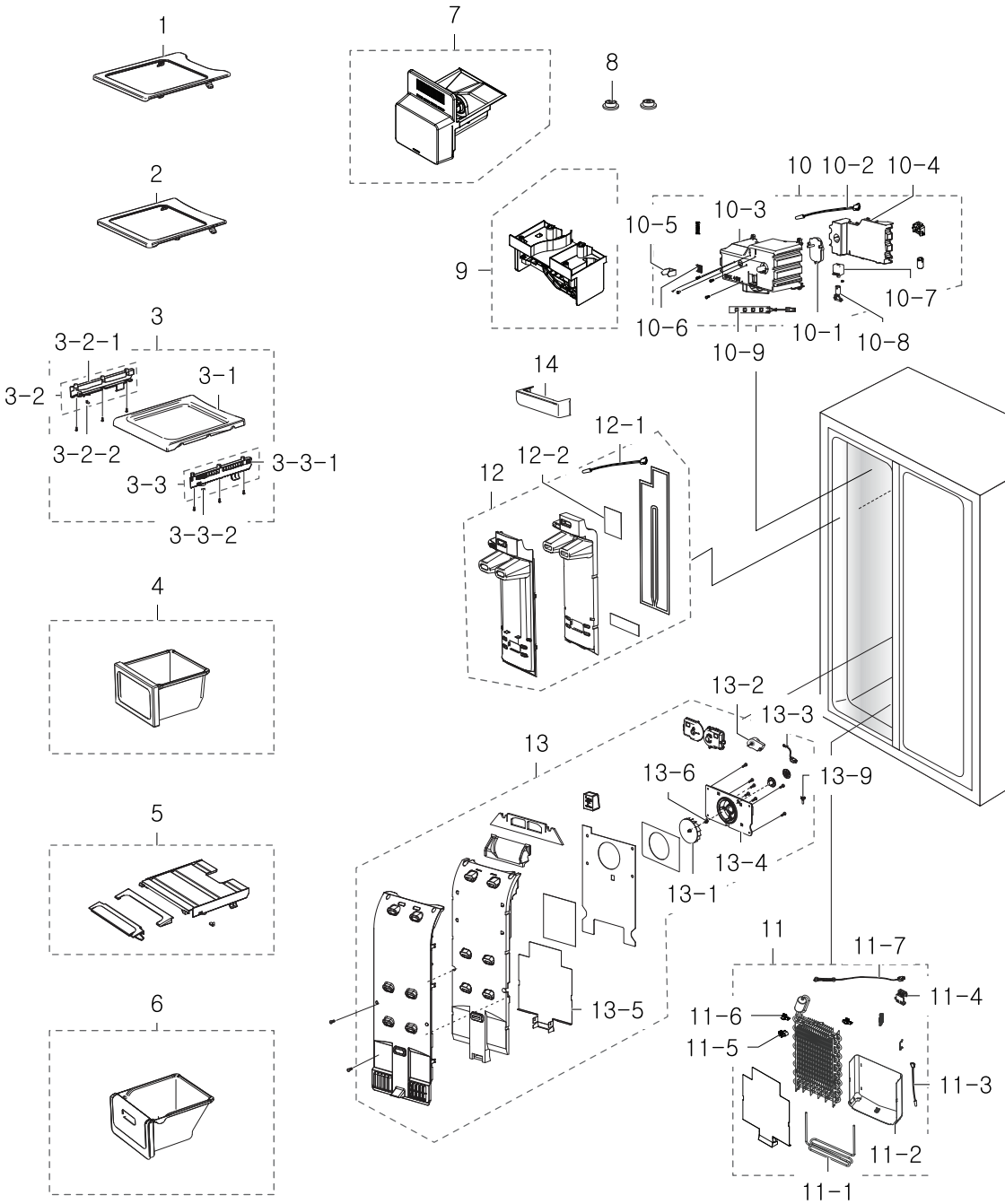


# 1. Freezer

## Exploded View



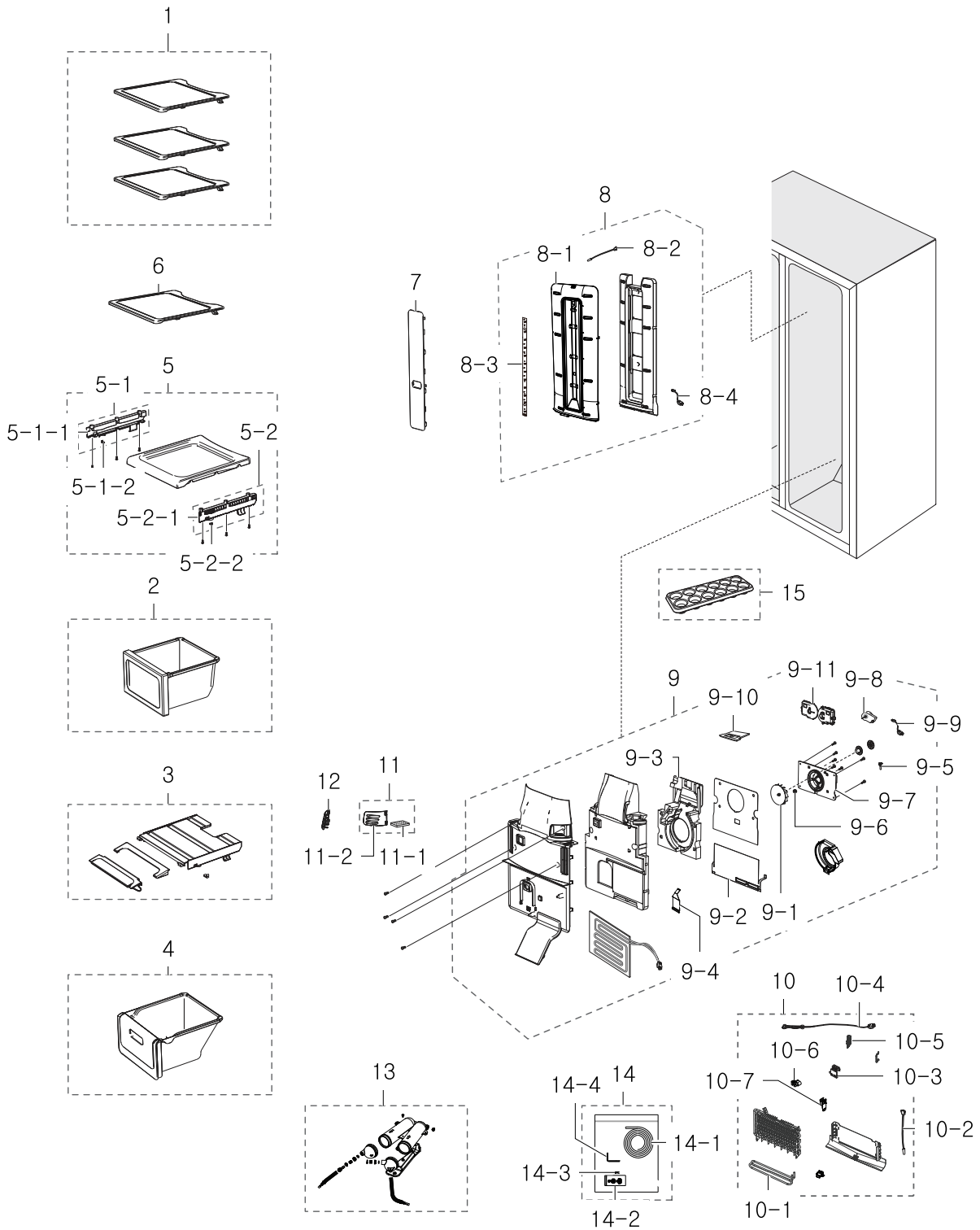
**Parts List**

No.	Lvl.	Loc.	Material Code	Description & Specification	SNA	Qty.
1	2		DA97-08046D	ASSY SHELF FRE-TOP; HERMES(DISP),HIPS, TE	SA	1
2	2	RE064	DA97-08044D	ASSY SHELF FRE-MID; HERMES,HIPS,TEMPERED	SA	1
3	2	RF022	DA97-06927A	ASSY-SHELF FRE LOW; HERMES-PJT,-,-,-	SA	1
3-1	3	RF360	DA67-02110A	SHELF-FRE LOW; HERMES-PJT,HIPS,-,-,-,COOL	SA	1
3-2	3	RR838	DA97-05233B	ASSY RAIL-BOX L; HERMES-PJT,T2.0,W17,L260	SA	1
3-2-1	4	RK458	DA61-03413B	RAIL-BOX L; HERMES-PJT,TALC PP,-,-,-,NATU	SA	1
3-2-2	4	RK243	DA63-00202C	GROMMET-RAIL; TD-PJT,NY-66,W10.7,COOL WHI	SA	1
3-3	3	RR840	DA97-05234B	ASSY RAIL-BOX R; HERMES-PJT,T2.0,W17,L260	SA	1
3-3-1	4	RK460	DA61-03412B	RAIL-BOX R; HERMES-PJT,TALC PP,-,-,-,NATU	SA	1
3-3-2	4	RK243	DA63-00202C	GROMMET-RAIL; TD-PJT,NY-66,W10.7,COOL WHI	SA	1
4	2	RI248	DA97-05047B	ASSY-CASE BASKET HIGH; HERMES,GPPS+HIPS,-	SA	1
5	2	RI249	DA97-05049C	ASSY-COVER SLIDE BASKET; HERMES,ABS+HIPS,	SA	1
6	2	RI170	DA97-05046B	ASSY-CASE BASKET LOW; HERMES,GPPS+HIPS,-	SA	1
7	2	RM091	DA97-05081G	ASSY-TRAY ICE BUCKET; HERMES-PJT,MSWR10	SA	1
8	2	RH020	DA61-01797A	FIXER GROMMET-DOOR; T3-PJT,PP,SC-02740R	SA	2
9	2	RM001	DA97-05071B	ASSY ICE MAKER-MECH; HERMES,-,-,-,-,-	SA	1
10	2	RQ095	DA97-08744D	ASSY-CASE AUGER MOTOR; HERMES10,LED,230V,	SA	1
10-1	3	RF434	DA31-00105F	MOTOR GEARED-AUGER; ISG3240SSH-1,OVER 72K	SA	1
10-2	3	RM035	DA96-00682B	ASSY W/HARNES-SUB EM; HM10-PJT,100~240V	SA	1
10-3	3	RF417	DA61-06042A	CASE-AUGER MOTOR; HM10,ABS,COOL-WHITE(SC-	SA	1
10-4	3	RF243	DA63-03528B	COVER-AUGER MOTOR; HERMESS,PP,-,-,-,-,-,N	SA	1
10-5	3	RF292	DA70-20017A	PLATE-D/AUGER DISP; STS304,L127xD14.4	SA	1
10-6	3	RM031	DA71-00163A	FIXER-NUT; ZIPEL,STS420,T1,-,CLIP,STS420-	SA	1
10-7	3	RO088	DA74-40151F	VALVE-SOLENOID; SR-S6586B,-,-,-,-,-,CUBE-SN	SA	1
10-8	3	RR108	DA66-90003A	GEAR-SOLENOID; POM,-,-,-,-,-,SC-93438R	SA	1
10-9	3		DA41-00519P	ASSY-ROOM LAMP LED; SSEDAC,CEM-1,100*20*1	SA	2

No.	Lvl.	Loc.	Material Code	Description & Specification	SNA	Qty.
11	2	RF011	DA96-00675N	ASSY EVAP-FRE; HERMES,FIN PIPE,A1070S-H14	SA	1
11-1	3		DA47-00320L	HEATER-SHEATH-METAL FRE; HM10,INCOLOY840,	SA	1
11-2	3	RF169	DA61-05989B	PLATE-DRAIN EVAP FRE; HERMES,GL-SAZCC,T0.	SA	1
11-3	3	RR336	DA32-00029N	SENSOR TEMP; DTN-C502G6X,NEXT-PJT,40~110	SA	1
11-4	3	RK215	DA61-00603A	FIXER-SENSOR; n-PJT,PP,-,-,-	SA	1
11-5	3	RR006	DA61-06013A	FIXER-WIRE; AW3-PJT,PP,NTR	SC	2
11-6	3	RF217	DA61-05160A	FIXER-FUSE; CULLI_09,PP,NATURAL,BJ750	SA	1
11-7	3	RR342	DA47-00301F	THERMO FUSE-ASSY; TWIN,250V,10A,109~110	SA	1
12	2	RF439	DA97-05063D	ASSY-COVER MULTI FRE; HERMES09,DISP	SA	1
12-1	3	RR337	DA32-10105V	SENSOR TEMP; 502AT,N PJT,-50~50,5V,-,-,RO	SA	1
12-2	3	RF141	DA61-03393B	PLATE-MULTI FRE REAR HIGH; HERMES,PP,-,W1	SA	1
13	2	RF005	DA97-05052P	ASSY-COVER EVAP FRE; HERMES10	SA	1
13-1	3	RK182	DA31-00053A	FAN-BACKWARD; -,A-TOP,ABS,-,FRE	SA	1
13-2	3	RF431	DA31-00146E	MOTOR FAN-BLDC; DREP5020LB,0.267,3.2,2520	SA	1
13-3	3	RY711	DA39-00060B	WIRE HARNESS-MOTOR; -,,-,-,-,-,F-FAN,-,-	SC	1
13-4	3	RY172	DA61-00417A	CASE MOTOR; A-TOP,ABS,-,-,-,NTR,SBS	SA	1
13-5	3	RF168	DA61-05991C	PLATE-EVAP HEATER FRE; HERMES,GL-SAZCC,T0	SA	1
13-6	3	RR053	DA61-20128A	SPRING ETC-FAN; STS304,PI8.8,ID7.8,OD9.8,	SA	1
13-9	3	RR066	DA63-40167A	GROMMET-COVER CHIL; SILICON,L16,WHITE	SA	1
14	2	RF396	DA63-05623A	COVER-LAMP FRE; HERMES,PP,NTR,DISP,LED	SA	1

# 2. Fridge

## Exploded View



## Parts List

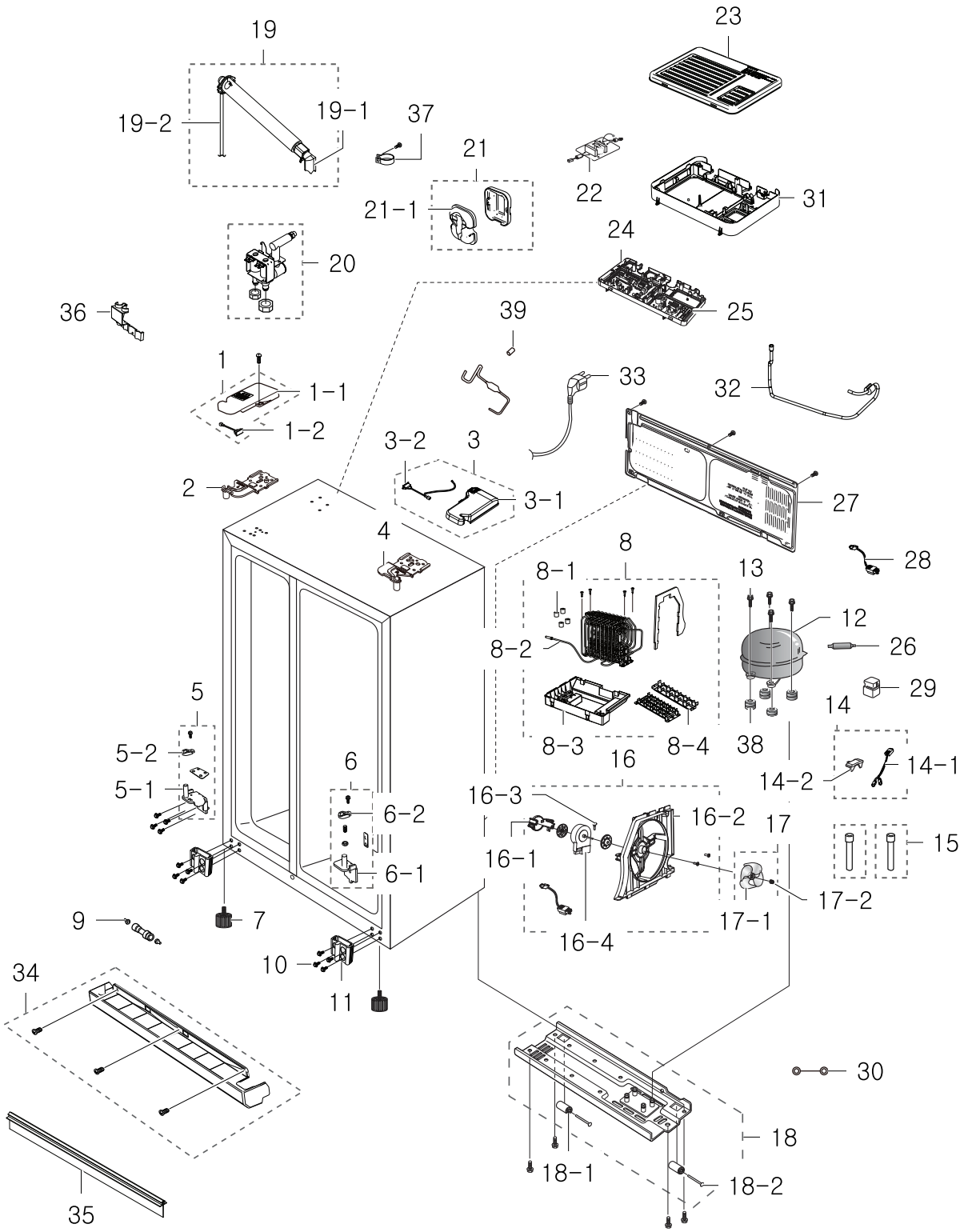
No.	Lvl.	Loc.	Material Code	Description & Specification	SNA	Qty.
1	2	RI672	DA67-01694A	SHELF REF-TOP; HERMES-PJT,PP+GLASS,T2.0,	SA	3
2	2	RI087	DA97-05045B	ASSY-CASE VEG HIGH; HERMES,GPPS+HIPS,-,-	SA	1
3	2	RG143	DA97-05048D	ASSY-COVER SLIDE VEG; HERMES,ABS+HIPS,WRA	SA	1
4	2	RI001	DA97-05044B	ASSY-CASE VEG LOW; HERMES,GPPS+HIPS,-,-	SA	1
5	2	RI039	DA97-06928A	ASSY-SHELF REF LOW; HERMES,-,-,-	SA	1
5-1	3	RR838	DA97-05233B	ASSY RAIL-BOX L; HERMES-PJT,T2.0,W17,L260	SA	1
5-1-1	4	RK458	DA61-03413B	RAIL-BOX L; HERMES-PJT,TALC PP,-,-,-,NATU	SA	1
5-1-2	4	RK243	DA63-00202C	GROMMET-RAIL; TD-PJT,NY-66,W10.7,COOL WHI	SA	1
5-2	3	RR840	DA97-05234B	ASSY RAIL-BOX R; HERMES-PJT,T2.0,W17,L260	SA	1
5-2-1	4	RK460	DA61-03412B	RAIL-BOX R; HERMES-PJT,TALC PP,-,-,-,NATU	SA	1
5-2-2	4	RK243	DA63-00202C	GROMMET-RAIL; TD-PJT,NY-66,W10.7,COOL WHI	SA	1
6	2	RI664	DA67-02109A	SHELF REF-MID; HERMES-PJT,PP+GLASS,-,W443	SA	1
7	2	RG028	DA63-05298A	COVER-LAMP REF; HM10,LED,PP,NTR	SA	1
8	2	RI019	DA97-08257F	ASSY COVER-MULTI REF; HM10,IN_DOOR,LED,PP	SA	1
8-1	3	RI528	DA63-05295A	COVER-MULT REF; HM10,PP,COOL-WHITE(SC-027	SA	1
8-2	3	RK732	DA32-10105U	SENSOR TEMP; 502AT,A-TOP,-50~50,5V,-,-,RO	SA	1
8-3	3		DA41-00519Y	PBA COSMO-LED LAMP; SSEDA,FR-4,490*20,9 E	SA	1
8-4	3	RR867	DA96-00424F	ASSY W/HARNESS-LED LAMP; ALL,12VDC,UL,IEC	SA	1
9	2	RI008	DA97-08285N	ASSY COVER-EVAP REF; HM10,BASIC,LED,230V	SA	1
9-1	3	RK182	DA31-00053A	FAN-BACKWARD; -,A-TOP,ABS,-,FRE	SA	1
9-2	3	RI529	DA61-05993B	PLATE-EVAP HEATER REF; HERMES,AL,T0.3	SA	1
9-3	3	RI521	DA61-05285B	GUIDE-AIR REF; HERMES09,HIPS,COOL WHITE	SA	1
9-4	3	RI271	DA61-06244A	PLATE-DRAIN INS EVAP REF; HERMES,A1100,T0	SA	1
9-5	3	RR066	DA63-40167A	GROMMET-COVER CHIL; SILICON,L16,WHITE	SA	1
9-6	3	RR053	DA61-20128A	SPRING ETC-FAN; STS304,PI8.8,ID7.8,OD9.8,	SA	1
9-7	3	RF121	DA61-05286B	CASE-MOTOR REF; HERMES,HIPS,COOL WHITE	SA	1

Exploded Views and Parts List

No.	Lvl.	Loc.	Material Code	Description & Specification	SNA	Qty.
9-8	3	RF431	DA31-00146E	MOTOR FAN-BLDC; DREP5020LB,0.267,3.2,2520	SA	1
9-9	3	RY711	DA39-00060B	WIRE HARNESS-MOTOR; -, -, -, -, -, -, F-FAN, -, -	SC	1
9-10	3		DA62-01434A	SEAL-COVER EVAP REF HIGH; HERMES,OJC,WHIT	SNA	1
9-11	3	RF455	DA63-01809B	COVER MOTOR-BLDC; AT,PP,NTR,CNTK-P-100,PP	SA	1
10	2	RI016	DA96-00676K	ASSY EVAP-REF; HERMES,FIN PIPE,A1070S-H14	SA	1
10-1	3		DA47-00321L	HEATER-METAL SHEATH; HM10-PJT,NCOLOY840,1	SA	1
10-2	3	RK704	DA32-00029R	SENSOR TEMP; DTN-C502G6X,SSEDA-PJT,40~110	SA	1
10-3	3	RK213	DA61-03683A	FIXER-SENSER; AW-PJT,PP,-,NTR,FH-44N	SA	1
10-4	3	RR341	DA47-00301B	THERMO FUSE-ASSY; HERMES,250V,10A,109~110	SA	1
10-5	3	RF217	DA61-05160A	FIXER-FUSE; CULLI_09,PP,NATURAL,BJ750	SA	1
10-6	3	RR006	DA61-06013A	FIXER-WIRE; AW3-PJT,PP,NTR	SC	2
10-7	3	RC049	DA61-06062A	PLATE-EVAP BRACKET REF; HERMES/GUGGENHEIM	SA	1
11	2	RI273	DA97-05065B	ASSY-COVER DEODORIZER R; HM10 SEPM	SA	1
11-1	3	RG022	DA02-90106R	CATALYST-LTC; ALL,T5,W40,L40	SA	1
11-2	3	RG131	DA63-03606A	COVER-DEODORIZER R; HERMES,PP,-, -, -, -, -, C	SA	1
12	2	RG130	DA63-03605A	COVER-DEODORIZER L; HERMES,PP,-, -, -, -, -, C	SA	1
13	2	RI043	DA97-08536E	ASSY TANK WATER; HM10,NTR	SA	1
14	2	RI069	DA97-05926U	ASSY-INSTALL FILTER; HM	SA	1
14-1	3	RK409	DA62-00159C	PIPE-WATER LINE; ZIPEL,LLDPE,ID4.30,OD6.3	SA	1
14-2	3	RC001	DA62-01329A	PIPE-CONNECT WATER PACKING; ET-PJT,BRASS,	SA	1
14-3	3	RH710	DA65-20110B	CLAMP; -,NY-66,-, -, -, -, DN-5N,PI8.0	SA	8
14-4	3		DA80-00002F	WRENCH-SPANNER; AW3,SM45C,Zn PLATING	SA	1
15	2	RE355	DA67-40322A	TRAY-EGG; SR-51.55.59,GPPS,-, -, -, -, -, -	SA	1

# 3. Cabinet Unit

## Exploded View



## Parts List

No.	Lvl.	Loc.	Material Code	Description & Specification	SNA	Qty.
1	2	RO044	DA97-04980L	ASSY COVER HINGE-UPP L; HERMES,T2.5,NOBLE	SA	1
1-1	3	RK166	DA63-03529L	COVER-HINGE UPP L; HEMRES,HIPS,T2.5,-,-,-	SA	1
1-2	3	RK819	DA34-00043A	SWITCH REED-ASS'Y; 200VDC,1.5,-	SA	1
2	2	RO129	DA61-03354A	HINGE-UPP L; HERMES,SHP1,T3.0,-,-,BLACK,-	SA	1
3	2	RO045	DA97-04979L	ASSY COVER HINGE-UPP R; HERMES,T2.5,NOBLE	SA	1
3-1	3	RO267	DA63-03530L	COVER-HINGE-UPP R; HEMRES,HIPS,T2.5,NOBLE	SA	1
3-2	3	RK819	DA34-00043A	SWITCH REED-ASS'Y; 200VDC,1.5,-	SA	1
4	2	RO128	DA61-03355A	HINGE-UPP R; HERMES,SHP1,T3.0,-,-,BLACK,-	SA	1
5	2	RO037	DA97-04107C	ASSY HINGE LOW-L; HERMES,T4.5,SHIM-HINGE	SA	1
5-1	3	RO433	DA61-02891A	HINGE-LOW FRE; ET-PJT,SHP1,T4.5,W54.6,L57	SA	1
5-2	3	RR980	DA66-00343A	CAM-RISER; USP05(ATOP,ET),NY-66(2110R),BL	SA	1
6	2	RO038	DA97-04354C	ASSY HINGE-LOW R; HM09,SHP1+SM45C,T4.5,ZP	SA	1
6-1	3	RO436	DA61-02966A	HINGE-LOW, R; SAPPHIRE-PJT,SHP1+SM45C,T4.	SA	1
6-2	3	RR981	DA66-00401A	CAM-RISER; SAPPHIRE-PJT,NY-66,BLACK,2110R	SA	1
7	3	RO100	DA61-00805F	FOOT-FRONT; REF-ALL,PP+MSWR10,BLACK,PP_S	SA	2
8	2	RH003	DA97-03869G	ASSY TRAY-DRAIN WATER; HERMES-PJT,W242.3,	SA	1
8-1	4	RH022	DA63-40128A	GROMMET-SUB COND; -,NBR,-,-,-,-,-,DARK-	SA	2
8-2	3	RW002	DA97-03962E	ASSY PIPE-SPIRAL COND; HERMES-PJT,VE	SA	1
8-3	3	RH885	DA63-03069B	TRAY DRAIN-WATER; HERMES-PJT,PP SCRAP,-,W	SA	1
8-4	4	RH046	DA61-02795A	BRACKET-CONDENSER UP; ET/A-TOP_VE,SCP1,T1	SNA	3
9	2	RM019	DA71-20207A	FIXER-VALVE WATER A; SR-S7180,NY-6,OD7.4	SA	2
10	2	RR963	6011-001656	BOLT-HEX; HWH,M6,L16,ZPC(WHT),SWCH22,MACH	SA	6
11	2	RO505	DA61-03036D	BRACKET-HINGE LOW; A-TOP 06,AL(6063),-,-,-	SA	1
12	2	RH002	ENV4A5GL2J/E01	COMPRESSOR,BLDC IPM,15.32CC,220-240V,FAN; COMPRESSOR,BLDC IPM,15.32CC,220-240V,FAN	SA	1
13	2		6011-004061	BOLT-HEX; M6,L42.6,SWCH10A	SA	4
14	2	RH070	DA97-10848B	ASSY COMP-SUB; MASSIMO GLOBAL(R),4TM308RF	SA	1



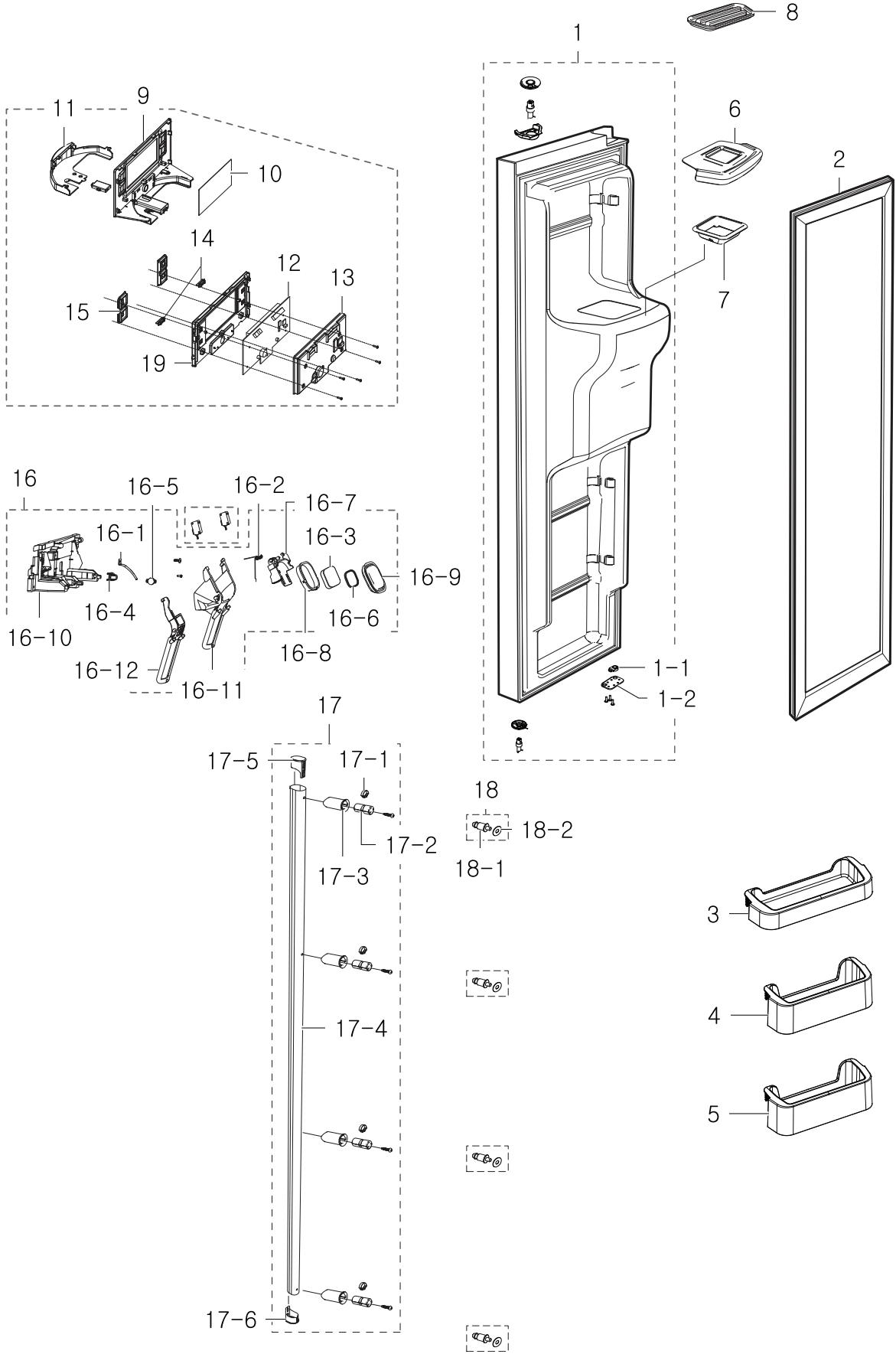
No.	Lvl.	Loc.	Material Code	Description & Specification	SNA	Qty.
14-1	3	RH741	DA39-00154C	WIRE HARNESS-COMP; USP,PVC_TUBE,-,5,-,-,-	SC	1
14-2	3	RO354	DA34-00004B	RELAY PROTECTOR O/L; 4TM308RFBYY-82,BK190	SA	1
15	2	RR856	DA97-04045A	ASSY TUBE-DRAIN; ET-PJT,SOFT-PVC	SA	2
16	2	RO132	DA97-03870B	ASSY SUPPORT-CIRCUIT MOTOR; ET/ATOP_VE,-,	SA	1
16-1	3	RH039	DA61-02355B	BRACKET-CIRCUIT MOTOR; ABS,NEXT,-,-,-,NTR	SA	1
16-2	3	RF412	DA61-02788A	SUPPORT-CIRCUIT MOTOR; ET/A-TOP_VE,ABS,T2	SA	1
16-3	3	RR066	DA63-40167A	GROMMET-COVER CHIL; SILICON,L16,WHITE	SA	1
16-4	3	RR088	DA31-00146B	MOTOR BLDC; DRCP5030LA,1550,DC12V,230mA,-	SC	1
17	2	RK180	DA31-00010F	FAN-ASS'Y; SBS,ABS+GF,3-Wings,GR-0410	SA	1
17-1	3	RR029	DA31-00015C	FAN-TURBO; ET-PJT,ABS+GF,GR-4010	SA	1
17-2	3	RR053	DA61-20128A	SPRING ETC-FAN; STS304,PI8.8,ID7.8,OD9.8,	SA	1
18	2	RO002	DA97-03971E	ASSY CHASSIS-COMP; HERMES,-,-,W255.5,L895	SA	1
18-1	3	RR242	DA61-04703A	CASTER-REAR; AW-PJT,PP,-,35,NTR,35,PP+TPE	SA	2
18-2	3	RH012	DA61-01920A	CASTER-RIVET; (ZPC2),MSWR10,OD8.0,L58	SA	1
19	2	RF290	DA97-05070A	ASSY-PIPE WATER FRE; HERMES,230V/10W,-,-	SC	1
19-1	3	RF059	DA63-03629A	GROMMET-WATER PIPE FILL IN; HERMES,SILICO	SA	1
19-2	3	RK423	DA62-01368A	PIPE-WATER LINE; LLDPE,4.2,6.35,1000,WHIT	SNA	1
20	2	RO089	DA97-02682A	ASSY VALVE WATER; EPEL,-,-,-,-	SA	1
21	2	RO347	DA97-00979C	ASSY COVER-PIPE WATER; HERMES-PJT,PP RECY	SA	1
21-1	3	RO115	DA63-00476B	COVER-PIPE WATER; HERMES-PJT,PP SCRAP,-,-	SA	1
22	2	RH083	DA27-00019H	COIL FILTER-EMI; AW3-PJT,20mH,82*60,-25 ~	SA	1
23	2	RO286	DA63-05419A	COVER PCB-PANEL; HAEMIL_CULLI,GI-SGCC,T0.	SA	1
24	1	RY475	DA92-00349C	ASSY PCB MAIN; 13V,5V,LED DISPLAY,HERMES-	SA	1
25	1	RO326	DA92-00215A	ASSY PCB SUB INVERTER; 15,5V,Heamil 11,ES	SA	1
26	2	RH044	DA62-04309B	DRYER; C1220T,9	SA	1
27	2	RH001	DA97-05202H	ASSY COVER-COMP; HERMES,SBHG1,T0.3,SEAL C	SA	1
28	2	RU397	DA96-00938A	ASSY W/HARNESS-MAIN; HM10-U(INV.), R(230V	SNA	1
29	2	RH015	DA63-01866A	COVER RELAY; NORYL,T2.0,SSEC,BLACK,HOOK	SA	1

## Exploded Views and Parts List

No.	Lvl.	Loc.	Material Code	Description & Specification	SNA	Qty.
30	2	RE170	DA96-00143B	ASSY EARTH; ATOP06,100~240V	SA	1
31	2	RO285	DA61-04970E	CASE PCB-PANEL; HIPS,NTR	SA	1
32	2	RO550	DA97-12874A	ASSY PIPE-CONNECT; HERMES PJT	SA	1
33	2	RK076	DA39-10115D	CBF-POWER CORD; UCP-2,250V,10/16A,L2100,-	SA	1
34	2	RO287	DA63-05031C	COVER-LEG FRONT; HM09,PP,STS-KP,BJ730,55M	SA	1
35	3	RM102	DA64-02472A	TRIM-BLADE; HERMES-PJT,PVC,-,L375.2,NAT	SA	1
36	2	RY480	DA61-03467B	FIXER-HOSE; AW-PJT,HIPS,NTR	SA	1
37	2		DA97-05201B	ASSY CABI REAR FRAME; HERMES-PJT,ASSY,-,-	SNA	1
38	2	RH732	DA63-02617A	GROMMET COMP; USP05,EPDM,OD27.0,BLACK	SA	4
39	3		DA63-05447A	GROMMET-SUCTION PIPE; AW2,NBR,Gray	SNA	1

# 4. Freezer Door

## Exploded View



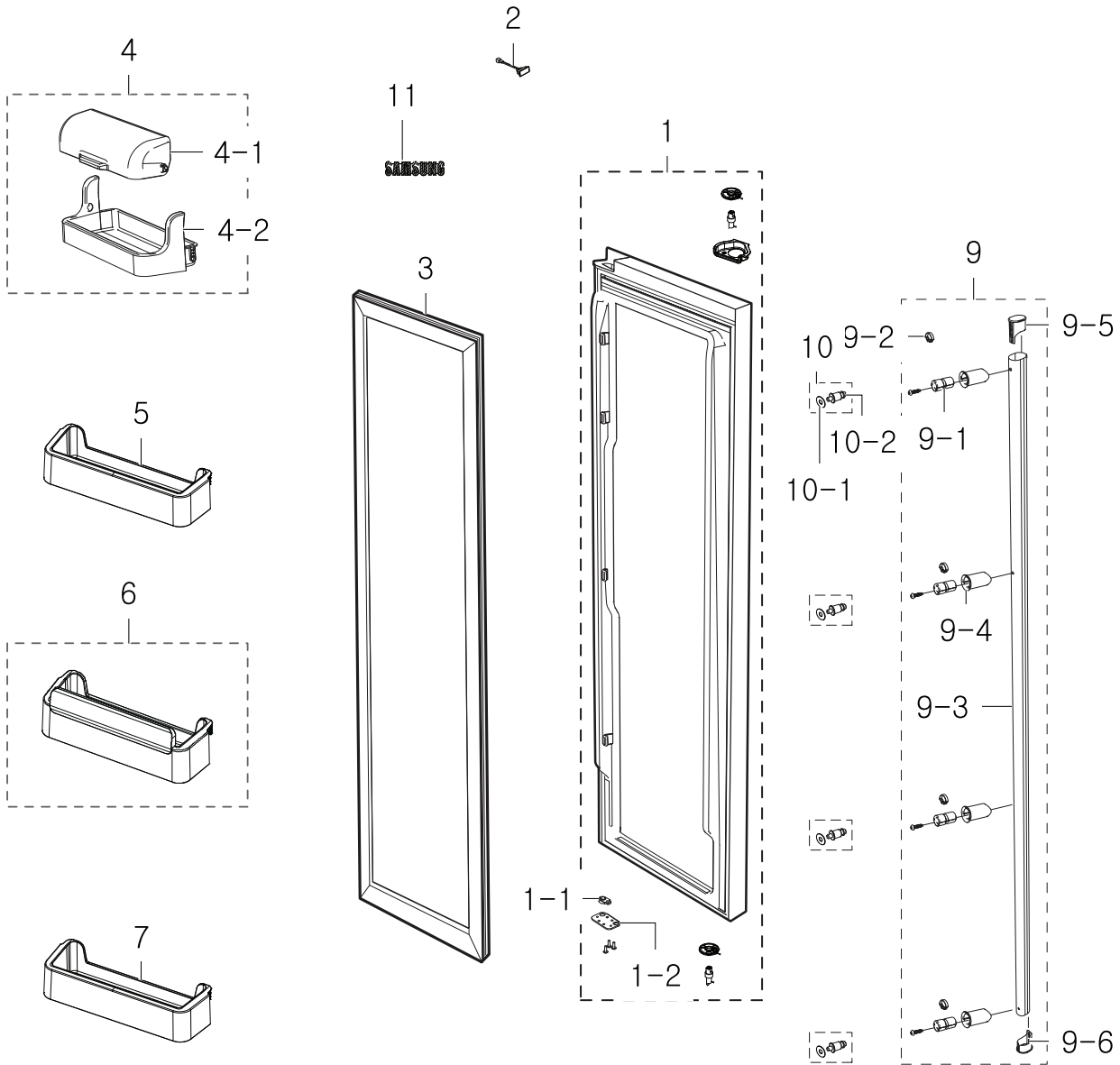
**Parts List**

No.	Lvl.	Loc.	Material Code	Description & Specification	SNA	Qty.
1	2	RD001	DA91-03638E	ASSY DOOR FOAM FRE; HM10-DISP,PLATINUM IN	SA	1
1-1	5	RO105	DA66-00344A	CAM-HINGE RISER LOW; USP05(ATOP,ET),NY-66	SC	1
1-2	5	RE043	DA61-00776A	STOPPER DOOR; ES-PJT,SPCC,T3.0	SA	1
2	2	RR238	DA97-04567D	ASSY-GASKET DOOR REF; HM10 SEPM,GRAY(SC-9	SA	1
3	2	RD350	DA63-03642B	GUARD-FRE TOP; HERMES PJT,PP,-,-,-,COOL W	SA	1
4	2	RK264	DA63-03643A	GUARD-FRE LOW; HERMES PJT,PP,-,-,-,COOL W	SA	1
5	2	RK265	DA63-03643B	GUARD-FRE LOW; HERMES PJT,PP,-,-,-,COOL W	SA	1
6	2	RD108	DA63-03729C	GUARD-FRE SUB; HERMES,PP,-,-,-,COOL-WHITE	SA	1
7	2	RD266	DA67-01667A	CAP-CHUTE ICE; HERMES,ABS,T1.8,-,-,SC-027	SA	1
8	2	RO489	DA63-03580X	TRAY DISPENSER; HERMES,ABS,T2.5,DISP,SC-0	SA	1
9	3	RR163	DA63-05054C	COVER-DISPENSER; HM09,ABS,VERSAILLES STS,	SA	1
10	3	RD052	DA63-05063D	COVER-CONTROL WINDOW FRE; HM09,ACRYL,BLAC	SA	1
11	3	RD243	DA64-02982C	BUTTON-DISPENSER; HM09,ABS,NOBLE GRAY,VER	SA	1
12	3	RY208	DA41-00643B	ASSY PCB KIT LED; '09 HM-PJT INDOOR,F-DOO	SA	1
13	3	RD245	DA63-05058B	COVER-PBA PANEL DISPENSER; HM10,HIPS,NTR	SA	1
14	3	RD286	DA64-02983A	DECORATION-BUTTON CONTROL; HM09,ABS,NTR,P	SA	2
15	3	RD236	DA63-05059A	GROMMET-BUTTON; HM09,SILICON,BLACK	SA	2
16	2	RD463	DA97-07774A	ASSY COVER-PCB PANEL REAR; HM09,ASSY,SAN(	SA	1
16-1	3	RD446	DA61-01616A	SPRING ETC-LEVER DISP WATER; AD,STS304,-,	SA	1
16-2	3	RD050	DA61-01651A	SPRING ETC-COVER ICE ROUTE; AD,STS304,1.0	SA	1
16-3	3	RK678	DA62-00058E	SEAL-COVER ICE,ROUTE; AD,FOAM-LEX,WHITE,T	SA	1
16-4	3	RD448	DA61-01868B	BRACKET-OIL DAMPER; ABS,AD,-,-,-,NTR,-	SA	1
16-5	3	RO353	DA61-01869A	OIL DAMPER; AD,PC+POM,120g/Cm,OD15	SA	1
16-6	3	RK679	DA62-00058F	SEAL-COVER ICE,ROUTE; AD,FOAM-LEX,WHITE,T	SA	1

No.	Lvl.	Loc.	Material Code	Description & Specification	SNA	Qty.
16-7	3	RD359	DA63-01970A	COVER-ICE ROUTE A; AD,ABS,T2.5,-,-,-,BL	SA	1
16-8	3	RD461	DA63-01971B	COVER-ICE ROUTE B; AD,ABS,-,-,-,-,NATUR	SA	1
16-9	3	RD051	DA63-01972A	GASKET-COVER ICE ROUTE; AD,SILICON,T1.5,-	SA	1
16-10	3	RO464	DA63-03259C	COVER PCB-PANEL REAR; A-TOP 06,ABS(HG-076	SA	1
16-11	3	RD283	DA66-00684A	LEVER-DISPENSER ICE; HM09,SAN,NTR	SA	1
16-12	3	RD284	DA66-00685A	LEVER-DISPENSER WATER; HM09,SAN,NTR	SA	1
17	2	RO600	DA97-05074Z	ASSY-HANDLE BAR FRE; HERMES-PJT,-,-,MH/RS	SA	1
17-1	3	RO587	DA61-03636A	STOPPER-HANDLE; CULLINAN,SK5,-,-,-,-	SA	4
17-2	3	RO485	DA61-03726A	SUPPORT-HANDLE; HERMES,NY66,-,-,-,NTR,-	SA	4
17-3	3	RO527	DA67-02009A	CAP-SUPT HANDLE; HERMES-PJT,ABS,-,-,-,MAN	SA	4
17-4	3	RO391	DA64-02442C	HANDLE-BAR; HERMES,AL,-,-,1633,-,INOX,-	SA	1
17-5	3	RK008	DA67-01913A	CAP-HANDLE; HERMES,ABS,-,W20.8,L37.3,NEO	SA	1
17-6	3	RK009	DA67-01913B	CAP-HANDLE; HERMES,ABS,-,W20.8,L37.3,SILV	SA	1
18	2	RO170	DA97-05529C	ASSY-BRACKET HANDLE; HREMES-PJT,SWCH10A,-	SA	4
18-1	3	RJ720	DA63-03840A	GROMMET-HANDLE; HERMES,SILICON,T1,-,-,-,-	SA	4
18-2	3	RO171	DA61-03725B	BRACKET-HANDLE; HERMES,SWCH10A,-,-,L31,-,	SA	4
19	3	RD285	DA63-05057B	COVER-DISPENSER SUB; HM10,HIPS,NTR	SA	1

# 5. Fridge Door

## Exploded View



## Parts List

No.	Lvl.	Loc.	Material Code	Description & Specification	SNA	Qty.
1	2	RE001	DA91-02624X	ASSY DOOR-FOAM REF; H/M10-PJT,PLATINUM IN	SA	1
1-1	5	RO105	DA66-00344A	CAM-HINGE RISER LOW; USP05(ATOP,ET),NY-66	SC	1
1-2	5	RE043	DA61-00776A	STOPPER DOOR; ES-PJT,SPCC,T3.0	SA	1
2	3	RK819	DA34-00043A	SWITCH REED-ASS'Y; 200VDC,1.5,-	SA	1
3	2	RR238	DA97-04567D	ASSY-GASKET DOOR REF; HM10 SEPM,GRAY(SC-9	SA	1

No.	Lvl.	Loc.	Material Code	Description & Specification	SNA	Qty.
4	2	RE028	DA97-07110A	ASSY GUARD-DAIRY; HERMES PJT,-,-,-,-,55	SA	1
4-1	3	RE386	DA63-03534A	COVER-GUARD DAIRY; HERMES PJT,GPPS/HF2660	SA	1
4-2	3	RE390	DA63-04705A	GUARD-DAIRY; HERMES PJT,PP,T1.8,-,-,COOL	SA	1
5	2	RE469	DA63-03639A	GUARD-REF TOP; HERMES PJT,PP,-,-,-,COOL W	SA	1
6	2	RE382	DA63-03640A	GUARD-REF MID; HERMES PJT,PP,-,-,-,COOL W	SA	1
7	2	RE368	DA63-03641A	GUARD-REF LOW; HERMES PJT,PP,-,-,-,COOL W	SA	1
9	2	RO178	DA97-05073Z	ASSY-HANDLE BAR REF; HERMES-PJT,-,-,MH/RS	SA	1
9-1	3	RO587	DA61-03636A	STOPPER-HANDLE; CULLINAN,SK5,-,-,-,-,-	SA	4
9-2	3	RO485	DA61-03726A	SUPPORT-HANDLE; HERMES,NY66,-,-,-,NTR,-	SA	4
9-3	3	RO391	DA64-02442C	HANDLE-BAR; HERMES,AL,-,-,-,1633,-,INOX,-	SA	1
9-4	3	RO527	DA67-02009A	CAP-SUPT HANDLE; HERMES-PJT,ABS,-,-,-,MAN	SA	4
9-5	3	RK008	DA67-01913A	CAP-HANDLE; HERMES,ABS,-,W20.8,L37.3,NEO	SA	1
9-6	3	RK009	DA67-01913B	CAP-HANDLE; HERMES,ABS,-,W20.8,L37.3,SILV	SA	1
10	2	RO170	DA97-05529C	ASSY-BRACKET HANDLE; HREMES-PJT,SWCH10A,-	SA	4
10-1	3	RO171	DA61-03725B	BRACKET-HANDLE; HERMES,SWCH10A,-,-,L31,-,	SA	4
10-2	3	RJ720	DA63-03840A	GROMMET-HANDLE; HERMES,SILICON,T1,-,-,-,-,-	SA	4
11	3	RO716	DA64-04021B	MASCOT; ALL,NI,T0.05,L90	SA	1