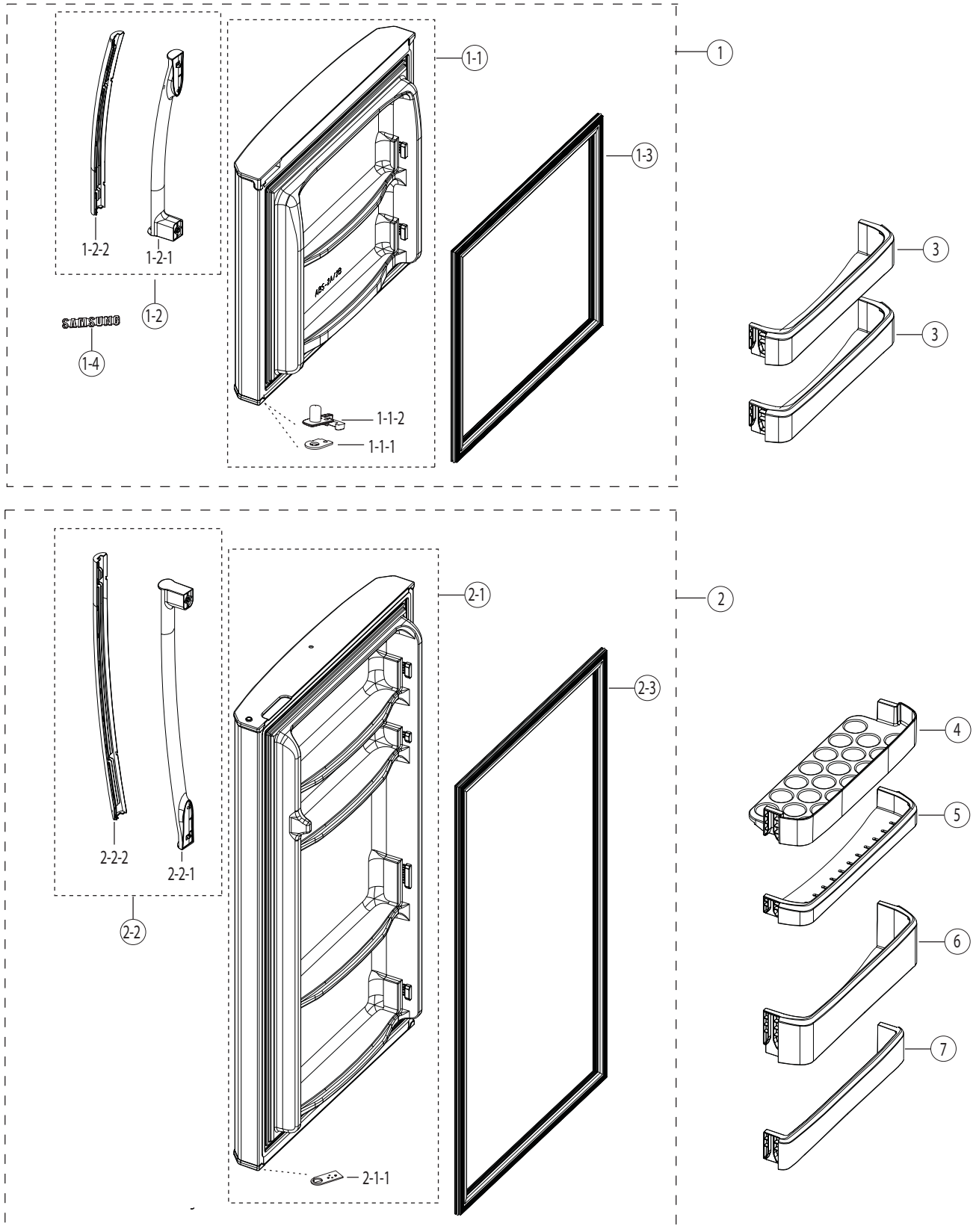


DOOR

HANDLE B, C

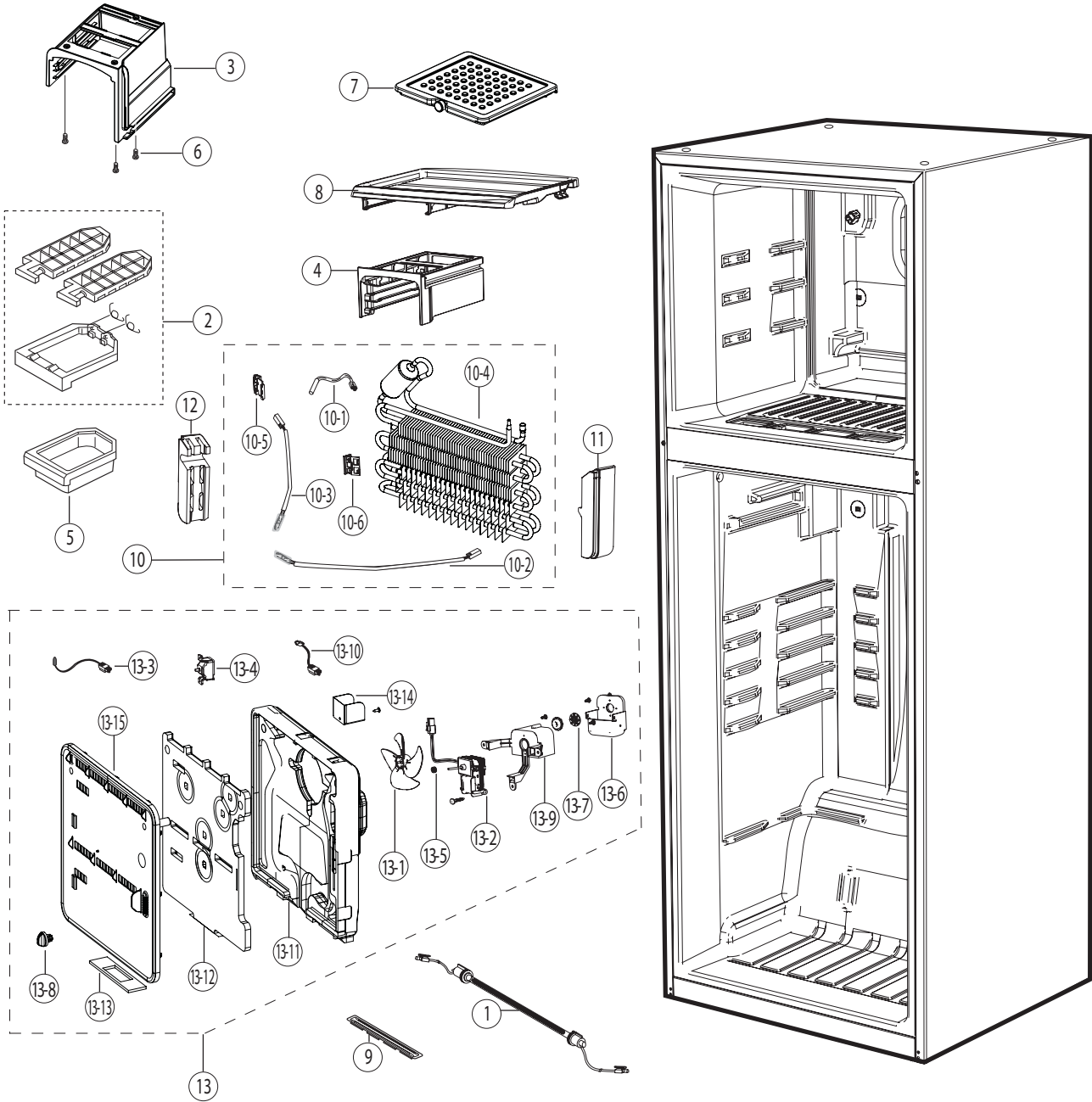


**PART LIST OF DOOR**

RT2BSCSW1/XES

No.	Lev.	Loc.	Code No.	Description	Specification	Q'ty	Unit	SA/SNA
1	0.1	A0054	DA90-05290G	ASSY DOOR FRE	BALLY2 09,PCM,SNOW WHITE,2	1	PC	SA
1-1	..2	A0051	DA91-02891E	ASSY DOOR FOAM FRE	BALLY2 09,SNOW WHITE,	1	PC	SNA
1-2	..2	Z2004	DA97-07801C	ASSY HANDLE FRE	BALLY2 09,SNOW WHITE(NON	1	PC	SA
1-2-1	...3	Z2005	DA61-05326B	BASE-HANDLE FRE	BALLY2 09,ABS,SNOW WHITE	1	PC	SA
1-2-2	...3	M0032	DA63-05067C	COVER-HANDLE FRE	BALLY2 09,ABS,SNOW WHIT	1	PC	SA
1-3	..2	Z1175	DA97-07367N	ASSY-GASKET DOOR FRE	BALLY2 09,FRE,W491,L432	1	PC	SA
1-4	..2	M0196	DA64-00989A	MASCOT	ALL MODELS,AL,-,-,-,-,3 PIN	1	PC	SA
2	0.1	A0056	DA90-05291N	ASSY DOOR REF	RT2B,PCM,SNOW WHITE,2 PIEC	1	PC	SA
2-1	..2	A0052	DA91-02892J	ASSY DOOR FOAM REF	RT2B,SNOW WHITE,GLOBA	1	PC	SNA
2-1-1	....4	Z1158	DA61-00162B	STOPPER DOOR-LOW	N-PJT,SCP1,T2.0,W26.5,L	1	PC	SA
2-2	..2	Z2006	DA97-07802C	ASSY HANDLE REF	BALLY2 09,SNOW WHITE(NON	1	PC	SA
2-2-1	...3	Z2007	DA61-05325B	BASE-HANDLE REF	BALLY2 09,ABS,SNOW WHITE	1	PC	SA
2-2-2	...3	M0033	DA63-05066C	COVER-HANDLE REF	BALLY2 09,ABS,SNOW WHIT	1	PC	SA
2-3	..2	Z2001	DA97-07367P	ASSY-GASKET DOOR REF	BALLY2 09,RT2B,REF,W491	1	PC	SA
3	...3	A0711	DA63-03702A	GUARD-FRE	RT22/25,GPPS,T2.0,W415.7,L67,-	1	PC	SA
4	...3	A0712	DA63-05032A	GUARD-EGG	BALLY2-09,GPPS,NTR,656D	1	PC	SA
5	...3	A0912	DA63-03705A	GUARD-REF MID	RT25,GPPS,T2.0,W428.1,L42,	1	PC	SA
6	...3	Z1010	DA63-03703A	GUARD-BOTTLE	RT22/25/RA19/21,GPPS,T2.0,W	1	PC	SA
7	...3	A0635	DA63-04957A	GUARD REF-LOW	BALLLY2 09,GPPS,NTR,656D	1	PC	SA

FREEZER

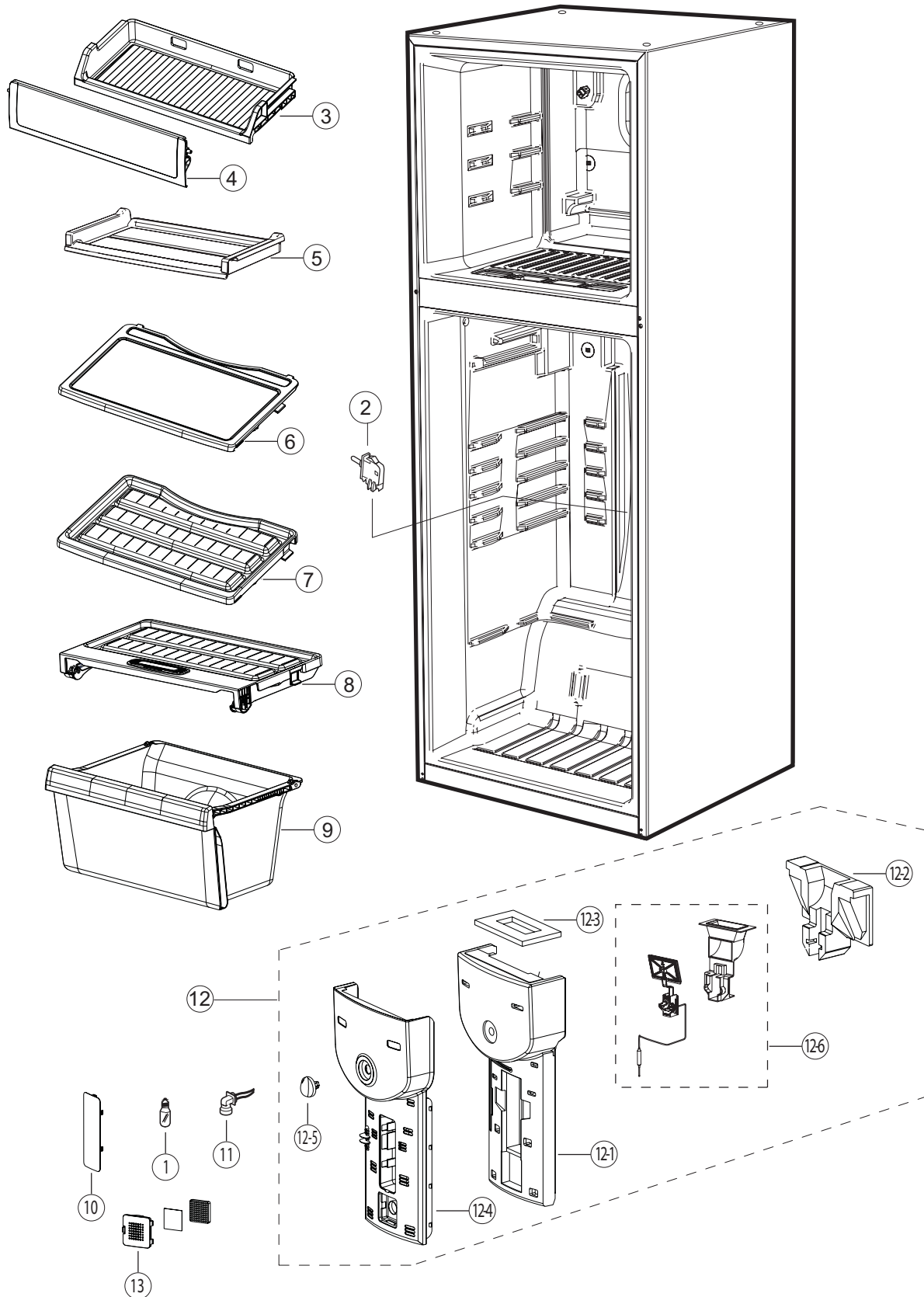


## PART LIST OF FREEZER

RT2BSCSW1/XES

No.	Lev.	Loc.	Code No.	Description	Specification	Q'ty	Unit	SA/SNA
1	..2	A1005	DA47-20210R	HEATER-DEFROST	DA47-20210R,Bally2-09,NCH	1	PC	SA
2	...3	M0050	DA67-00449D	ASSY CASE-TRAY ICE	BALLY2/N-PJT,-,-,-,CO	1	PC	SA
4	...3	A0715	DA61-03543A	SUPPORT-TRAY ICE	BALLY2,HIPS,T2.0,82*103	1	PC	SA
5	...3	A0716	DA67-40328A	TRAY-ICE CUBE	N-PJT,GPPS,T2.0,-,-,-,-,-	1	PC	SC
6	...4	G0412	6002-000470	SCREW-TAPPING	TH,+ ,NO,1,M4,L10,ZPC(WHT),	3	PC	SNA
8	...3		DA67-03156B	SHELF-FRE	BALLY2 09-PJT,GPPS,T3.0,W451.8	1	PC	SA
9	..2	Z1183	DA63-04245A	COVER-COLD AIR	TGV2,PP,-,W358,L49,-,-,CO	1	PC	SA
10	..2	Z1015	DA96-00574C	ASSY EVAP	BALLY2 09,PIN CROSS,AL,220,50,	1	PC	SA
10-1	...3	Z1149	DA32-00006L	SENSOR TEMP-DEF SENSOR	PX41C,TD-PJT,TGV2	1	PC	SA
10-2	...3	A1008	DA47-10162T	THERMO FUSE-ASSY	BALLY2-09,250,10,77	2	PC	SA
10-3	...3	A1008	DA47-10162T	THERMO FUSE-ASSY	BALLY2-09,250,10,77	2	PC	SA
10-4	...3	M0009	DA59-00387A	EVAP	BALLY2 09,PIN CROSS,AL,220V,NO CO	1	PC	SNA
10-5	...3	A0743	DA61-02881A	FIXER-SENSOR	- ,PP,T2.0,-,-	1	PC	SA
10-6	...3	Z1150	DA61-03589A	FIXER-THERMO FUSE	BALLY2,HDPE,T1.5	2	PC	SA
11	...3	Z1186	DA62-02183A	INSULATION EVAP-SIDE L	BALLY2 09,FOAM-PS	1	PC	SNA
12	...3	Z1187	DA62-02184A	INSULATION EVAP-SIDE R	BALLY2 09,FOAM-PS	1	PC	SNA
13	..2	Z1020	DA97-07764H	ASSY COVER EVAP	BALLY2 09,PP,AMRHB-010UV	1	PC	SA
13-1	...3	M0159	DA31-00124A	FAN-AX100W4CC-T1	- ,TD-PJT,ABS,-,-	1	PC	SA
13-2	...3	A0757	DA31-10109J	MOTOR FAN	ORM-1176P3,AMITA R-PJT,50Hz,60	1	PC	SC
13-3	...3	Z1188	DA32-00006G	SENSOR TEMP-F DEF BBC	PX-41C,BBC,-,5V,-,	1	PC	SA
13-4	...3	A0758	DA41-00471A	PBA-ROTARY S/W	BALLY 2,-,CEM-1,-,-,-,-	1	PC	SA
13-5	...3	A0768	DA61-20149A	SPRING ETC-FAN	N-PJT,STS27WR,-,-,OD1.0,-	1	PC	SA
13-6	...3	Z1144	DA63-11051B	COVER-FAN MOTOR	TSE-PJT	1	PC	SA
13-7	...3	Z1145	DA63-40289A	GROMMET-FAN MOTOR	N-PJT,NBR,-,-,-,-,-,-,-	2	PC	SA
13-8	...3	Z1146	DA64-01542A	KNOB-F THERMO	RT21/24,PP,-,-,-,-,-,-,-	1	PC	SA
13-9	...3	Z1147	DA71-50233B	BRACKET-MOTOR	TSE-PJT	1	PC	SA
13-10	...3	A0761	DA96-00391C	ASSY W/HARNES-ROTARY	Bally2 09-PJT_ELEC	1	PC	SA
13-11	...3		DA62-02181A	INSULATION EVAP-REAR	BALLY2 09,FOAM-PS,-	1	PC	SNA
13-12	...3		DA62-02182A	INSULATION EVAP-FRONT	BALLY2 09,FOAM-PS,	1	PC	SNA
13-13	...3		DA62-02185B	SEAL EVAP-BOTTOM	BALLY2 09,OJC-3000,WHIT	1	PC	SNA
13-15	...3	A0665	DA63-05026A	COVER EVAP-FRONT	BALLY2 09,PP,T1.8,384,3	1	PC	SNA

FRIDGE

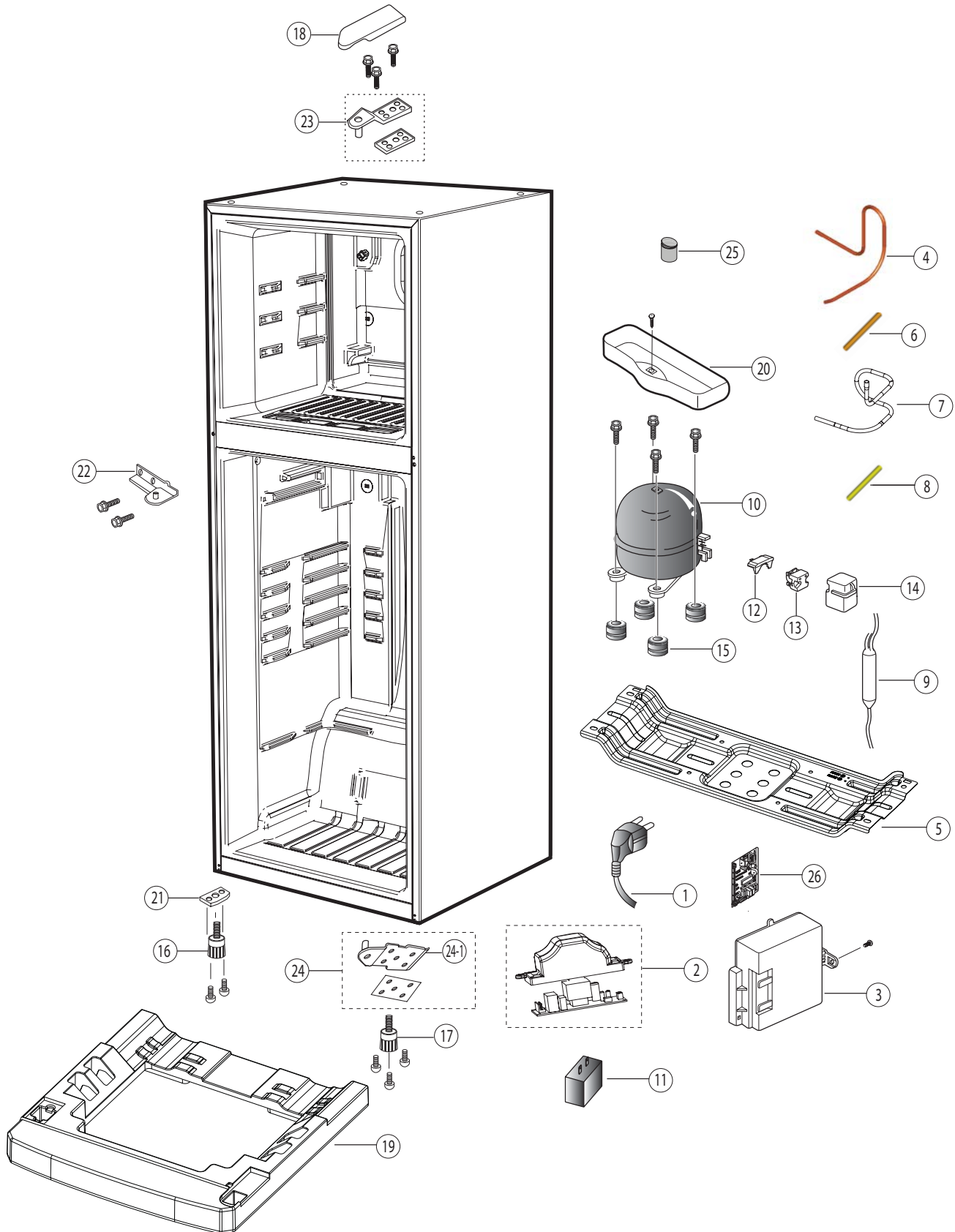


**PART LIST OF FRIDGE**

RT2BSCSW1/XES

No.	Lev.	Loc.	Code No.	Description	Specification	Q'ty	Unit	SA/SNA
1	..2	G0090	DA41-00519P	PBA-LED LAMP	SSEDA,R-ROOM,CEM-1,100*20*1	1	PC	SA
2	..2	M0379	DA34-00050A	SWITCH DOOR-WATER RESISTANT	-,1 BUTTON,P	1	PC	SA
3	...3	Z1142	DA67-40326A	TRAY-CHIL ROOM	N-PJT,GPPS,T2.5,-,-,-,-,-	1	PC	SA
4	...3	Z1139	DA63-02575D	COVER-CHILL ROOM	N,BALLY2,GPPS,-,126,448	1	PC	SA
7	...3	Z1107	DA67-03155B	SHELF-REF	BALLY2 09-PJT,GPPS,T3.0,W451.4	2	PC	SA
8	...3	M0004	DA97-07826A	ASSY COVER-VEG	BALLY2-09,NO COOL EVER ZO	1	PC	SA
9	...3	M0383	DA97-07761A	ASSY CASE-VEG	BALLY2-09	1	PC	SA
10	..2	A0280	DA63-05024A	COVER LAMP	BALLY2 09,MIPS,NTR,GPPS 656D(	1	PC	SA
11	..2	G0090	DA41-00519P	PBA-LED LAMP	SSEDA,R-ROOM,CEM-1,100*20*1	1	PC	SA
12	..2		DA97-07759N	ASSY COVER-DAMPER	BALLY2 09,RT2B,PP,FOAM	1	PC	SNA
12-1	...3	A1022	DA62-02166A	INSULATION-DAMPER A	BALLY2 09,FOAM-PS,-,	1	PC	SNA
12-2	...3	A1023	DA62-02167A	INSULATION-DAMPER B	BALLY2 09,FOAM-PS,-,	1	PC	SNA
12-3	...3		DA62-02237C	SEAL-DAMPER REF	BALLY2 09,OJC-3000,WHITE	1	PC	SNA
12-4	...3	A0208	DA63-05017A	COVER DAMPER-REF	BALLY2 09,PP,WHITE,740J	1	PC	SNA
12-5	...3	Z1190	DA64-00581A	KNOB-TEMP CONT	TT-PJT,HIPS,-,-,-,-,-,-,-	1	PC	SA
12-6	...3	Z1191	DA67-10264H	CASE THERMO-THERMO DAMPER ASSY	TGV-PJT,A	1	PC	SA
13	...4	A0985	DA63-05025A	COVER-PURIFIER	BALLY2 09,ABS,60.3,60.2,M	1	PC	SA

CABINET & UNIT



## PART LIST OF CABNET & UNIT

RT2BSCSW1/XES

No.	Lev.	Loc.	Code No.	Description	Specification	Q'ty	Unit	SA/SNA
1	..2	A0273	DA39-10115D	CBF-POWER CORD	UCP-2,250V,10/16A,L2100,-	1	PC	SA
2	..2	A0746	DA41-00472N	PBA-MAIN ASSY	Bally09,-,CEM-1,112.98mm x	1	PC	SA
3	..2	A0250	DA61-04238E	CASE JUNCTION	BALLY2 09,N-PP,NTR,5VA,ELE	1	PC	SA
4	..2		DA62-03482A	PIPE-CONNECT DISCHARGE	TGV2,BALLY2-09,C1	1	PC	SNA
5	..2	A0526	DA97-07766A	ASSY CHASSIS COMP	BALLY2 09	1	PC	SNA
6	..2	Z1004	DA73-00199B	PIPE-PIPE CONNECT	-,C1220T,-,OD6.35,L95,	1	PC	SA
7	..2	M0016	DA62-03483A	PIPE-CONNECT SUCTION	RT30~37,C1220T-1/2H	1	PC	SNA
9	..2	Z1007	DA62-02652C	DRYER-HEX	All,SCP1,OD18.85,L120	1	PC	SA
10	..2	A0134	MSS162QL1U/TS1	COMPRESSOR	,6.15CC,220/240~50HZ,RSCR,STAT	1	PC	0
11	...3	A0789	2301-001879	C-FILM,LEAD	3500nF,10/-5%,450V,BK,50x25x	1	PC	SC
12	...3	A0575	DA34-10004A	RELAY PROTECTOR O/L	4TM189PHBYY-53,ST 5.	1	PC	SA
13	...3	A0668	DA35-00099A	RELAY PTC	330MD2(J535Q35E330M3852),33Ω,3	1	PC	SA
14	...3	Z1032	DA63-01363A	COVER RELAY	N300X,T2.1,V-0,5VA,W50,L62,B	1	PC	SC
15	...3	Z1112	DA63-02017A	GROMMET COMP	QUEEN,EPDM,BLACK	4	PC	SA
16	..2	A0577	DA61-30131A	FOOT-FRONT	N-PJT,PP,-,WHITE,-,-,-	1	PC	SA
17	...3	A0577	DA61-03565B	FOOT-FRONT R	BALLY2,PP,NATURAL,CAVITY (1X8	1	PC	SA
18	..2	A0702	DA67-01221D	CAP-HINGE UPP	BALLY2-09 ,TGV2 TEN,PP,SW	1	PC	SA
20	..2	Z1180	DA63-02897E	ASSY TRAY-D/WATER	TSE MODEL,T0.6,W300,L1	1	PC	SA
21	..2		DA71-10542C	REINF-LEG	BALLY2 09,SCP1,T2.0,NO TAPPING	1	PC	SNA
22	..2	M0345	DA97-05190C	ASSY HINGE-MID	BALLY2-09 PJT,T4.0,W105,L	1	PC	SA
23	..2	M0346	DA97-05191E	ASSY HINGE-UPP	BALLY2-09 PJT,T2.5,W59.8,	1	PC	SA
24	..2	M0246	DA97-05300C	ASSY HINGE LOW-R	BALLY2 09,T3.0,ZPC3 WHI	1	PC	SNA
24-1	...3	A0247	DA61-03532B	HINGE-LOW	BALLY2 09,SHP1,T3.0,ZPC3 WHITE	1	PC	SA
25	..2	Z1182	DA67-00680A	CAP-HOSE DRAIN	TT-PJT(30,34,37),NBR,-,-,-	1	PC	SA
26	..2	Z1144	DA41-00469E	ASSY PCB KIT	AC230~240V/50,60Hz,TGV2_TEN	1	PC	SA