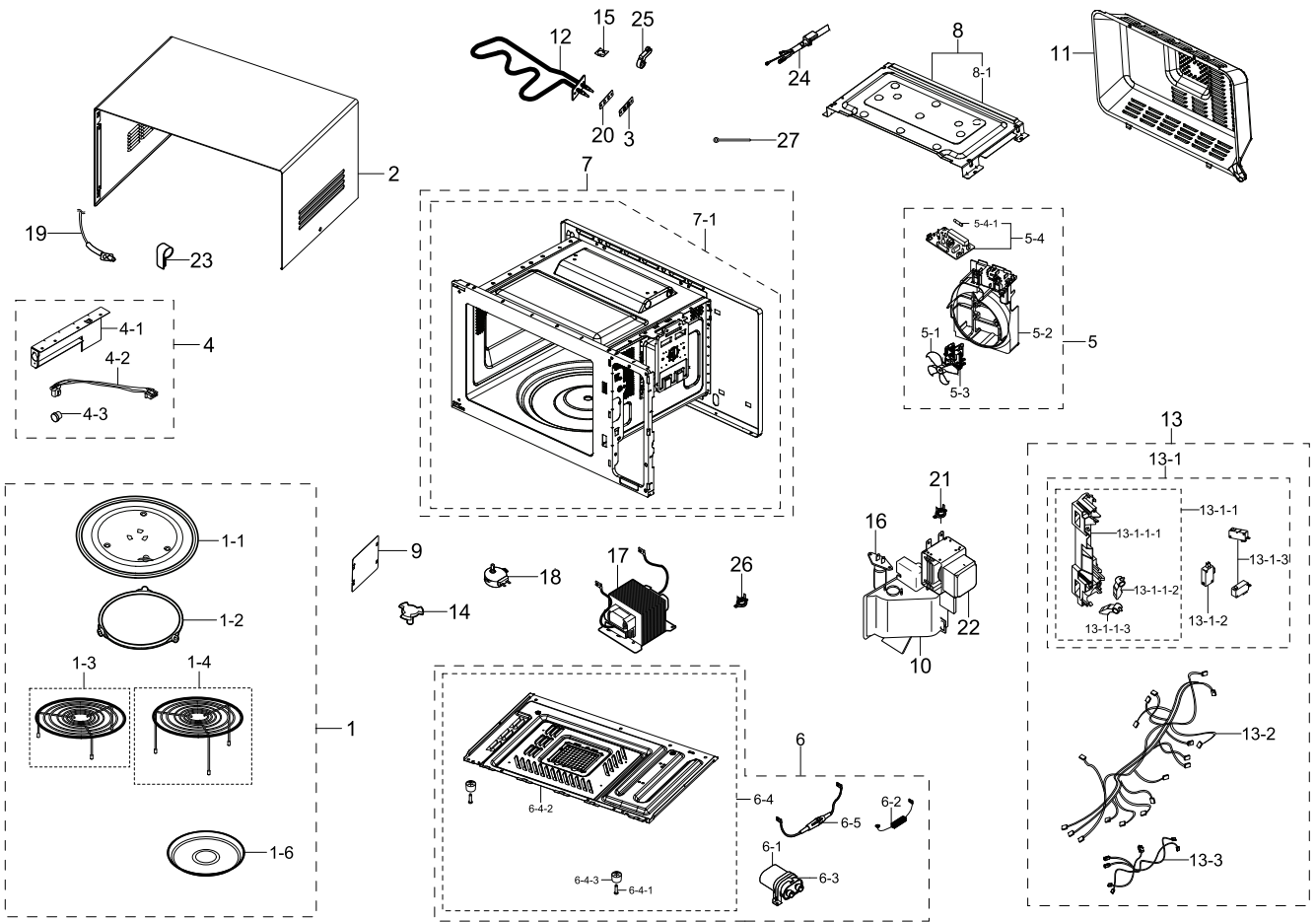


# 1. MC28H5135CK/EC

## Exploded View



## Parts List

No.	Lvl.	Loc.	Material Code	Description & Specification	SNA	Qty.
1	1		DE90-01649B	ASSY ACCESSORY PARTS; MC28H5135CK/BW,MW51	SNA	1
1-1	2	T001	DE74-20015G	TRAY COOKING; 3RD-1.0,GLASS,T6.0,PI316,-,	SA	1
1-2	2	T150	DE92-90189S	ASSY GUIDE ROLLER; JES831,SPS(C832-V0),-	SA	1
1-3	2	T009	DE97-00136B	ASSY WIRE RACK; CK95,-,-,LOW-RACK	SA	1
1-4	2	T010	DE97-00136E	ASSY WIRE RACK; MG104WA,114,FOOT,VE-TYPE	SA	1
1-6	2	T133	DE92-90534B	ASSY-TRAY BROILER; CE118KF,AL3004,1.0T	SA	1
2	2	M001	DE64-01161Y	PANEL OUTER; MC28H5013AK/BW,EGI-SECC,T0.6	SA	1
3	2	M008	DE63-00049B	GASKET-HEATER; BRASS,T1.0,NATURAL	SNA	1
4	2		DE94-02817C	ASSY BRACKET A/GUIDE; MC28H514TAK/EU,EGI-	SA	1
4-1	3		DE61-01509A	BRACKET GUIDE-AIR; 1.1 CELLO,EGI-SECC,T0.	SNA	1

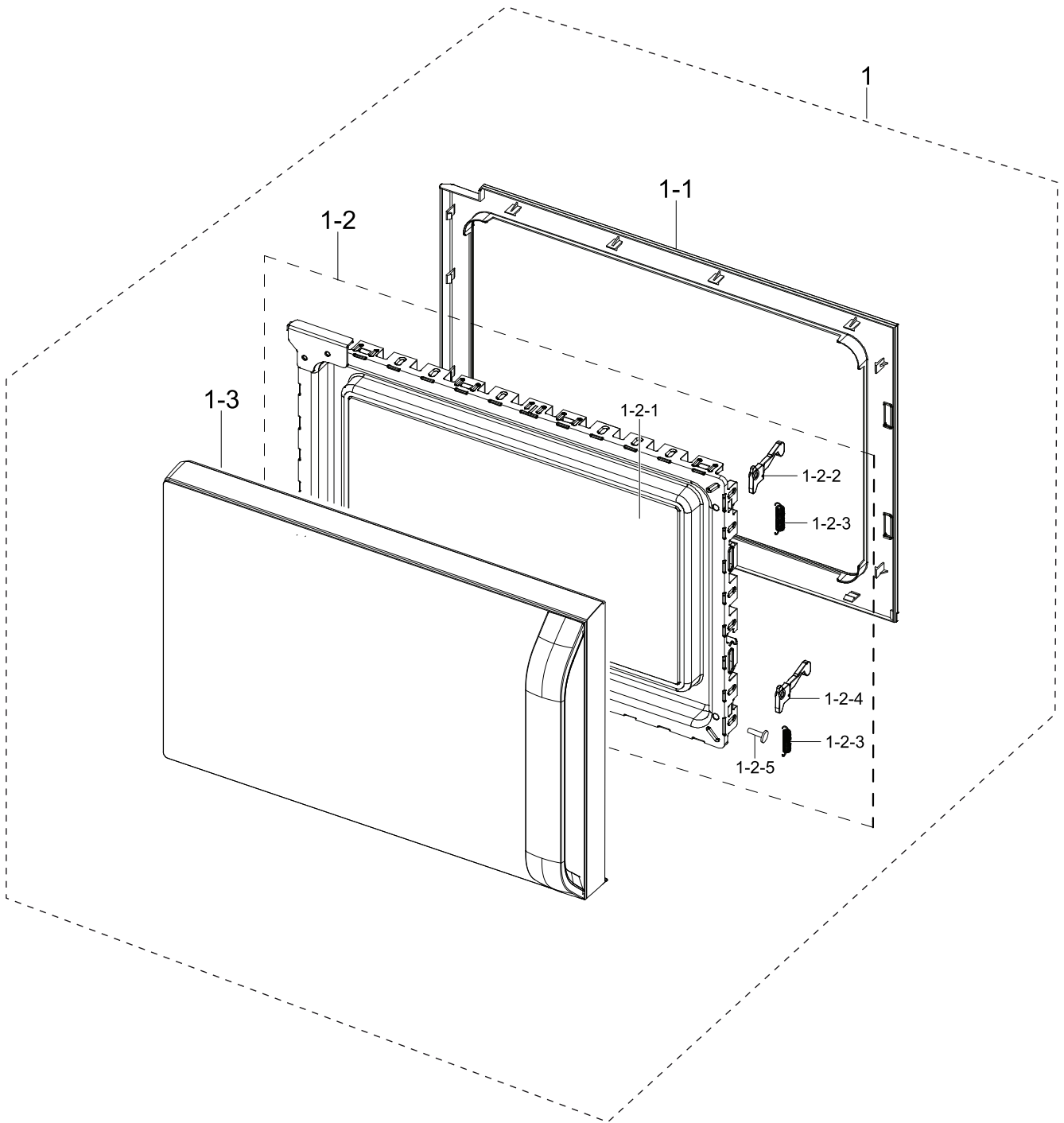
Exploded Views and Parts List

No.	Lvl.	Loc.	Material Code	Description & Specification	SNA	Qty.
4-2	3	P036	DE39-40678H	ASSY WIRE HARNESS; CE107F(CHICCONV),230VA	SA	1
4-3	3	P024	DE32-60011A	SENSOR GAS; TGS-880,-,-,-,-,-,-,-,-	SC	1
5	2	M203	DE96-00455J	ASSY MOTOR FAN; CE1071AR	SA	1
5-1	3	H096	DE31-90051A	BLADE-FAN; CE10**,PP,NATURAL,MT44	SA	1
5-2	3	M022	DE61-10006A	COVER BLOWER; PP,PP(TB53),3RD-W(1.3)	SNA	1
5-3	3	M023	DE31-10185A	MOTOR AC FAN; SMF-3RDEA1,2,230V,50Hz,20W,	SA	1
5-4	3	M017	DE96-00399A	ASSY NOISE FILTER; SN-UF11A,250V/15A,250V	SA	1
5-4-1	4	M019	3601-001197	FUSE-CARTRIDGE; 250V,15A,SLOW-BLOW,CERAMI	SA	1
6	2	M155	DE96-00637A	ASSY BASE PLATE; 5TH/1.0 CONVECTION,-,-,-	SA	1
6-1	3	M039	2501-001015	C-OIL HIGH VOLTAGE; 1000nF,2100V,BK,34x54	SA	1
6-2	3	M527	DE59-00002A	DIODE-H.V; MWO,2CL4512H/CL04-12A,500mA,12	SA	1
6-3	3	M040	DE61-50106A	BRACKET-HVC; EGI-SECC,T0.8,-	SA	1
6-4	3	M045	DE96-00295M	ASSY BASE PLATE SUB; 5TH/1.0 CONVECTION,-	SNA	1
6-4-1	4	M046	DE60-60025A	PIN-FOOT; MC28H5013AK/BW,PP,NATURAL	SA	4
6-4-2	4	M048	DE61-00557M	BASE PLATE; 5TH/1.0 CONVECTION,GI-SGCC,T0	SNA	1
6-4-3	4	M047	DE61-40065A	FOOT; -,PPT,2x22x17mm,BLK,-,-,-	SA	4
6-5	3	M042	DE91-70061A	ASSY H.V.FUSE; THV060T,5KV,800mA,SCREW,WH	SA	1
7	1	Y103	DE94-03133A	ASSY CAVITY COATING; MC28H502MAW/BW,1.0 c	SNA	1
7-1	2		DE94-03134A	ASSY CAVITY WELDING; MC28H502MAW/BW,1.0CU	SNA	1
8	2	P214	DE94-03178A	ASSY BRACKET UPPER; MC28H5013AK/BW,EGI-SE	SNA	1
8-1	3	M003	DE61-01191A	BRACKET-UPPER; 1.0value convec,EGI-SECC,T	SA	1
9	2	M051	DE63-00237A	COVER-CEILING; CE297DN-5,MICA SHEET,T0.3,	SA	1
10	2	M037	DE63-00616A	COVER AIR; CE107V/XEN,PP,HB	SA	1
11	2	P186	DE63-00617A	COVER BACK; 1.0 VALUE CONVECTION,GI-SGCC,	SA	1
12	2	H071	DE47-00055B	HEATER SHEATH-GRILL; AC220V,BKT,1350W,SUS	SA	1
13	2		DE94-03468B	ASSY HOLDER-WIRE; MC28H5125AK/EU,DE94-032	SNA	1
13-1	3	B022	DE94-03224A	ASSY BODY LATCH; MC28H5125AW/EU,H5100 CON	SA	1
13-1-1	4	B024	DE96-00120T	ASSY BODY LATCH SUB; PG117R(TBMO/SIDE),NY	SA	1

No.	Lvl.	Loc.	Material Code	Description & Specification	SNA	Qty.
13-1-1-1	5		DE72-00137D	LATCH BODY; MC1015WB/BB,PA66,NATURAL,KN33	SNA	1
13-1-1-2	5	B010	DE66-00093B	LEVER SWITCH-A; PG113R,PA66,KN3322VO,BLAC	SA	1
13-1-1-3	5	B011	DE66-00094B	LEVER SWITCH-B; PG113R,PA66,KN3311,NTR	SA	1
13-1-2	4	B046	3405-001032	SWITCH-MICRO; 125/250VAC,16A,200gf,SPDT,T	SA	1
13-1-3	4	B048	3405-001034	SWITCH-MICRO; 125/250VAC,16A,200gf,SPST-N	SA	2
13-2	3		DE96-00937B	ASSY WIRE HARNESS-MAIN; 1.0 CONVECTION,FR	SA	1
13-3	3	W038	DE96-00924A	ASSY WIRE HARNESS-B; CE104VD,230V/50HZ,1.	SA	1
14	2	M034	DE67-60081A	COUPLER; 3RD-1.0/1.3,PPS,BROWN	SA	1
15	2	M005	DE61-70060A	SPRING-PLATE; SK5,T0.5	SNA	1
16	2	M036	4713-001524	LAMP-INCANDESCENT; 22x53,BK,20,230,CLEAR,	SA	1
17	2	M038	DE26-00152A	TRANS H.V; SHV-EPT10A,230V,2385V/3.45V,AL	SA	1
18	2	M495	DE31-10170B	MOTOR AC DRIVE; SM16FHK36P1AW3,8,220~240V	SA	1
19	2	M054	DE32-10013A	SENSOR TEMP; 1.0Kohm	SA	1
20	2	M012	DE61-01529A	BRACKET HEATER; 1.1 CELLO,EGI-SECC,T0.8	SNA	1
21	2	M436	DE47-20009A	THERMOSTAT; 125/250V,15/7.5A,150,60,NORMA	SA	1
22	2	M035	OM75P(31)ESGN	ASSY-MGT; ASSY-MGT		1
23	2	M483	DE65-20014A	CABLE CLAMP; NY-66,DA-6N	SNA	1
24	2	M015	DE96-00385A	CBF-POWER CORD; AT,EUROPE,EU3S,,,,Gray,12	SA	1
25	2	M113	DE61-01531A	SUPPORT HEATER; 1.1 CELLO,ALUMINA,-,-	SA	1
26	2	M448	DE47-20017B	THERMOSTAT; 125/250V,15/7.5A,150,140,NORM	SA	1
27	2	M480	6502-001085	CABLE CLAMP; DALC-4,ID5.3,T0.5,GA-SGCC,BL	SNA	1

## 2. Assy Door

### Exploded View

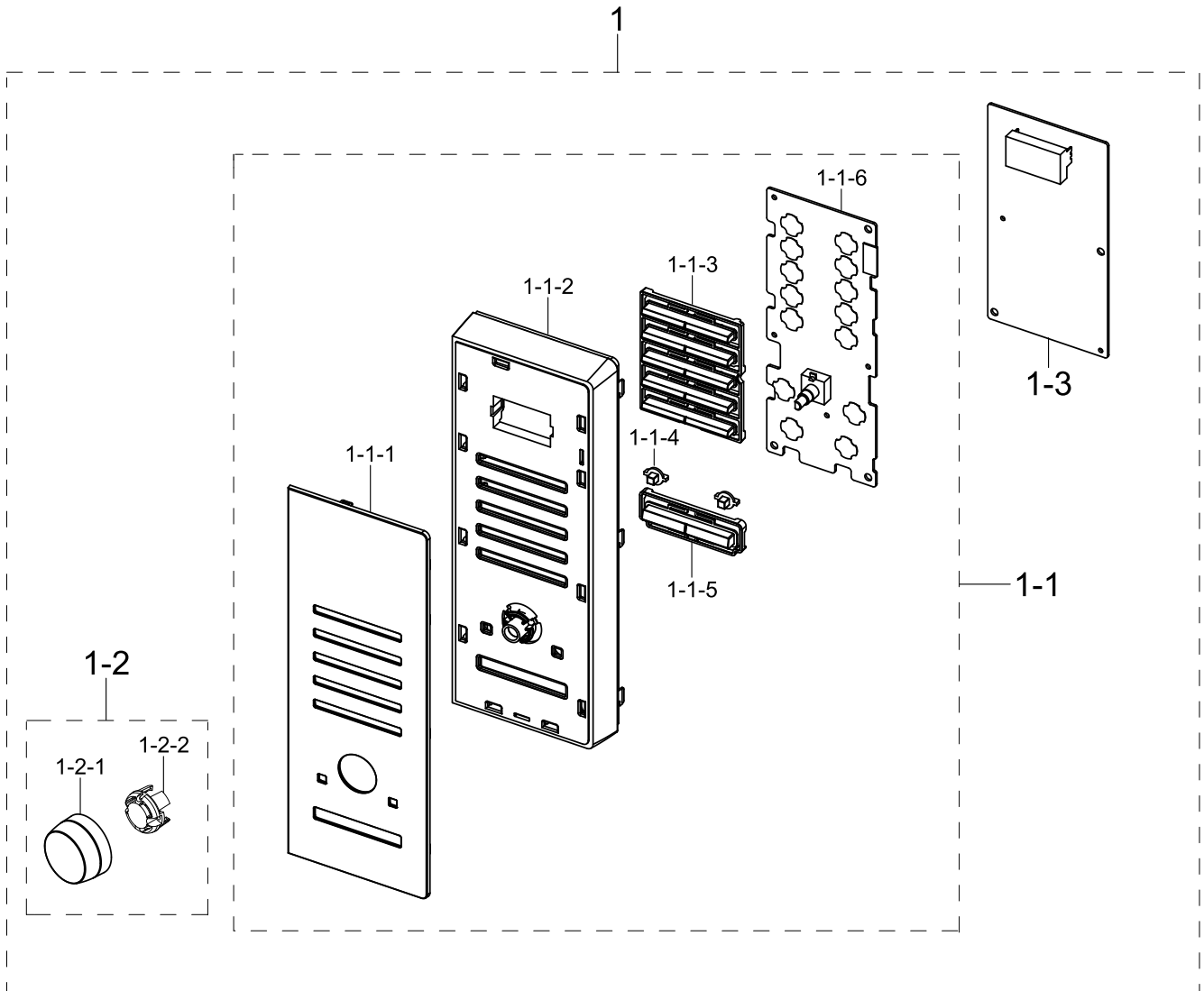


**Parts List**

No.	Lvl.	Loc.	Material Code	Description & Specification	SNA	Qty.
1	1	D049	DE94-03138A	ASSY DOOR; MC28H5125AK/EU,BLACK,PC,CHIC2,	SA	1
1-1	2	D006	DE64-02267A	DOOR C; CE107V/XEN,PBT,BLACK K21249	SA	1
1-2	2	D200	DE94-02226C	ASSY DOOR E-SUB; 1.0 CON,EGF,BLACK,OUT-SO	SA	1
1-2-1	3	D204	DE94-02172A	ASSY DOOR E-SEALANT; 1.0 CONV,SCP,BLACK,N	SA	1
1-2-2	3	D012	DE64-01353A	KEY DOOR-UP; SCOUT,PA66,-,BLACK,UPPER	SA	1
1-2-3	3	D007	DE61-01406A	SPRING ETC-KEY; SWP,0.7,4.6,6,17	SNA	2
1-2-4	3	D014	DE64-01352A	KEY DOOR-BOTTOM; SCOUT,PA66,-,BLACK,LOWER	SA	1
1-2-5	3	D017	DE60-60008A	PIN HINGE; MSW,MSW10,MSW	SNA	2
1-3	2	D037	DE94-03139A	ASSY DOOR A; MC28H514TAK/EU,BLACK, NORMAL	SA	1

### 3. Assy Control

#### Exploded View



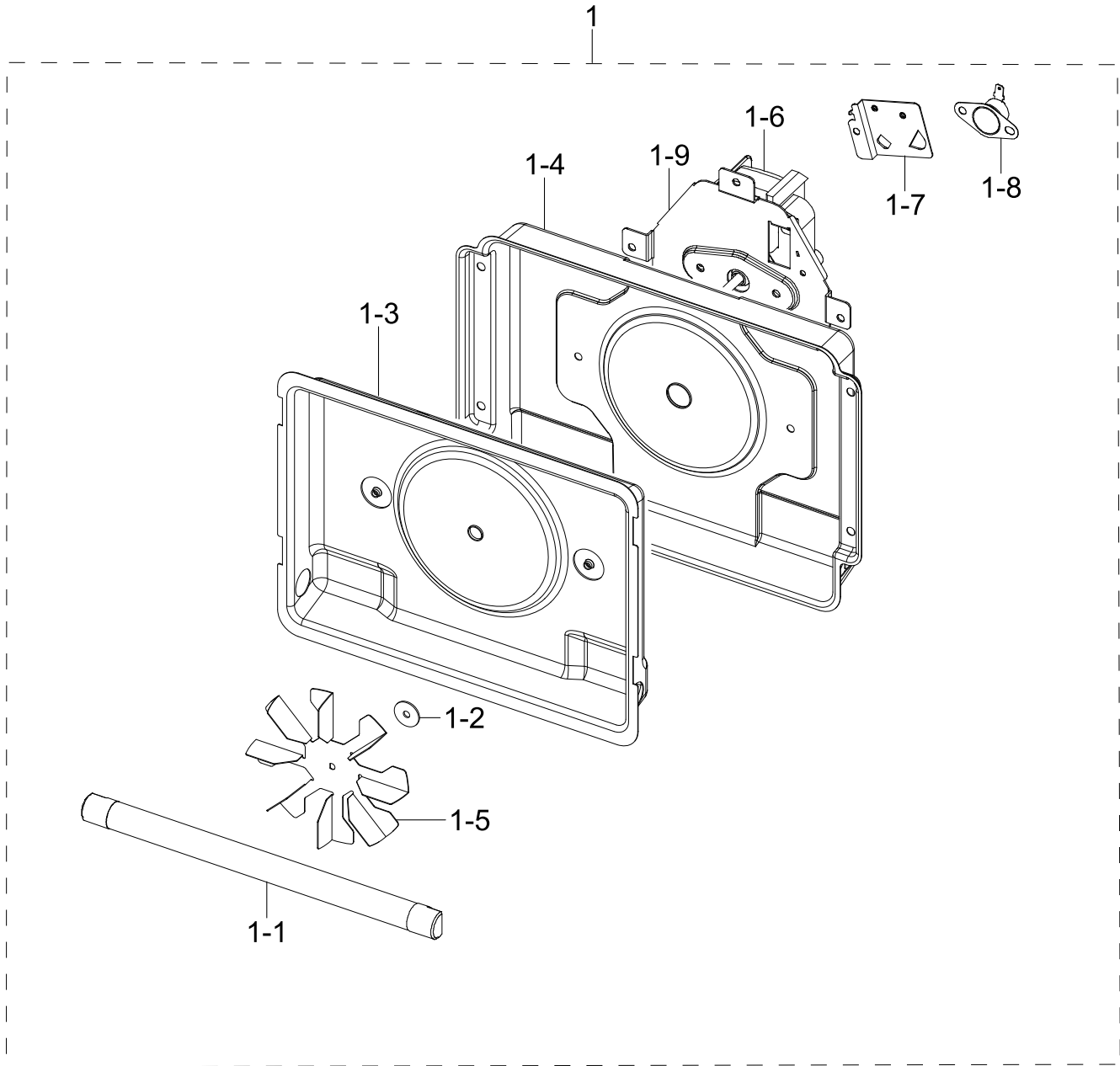
#### Parts List

No.	Lvl.	Loc.	Material Code	Description & Specification	SNA	Qty.
1	1	C082	DE94-03140F	ASSY CONTROL BOX; MC28H5135CK/EF,230V/50H	SNA	1
1-1	2	C001	DE94-03156G	ASSY CONTROL PANEL; MC28H5135CK/EF,BLK,PC	SA	1
1-1-1	3		DE63-00784C	COVER PANEL; MC28H5135CK/EF,SAN,T2,HB,CR-	SNA	1
1-1-2	3	C005	DE64-02792A	CONTROL PANEL; MW-H510G,PC,284.3,107.3,HB	SNA	1
1-1-3	3		DE64-02690B	BUTTON SELECT-A; MC32F606T(1.1CELLO),ABS,	SA	1

No.	Lvl.	Loc.	Material Code	Description & Specification	SNA	Qty.
1-1-4	3	C035	DE64-02709A	BUTTON-CLOCK; MC32F604T,ABS,HB,GE BLACK	SA	2
1-1-5	3		DE64-02691B	BUTTON SELECT-B; MC32F606T(1.1CELLO),ABS,	SA	1
1-1-6	3	C084	DE96-01040A	ASSY KEY MODULE; MC28H514TAK/EU,DKM-CHIC2	SA	1
1-2	2	C184	DE94-03155A	ASSY KNOB DIAL; MC28H515TCK_EF,PMMA+ABS,B	SA	1
1-2-1	3		DE64-02798A	KNOB DIAL; MW-H510G,ABS,HB,EBONY BLACK,PM	SNA	1
1-2-2	3		DE61-01550A	HOLDER KNOB; MW-H510G,ABS,T2,GE BLACK,HB	SNA	1
1-3	2	F316	DE92-02726J	ASSY PCB MAIN; RCS-S100GL-08,MW5100H-PJT,	SA	1

# 4. Assy Casing

## Exploded View



## Parts List

No.	Lvl.	Loc.	Material Code	Description & Specification	SNA	Qty.
1	2	H067	DE94-02938C	ASSY CASING; MC32F606TCT,800W,1.1CELLO(CO	SA	1
1-1	3	M295	DE47-00048A	HEATER QUARTZ-CONVECTION; AC230V,600W,QUA	SA	1
1-2	3	H011	DE60-40014B	WASHER-C MOTOR; EGI-SECC,T1.0,ZNC3	SNA	1
1-3	3	H014	DE61-01188A	BRACKET CASING; 1.0 VALUE CONVECTION,ALST	SNA	1



No.	Lvl.	Loc.	Material Code	Description & Specification	SNA	Qty.
1-4	3	H015	DE63-00618A	COVER CASING; 1.0value convec,EGI-SECC,T0	SA	1
1-5	3	H098	DE31-00060A	BLADE-FAN; 1.0value convec,ALCOT,T0.5,VAL	SA	1
1-6	3	H001	DE31-00049C	MOTOR AC CONVECTION; TRIO,SMC-E7103B,2,23	SA	1
1-7	3	H012	DE61-01371A	BRACKET-TCO; SMH9151B/XAA,EGI-SECC	SA	1
1-8	3	M436	DE47-20009A	THERMOSTAT; 125/250V,15/7.5A,150,60,NORMA	SA	1
1-9	3	P082	DE61-00956A	BRACKET MOTOR; CE1071AR/BWT,EGI-SECC,T1,1	SA	1