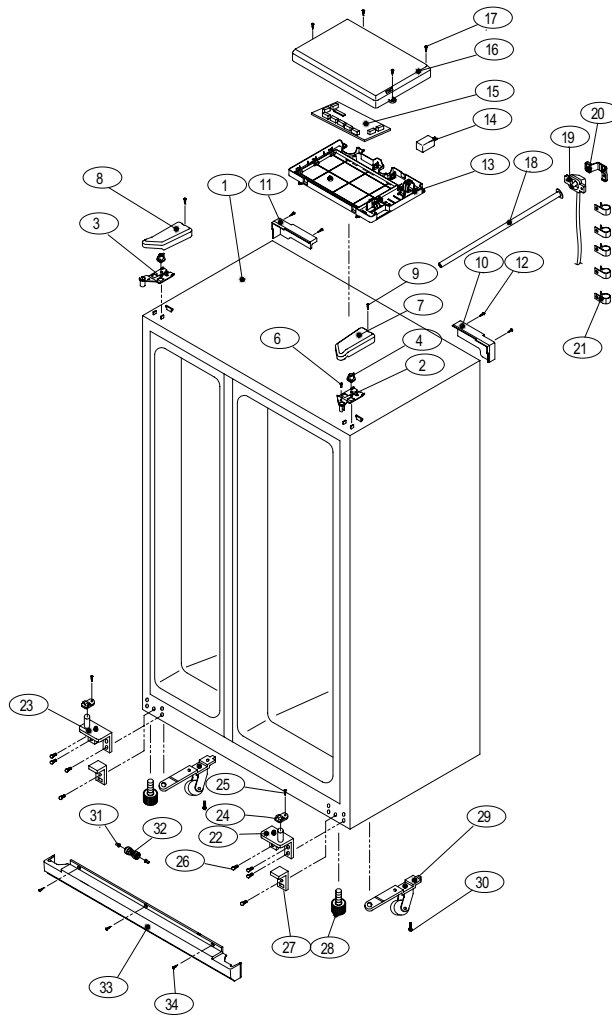


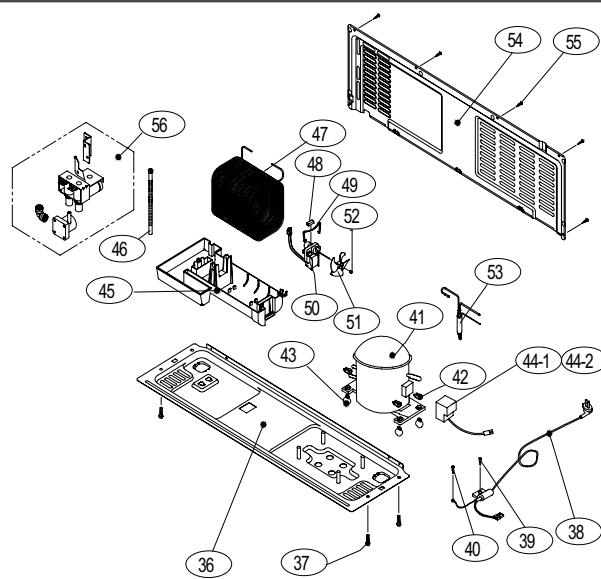
EXPLODED VIEW AND PARTS LIST

■ FRS-2431

CABINET

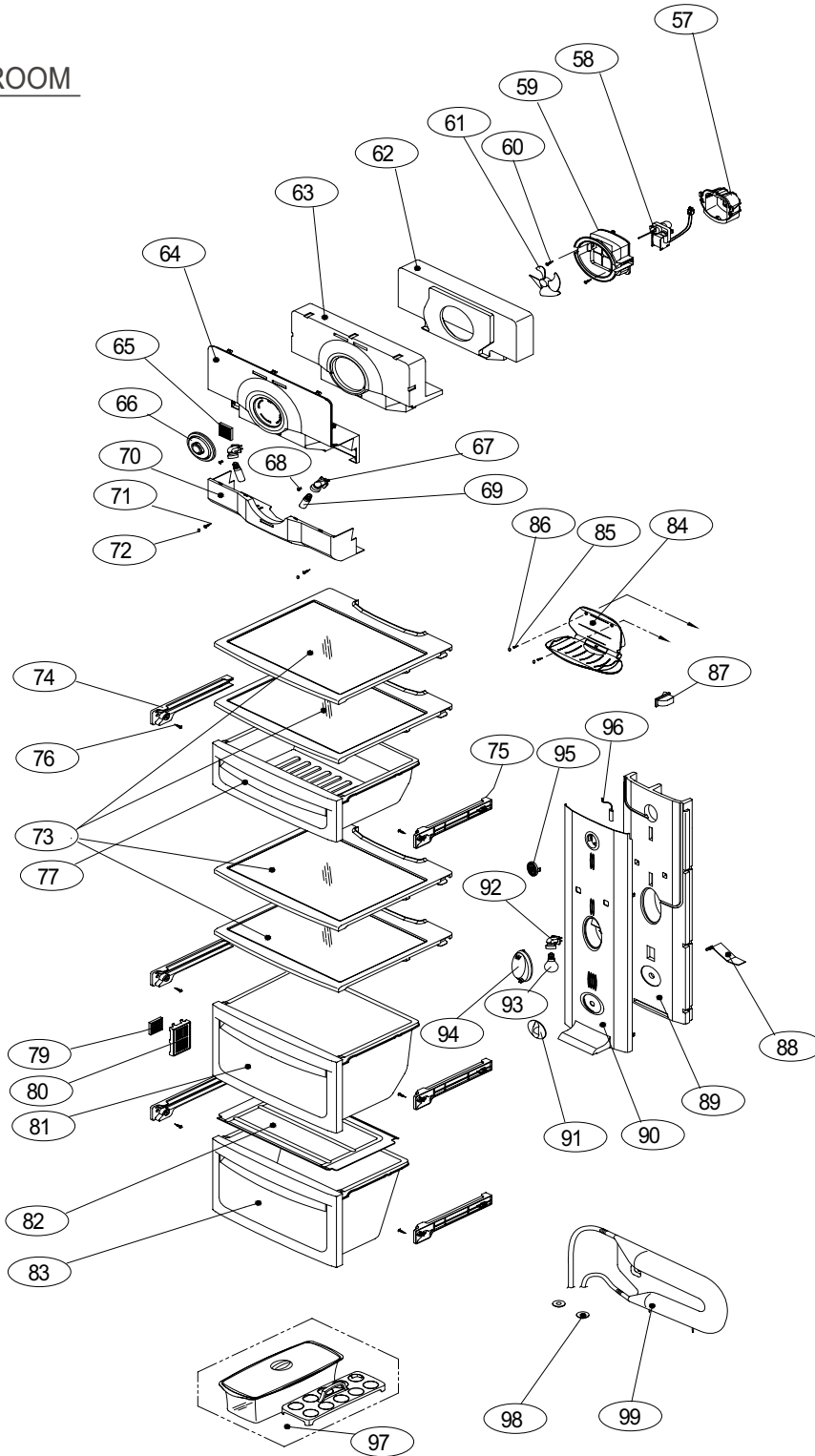


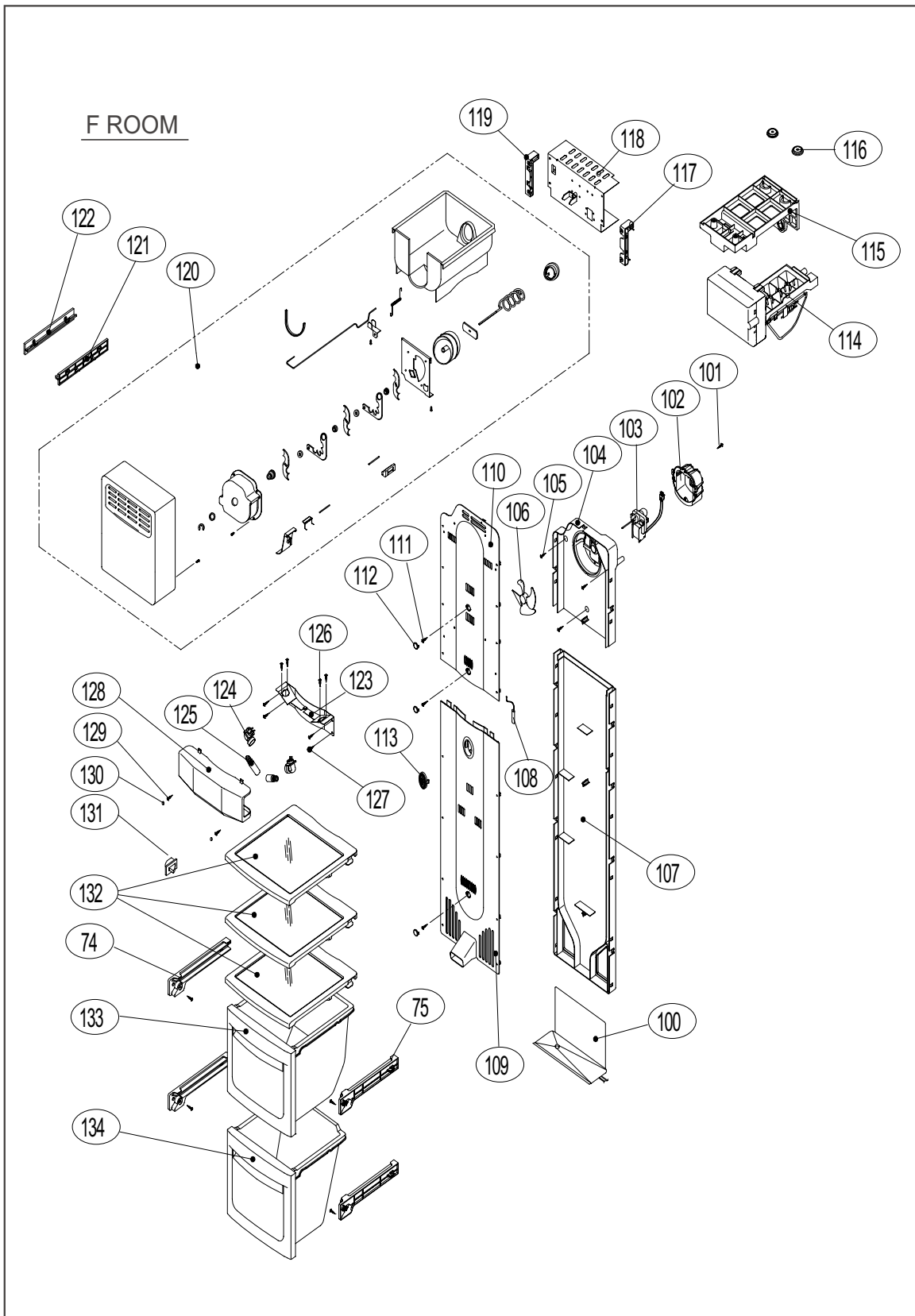
MECH ROOM



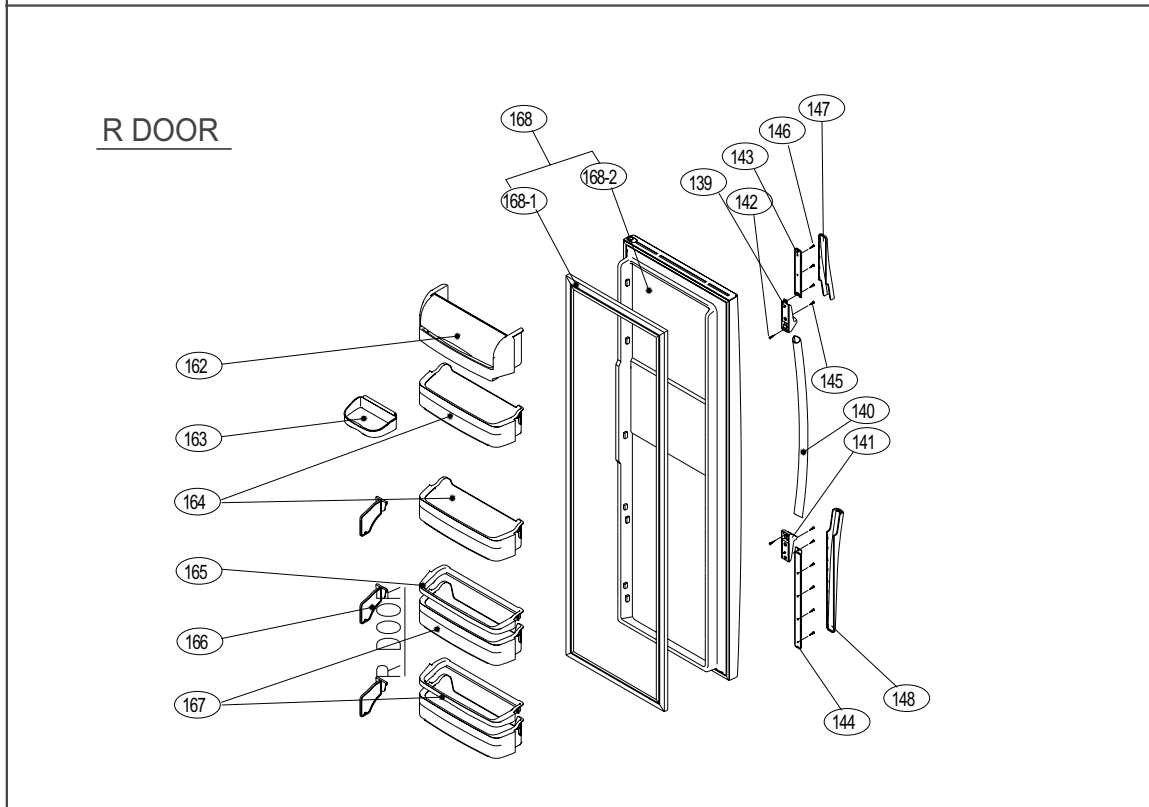
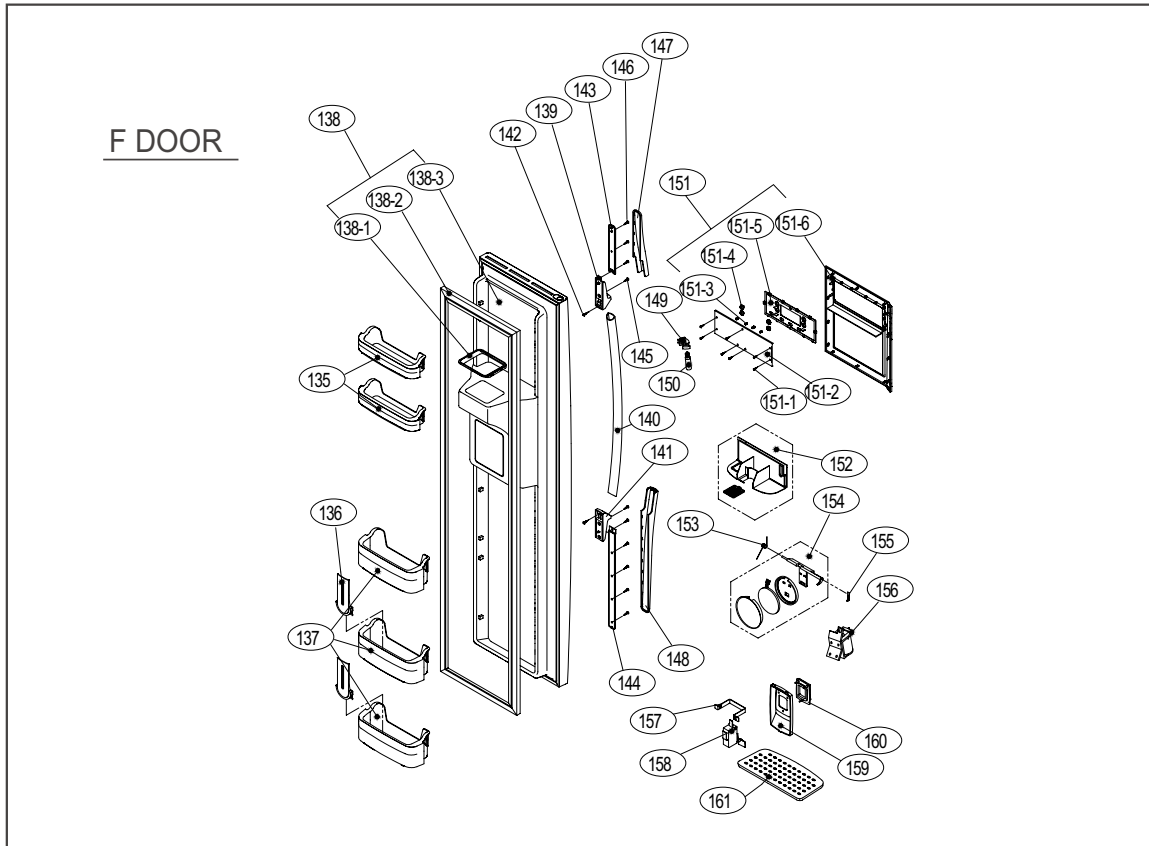
FRS-2431

R ROOM





■ FRS-2431



EXPLODED VIEW AND PARTS LIST

Total Parts List

★ FRS-2431

NO	PART CODE	PART NAME	Q'TY	REMARK
1	300003600	ASSY CAB URT	1	
2	3012917600	HINGE *T *R AS	1	PO T3.0
3	3012918500	HINGE *T *L AS	1	PO T3.0
4	3016031400	SCREW SPECIAL	2	
6	7051401065	SCREW MACHINE	1	PAN 4 x 10 SW BSNI
7	3011472400	COVER HI *T *R	1	PP
8	3011472300	COVER HI *T *L	1	PP
9	7112401211	SCREW TAPPING	2	T1 TRS 4 x 12 MFZN
10	3012601301	HANDLE CAB COVR *R	1	PP
11	3012601201	HANDLE CAB COVR *L	1	PP
12	7112401211	SCREW TAPPING	1	T1 TRS 4 x 12 MFZN
13	3010533400	BOX MAIN PCB	1	PP
14		CAPACITOR RUN	1	
15		PCB MAIN AS	1	
16	3011472610	COVER MAIN PCB BOX	1	PP
17	7112401211	SCREW TAPPING	1	T1 TRS 4 x 12 MFZN
18	3013223400	HOSE ICE MAKER TUBE AS	1	
19	3012519200	GUIDE CAB W/TUBE A AS	1	
20	3011485600	COVER GUIDE CAB W/TUBE A	1	HIPS
21	3011202000	CLAMP WATER TUBE A	5	PA -66
22	3012917800	HINGE *U *R AS	1	PO T3.0
23	3012917700	HINGE *U *L AS	1	PO T3.0
24	3012513300	GUIDE *U HINGE *U	2	POM
25	7002501611	SCREW MACHINE	2	TRS M5 x 16 MFZN
26	3016001240	SPECIAL BOLT *T	8	6 x 22 SWCH22A(YL)
27	3015306700	SUPPORTER *U HI AS	2	PO T5.0
28	3012104400	FOOT ADJUST AS	2	
29	3016501200	CASTER TURN AS	2	TURN CASTER
30	3016001240	SPECIAL BOLT *T	2	6 x 22 SWCH22A(YL)
31	3012019500	FIXTURE TUBE FIT B	2	PP
32	3013064200	HOLDER TUBE A	1	ACETAL
33	3011471010	COVER CAB BRKT	1	PP

EXPLODED VIEW AND PARTS LIST

NO	PART CODE	PART NAME	Q'TY	REMARK
34	7142401611	SCREW TAPPING	3	T2 TRS 4 x 16 MFZN
36	3010326700	BASE COMP AS	1	SBHG T1.2
37	3016003300	SPECIAL BOLT	4	T2 M6.5 x 20 4EA
38	3011344200	CORD POWER AS	1	250V 12A
39	7112401211	SCREW TAPPING	1	T1 TRS 4 x 12 MFZN
40	7051401065	SCREW MACHINE	1	PAN 4 x 10 SW BSNI
41		COMP	1	
42	3016002500	SPECIAL WASHER	4	SK -5 T0.8
43	3010101600	RUBBER ABSORBER COMP	4	NBR
44 -1		SWITCH P RELAY AS	1	
44 -2	3811402100	COVER RELAY	1	DS3 -3NORYL S/S
45	3011113500	CASE VAPORI	1	PP + CTALC
46	3013201700	HOSE DRAIN B	1	PE FRB -5350NT
47	3014413730	PIPE WICON AS	1	
48	3010102100	ABSORBER C MOTR	1	NR FRB -5350NT
49	3012004400	FIXTURE C MOTR	1	SUS
50	3015911500	MOTOR C FAN AS	1	DC12V 2.5W
51	3011802200	FAN	1	ABS (O.D.)3.17 x D110
52	3011200500	CLAMP FAN	1	SUS 304
53	3016806900	DRYER AS	1	XH-9 15g
54	3011474700	COVER MACH ROOM AS	1	SBHG T0.4
55	7112401211	SCREW TAPPING	6	T1 TRS 4 x 12 MFZN
56	3015403200	VALVE WATER AS	1	
57	3012007800	FIXTURE MOTOR A	1	PP
58	3015911400	MOTER R FAN AS	1	
59	3012007900	FIXTURE MOTOR B	1	HIPS
60	7122401211	SCREW TAPPING	2	T2S TRS 4 x 12 MFZN
61	3011802200	FAN	1	ABS (O.D.)3.17 x D110
62	3013344200	INSU DAMP B	1	F-PS
63	3013344100	INSU DAMP A	1	F-PS
64	3011471200	COVER DAMP	1	HIPS
65	3018701800	DEO ANTI AS	1	
66	3011471300	COVER DEO	1	ABS

EXPLODED VIEW AND PARTS LIST

NO	PART CODE	PART NAME	Q' TY	REMARK
67	3017905300	SOCKET R LAMP AS	2	
68	7121300811	SCREW TAPPING	1	T2S PAN 3 x 8
69		LAMP R A	2	
70	3015507900	WINDOW R LAMP A	1	MIPS
71	3016002710	SPECIAL SCREW	2	4 x 12
72	3010903200	CAP SCREW	2	PE
73	3017831900	SHELF R AS	4	GLASS + HIPS
74	3012514500	GUIDE CASE A *L AS	5	ABS
75	3012514600	GUIDE CASE A *R AS	5	ABS
76	7142401611	SCREW TAPPING	10	T2 TRS 4 x 16 MFZN
77	3011177700	CASE CHILD AS	1	GPPS + HIPS
79	3018701800	DEO ANTI AS	1	
80	3011472900	COVER RETURN DUCT	1	HIPS
81	301 1178200	CASE VEGETB A AS	1	GPPS + HIPS
82	3011485400	COVER VEGETB CASE B	1	GPPS
83	301 1178300	CASE VEGETABLE B AS	1	GPPS + HIPS
84	3017827500	SHELF WINE AS	1	ABS
85	3016002710	SPECIAL SCREW	2	4 x 12
86	3010903200	CAP SCREW	2	PE
87	3018124000	SWITCH LAMP	1	SP201R-7DR
88	3017100500	FLAP MULT DUCT	1	PP
89	3013345000	INSU MULT DUCT AS	1	F-PS
90	3011472700	COVER MULT DUCT	1	HIPS
91	3013408100	KNOB MULT DUCT	1	ABS
92	3017905310	SOCKET R LAMP AS	1	250V 1A
93		LAMP R B	1	
94	3015508000	WINDOW R LAMP B	1	MIPS
95	3011473000	COVER SENS	1	ABS
96	3014805400	SENSOR R AS	1	PBN -438
97	3011171300	CASE EGG AS	1	GPPS
98	3014002500	PACKING W/TUBE GUIDE A	2	SILICON
99	3018200800	WATER TANK AS	1	HDPE
100	3012515000	GUIDE DRN AS	1	FR -S580CG

EXPLODED VIEW AND PARTS LIST

NO	PART CODE	PART NAME	Q' TY	REMARK
101	7112401211	SCREW TAPPING	1	T1 TRS 4 x 12 MFZN
102	3012007800	FIXTURE MOTOR A	1	PP
103	3015911310	MOTOR F FAN	1	DL-2213DWFA-2
104	3018917200	LOUVER F C	1	PP
105	7142401611	SCREW TAPPING	3	T2 TRS 4 x 16 MFZN
106	3011834500	FAN	1	ABS (O.D.)3.17 x D130
107	3018914910	LOUVER F D AS	1	PP
108	3014805300	SENSOR F AS	1	PT-38
109	3018914700	LOUVER F B AS	1	HIPS
110	3018914600	LOUVER F A AS	1	HIPS
111	7142401611	SCREW TAPPING	3	T2 TRS 4 x 16 MFZN
112	3010924600	CAP F LUVR	3	HIPS
113	3011473000	COVER SENSOR	1	ABS
114	3000025900	ASSY ICE MAKER	1	
115 -1	3012205600	FRAME ICE MAKER	1	HIPS
115 -2	3012521300	GUIDE ICING FLOW	1	PP
116	3012013200	FIXTURE C	2	PP
117	3012517900	GUIDE G/MOTR BRACKET *R	1	ABS
118		BRACKET G/MOTR AS	1	
119	3012517800	GUIDE G/MOTR BRACKET *L	1	ABS
120	3011176200	ICE CRUSHER AS	1	
121	3012517700	GUIDE ICE CRUSHER *R	1	ABS
122	3012520500	GUIDE ICE CRUSHER *L	1	ABS
123	3014559510	PLATE LAMP F	1	SBHG T0.8
124	3017905200	SOCKET F LAMP AS	2	
125		LAMP F	2	
126	7121300811	SCREW TAPPING	4	T2S PAN 3X8 MFZN
127	7112401211	SCREW TAPPING	4	T1 TRS 4 x 12 MFZN
128	3015507710	WINDOW F LAMP	1	MIPS
129	3016002710	SPECIAL SCREW	2	4 x 12
130	3010903200	CAP SCREW	2	PE
131	3018124000	SWITCH LAMP	1	SP201R -7DR
132	3017831800	SHELF F AS	3	GLASS + HIPS
133	3011177800	CASE F A AS	1	GPPS + HIPS

EXPLODED VIEW AND PARTS LIST

NO	PART CODE	PART NAME	Q' TY	REMARK
134	3011177900	CASE F B AS	1	GPPS + HIPS
135	3019019000	POCKET F *T	2	HIPS
136	3012516000	GUIDE F POCKET	2	PP
137	3019019100	POCKET F *U	3	HIPS
138	3000028000	ASSY F DR	1	FR -S660CWI
138-1	3010957100	CAP ICE PATH FRAME	1	HIPS
138-2	3012314200	GASKET F DR AS	1	PVC
138-3	3000003700	ASSY F DR URT	1	
139	3011623800	DECO HNDL *T	1	AB S
140	3012628500	HANDLE	1	AL
141	3011613900	DECO HNDL *U	1	ABS
142	3016031700	SPECIAL SCREW	2	
143	3010326100	BASE DECO COVER *T	1	HIPS
144	3010326200	BASE DECO COVER *U	1	HIPS
145	3016002700	SPECIAL SCREW	4	WASR + TRS 5 X 16 MFZN
146	7112401211	SCREW TAPPING	6	T1 TRS 4 x 12 MFZN
147	3011472100	COVER HNDL DECO *T	1	ABS
148	3011472200	COVER HNDL DECO *U	1	ABS
149	3017905500	SOCKET DISP BOX AS	1	250V 1A
150		LAMP DISP	1	
151	3011485800	COVER DISPNS BOX AS	1	FR -S650CWI
151-1	7173300811	SCREW TA PPTITE	7	T1 PAN 3 x 8 MFZN
151-2	30143C3110	PCB FRONT AS	1	FR -S660CW (SBS03-HLCD)
151-3	3016302600	BUTTON CONTL B	4	ABS
151-4	3016303100	BUTTON CONTL A	4	ABS
151-5	3015508700	WINDOW F PCB	1	ABS
151-6	3011485500	COVER DISPNS BOX	1	ABS
152	3010539100	BOX DISPNS ICE SHUT AS	1	GPPS + ABS
153	3015102200	SPRING ICE D/LEVER	1	∅0.8 SUS 304
154	3011485900	COVER ICE FLAP AS	1	
155	3012019700	FIXTURE ICE SHUT LVR	1	T1 SUS304
156		VALVE SOL DISP	1	DISP SN6
157	3012020000	FIXTURE MICRO S/W	1	T0.6 SUS304-3/ 4H
158	3018126600	MICRO S/W AS	1	FR -S660CD

EXPLODED VIEW AND PARTS LIST

NO	PART CODE	PART NAME	Q'TY	REMARK
159	3012518200	GUIDE DISPENSER A	1	ABS
160	3012518900	GUIDE DISPENSER B	1	SILICON
161	3012402100	GRILLE DISPENSER	1	ABS
162	3019019400	POCKET DAIRY AS	1	GPPS + HIPS
163	3019019300	POCKET R *S	1	GPPS
164	3019019800	POCKET R *M	2	HIPS
165	3012514100	GUIDE R POKT	2	HIPS
166	3012513400	GUIDE BOTL	2	PP
167	3019019200	POCKET R	2	HIPS
168	3000018800	ASSY R DR	1	FR -S580CG
168 - 1	3012314500	GASKET R DR AS	1	PVC
168 - 2	3000003810	ASSY R DR URT	1	