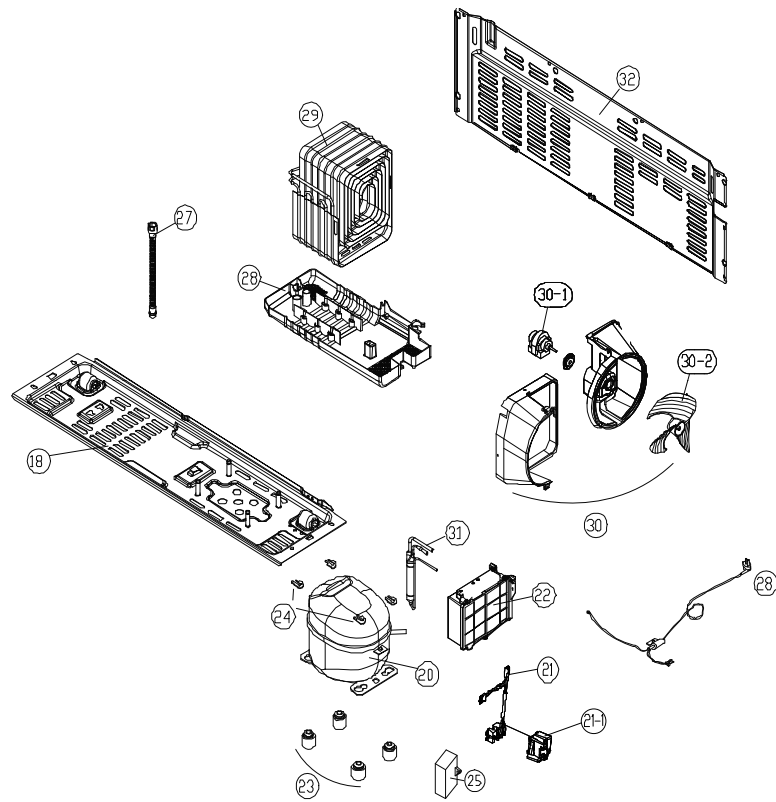


No	Part Code	Part Name	Description	Q'ty		
				Basic	DISP.	DISP. +H/BAR
1	-	ASSY CAB URT	-	1	1	1
2	3012933100	HINGE *T *R	PO T3.0+PAINT	1	1	1
3	3012933000	HINGE *T *L	PO T3.0+PAINT	1	1	1
4	3001436800	COVER HI *T *R AS	FRX-621B	1	1	1
4-1	3018125601	SWITCH H/BAR DR AS	SP101B-2D1(G) GRAY	1	1	1
5	3001436700	COVER HI *T *L AS	FRX-621B	1	1	1
5-1	3018125601	SWITCH H/BAR DR AS	SP101B-2D1(G) GRAY	1	1	1
7	30143HR070	PCB MAIN AS	Basic	1	X	X
	30143KV070		DISP.(None Inverter Comp.)	X	1	x
	30143KV090		DISP.(Inverter Comp.)			
	30143KV060		DISP.+H/BAR(None Inverter Comp.)	x	X	1
	30143KV080		DISP.+H/BAR(Inverter Comp.)			
8	3011446001	COVER M/PCB BOX	PP(FB-72)	1	1	1
9	3013226800	HOSE ICE MAKER TUBE AS	220-240V/5W	X	1	1
	3013226810		110-127V/5W			
10	3012540200	GUIDE CAB W/TUBE A AS	X22.. MODEL	X	1	1
11	3011444100	COVER GUIDE CAB W/T A	PP	X	1	1
14	3012933500	HINGE *U *R AS		1	1	1
15	3010673800	BRACKET ADJ FOOT AS		2	2	2
16	3012933400	HINGE *U *L AS		1	1	1
17	3001440200	COVER CAB BRKT AS	FRX-621B	1	1	1

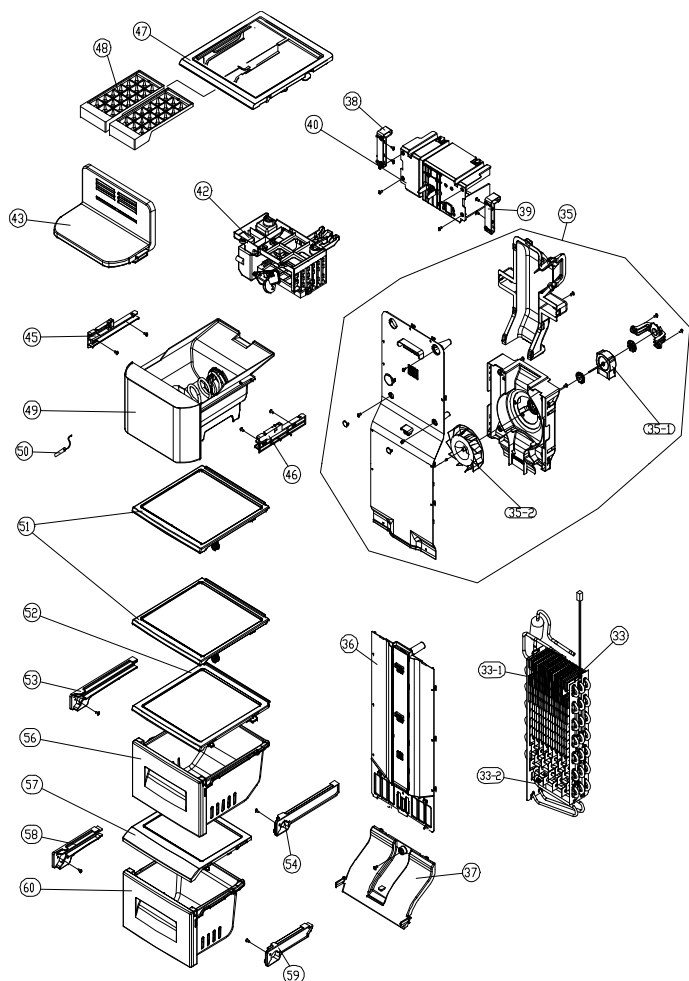
- Some parts can be changed for improving their performance without notice.

No	Date	Note



No	Part Code	Part Name	Description	Q'ty
18	3010359600	BASE COMP AS	-	1
19	OPTION	CORD POWER AS	country dependent	1
20	3956180910	COMPRESSOR	EGX80HLC (115-127V/60Hz)	1
	3956183H4B		MK183H-L2UB(220V/60HZ)	
	3956183D2B		MK183D-L2UB(110-127V)	
	3956183Q5B		MK183Q-L2UB(220-240V/50Hz)	
	3956112250		DG125E11RAW5(220-240V/50Hz)	
	3956114M80		LQ140NAEM(220-240V/50Hz)	
	3959115280		EU4A5Q-L2X, Inverter Comp.	
21	3018132600	SWITCH P TSD AS	4TM445KFB(EGX80HLC)	1
	3018129720	SWITCH P RELAY AS	265RFB, J531Q34E220M(MK183H)	
	3018129710		445PHB, J531Q32E6R8M(MK183D)	
	3018129600		265RHB, J531Q35E330M(MK183Q)	
	3018129650		232NFB, PTH7M330MD2(DG125E11)	
	3018133900		4TM205RFB, 330M(LQ140NAEM)	
3018133800	4TM319SFB(EU4A5Q), Inverter			
21-1	3811402510	COVER RELAY	MQ98(LOPOX PTJULM54) LG C	1
	3011402100		DS3-3NORYL S/S Comp.	
22	3814300300	BOX INVERTER AS	PP(EU4A5Q Only), Inverter Co	1
23	3010101600	ABSORBER COMP	NBR	4
	3010101480	ABSORBER COMP AS	NBR+SPRING	
24	3016002500	COMP WASHER	SK-5 T0.8	4
25	3016405700	CAPACITOR RUN	250VAC/12 $\mu$ F (WIRE, P2)	1
	3016406100		400VAC/5 $\mu$ F (WIRE, P2)	
	3016405900		350VAC/5 $\mu$ F (WIRE, P2)	
	3016405020		250VAC/12 $\mu$ F (WIRE, P2)	
27	3013201700	HOSE DRN B	PE FRB-5970NB	1
28	3011199L00	CASE VAPORI AS	FRX-621B	1
29	3014467200	PIPE WICON AS	TWS OD4.76*TO.7	1
30	3018410500	MOUTHBELL AS	FRX-621B	1
30-1	3015920900	MOTER C FAN	D4612AAA31	1
30-2	3011836300	FAN	PP OD3.17*D150	1
31	3019808100	DRYER AS	C1220T-M OD19.05*L135	1
32	3001436500	COVER MACH RM AS		1

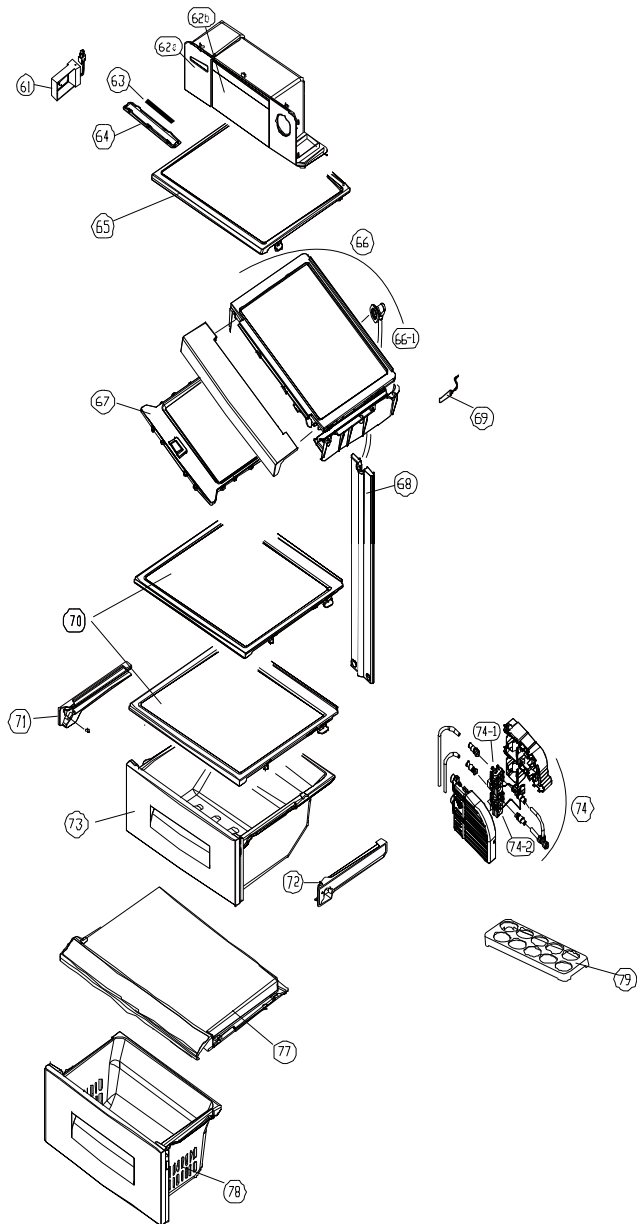
- Some parts can be chaged for improving their performance without notice.



NO	PART-CODE	PART NAME	SPEC.	Q'ty	
				Basic Model	Dispenser Model
33	3017068900	EVA AS	220-240V, 280W	1	1
	3017068910		110-127V, 250W		
33-1	3014809500	SENSOR D AS	PBN-43	1	1
33-2	3012824210	HEATER SHEATH AS	220-240V, 280W	1	1
	3012824220		110-127V, 250W		
35	3018928600	LOUVER F A AS	FRY-621B	1	1
35-1	3015920700	MOTOR F FAN AS		1	1
35-2	3011836400	FAN F		1	1
36	3018928900	LOUVER F B AS	FRY-621B	1	1
37	3001434700	COVER F RETURN	HIPS	1	1
38	3012517800	GUIDE G MOTR BRKT*L	ABS	x	1
39	3012517900	GUIDE G MOTR BRKT*R	ABS		
40	3010673600	BRACKET GEARED MOTR AS	FRX-601D, 220-240V/50Hz		
	3010673620		FRX-601D, 220-240V/60Hz		
	3010673610		FRX-601D, 110-127V		
42	3012231400	FRAME I/MAKER AS	FRX-601D		
43	3001435000	COVER I/CRUSHER*T	HIPS		
45	3012538200	GUIDE I/CRUSHER *L	ABS		
46	3012538100	GUIDE I/CRUSHER *R	ABS		
47	3017851700	SHELF F ICE AS	FRX-621B	1	x
48	3011186300	CASE ICING	PP	2	x
49	3011199K00	CASE I/CRUSHER AS	FRX-601D	x	1
50	3014809300	SENSOR F AS	PT-38	1	1
51	3017851200	SHELF F AS		2	2
52	3001438000	COVER F CASE*T AS		1	1
53	3012514512	GUIDE CASE A *L AS	FR-S580EG(PP)	1	1
54	3012514612	GIDUE CASE A *R AS	FR-S580EG(PP)	1	1
56	3011124000	CASE F*T AS		1	1
57	3001434500	COVER F CASE *U	HIPS	1	1
58	3012529712	GUIDE CASE C *L AS	FRU-571I(PP)	1	1
59	3012529812	GUIDE CASE C *R AS	FRU-571I(PP)	1	1
60	3011124100	CASE F*U AS	FRX-621B	1	1

- Some parts can be chaged for improving their performance without notice.

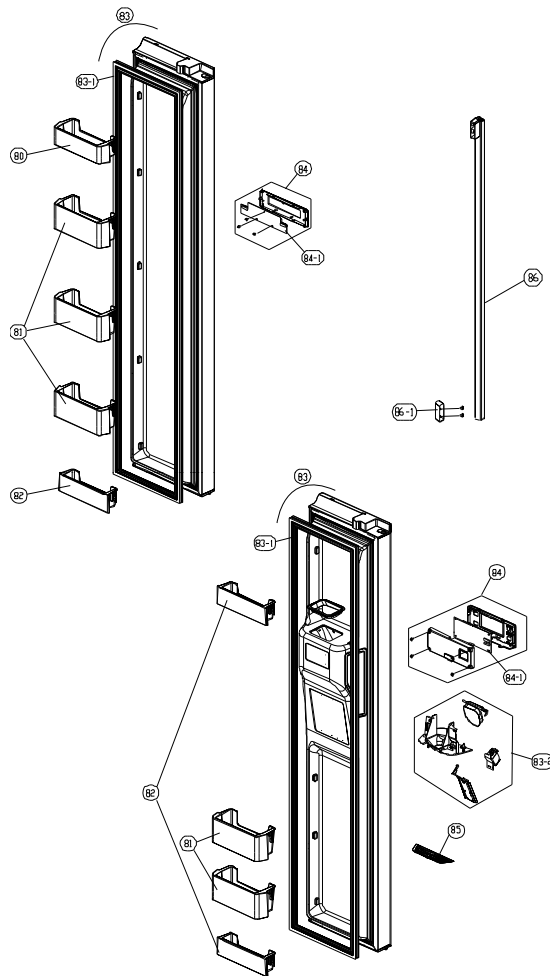
Refrigerator Compartment



NO	PART-CODE	PART NAME	SPEC.	Q'ty	
				Basic Model	Dispenser Model
61	3016767100	DAMPER AS	DU24-013	1	1
62a	3001436900	COVER DAMPER AS	FRX-621B	1	1
62b	3015517000	WINDOW COVR DAMP	GPPS	1	1
63	30143HJ220	PCB REF LED AS	9-LED FR-4 230X20-1.67	1	1
64	3015517100	WINDOW R LED *T	ABS	1	1
65	3017851300	SHELF R AS	FRX-621B	1	1
66	3017858300	SHELF W/TANK TOTAL AS	FPX-602	X	1
66-1	3012544900	GUIDE W/TANK CASE	FPX-602,SILICON	X	1
67	3018202700	TANK WATER TOTAL AS	FPX-602	X	1
68	301149AX00	COVER W/TUBE	HIPS	X	1
69	3014809400	SENSOR R AS	PBN-43B	1	1
70	3001437200	COVER VEGETB CASE AS	PP+GLASS	2	2
71	3012514512	GUIDE CASE A *L AS	FR-S580EG(PP)	1	1
72	3012514612	GIDUE CASE A *R AS	FR-S580EG(PP)	1	1
73	3011199P00	CASE VEGETB *M AS	FRX-621B	1	1
74	3010580800	BOX W/PUMP AS	FPX-602	x	1
74-1	3018450000	PUMP DISPENSER AS	DC12V, SANKYO	x	1
74-2	3018450100	PUMP I/MAKER AS	DC12V, SANKYO	x	1
77	3001438100	COVER CHANGE RM AS	FRX-621B	1	1
78	3011124200	CASE VEGETB *U AS	FRX-621B	1	1
79	3011190800	CASE EGG TRAY	GPPS(CRYSTAL)	1	1

- Some parts can be chaged for improving their performance without notice

No	Date	Note



NO	PART-CODE	PART NAME	SPEC.	Qty	
				Basic	Disp.
80	3019058000	POCKET F*T	GPPS	1	X
81	3019057900	POCKET F*M	GPPS	3	2
82	3019058100	POCKET F*U	GPPS	1	2
83	30100A4H00	ASSY F DR (Basic Model)	FRX-621B,TSH5E	1	x
	30100A4H10		FRX-621B,TSH5L		
	30100A4H20		FRX-621B,MWH4L		
	30100A4H40		FRX-621B,SUG7E		
	30100A4H50		FRX-621B,BLH6P		
	30100A4H90	FRX-621B,DWH1C			
	30100A4J00	ASSY F DR (Dispenser, Dispenser+H/bar Model)	FRX-601D,TSH5E	x	1
	30100A4J10		FRX-601D,TSH5L		
	30100A4J20		FRX-601D,MWH4L		
	30100A4J40		FRX-601D,SUG7E		
30100A4J50	FRX-601D,BLH6P				
83-1	3012318860	GASKET F DR AS	FRX-621B	1	1
83-2	3010574300	BOX DISPNS I/SHUT AS	220-240V/50Hz	x	1
	3010574310		110-127V/60Hz		
84	3014250900	COVER F PCB AS	FRX-623	1	x
	3014250700	PANEL *F CONTL AS	FRX-603	x	1
84-1	30143JP160	PCB FRONT AS	FRX-623	1	x
	30143JM160		FRX-603	x	1
85	3012407800	GRILLE DISPS	ABS	x	1
86	3012653700	HANDLE F DR AS	FRX-621B	1	1
86-1	3015320100	SUPPORTER F HN DL*U	ABS	1	1

- Some parts can be chaged for improving their performace without notice.

No	Date	Note	Remark	Remark