

DAEWOO

Service Manual

Auto Washer

Model: DWF-200M



DAEWOO ELECTRONICS CO., LTD.

Contents

WASHING MACHINE

1. SPECIFICATIONS	2
2. STRUCTURE OF THE WASHING MACHINE	3
3. DIRECTIONS FOR INSTALLATION AND USE	4
INSTALLATION OF THE UNDER BASE COVER	4
HOW TO INSTALL ON AN INCLINED PLACE	4
HOW TO CONNECT THE INLET HOSE	5
HOW TO CLEAN THE FILTER	6
4. FEATURE AND TECHNICAL EXPLANATION	7
FEATURE OF THE WASHING MACHINE	7
WATER CURRENT TO ADJUST THE UNBALANCED LOAD	7
AUTOMATIC WATER SUPPLY SYSTEM FOR BLANKET WASH	7
FUNCTION PRINCIPLE OF BUBBLE WASHING MACHINE	8
AUTOMATIC DRAINING TIME ADJUSTMENT	8
AUTOMATIC UNBALANCE ADJUSTMENT	9
CIRCULATING-WATER COURSE AND LINT FILTER	9
LINT FILTER	10
RESIDUAL TIME DISPLAY	10
DRAIN MOTOR	10
GEAR MECHANISM ASS'Y	11
5. DIRECTIONS FOR DISASSEMBLY AND ADJUSTMENT	12
GEAR MECHANISM ASS'Y REPLACEMENT	12
MOTOR SYNCHRONOUS AND VALVE REPLACEMENT	14
6. THE REPAIR METHOD OF GEAR MECHANISM FOR CLUTCH	
SPRING PROBLEM	15
THE STRUCTURE OF GEAR MECHANISM	15
HOW TO CHECK THE CLUTCH SPRING PROBLEM	16
THE PROCESS OF DISASSEMBLE	17
THE PROCESS OF ASSEMBLE	19
REPLACE THE CASE FILTER ASSY	21
THE DISASSEMBLE METHOD OF 'PANEL R'	22
THE INFORMATION OF SOME NEW COMPONENTS	23
7. TROUBLE SHOOTING GUIDE	24
CONCERNING WATER SUPPLY	24
CONCERNING WASHING	25
CONCERNING DRAINING	26
CONCERNING SPINING	27
CONCERNING OPERATING	28
8. PRESENTATION OF THE P.C.B ASS'Y	29
APPENDIX	
WIRING DIAGRAM	30
PARTS DIAGRAM	35
PARTS LIST	39
CIRCUIT DIAGRAM	43

1. SPECIFICATIONS

NO.	ITEM	DWF-200M				
1	POWER SOURCE	AVAILABLE IN ALL LOCAL AC VOLTAGE AND CYCLE				
2	POWER CONSUMPTION	50Hz	480W			
		60Hz	550W			
3	MACHINE WEIGHT	NON-PUMP	47Kg			
		PUMP	48Kg			
4	DIMENSION (WXHXD)	630 X 1040 X 670				
5	WASHING COURSE	FULL AUTOMATIC 6 COURSE (FUZZY, BLANKET, WOOL, LIGHT, HEAVY, ECONOMY)				
6	WATER CONSUMPTION	250 L				
7	WATER LEVEL SELECTOR	HIGH	97 L			
		MEDIUM	77 L			
		LOW	66 L			
		ELOW	42L			
8	OPERATING WATER PRESSURE	0.3kgf/cm ² ~8kgf/cm ² (2.94 N/cm ² ~78.4N/cm ²)				
9	REVOLUTION PER MINUTE	50Hz	WASH : 125 - 140 RPM, SPIN : 640 - 675 RPM			
		60Hz	WASH : 130 - 150 RPM, SPIN : 710 -740 RPM			
10	PULSATOR	6 WINGS (Ø406mm)				
11	WATER LEVEL CONTROL	ELECTRONICAL SENSOR				
12	GEAR MECHANISM ASS'Y	HELICAL GEAR				
13	LINT FILTER	O				
14	SOFTENER INLET	O				
15	FUNCTION FOR SOAK WASH	*	O			
16	ALARM SIGNAL	O				
17	RESIDUAL TIME DISPLAY	O				
18	AUTO. WATER SUPPLY	O				
19	FUNCTION FOR BUBBLE AND RADICAL	O				
20	AUTO RE-FEED WATER	O				
21	AUTO POWER OFF	O				

* : POUR DIRECTLY INTO TUB AFTER FINAL RINSE.

(V) : INVERTER FUNCTION



NOTES

In case of moving Washing Machine, please follow the following picture.

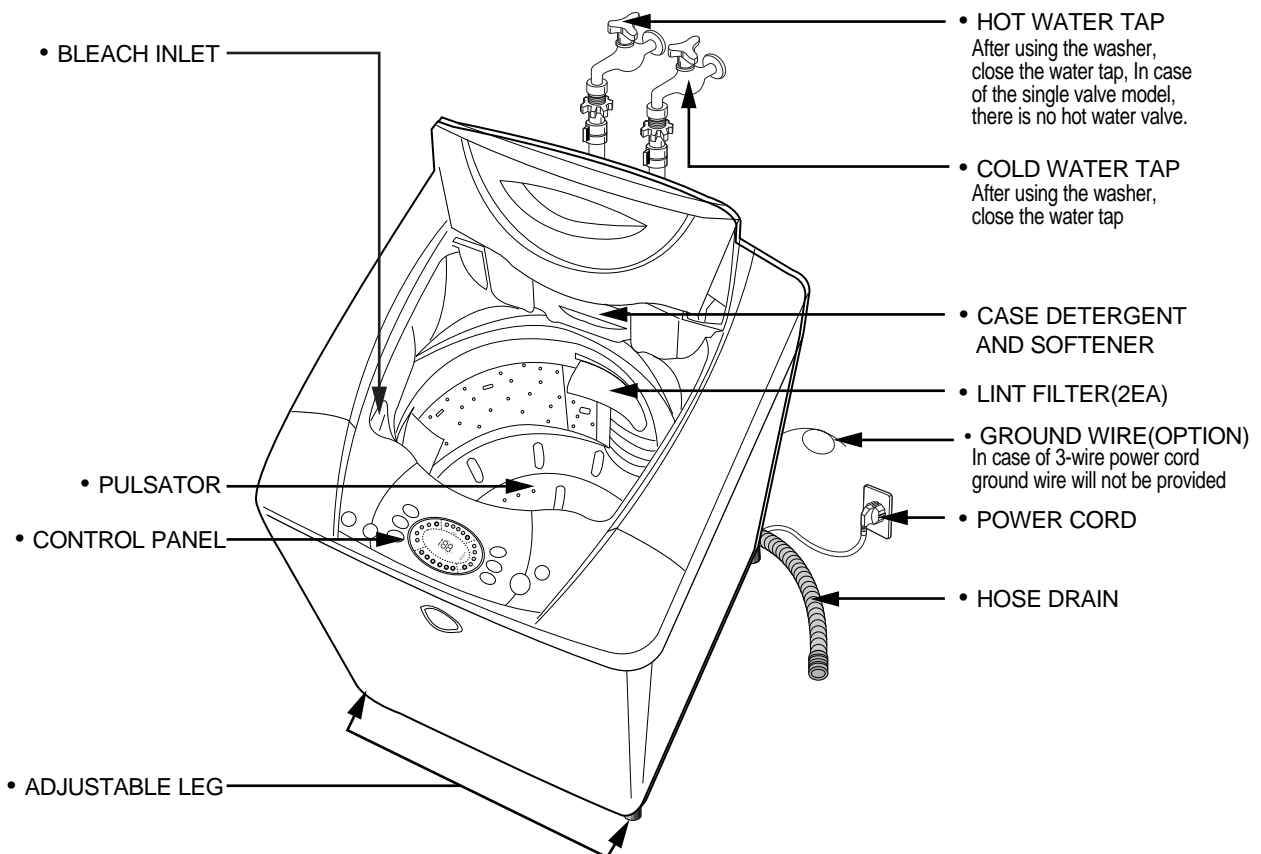


2. STRUCTURE OF THE WASHING MACHINE


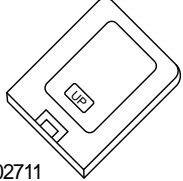
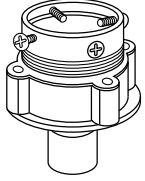
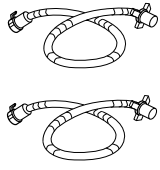
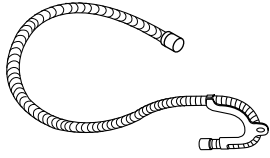
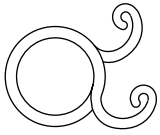
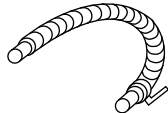
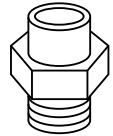
The parts and features of your washer are illustrated on this page.
Become familiar with all parts and features before using your washer.

NOTE

- The drawing in this book may vary from your washer model. They are designed to show the different features of all models covered by this book, Your model may not include all features.



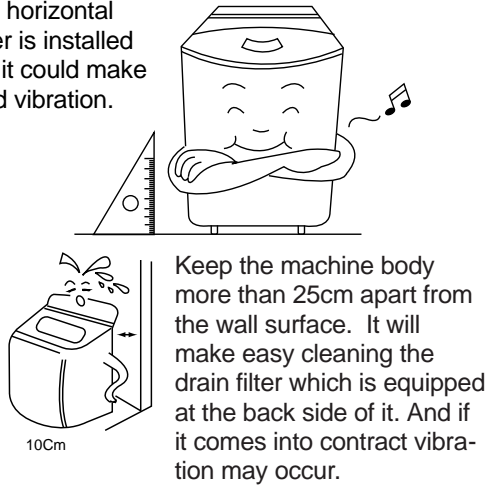
Accessories

DRYTEN [OPTION]	COVER UNDER [OPTION]	WATER TAP ADAPTER	INLET HOSE
	 3611402711		
HOSE DRAIN [FOR PUMP]	HOSE DRAIN CLAMP	HOSE DRAIN [FOR NONPUMP]	CONNECTOR INLET [OPTION]
 361321880		 3613213500	

3. DIRECTIONS FOR INSTALLATION AND USE

Installation Place

Install the washer on a horizontal solid floor. If the washer is installed on an unsuitable floor, it could make considerable noise and vibration.

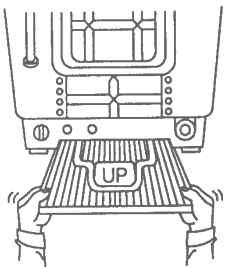


Never install in these places

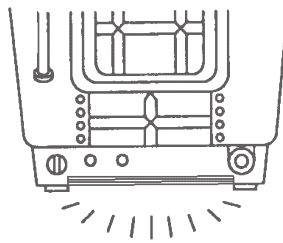
- The place where it would be exposed to direct sunlight.
- The place nearby a heater or heat appliance.
- The place where it would be supposed to be frozen in winter.
- The kitchen with coal gas and a damp place like a bathroom.

Installation Of The Under Base Cover [Option]

- 1** The packing box opened, there is a noise insulation plate at the bottom of the back



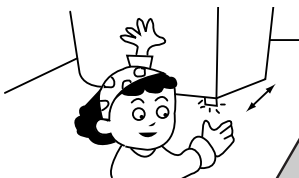
- 2** Push the noise insulation plate into the end, which decrease the noise made by this washer.



How To Install On An Inclined Place

1 Horizon Setting

After controlling the height by turning the adjustable leg, let the washer put down to the ground.



2 Check the Horizon Status

Check the position of tub above the center of the washer.



NOTES

The openings must not be obstructed by carpeting when the washing machine is installed on a carpeted floor.

■ How to Connect the Inlet Hose

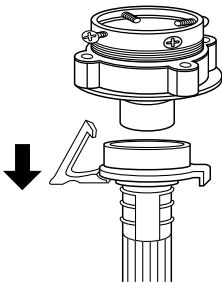
Be careful not to mistake in supplying between the hot(maximum : 50°C) and cold water.

In using only one water tap or in case of attached one water inlet valve, connect the inlet hose to the cold water inlet valve.

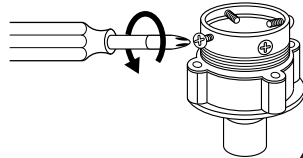
Do not over tighten : this could cause damage to couplings.

•••• FOR ORDINARY TAP

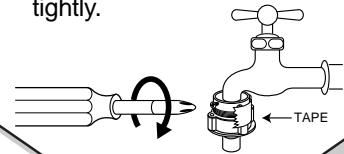
- 1** Pull down the collar of the inlet hose to separate it from the water tap adapter.



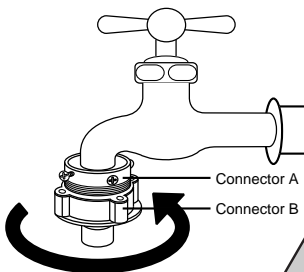
- 2** Loosen the four screws at the water tap adapter, but don't loosen the screws until they are separated from the water tap adapter.



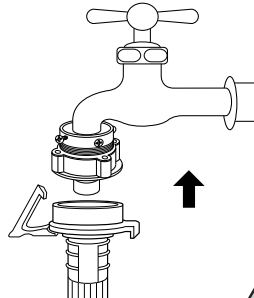
- 3** Connect the water tap adapter to the water tap tighten the four screws evenly while pushing up the adapter so that the rubber packing can stick to the water tap tightly.



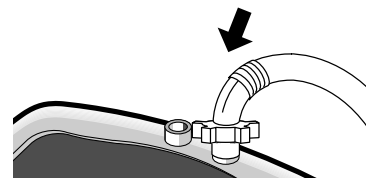
- 4** Remove the tape, and screw connector B into connect A tightly.



- 5** Connect the inlet hose to the water tap adapter by pulling down the collar of the hose end.



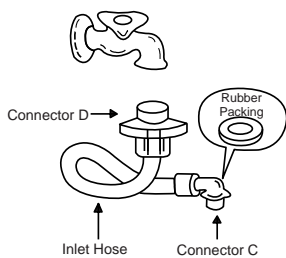
- 6** Connect the inlet hose adapter of the hose to the water inlet of the washer by turning it clockwise to be fixed tightly.



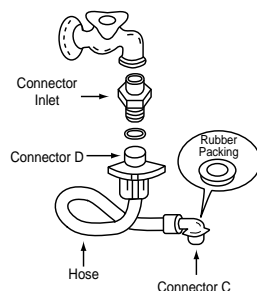
- Please check the rubber packing inside the inlet hose adapter of the hose.

•••• FOR SCREW-SHAPED TAP

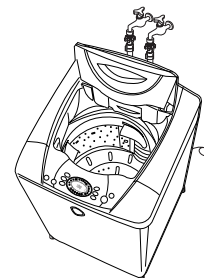
- 1** Connect the inlet hose to the water tap by screwing the connector D tightly.



- 2** Connect the connector-inlet supplied if necessary.



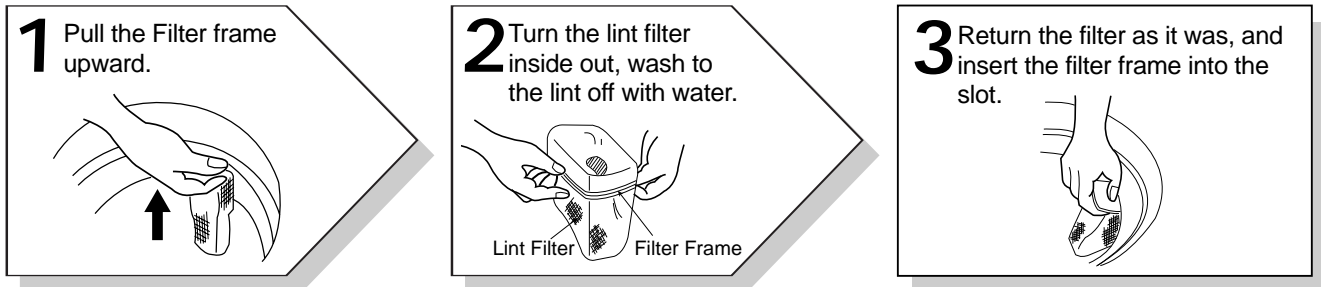
- 3** Insert the inlet hose adapter into the water inlet of a washer and turn it to be fixed.



- Check the packing in the inlet

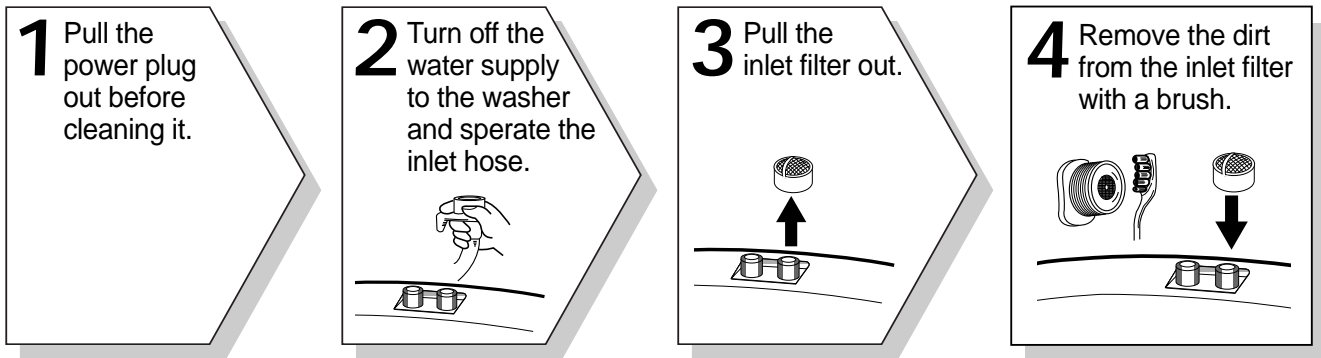
■ How To Clean The Filter

•••• CLEANING THE LINT FILTER



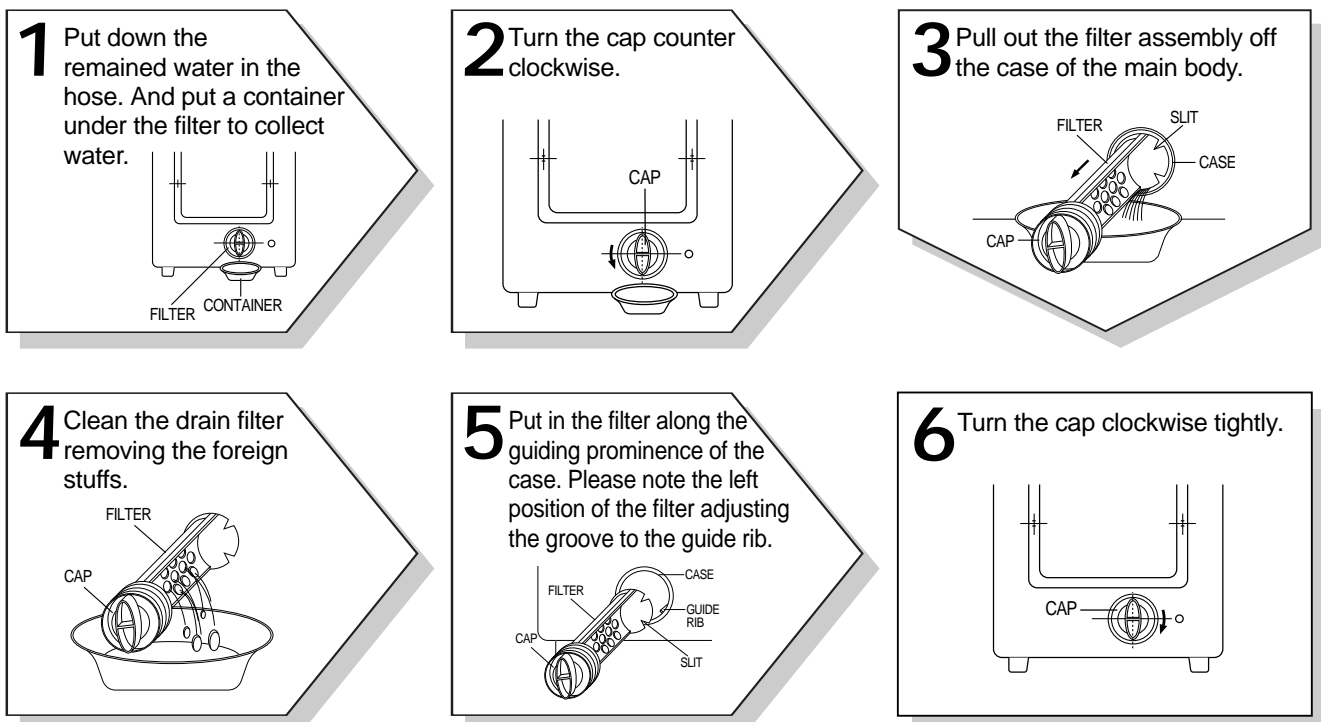
•••• CLEANING THE WATER INLET FILTER

- Clean the filter when water leaks from, the water inlet.



•••• CLEANING THE DRAIN FILTER

- In case "U" shape drain hose, this filter's equipped at the back side of washer.
- This drain filter is to screen the foreign stuffs such as threads, coins, pins, buttons etc ...
- If the drain filter is not cleaned at proper time (every 10 times of use), Drain problem could be caused.



4. FEATURE AND TECHNICAL EXPLANATION

Feature of the Washing Machine

- ① First applying the Radical Technology in the world ... go beyond washing, sterilize your colthes and deodorize a bad smell.
- ② The first air bubble washing system in the world.
- ③ Quiet washing through the innovational low-noise design.
- ④ Improving washing performance by more than 35%, while reducing power consumption by 40%.
- ⑤ The laundry detergent dissolves well in water because of the air bubble washing system.
- ⑥ The adoption of the water currents to adjust the unbalanced load.
- ⑦ One-touch operation system.

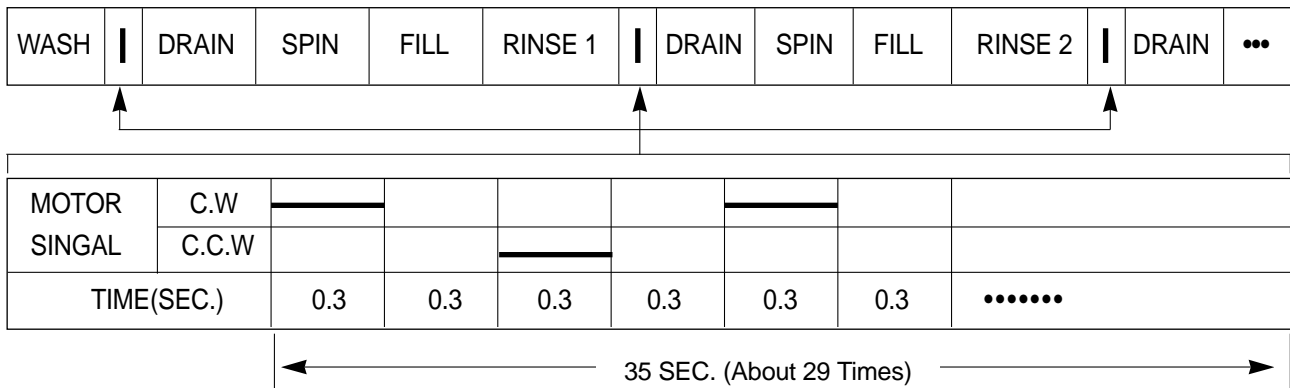
Water Current to Adjust the Unbalanced Load

It is a function to prevent eccentricity of the clothes after wash by rotating pulsator C.W and C.C.W for 35 seconds.(But, the SUIT course have no operation of the water currents to adjust the unbalanced load.)

EFFECT

It reduces vibration and noise effectively while spinning.

WATER FLOW

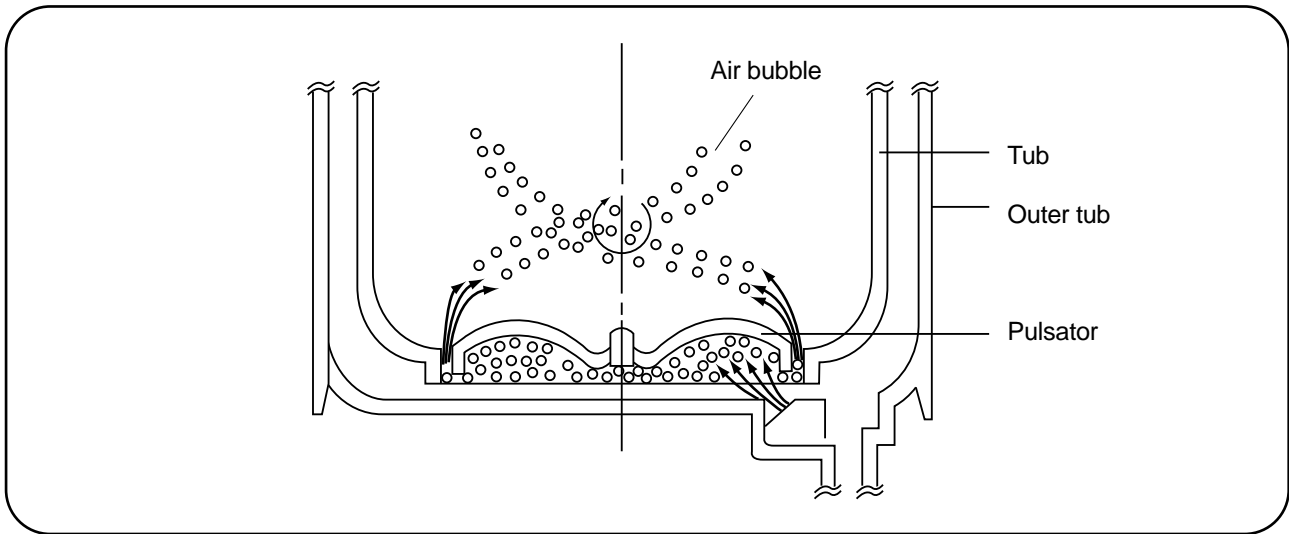


Automatic Water Supply System For Blanket Wash

The water level would be lowered because the blanket absorbs water at the beginning of washing. Therefore, after 2 minutes, the operation is interrupted to check the water level, and then the water is supplied again until the selected water level is reached.

Functional Principle of Bubble Washing Machine

ACROSS SECTION



FUNCTIONAL PRINCIPLE

Bubble Motor supplies the air from the bottom of outer tub to the inner space of pulsator, the air is dispersed by the rotation of pulsator. Air-bubble is created by the centrifugal force, and rises up.

Automatic Draining time Adjustment

This system adjusts the draining time automatically according to the draining condition.

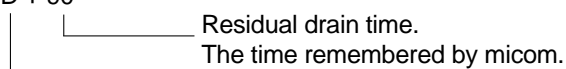
Draining condition	Good draining	The washer begins spin process after drainage.
	Bad draining	Draining time is prolonged.
	No draining	Program is stopped and gives the alarm.

FUNCTIONAL PRINCIPLE

- The micom can remember the time from the beginning of drain to reset point when the pressure switch reaches to "OFF" point

Drain Time	Movement of the Program
Less than 15 minutes	Continue draining
More than 15 minutes	Program stops and gives the alarm with OE blinked on display lamp.

- In case of continuous draining, residual drain time is determined by micom.
Draining time as a whole = D + 90

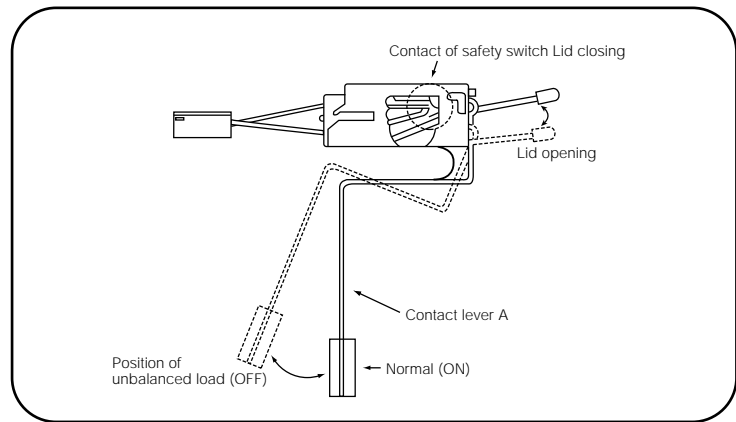


Automatic Unbalance Adjustment

This system is to prevent abnormal vibration during intermittent spin and spin process.

FUNCTIONAL PRINCIPLE

- ① When the lid is closed, the safety switch contact is "ON" position.
- ② In case that wash loads get uneven during spin, the outer tub hits the safety switch due to the serious vibration, and the spin process is interrupted.
- ③ In case that P.C.B. ASS'Y gets "OFF" signal from the safety switch, spin process are stopped and rinse process is started automatically by P.C.B. ASS'Y.
- ④ If the safety switch is operated due to the unbalance of the tub, the program is stopped and the alarm is given.



NOTES

The alarm finished when you close the lid after opening it. Check the unbalance of the wash load and the installation condition.

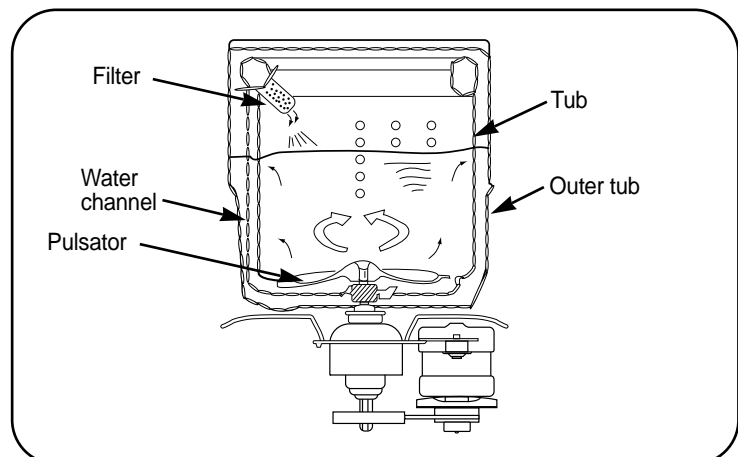
Circulating-Water Course and Lint Filter

CIRCULATING-WATER

The washing and rinsing effects have been improved by adopting the water system in which water in the tub is circulated in a designed pattern.

When the pulsator rotates during the washing or rinsing process, the water below the pulsator fans creates a water currents as shown in figure.

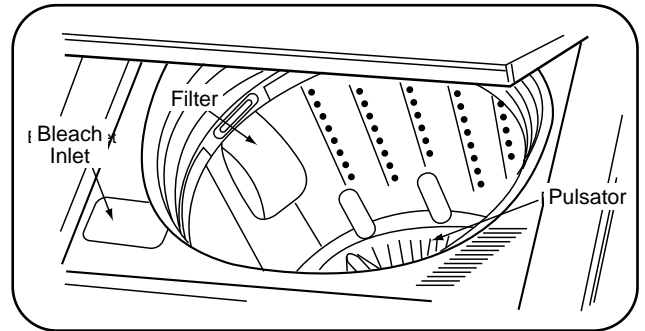
The water is then discharged from the upper part of the tub through the water channel. About 40 L/min. water is circulated at the 'high' water level, standard wash load and standard water currents.



Lint Filter

Much lint may be obtained according to the kind of clothes to be washed and some of the lint may also sticks to the clothes.

To minimize this possibility a lint filter is provided on the upper part of the tub to filter the wash water as it is discharged from the water channel. It is good to use the lint filter during washing.




HOW TO REPLACE LINT FILTER

- ① Pull the filter frame upward.
- ② Turn the lint filter inside out, and wash the lint off with water.
- ③ Return the filter as it was, and fix the filter frame to the slot.

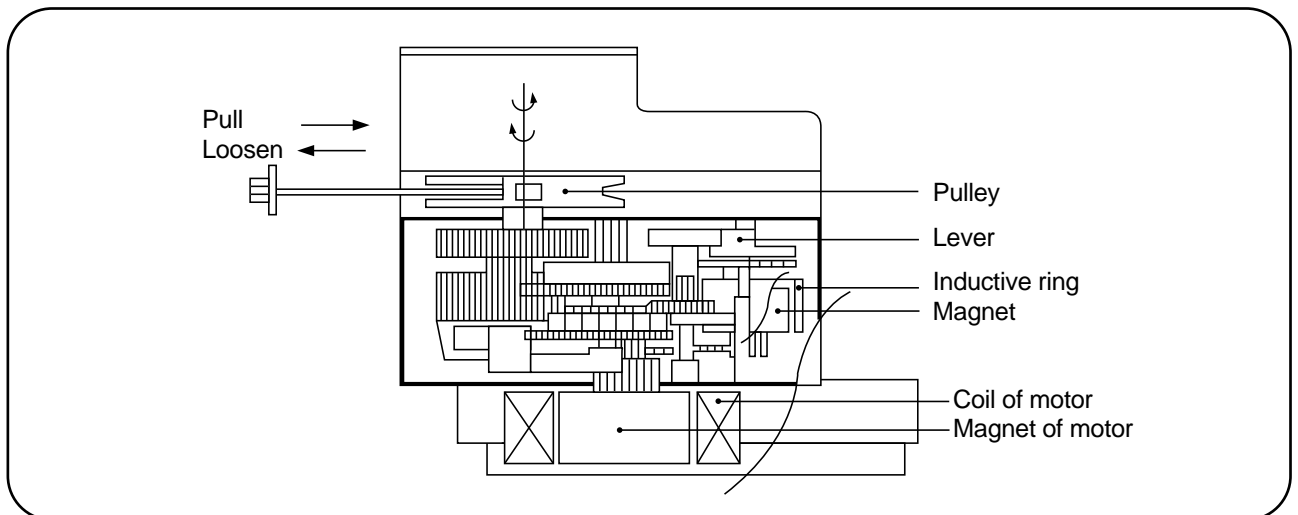
Residual Time Display

When the START/HOLD button is pressed, the residual time (min.) is displayed on the time indicator, and it will be counted down according to process.

When operation is finished, the TIME INDICATOR will light up .

Drain Motor

STRUCTURE

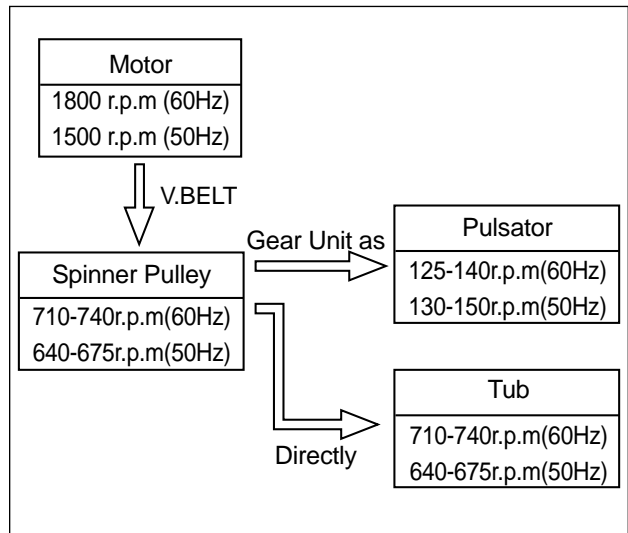
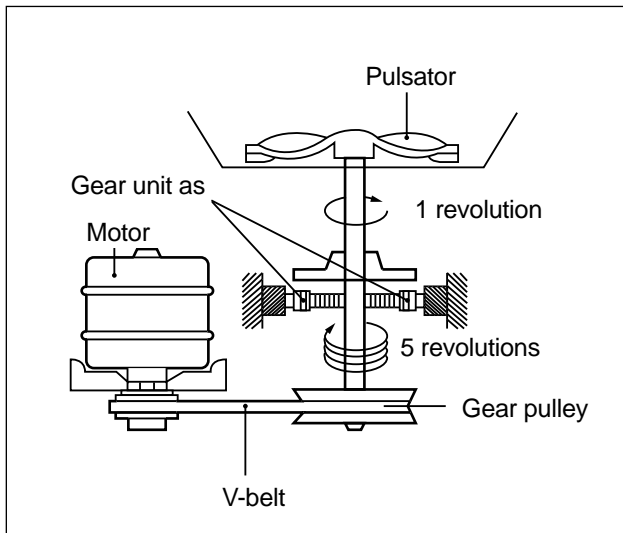
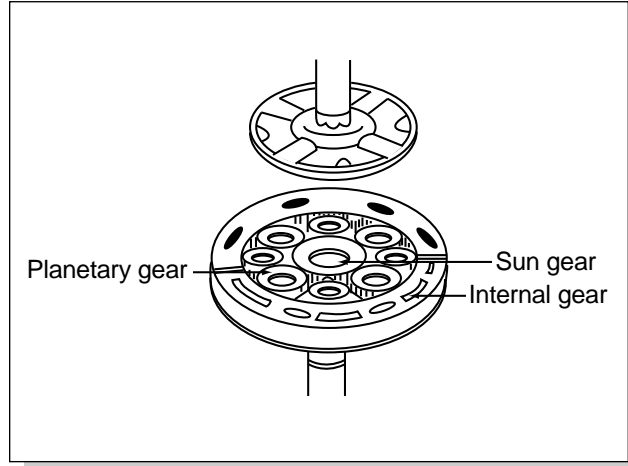
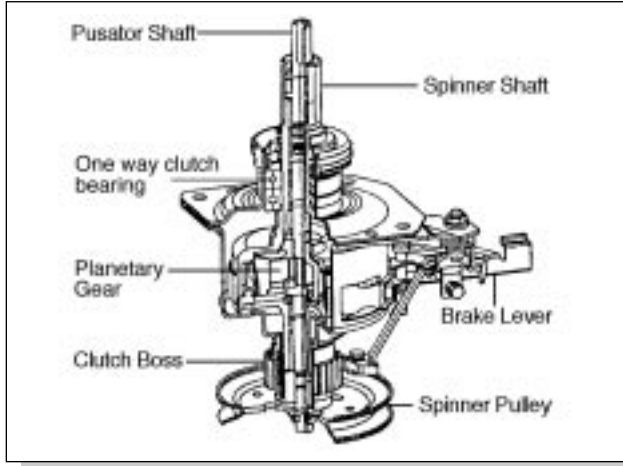


FUNCTIONAL PRINCIPLE

- ① When the DRAIN MOTOR connected to the power source, the DRAIN MOTOR rotates with 900 r.p.m and revolves the pulley by gear assembly for reducing.
- ② When the pulley is rotated, the pulley winds the wire to open the drain valve.
- ③ Therefore, rotation of pulley changed to the linear moving of wire.
- ④ The wire pulls the brake lever of Gear Mechanism Ass'y within 5 seconds.
- ⑤ After the wire pulled, gear assembly is separated from motor and condition of pulling is held by operation of the lever.
- ⑥ When the power is turned off, the drain valve is closed because the wire returns to original position.







Gear Mechanism Ass'y

The proper water currents is made by the rotation of pulsator at a low speed to prevent the damage to the small sized clothes.



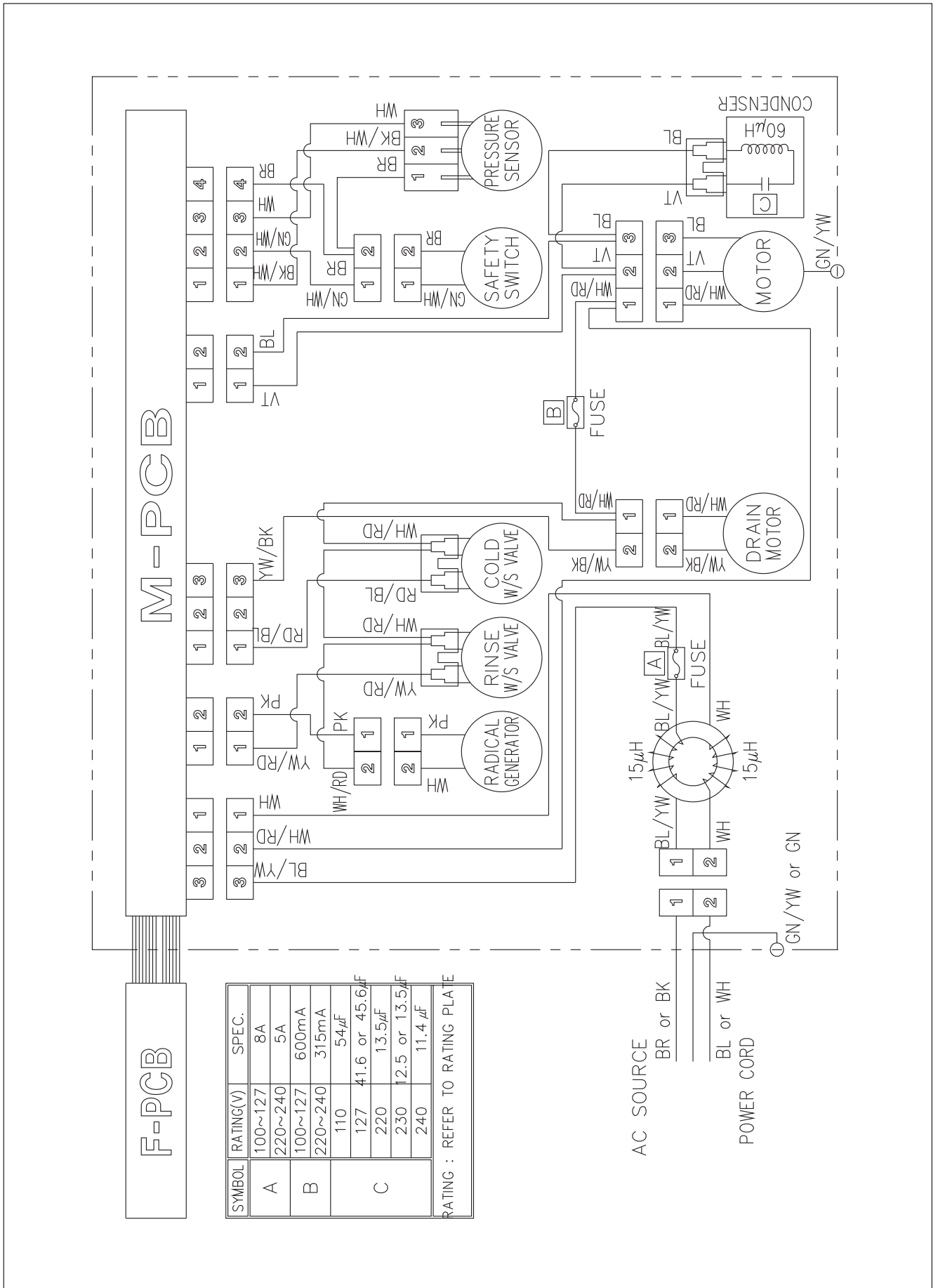
8. PRESENTATION OF THE P.C.B ASS'Y

Concerning Error Message

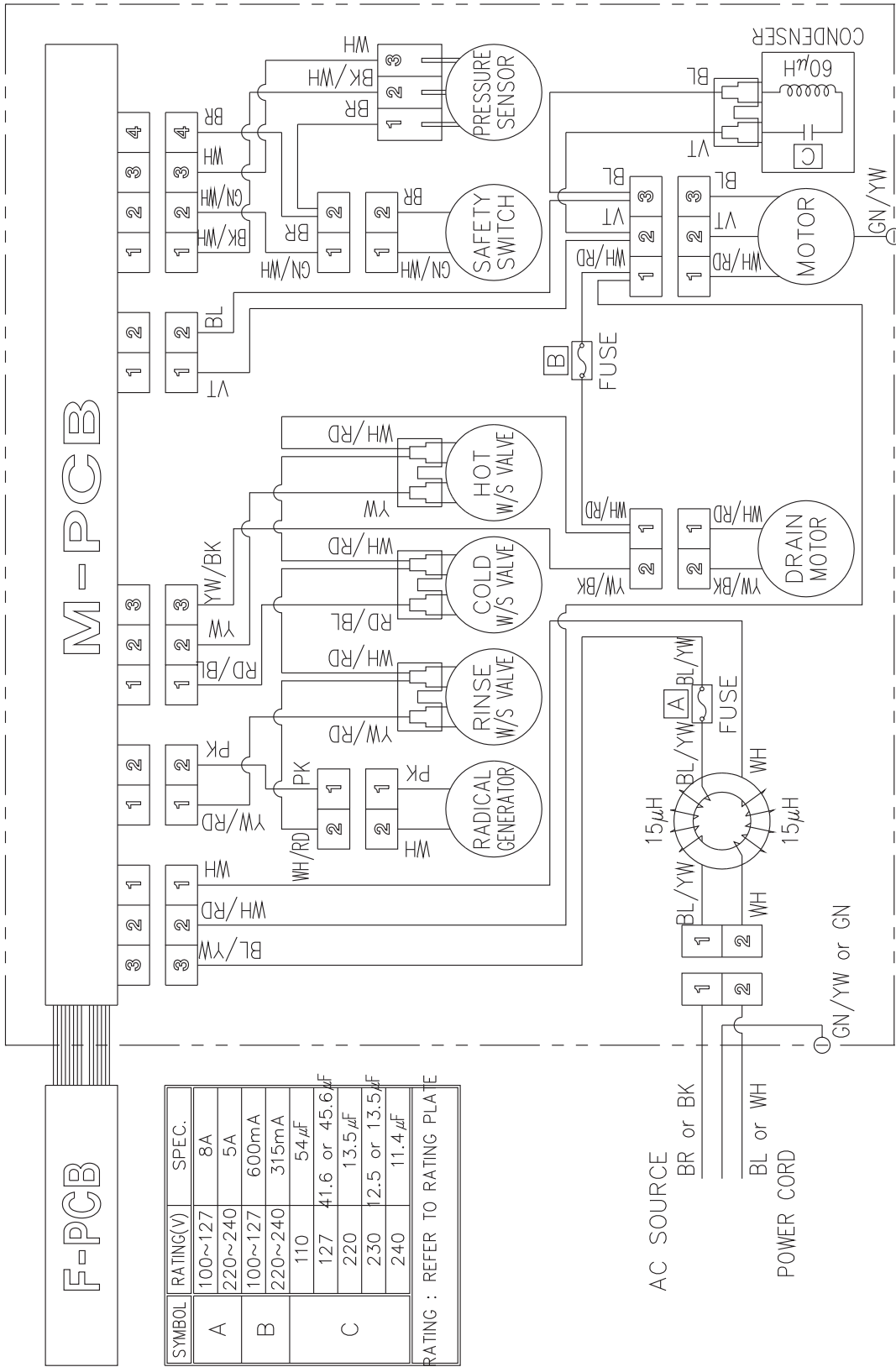
MESSAGE	CAUSE	SOLUTION
	Improper installation of drain hose.	Install drain hose properly.
	The drain hose is blocked up by foreign matter.	Remove foreign matter from drain hose.
	Drain motor is inferior.	Change drain motor.
	The water tap is closed.	Open the water tap.
	The water inlet filter clogged.	Clean the water inlet filter.
	It passes over the 60 minutes, yet it doesn't come to assigned water level.	Check whether or not it comes to the assigned water level.
	Wash loads get uneven during spin.	Re-set wash loads evenly.
	Poor installation of the unit.	Proper installation.
	The lid is opened.	Close the lid.
	The safety switch is inferior.	Change the safety switch.
	The load sensing is inferior. After the load sensing operates about 7 seconds, the message is displayed during 0.5 second and water level is always fixed 'high'.	Change the P.C.B. ASS'Y.
	The water level sensing is inferior.	Check the water level sensor and the contact part of the connector.

APPENDIX

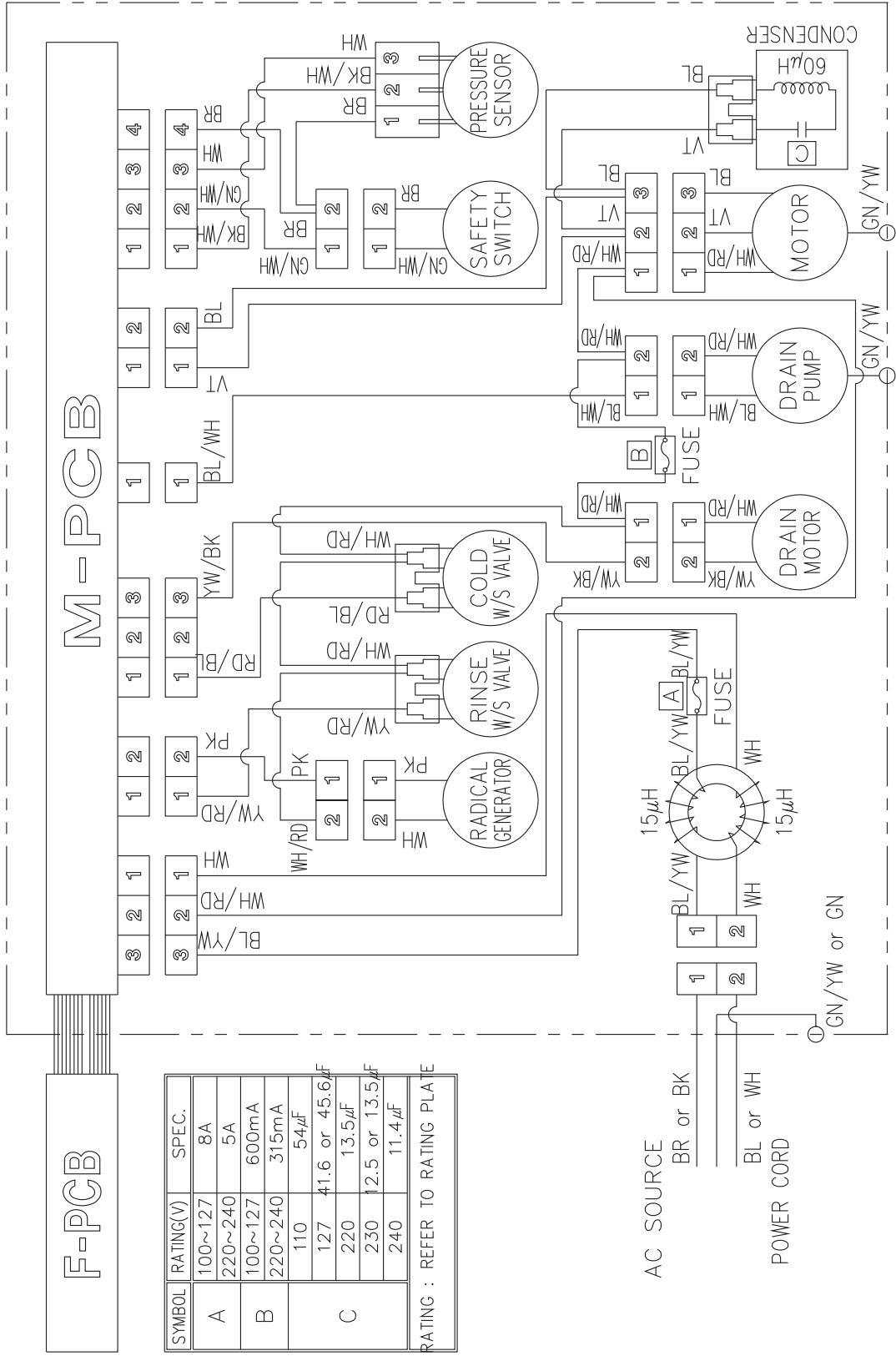
■ Wiring Diagram [non Pump, Single Valve]



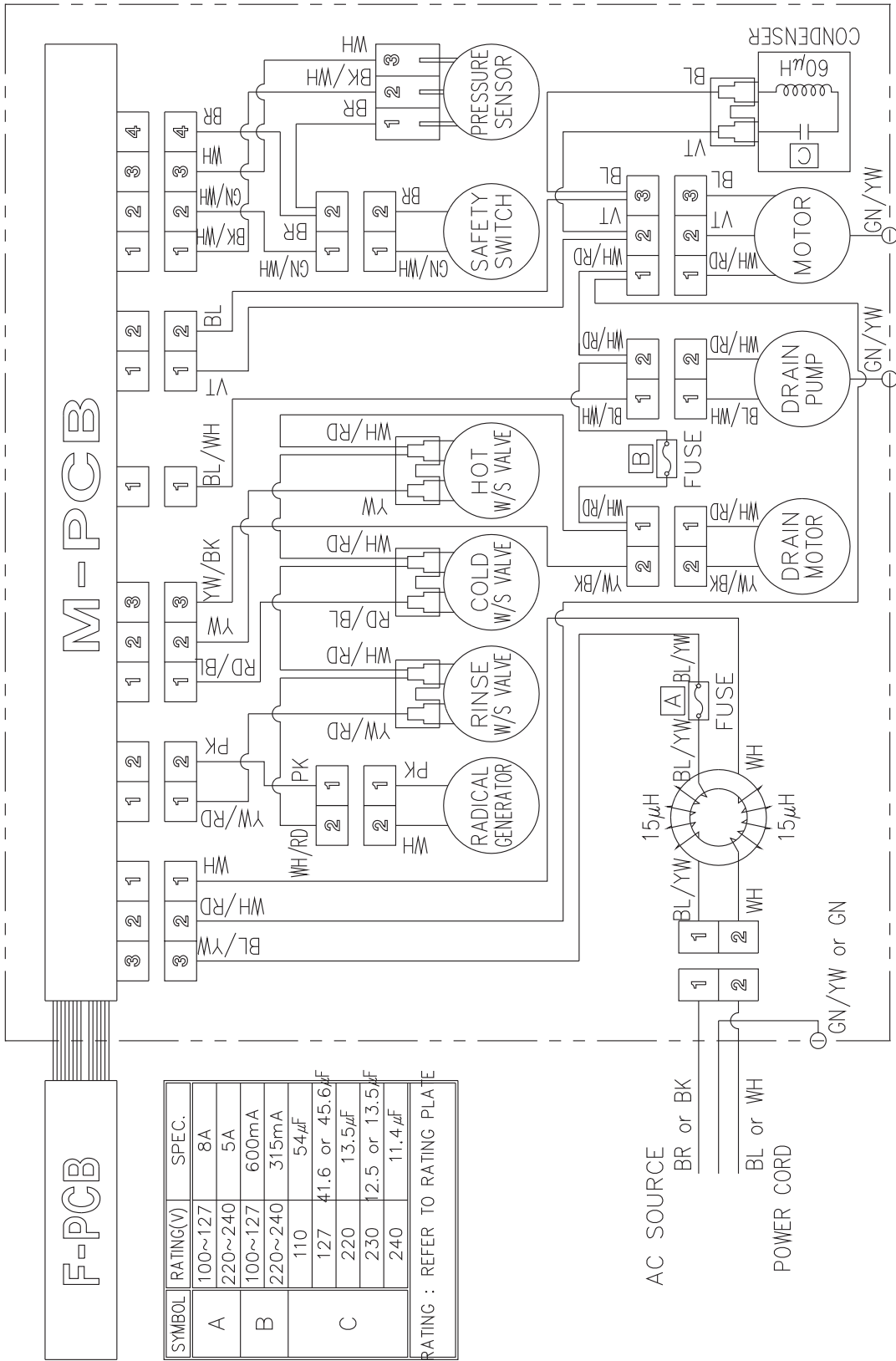
■ [Non-Pump, Multi Valve]



■ [Pump, Single Valve]



■ [Mul ti Val ve]



SYMBOL	RATING(V)	SPEC.
A	100~127	8A
	220~240	5A
B	100~127	600mA
	220~240	315mA
C	110	54μF
	127	41.6 or 45.6μF
	220	13.5μF
	230	12.5 or 13.5μF
	240	11.4μF

* RATING : REFER TO RATING PLATE

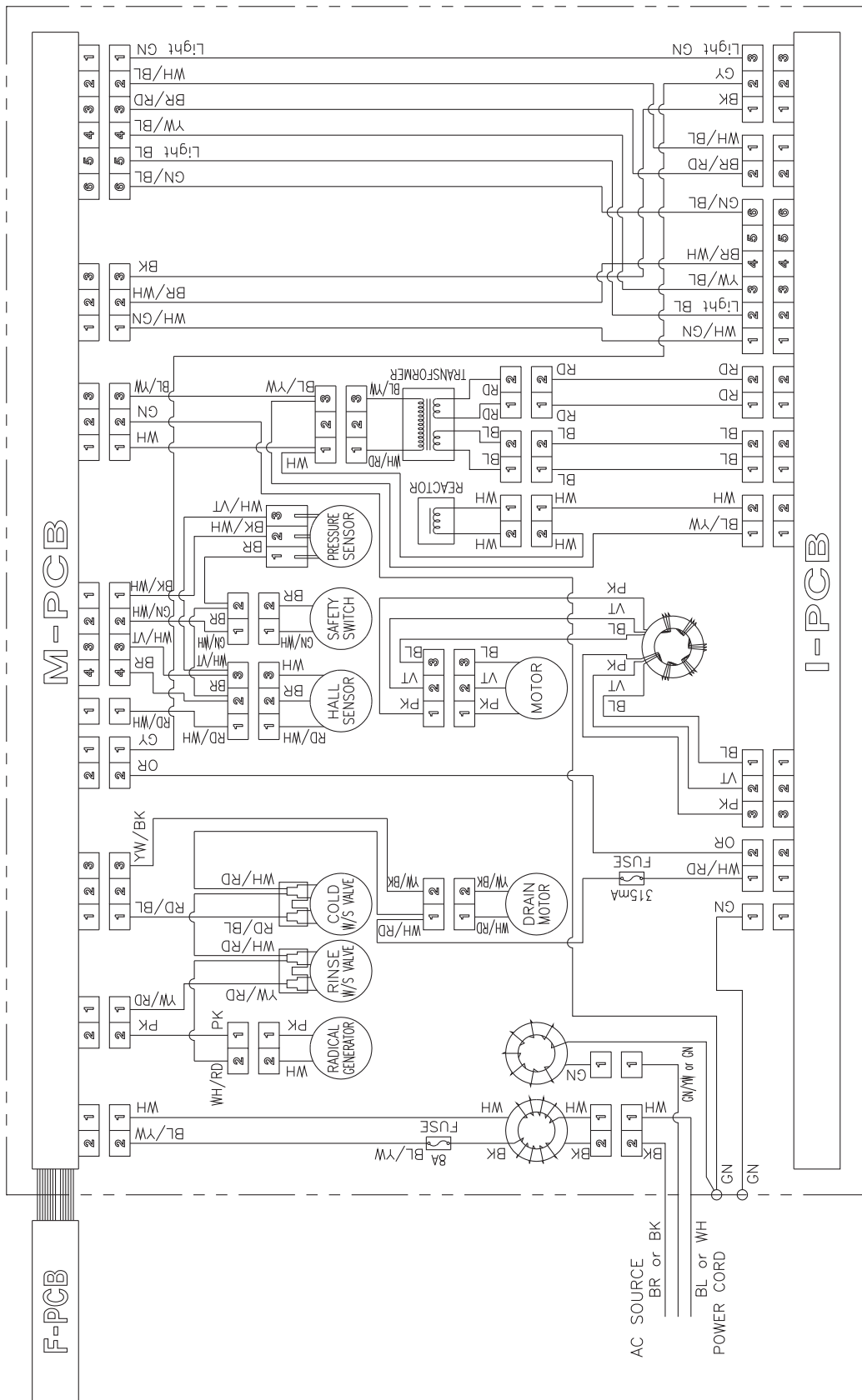
AC SOURCE

BR or BK

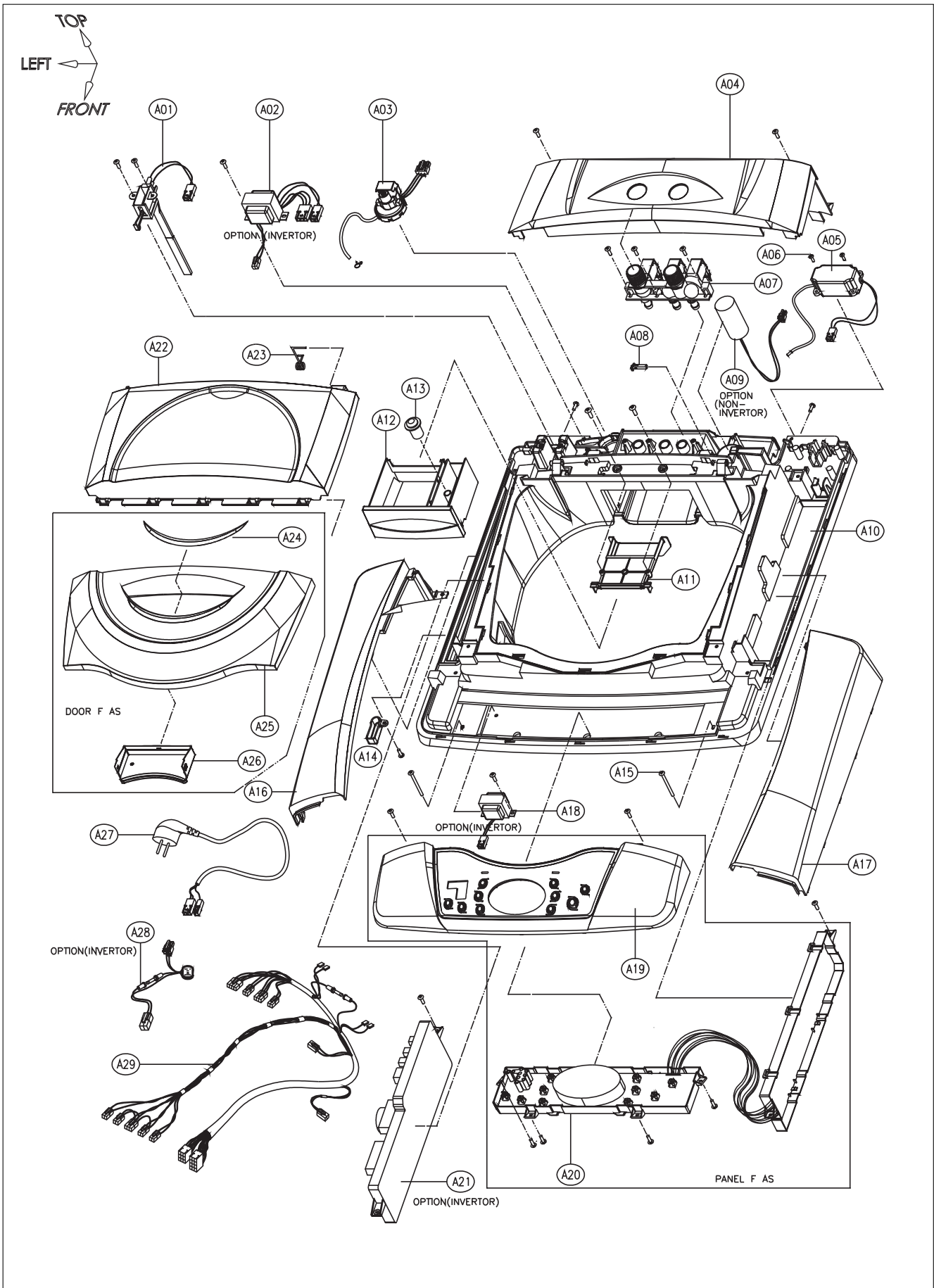
BL or WH

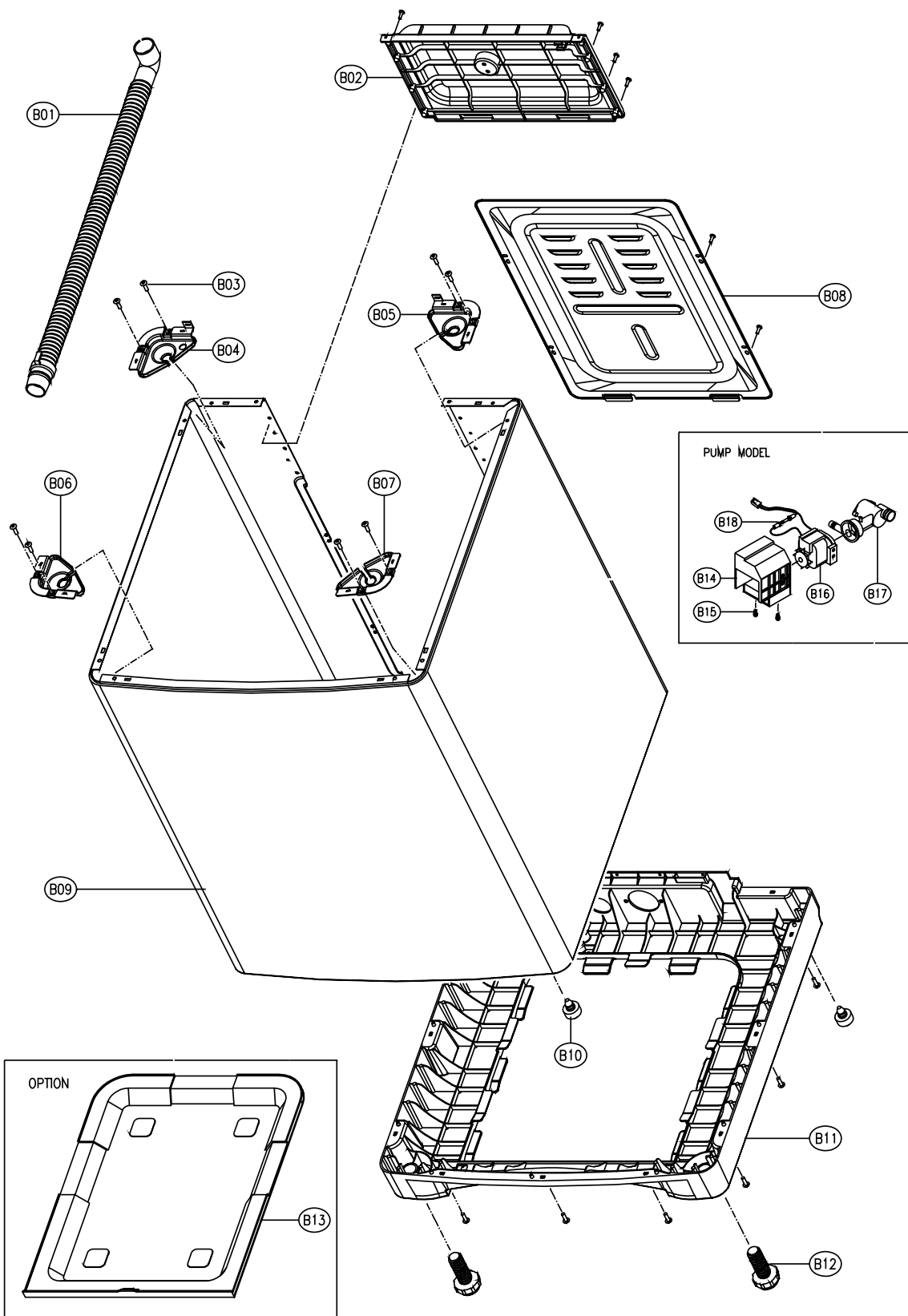
POWER CORD

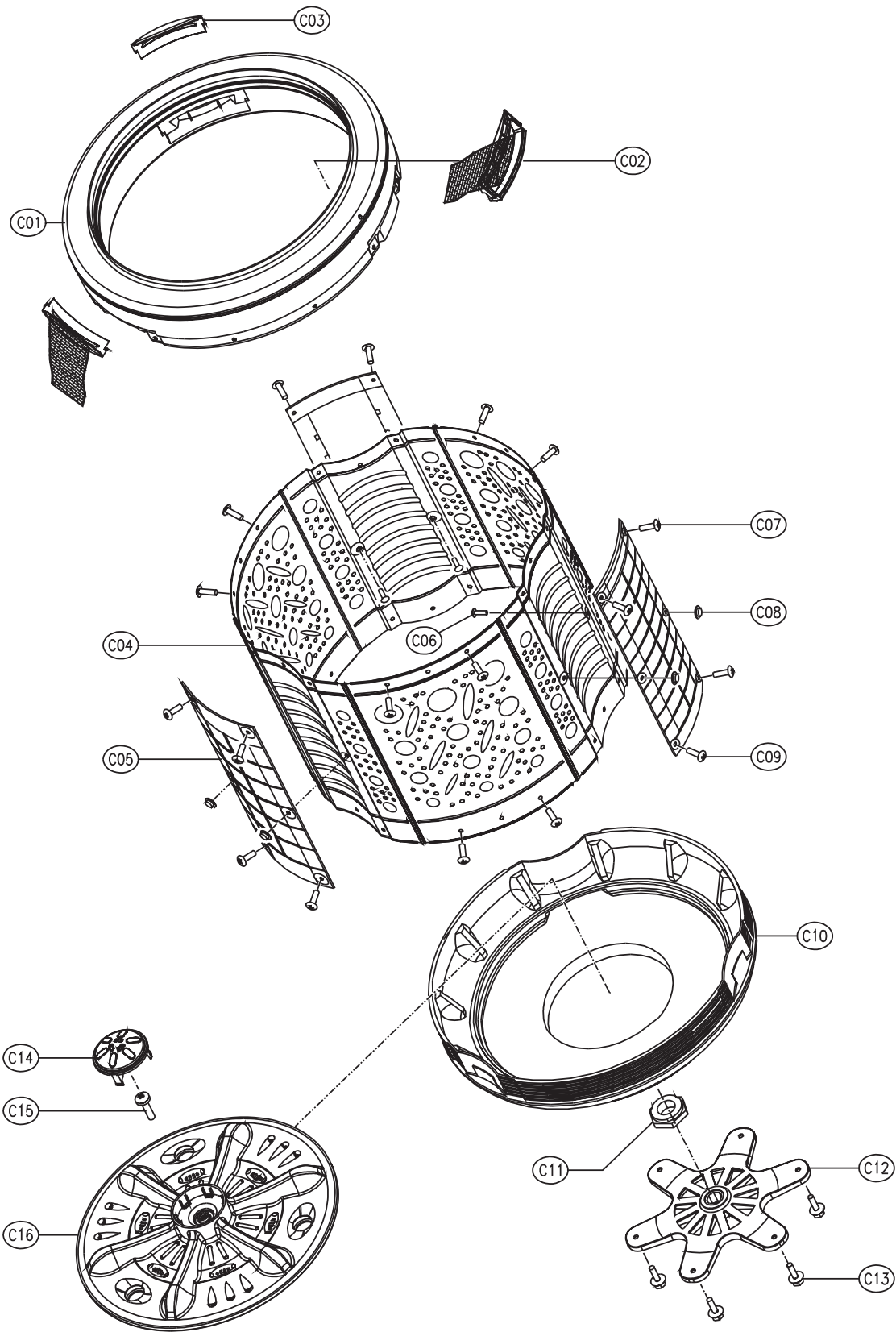
■ [Inverter, Single Valve]

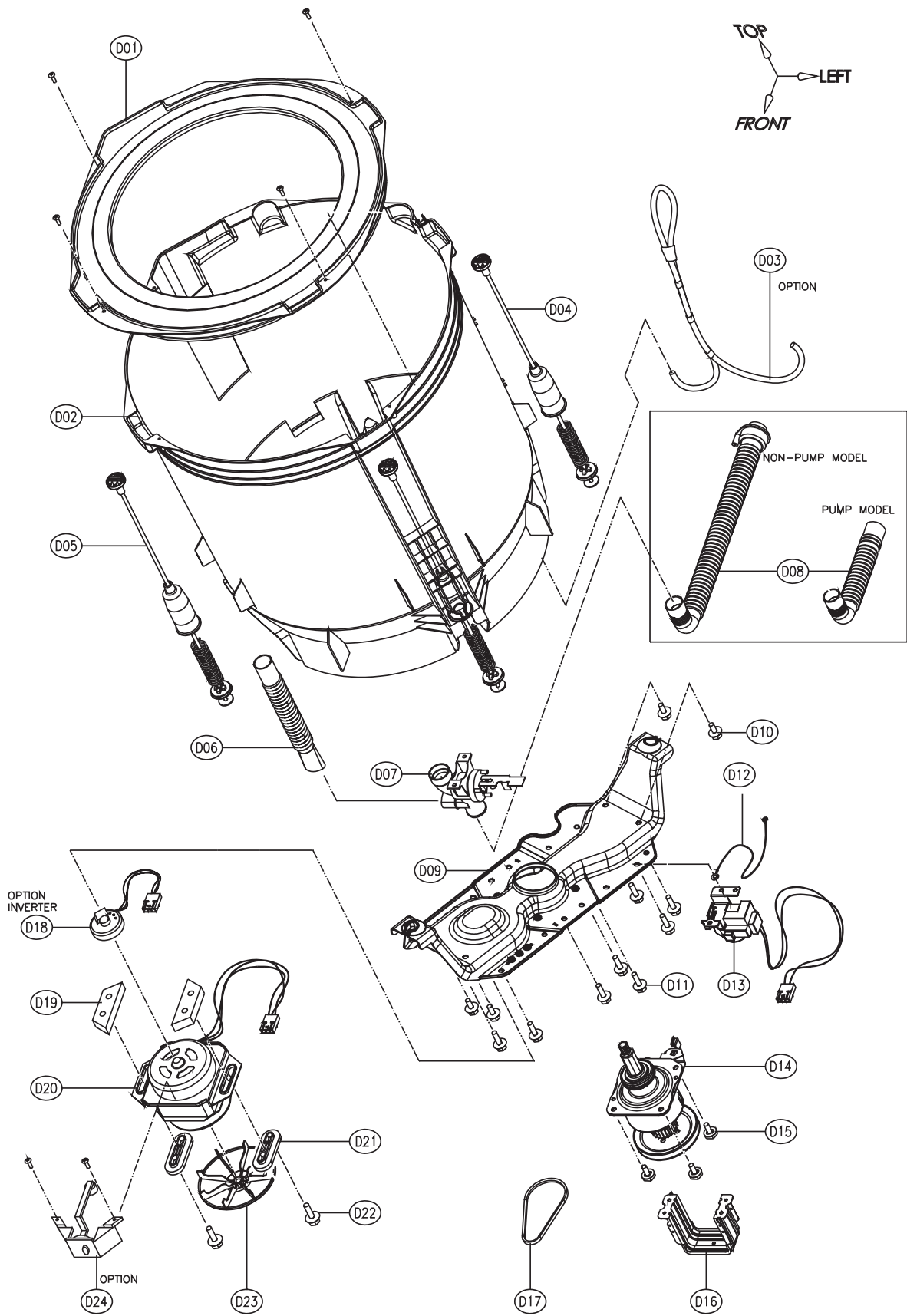


Parts Diagram









■ Parts List

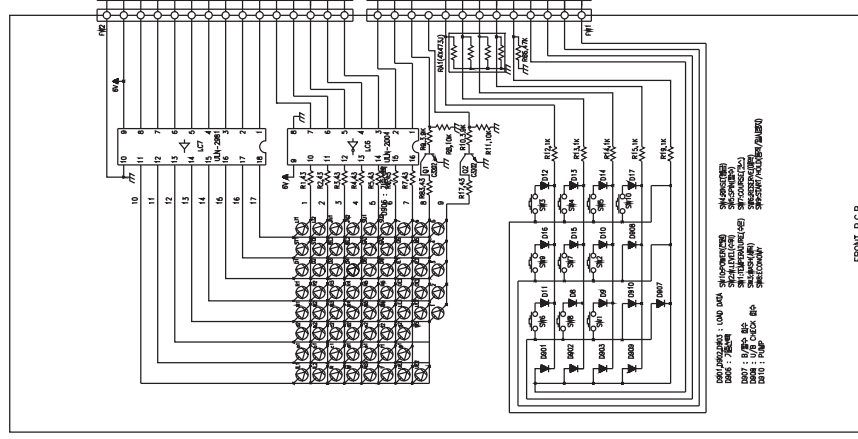
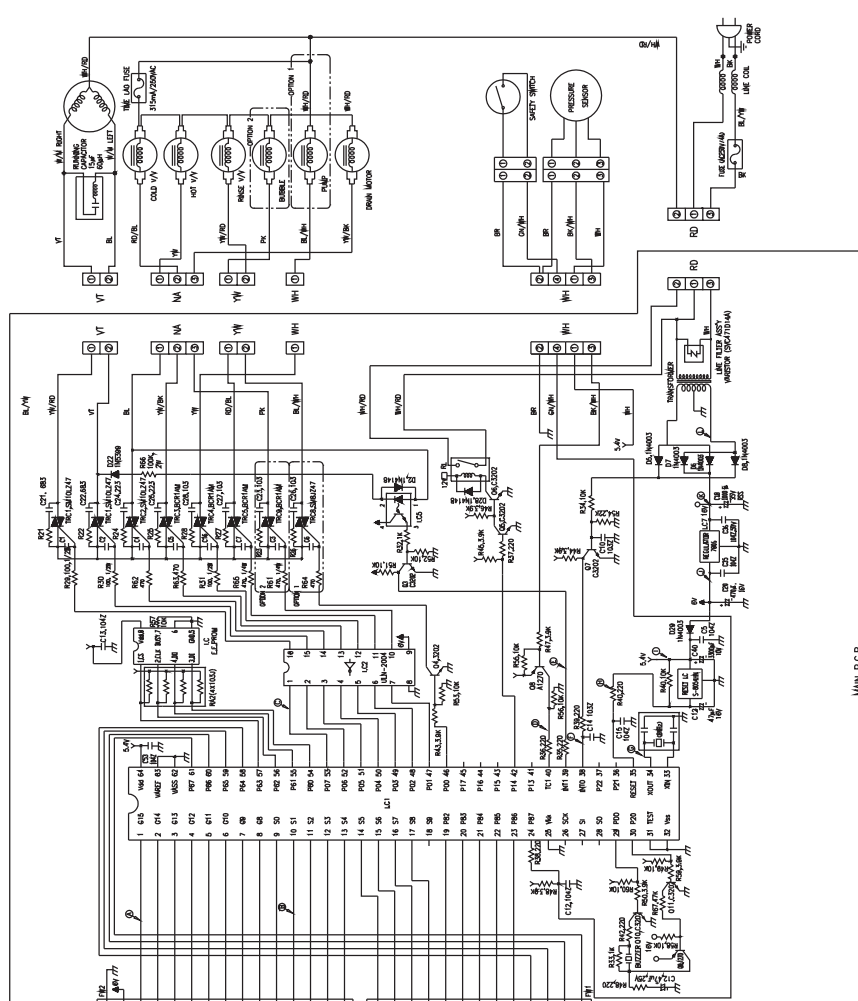
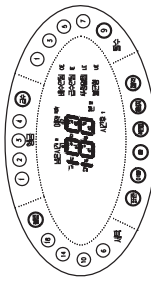
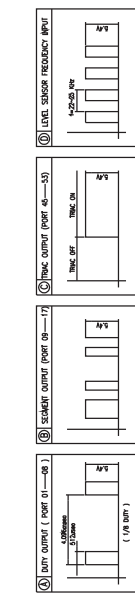
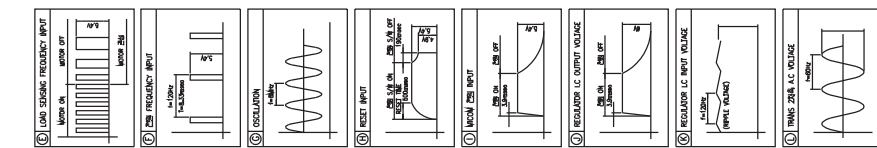
NO.	PARTS CODE	PARTS NAME	DESCRIPTION	Q'TY	REMARK
A01	3619044110	SWITCH SAFETY	DWF-1098 CUSH=18MM	1	
A02	5EP1048050	TRANS POWER	T11-V2F	1	INVERTOR
A03	3614801600	SENSOR PRESSURE	90•İİ,CDN-D7N,CUS-D7	1	
A04	3614232101	PANEL REAR	ABS	1	UV COATING
	3614232160		ABS, UV_BASE		
A05	3610017100	RADICAL GENERATOR	220/60, DRG-220	1	
	3610019800		110/60, DRG-110		
	3610018400		220/50, DRG-230		
A06	3616007400	SPECIAL SCREW	T2S TRS 4X10+24	2	FOR RADICAL
A07	3615407100	VALVE INLET AS	AC 220V/60HZ, C&H&R	1	
	3615407110		AC 100V/50,60HZ, C&H&R		
	3615407120		AC 110V/60HZ, C&H&R		
	3615407130		AC 220V/50HZ, C&H&R		
	3615407140		AC 100V/50,60HZ, C&R		
	3615407150		AC 110V/60HZ, C&R		
	3615407160		AC 220V/60HZ, C&R		
	3615407170		AC 220V/50HZ, C&R		
A08	3612902400	HINGE DOOR	POLYACETAL	1	
A09	3618911400	UNIT CAPACITOR	13.5•İF, 400VAC, AL-CAN	1	220/230V
	3618912400		54•İF, 400VAC, AL-CAN		110V
	3618911200		11.4•İF, 400VAC, AL-CAN		240V
	3618911800		41.6•İF, 230VAC, CAN TYPE		127V
A10	3614519900	PLATE T	PP, COLD&HOT&RINSE	1	DOUBLE VALVE
	3614519910		PP, COLD&RINSE		SINGLE VALVE
A11	3618102300	NOZZLE DETERGENT	PP	1	
A12	3611121200	CASE DETERGENT	ABS, RINSE	1	
A13	3610911400	CAP SOFTENER	PP	1	
A14	3617504000	INLET BLEACH CONN.	PP	1	
A15	3610909900	SCREW TAPPING	T1S TRS 5X30 MFZN	2	FOR PLATE T
A16	3614231900	PANEL SIDE L	ABS	1	UV COATING
	3614231930		ABS, UV_BASE		
A17	3614232000	PANEL SIDE R	ABS	1	UV COATING
	3614232030		ABS, UV_BASE		
A18	52G043J000	REACTOR	4.2MH, 3.7A	1	
A19	3614233010	PANEL F	100M'S INMOLD	1	UV COATING
	3614233060		100M'S UV+INMOLD		
A20	PRPSSWZ300	PCB AS	2WAY	1	DOUBLE VALVE
	PRPSSW1G00		1WAY		SINGLE VALVE
	PRPSSW1H00		PUMP		PUMP
	PRPSSW1A00	PCB AS(MAIN)	DWF-100MV(MAIN)		INVERTER
A21	PRPSSW1B00	PCB AS(SUB)	DWF-100MV(SUB)	1	INVERTER

NO.	PARTS CODE	PARTS NAME	DESCRIPTION	Q'TY	REMARK
A22	3611796700	DOOR B	ABS	1	UV COATING
	3611796720		ABS, TRANSPARENCY		
	3611796740		ABS, UV_BASE		
A23	3615111200	SPRING DOOR	SUS 304	1	
A24	3612604600	CAP DOOR	ABS	1	
A25	3611796600	DOOR F	ABS	1	UV COATING
	3611796620		ABS, TRANSPARENCY		
	3611796640		ABS, UV_BASE		
A26	3612604500	HANDLE DOOR	PP	1	
A27	3611305100	POWER CORD	3X0.75 2.3M	1	KOREA
	3611305500		A-VCTFK 2X0.75 2.3M GY		TAIWAN
	3611304610		N LFC-2R 3X0.75 2.3M GY		AUSTRALIA
	3611336650		F H05W 3X0.75 2.3M WH		CHILE
	3611304810		RW-300/500 3X0.75 2.3M		CHINA
	3611304910		VCTF 3X0.75 2.3M		INDIA
	3611305310		H05W-F 3X0.75 2.3M WH		MALAYSIA
	3611305410		H05W-F 3X0.75 2.3M BK		SINGAPORE
	3611305810		H05W-F 3X0.75 2.3M GY		SOUTH AFRIACA
	3611305610		F H05W 3X0.75 2.3M BK		USSR
	3611306030		H05W-F 3X0.75 2.3M GY		ARGENTINA
	3611302900		3X0.75 300X2 L=1800		KOREA(INVERTER)
	A28		3618957000		UNIT FUSE FILTER
A29	3612760800	HARNESS AS	220/240V 50/60HZ 2-WAY	1	DOUBLE VALVE
	3612760810		100/127V 50/60HZ 2-WAY		
	3612760820		220V/240V 50/60HZ 1-WAY		SINGLE VALVE
	3612760830		100/127V 50/60HZ 1-WAY		
	3612760840		220V/240V 50/60HZ PUMP	PUMP	
	3612760850		100/127V 50/60HZ PUMP		
	3612760900		DWF-101MI, INVERTER	1	INVERTER
B01	3613220210	HOSE DRAIN O AS	LDPE, L=1250MM	1	NON-PUMP
	3613217800	HOSE DRAIN O	PE-LD		PUMP
B02	3614514600	PLATE UPPER	PP	1	
B03	7112501411	SCREW TAPPING	T1 TRS 5X14 MFZN	8	
B04	3615302210	SUPPORTER TUB BL	SPG 1.4T	1	
B05	3615302310	SUPPORTER TUB BR	SPG 1.4T	1	
B06	3615302410	SUPPORTER TUB FR	SPG 1.4T	1	
B07	3615302510	SUPPORTER TUB FL	SPG 1.4T	1	
B08	3611413600	COVER BACK	SPG 0.5T	1	
B09	3618919900	CABINET	PCM ㄹ«¥¬ PAINTING	1	
B10	4509D10020	FOOT	BUTYL RUBBER	2	
B11	3610310200	BASE U	PP	1	
	3610312200		PP(1398)		
B12	3617702100	LEG ADJUST	SBR, PP	2	
B13	3611403710	COVER UNDER	PP	1	
B14	3611405320	COVER PUMP	PP(B360F)	1	
	3611405301		UL/CSZ(466FWU,HFH-400)		

NO.	PARTS CODE	PARTS NAME	DESCRIPTION	Q'TY	REMARK
B15	7112501611	SCREW TAPPING	T1 TRS 5X16 MFZN	2	
B16	3618957800	MOTOR SHADED POLE	AC 230~240V/50HZ	1	230~240V/50HZ
	3618957810		AC 220V/50HZ		220V/50HZ
	3618957820		AC 220V/60HZ		220V/60HZ
	3618957830		AC 110~127V/60HZ		110~127V/60HZ
B17	3611901530	FILTER AS	DWF-5591DPNF E-TYPE	1	
C01	3616105400	BALANCER AS	100'S, HIDDEN	1	
C02	3611904700	FILTER AS	100'S LINT FILTER AS	2	
C03	3612202900	FRAME FALL	PP	1	
C04	3618815300	TUB	SUS	1	
C05	3612507210	GUIDE FILTER	HIDDEN FILTER(SUS0.6T)	3	
C06	3616008600	SPECIAL BOLT	SUS, M5X10	6	FOR GUIDE FILTER
C07	4505E05050	SPECIAL SCREW	5.2X18	12	FOR BALANCER AS
C08	3616008700	SPECIAL NUT	SUS, FLANGE NUT M5	6	FOR GUIDE FILTER
C09	3616003700	SPECIAL SCREW	SUS 5.5X16	12	FOR TUB U
C10	3618815201	TUB U	FRPP -M/B	1	
	3618815501		FRPP -M/B		
C11	4507D83080	SPECIAL NUT	SUS 304	1	
C12	3617200600	FLANGE TUB	ALDC12 VE1	1	
C13	3616007000	SPECIAL BOLT	SCM24H, 6.5X24	6	
C14	3610911200	CAP PULSATOR	PP	1	
C15	4505E3203A	SC.PULSATOR FIX AS	6X26.5 O-RING+SILOCK	1	
C16	3619705510	PULSATOR AS	PULSATOR+INSERT	1	
D01	3611417700	COVER TUB O	PP	1	
	3611413900		PP		
D02	3618807100	TUB O	PP, 100'S NON-PUMP	1	NON-PUMP
	3618807110		PP, 100'S PUMP		PUMP
D03	4500D08210	HOSE AS	ID=4.0 L=3040		OPTION
D04	3619802600	SUSPENSION AS (B)	DWF-1094	1	
	3619803900		DWF-1398		
D05	3619804600	SUSPENSION AS	L=105X3, L=96.5	3	
	3619805000		130'S RD=612 SP=106.5		
D06	3613225600	HOSE OVERFLOW	LDPE	1	NON-PUMP
D07	3615404020	VALVE DRAIN AS	5591D VE	1	NON-PUMP
D08	3613218500	HOSE DRAIN I AS	PELD+EVA, L=219.5	1	NON-PUMP
	3613212110	HOSE DRAIN I	LDPE		PUMP
D09	3610388500	BASE	SECEN 2.0T(ITI)	1	
D10	3616006900	SPECIAL SCREW	SCM24H, 6.5X18	4	
D11	3616007000	SPECIAL SCREW	SCM24H, 6.5X24	8	
D12	3612712200	INNER EARTH WIRE	GN VSF(30/0.18)	1	
	3612713150	HARNESS EARTH WIRE	VSF YW/GN 620/200		

NO.	PARTS CODE	PARTS NAME	DESCRIPTION	Q'TY	REMARK
D13	3966010420	MOTOR SYNCHRONOUS	220~240V/50,60HZ,18,1806	1	
	3966010430		220~240V/50,60HZ,23,1806		
	3966130320		100V/50,60HZ,18,1806		
	3966130330		100V/50,60HZ,23,1806		
	3966320800		110~120V/60HZ,18,1806		
	3966320810		110~120V/60HZ,23,1806		
	3618957620		220~240V/50,60HZ,18,1806		INVERTER
D14	3617307100	GEAR MECHANISM	GM-2000-KJ6XO	1	
	3617308300		GM-2000-KS6X2		
D15	7640802011	BOLT HEX	6B-1 8X20 SW MFZN	4	
D16	3618301300	PROTECTOR GEAR	SBHG 1.6T	1	
D17	3616500500	BELT V	M20.5	1	
	3616590230		M21, AGING		INVERTER
D18	3614800710	SENSOR HALL AS	DWF-100MV, 5.4V	1	INVERTER
D19	3611502700	CUSHION DOWN	POM(8MM)	2	
D20	3964321250	MOTOR CONDENSER	220V/60HZ,W1D50UA001	1	
	3964131120		100V/50,60HZ,W1D50BA001		
	3964221220		110~127V/60HZ,W1D50CA001		
	3964821320		120~127V/60HZ,W1D50JA001		
	3964510420		220~240V/50HZ,W1D50VA001		
	3964320920		220V/60HZ,WM244GA010		
	3618956310		W1N44UA302 3-BRACKET		INVERTER
D21	3611502000	CUSHION UPPER	POM 107X31X6.7	2	
D22	7650802811	BOLT HEX	6B-1 8X28 HS MFZN	2	
D23	3618401400	PULLEY MOTOR AS	ADC-12, DS=10, DP=48.5	1	
	3618401420		ADC-12, DS=10, DP=53.0		
	3618403510		ADC-12 DS=12 DP=52.5		
	3618431300		ADC-12. DP=60.5, 50HZ		INVERTER
D24	3610402910	BODY BUBBLE AS	98 SERIES (MOTOR TYPE)	1	OPTION

Circuit Diagram



REGULATOR: LM317
OSCILLATOR: TL071
DMM: 5.000 Hz
DMM: 5.000 Hz
DMM: 5.000 Hz
DMM: 5.000 Hz

MAIN P.C.B.

FRONT P.C.B.