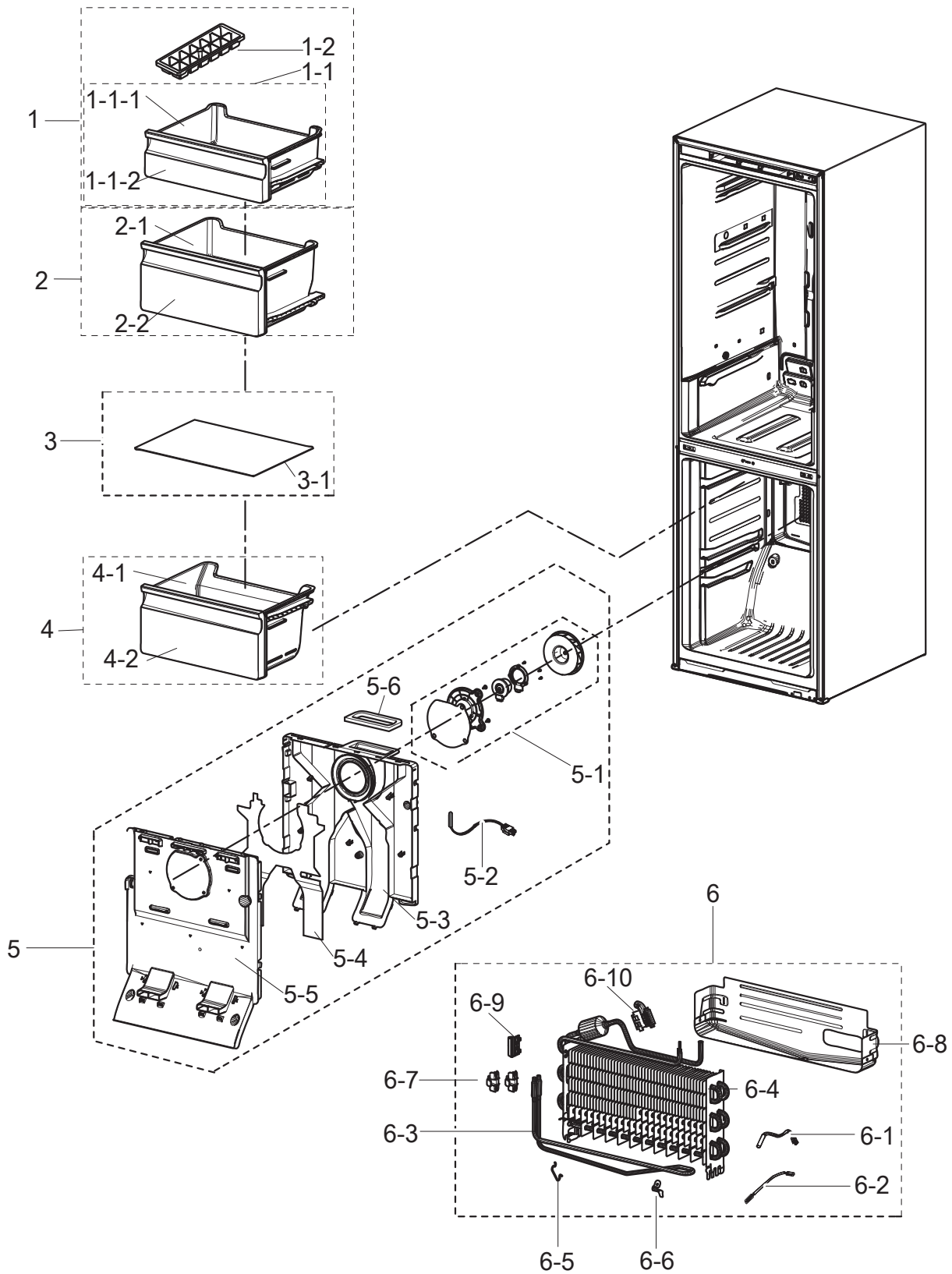


# EXPLODED VIEW PART LIST

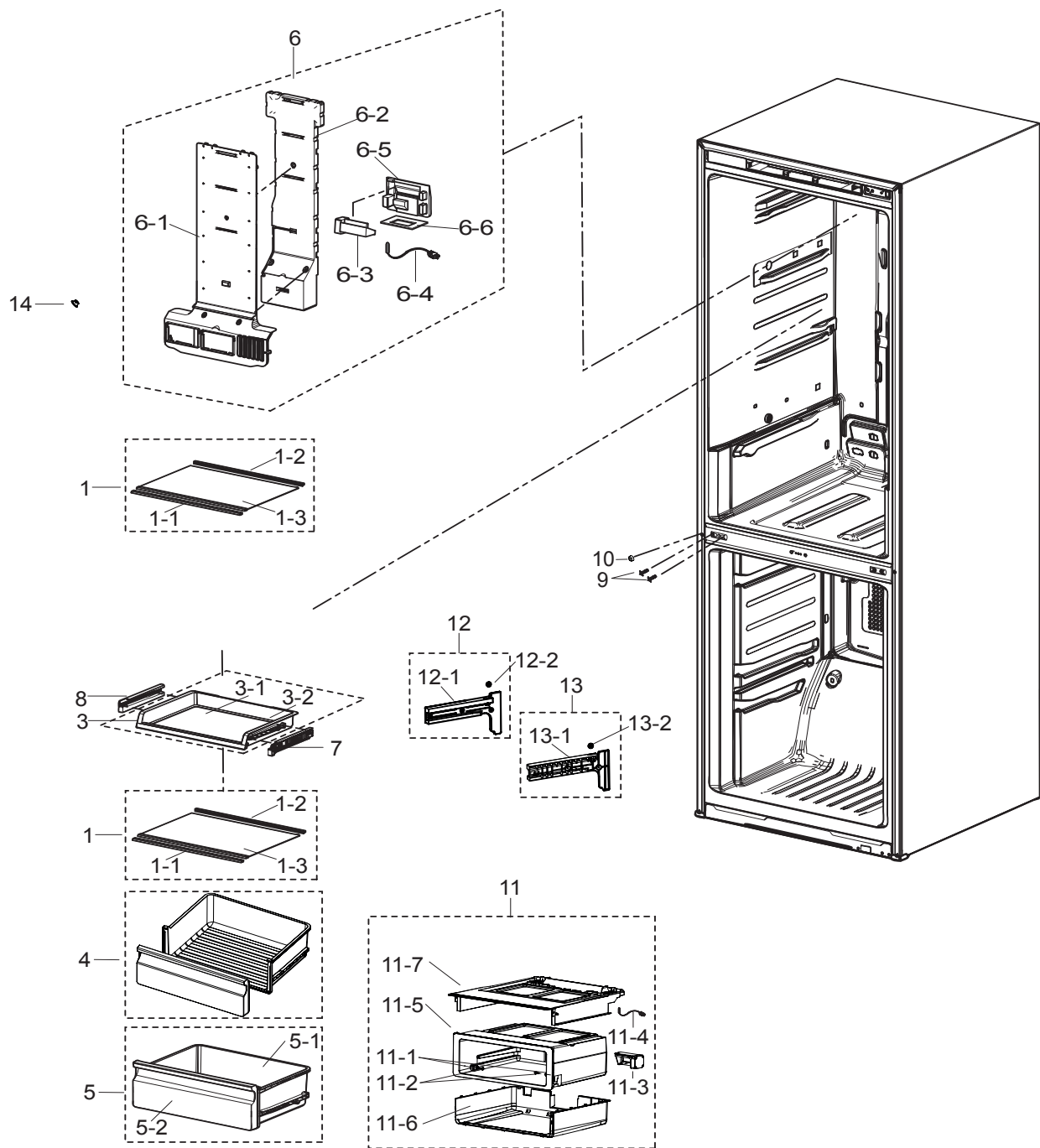
## Freezer





# EXPLODED VIEW PART LIST

## Fridge



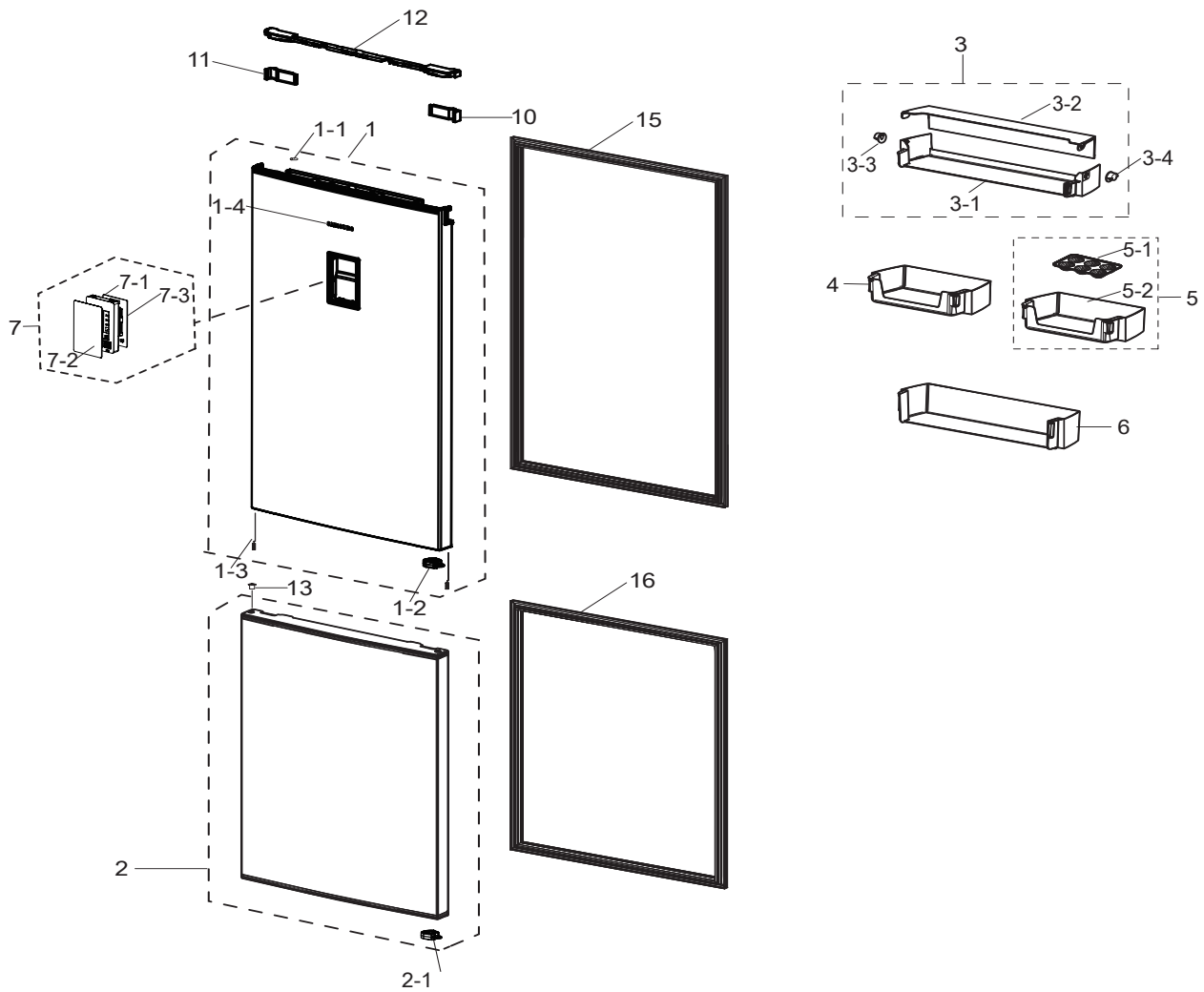
# EXPLODED VIEW PART LIST

## • Parts List of Fridge

NO	CODE NO	PART NAME	Specification	Quantity	SA/SNA
1	DA97-13502D	ASSY SHELF GLASS-REF	RL31/29,COOL WHITE	2	SA
1-1	DA64-04392A	TRIM SHELF-FRONT	RT320,ABS,SV-0157,COOL	1	SNA
1-2	DA64-04395A	TRIM SHELF-REAR	RT320,ABS,SV-0157,COOL W	1	SNA
1-3	DA67-03645K	GLASS-SHELF REF	RL310/290,TEMPERED GLASS	1	SNA
3	DA97-13616E	ASSY SHELF SLIDE-OUT	ASSY,NO HOT-STAMPIN	1	SA
3-1	DA67-03645L	GLASS-SHELF SLIDE	RL310/290,TEMPERED GLA	1	SNA
3-2	DA97-13684B	ASSY SHELF-REF SUB	ASSY,NO HOT-STAMPING	1	SA
4	DA97-13473A	ASSY CASE-VEG UPP	3050,W479.2,L356.1	1	SA
5	DA97-13497A	ASSY TRAY-CONVERTIBLE	3050_BMF	1	SA
5-1	DA63-07429A	TRAY CONVERTIBLE	3050,GPPS,T2,TP BLUE,HB	1	SA
5-2	DA97-13682A	ASSY COVER-TRAY CONVERTIBLE	3050 BMF,TRA	1	SNA
6	DA97-13715E	ASSY COVER MULTI-REF	3050_BMF,RB31,COOL WHITE,CONV	1	SA
6-1	DA63-07480A	COVER-MULTI REF	3050_BMF,PP,HB,COOL WHITE,EP448T	1	SNA
6-2	DA62-04188A	INSULATION-MULTI REF A	3050_BMF,PS FOAM,WHITE,RB31, DENSITY-0.033	1	SNA
6-3	DA31-00043F	MOTOR GEARED DC DAMPER	NSBA001TF1,DC 12V	1	SA
6-4	DA32-00006N	SENSOR TEMP	PX41C,502AT,DKST1329,TGV,-40	1	SA
6-5	DA62-04078A	INSULATION-MULTI REF B	3050_BMF,PS FOAM,	1	SNA
6-6	DA62-04151A	SEAL-INS MULTI REF LOW	3050_BMF,PE OPEN	1	SNA
7	DA61-08967A	RAIL SHELF-SLIDE OUTR	3050,HIPS,COOL WH	1	SA
8	DA61-08968A	RAIL SHELF-SLIDE OUTL	3050,HIPS,COOL WH	1	SA
9	DA67-02684A	CAP SCREW	GRAND CRU,ABS,T1,HB,HG-0760GP,	2	SA
10	DA67-03761A	CAP SCREW	3050-PJT,PP,BJ750,INOX GRAY	1	SNA
11	DA97-14152C	ASSY CASE CONVERTIBLE	3050-PJT,NO HOTSTA	1	SA
11-1	DA66-00151A	ROLLER-FRONT	A-TOPPOM,Ø16,-,WHT,-,CONVE	2	SA
11-2	6009-001293	SCREW-SPECIAL	PWH,+,-,M4,L15.5(6.5),PASS	2	SA
11-3	DA31-00071D	MOTOR GEARED DC DAMPER	NSY002TE1/DU25-07	1	SA
11-4	DA32-00011X	SENSOR TEMP	PX-41C,502AT,DKST1329,MT-PJT	1	SA
11-5	DA61-09034A	CASE CONVERTIBLE-A	3050,PP,COOL WHITE,EP	1	SA
11-6	DA61-09035A	CASE-CONVERTIBLE B	3050(BMF),PP,NATURAL,	1	SNA
11-7	DA61-09036C	CASE CONVERTIBLE-C	3050(BMF),ABS,COOL WH	1	SNA
12	DA97-15062A	ASSY RAIL-LEFT	3050-BMF,ASSY	1	SA
12-1	DA61-09032A	RAIL-VEG L	3050,HIPS,COOL WHITE,454N	1	SNA
12-2	DA66-00420A	ROLLER-RAIL LOW	N07-PJT,SSEC,POM,NTR	1	SA
13	DA97-15063A	ASSY RAIL-RIGHT	3050-BMF,ASSY	1	SA
13-1	DA61-09037A	RAIL-VEG R	3050,HIPS,COOL WHITE,454N	1	SNA
13-2	DA66-00420A	ROLLER-RAIL LOW	N07-PJT,SSEC,POM,NTR	1	SA
14	DA67-30266K	CAP SCREW	A-TOP,PP,T1.5,HB,BJ750,COOL WH	1	SA

# EXPLODED VIEW PART LIST

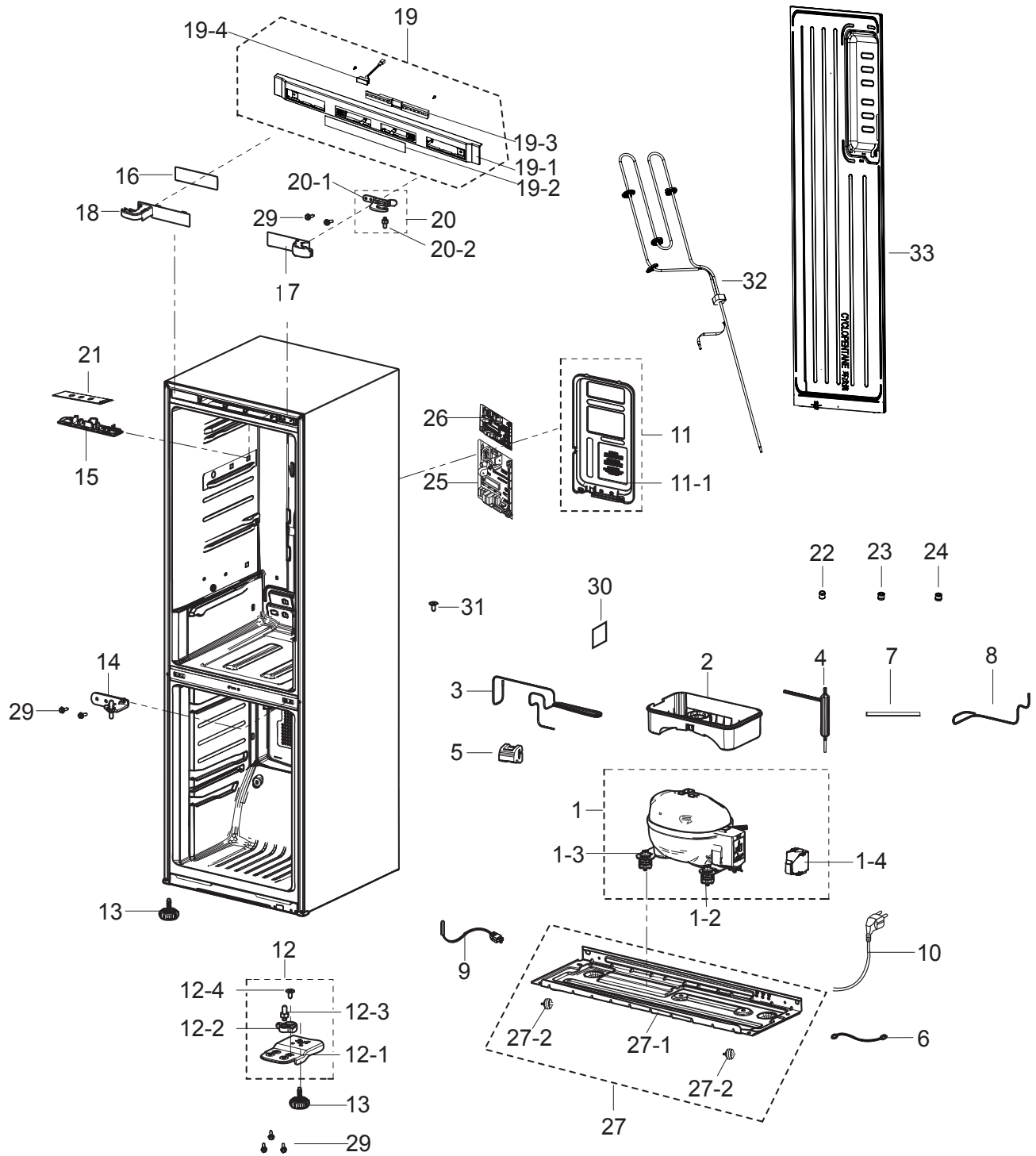
## Door





# EXPLODED VIEW PART LIST

## Cabinet



# EXPLODED VIEW PART LIST

## • Parts List of Cabinet

NO	CODE NO	PART NAME	Specification	Quantity	SA/SNA
1	NC4AV80ALR/F01	CMP,COMP,REFRIGERATOR,R-600A	0	1	SA
1-2	DA63-02617A	GROMMET COMP	USP05,EPDM,OD27.0,BLACK	4	SA
1-3	DA60-20008A	BOLT-HEX	M6,L43.6(28.1),ZPC(WHT),SWRCH10	4	SC
1-4	DA63-06122A	COVER RELAY	MSV,MPP0,T2,BLACK,V-0	1	SA
2	DA63-06630B	TRAY DRAIN-WATER	3050BMF(A1 COMP),PP,HB,	1	SA
3	DA97-13649B	ASSY PIPE IMMERSING	3050 BMF,OD4.76,T0.7	1	SA
4	DA62-01469H	DRYER	C1220T-H,115,SINGLE MOUTH	1	SA
5	DA63-07475A	GROMMET-IMMERSION PIPE D	3050_LMF,NBR,20	1	SNA
6	DA39-20389A	ASSY WIRE HARNESS-EARTH	EARTH,ALL,,,,FR	1	SNA
7	DA73-00050G	PIPE-CONN	Cu,OD6.35,T0.6	1	SA
8	DA62-03095A	PIPE-CONNECT SUCTION	GRANDCRU,C1220T-O,O	1	SA
9	DA32-10105F	SENSOR TEMP	502AT,PX-41C,DKST1329GW,ACE,	1	SA
10	3903-000793	POWER CORD-AT	H05VV-F 3x0.75mm2,BLK,EU3F	1	SNA
11	DA97-13562A	ASSY COVER-PCB PANEL	290, 310,GI,3050	1	SA
11-1	DA63-07420A	COVER-PCB PANEL	BMF,GI-SGCC,T0.5,3050	1	SNA
12	DA97-13557B	ASSY HINGE LOW	3050(BMF)	1	SA
12-1	DA61-08990A	HINGE-LOW	3050PJ,PO-SPHC,T3,LMF	1	SA
12-2	DA61-08991B	GUIDE-AUTO CLOSE	3050PJ,PA66,HB,HG-0760G	1	SA
12-3	DA66-00385A	SHAFT-HINGE	CORE,SWRCH10A,NATURAL,ZPC3(W	1	SNA
12-4	DA81-01532A	SCREW-MACHINE	BH,+,M5,L12.7,ZPC(WHT),SWR	2	SA
13	DA61-09392A	LEG-FRONT	NCA-PJT,PP,BLACK	2	SA
14	DA97-13564A	ASSY HINGE MID	3050_BMF	1	SA
15	DA63-07368B	COVER LAMP	3050,GPPS,T2,TP BLUE	1	SA
16	DA61-08932A	CAP CONTROL-PANEL	3050,ABS,HB,HG-0760GP,	1	SA
17	DA63-07384A	COVER WIRE-HINGE R	3050,ABS,T1.5,HB,INOX	1	SA
18	DA63-07385A	COVER WIRE-HINGE L	3050,ABS,T1.5,HB,INOX	1	SA
19	DA97-13615A	ASSY COVER CONTROL-PANEL	3050PJT,ASSY,IN	1	SNA
19-1	DA63-07353A	COVER-CONTROL PANEL	3050,ABS,HB,INOX GRA	1	SNA
19-4	DA34-00043J	SWITCH REED	UL1007 AWG 22,50mm	1	SA
20	DA97-13567A	ASSY HINGE UPP	3050_BMF	1	SA
20-1	DA97-13566A	ASSY HINGE UPP-SUB	3050_BMF	1	SNA
20-2	DA66-00385A	SHAFT-HINGE	CORE,SWRCH10A,NATURAL,ZPC3(W	1	SNA
21	DA41-00519R	ASSY LAMP LED	3ea,CEM-1,FR-4 65*10*1.6T,	1	SA
22	DA60-00279A	FITTING-LOKRING 16	SUM23,16,11SMnPb30K	1	SA
23	DA60-00280A	FITTING-LOKRING 33	SUM23,33,11SMnPb30K	1	SA
24	DA60-00281A	FITTING LOKRING	SUM23,ID5.02,11SMnPb30K,	1	SA
25	DA92-00849E	ASSY PCB MAIN	BETTER,3050-PJT,148*197mm,	1	SA
26	DA92-00459P	ASSY PCB INVERTER	INVERTER,3050,148*98.5	1	SA
27	DA97-14151A	ASSY CHASSIS COMP	3050-PJT,GI-SGCC, T0.8	1	SA
27-1	DA97-13454A	ASSY CHASSIS COMP	3050-PJT,T0.8,RB31	1	SNA
27-2	DA61-06202A	CASTER-REAR	GRAND-CRU,PP,NATURAL	2	SNA
29	6011-001546	BOLT-HEX	M5(P0.8),L16,ZPC(WHT),SWRCH18A,	7	SA



# EXPLODED VIEW PART LIST

## • Parts List of Cabinet

NO	CODE NO	PART NAME	Specification	Quantity	SA/SNA
30	DA72-00218A	SEAL BUTYL RUBBER	RUBBER,BLACK,T3,W50,L8	1	SA
31	DA60-10130B	SCREW-TAPPING	TH,-,M4.2,L13,ZPC(WHT),S	1	SA
32	DA97-13677G	ASSY PIPE SUCTION	C1220T,-,-	1	SA
33	DA97-14147K	ASSY CABI-REAR	RB33N3204SA	1	SNA