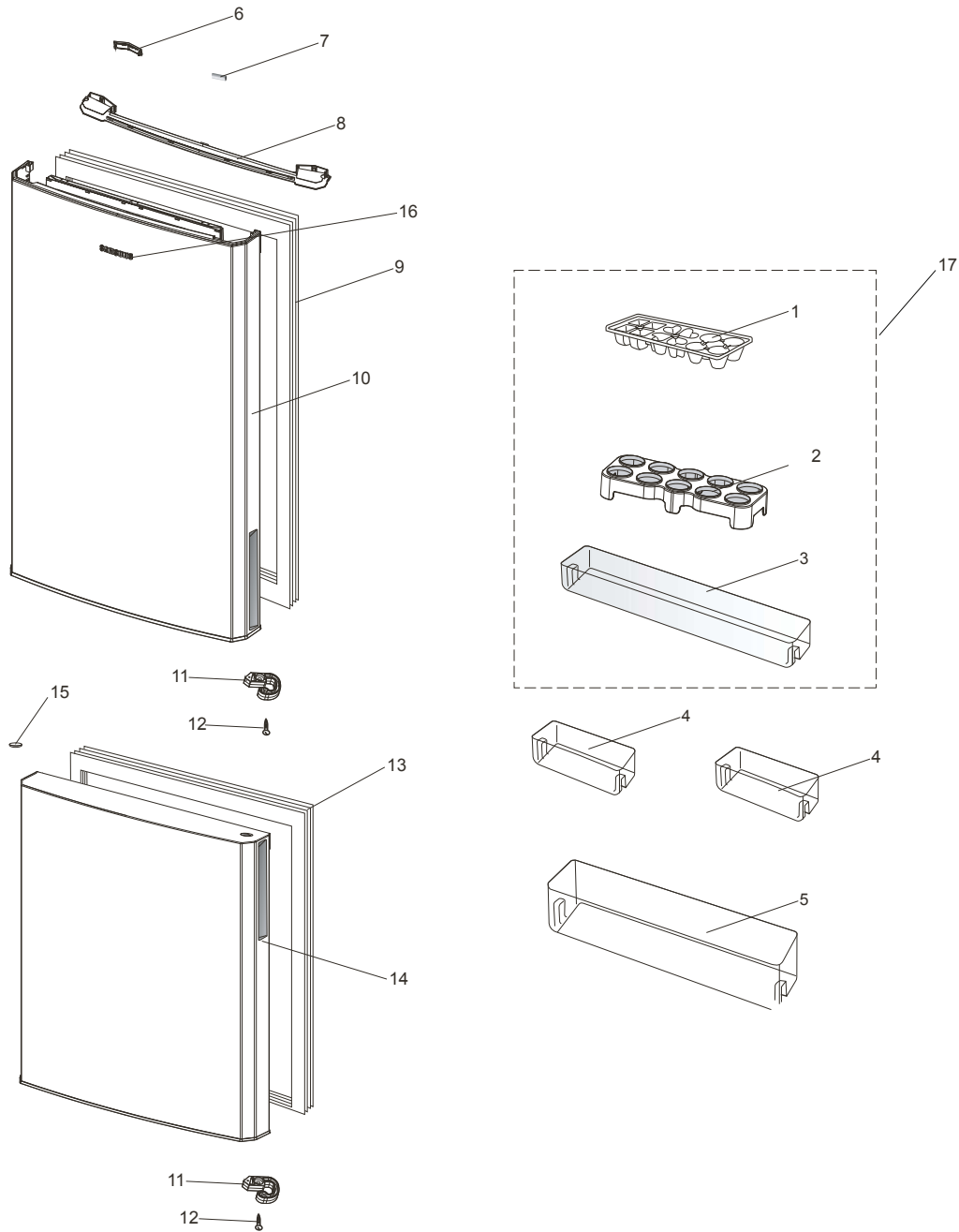


# EXPLODED VIEW PART LIST

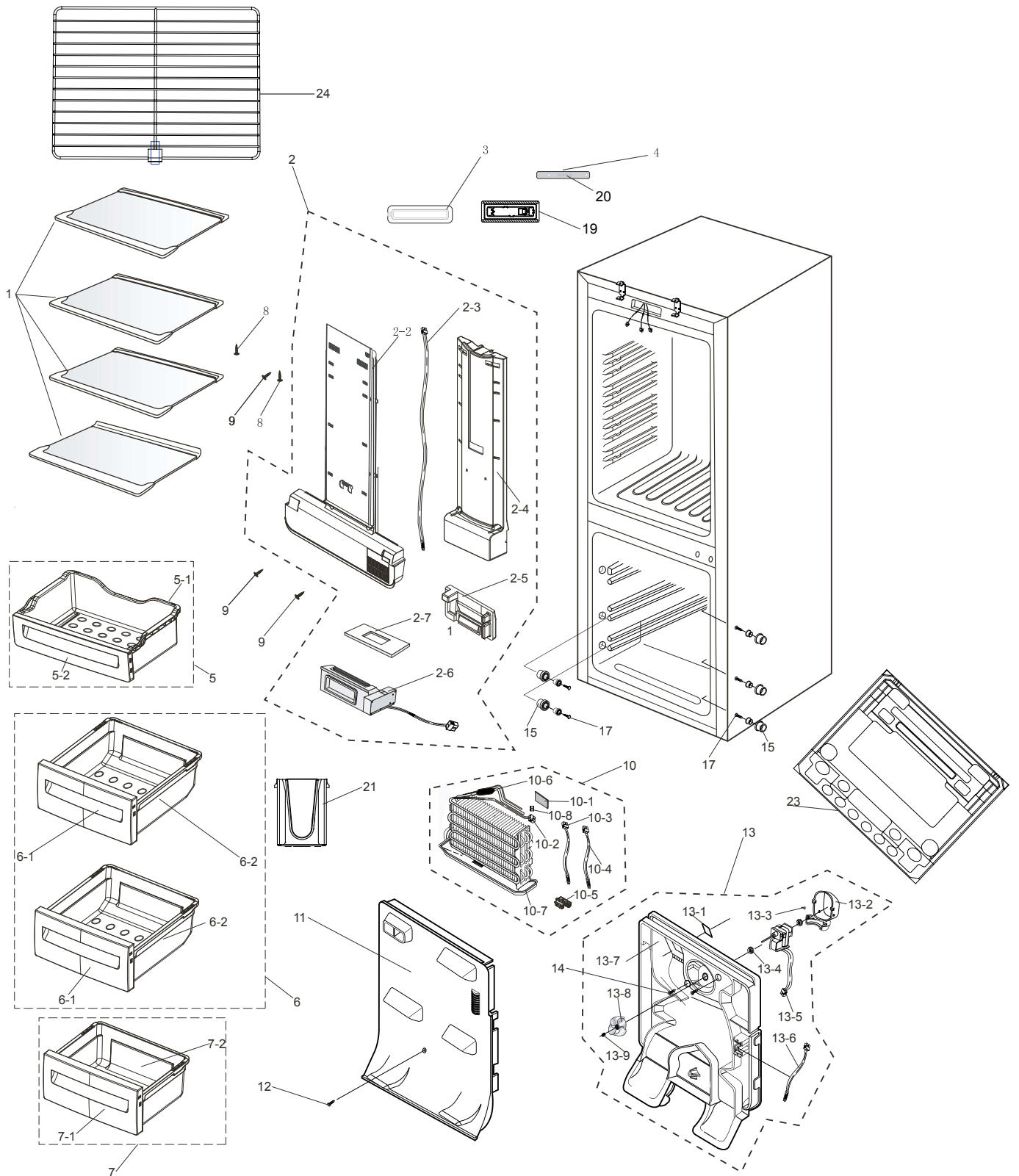
## Door





# EXPLODED VIEW PART LIST

## Fridge & Freeze



# EXPLODED VIEW PART LIST

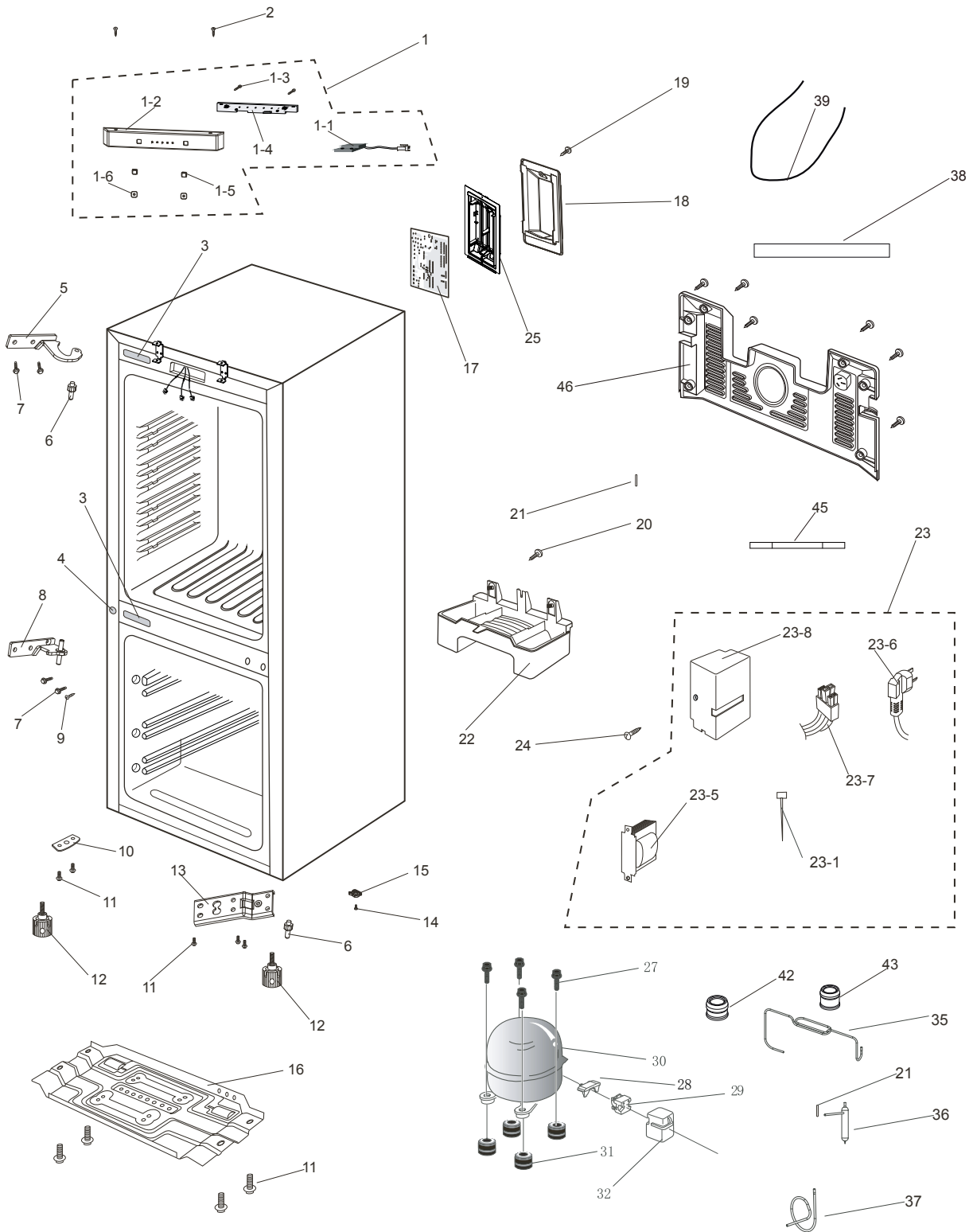
## • Parts List of Fridge & Freeze

NO	CODE NO	PART NAME	Specification	Quantity	SA/SNA	SVC NO
1	DA97-05405B	ASSY SHELF REF	W07, GLASS+PP	4	SA	A0185
2	DA97-10600A	ASSY COVER MULTI	W07, RL34	1	SA	0
2-2	DA63-05681A	COVER-MULTI REF	W07, RL34, PP, SC-03084R, M1	1	SA	A0689
2-3	DA32-00012J	SENSOR TEMP	DKST1329, W07, -, -, -, REF, -, -	1	SA	A1018
2-4	DA62-01571A	INSULATION-MULTI REF A	W07, FOAM-PS	1	SNA	0
2-5	DA62-01570A	INSULATION-MULTI REF B	W07, FOAM-PS	1	SNA	0
2-6	DA31-00218B	MOTOR DC-DAMPER	-, -, -, DC12V, Max60mA, -, -, -	1	SA	G0242
2-7	DA62-01637C	SEAL-COVER MULTI LOW	W07, AOPUSAILUO, OJC-	1	SNA	0
3	DA63-05460B	COVER LAMP	SUPER STAR, GPPS, W35, L145, tran	1	SA	A0280
4	DA41-00675J	ASSY PCB KIT	110*20mm, CEM-1	1	SA	Z1144
5	DA97-05406A	ASSY TRAY-VEG	W07, GPPS+PP, film	1	SA	A0018
5-1	DA63-03800A	TRAY-VEG	W07, PP, M1600, -, -, -, W91527, -	1	SNA	A0201
5-2	DA63-03802A	COVER-TRAY VEG	W07, GPPS, PH88, -, -, -, -, -	1	SNA	A0197
6	DA97-05407B	ASSY TRAY-UP	W07, -, -, -, GPPS+PP, FILM	2	SA	A0015
6-1	DA63-03801A	COVER-TRAY FRE	W07, GPPS	1	SNA	0
6-2	DA63-03797A	TRAY FRE-UPP	W07, PP, M1600, -, -, -, W91527	1	SNA	Z1172
7	DA97-05408B	ASSY TRAY-LOW	W07, -, -, -, GPPS+PP, FILM	1	SA	A0013
7-1	DA63-03801A	COVER-TRAY FRE	W07, GPPS	1	SNA	0
7-2	DA63-03796A	TRAY FRE-LOW	W07, PP, M1600, -, -, -, W91527	1	SNA	A0216
8	DA60-10104C	SCREW-TAPPING	PH, +, -, PI5, L13, -, SWRCH18A,	1	SNA	G0412
9	DA60-10104C	SCREW-TAPPING	PH, +, -, PI5, L13, -, SWRCH18A,	1	SNA	G0412
10	DA96-00401P	ASSY EVAP-FRE	W07, 240V, 50Hz, PL	1	SA	A0163
10-1	DA72-00088A	SEAL-BUTYL RUBBER	C-P, BUTYL-RUBBER, -, T3,	1	SNA	0
10-2	DA47-00263F	HEATER DEFROST	W07, 250W, 240V	1	SA	A0753
10-3	DA47-00138F	THERMO FUSE-ASSY	W07-PJT, G4A01, 77C, 250V,	1	SC	A1008
10-4	DA32-00012K	SENSOR TEMP	DKST1329, W07, -, -, -, REF, -, -	1	SA	A1018
10-5	DA61-03716A	FIXER-SENSOR EVAP	W07, PP, -, -, -	1	SNA	M9009
10-6	DA59-00364A	EVAP FRE	W07-PJT, -, AL, -, -, -, -, -	1	SNA	A0742
10-7	DA67-00979B	DRAIN EVAP-FRE	W07-PJT, GALVA, T0.35	1	SNA	0
10-8	DA63-40237G	GROMMET-DISCHARGE	ID3.0 OD20 H20, NBR, BLK	1	SNA	Z1132
11	DA97-05485D	ASSY COVER EVAP-FRONT	W07, IMPROVE ENERGY	1	SA	A0661
12	DA60-10104C	SCREW-TAPPING	PH, +, -, PI5, L13, -, SWRCH18A,	1	SNA	G0412
13	DA97-05993Q	ASSY COVER EVAP-REAR	W07, 240V	1	SA	A0667
13-1	DA62-01090B	SEAL DUCT	RL33, EPDM, BLACK, T8, W93, L95, -	1	SNA	0
13-2	DA61-01441A	CASE-MOTOR	BCD-290, PP, -, -, -, NTR, -	1	SNA	0
13-3	DA63-40167A	GROMMET-COVER CHIL	SILICON, L16, WHITE	1	SNA	M2002
13-4	DA63-40115A	GROMMET-MOTOR	L20, SILICON-RUBBER, -, -, -, -	2	SNA	A0218
13-5	DA31-00197F	FAN-MOTOR AC	RL34E, PBT+GF, 5.7W, LIUSHENG,	1	SNA	Z1139
13-6	DA32-00012L	SENSOR TEMP	DKST1329, W07, -, -, -, REF, -, -	1	SA	A1018
13-7	DA63-03787B	COVER EVAP-REAR	W07, PP, NTR, IMPROVE ENERNG	1	SNA	G0236
13-8	DA31-00019A	FAN-PROPELLER	-, SR-32, 35, NTR, -, -, -, -	1	SA	Z1138
13-9	DA61-20128A	SPRING ETC-FAN	STS304, PI8.8, ID7.8, OD9.8,	1	SNA	A0768
14	DA60-10104C	SCREW-TAPPING	PH, +, -, PI5, L13, -, SWRCH18A,	1	SNA	G0412
15	DA66-00825A	ROLLER-TRAY	W07, POM	6	SA	Z1140
17	DA60-10130B	SCREW-TAPPING	PH, +, -, PI5, L13, -, SWRCH18A,	5	SNA	G0412
19	DA97-08671B	ASSY CASE LAMP	CC-PJT, ASSY NTR	1	SA	A0189



# EXPLODED VIEW PART LIST

CABI



# EXPLODED VIEW PART LIST

## • Parts List of CABI

NO	CODE NO	PART NAME	Specification	Quantity	SA/SNA	SVC NO
1	DA90-04803A	ASSY COVER TOP-FRONT	W07,SEMI,2008,,,SW,	1	SA	Z1141
1-1	DA34-00046B	SWITCH-REED	KYESH,JST,200V,0.5A,DC,L90	1	SA	Z1142
1-2	DA63-03792A	COVER TOP-FRONT	W07,ABS,LG-121h,SEMI	1	SNA	A0820
1-3	DA60-10104C	SCREW-TAPPING	PH,+,-,PI5,L13,-,SWRCH18A,	1	SNA	G0412
1-4	DA41-00483A	ASSY PCB KIT LED	W07,LED	1	SA	G0069
1-5	DA63-03804A	GROMMET-BUTTON SELECT	W07,RUBBER,-,-,-,-	2	SNA	0
1-6	DA64-02262A	BUTTON-SELECT	W07,ABS,LG-121h	2	SNA	0
2	DA60-10104C	SCREW-TAPPING	PH,+,-,PI5,L13,-,SWRCH18A,	1	SNA	G0412
3	DA67-01798A	CAP-HINGE HOLE	W07,ABS,T2,-,-,-,-	2	SNA	A0549
4	DA67-00429A	CAP-SCREW	BCD-133WB,ABS,A2000901B5	1	SNA	A0270
5	DA97-05488D	ASSY HINGE UPP	RL34,T4,PAINT ZN	1	SA	A0705
6	DA66-00500A	SHAFT HINGE	W07,SM45C,-,-,-,-,M6	1	SNA	0
7	DA60-10124A	SCREW-HEX	HWH,-,- ,M6,L16,ZPC(WHT,YEL),SW	2	SNA	T0072
8	DA61-03688A	HINGE-MID	W07,SCP1,T4,-,-,-,-,PAINT Cr	1	SA	A0831
9	6002-001184	SCREW-TAPPING	FH,+,-,1,M4,L12,ZPC(WHT),S	2	SNA	G0412
10	DA61-04391A	REINF CABI LEG	SBS,2007GVE,SCP1,T1.5	1	SA	0
11	DA60-10124A	SCREW-HEX	HWH,-,- ,M6,L16,ZPC(WHT,YEL),SW	9	SNA	T0072
12	DA61-00851A	LEG-FRONT	BCD-230FBN,PP+MSWR10	2	SA	Z1128
13	DA97-05489A	ASSY HINGE LOW	RL34,T3,-,-,-,-,PAINT ZN	1	SA	A0515
14	DA61-02972A	FIXER HINGE-LOW	CTA,FE1018,M5,L10,-,-	1	SNA	0
15	DA61-03673A	STOPPER HINGE-LOW	W07,POM,-,-,-,-,-	1	SNA	0
16	DA90-04051A	ASSY BASE COMP	RL34,SGCC,T1	1	SA	Z1148
17	DA92-00280A	ASSY PCB MAIN	SEMI,W07,127*100mm	1	SA	A0952
18	DA63-03794D	COVER PCB-MAIN	W07,ABS,T2,5VA,ANTI-BURNI	1	SA	Z1143
19	DA60-10104C	SCREW-TAPPING	PH,+,-,PI5,L13,-,SWRCH18A,	1	SNA	G0412
20	DA60-10104C	SCREW-TAPPING	PH,+,-,PI5,L13,-,SWRCH18A,	1	SNA	G0412
21	DA63-40115A	GROMMET-MOTOR	L20,SILICON-RUBBER,-,-,-,-	2	SNA	A0218
22	DA63-01834E	TRAY WATER-DRAIN	W07,2010GVE,PP,BLACK,RE	1	SA	Z1150
23	DA97-10583B	ASSY CASE JUNCTION	W07,SEMI-EE,LED LAMP,	1	SA	A0249
23-1	6501-000123	CABLE TIE	DACT-140,-,3.6,146,WHT(NTR),NY	1	SNA	0
23-5	DA26-00036A	TRANS POWER	-,W07,-,-,240V,16V,0.35A,-,5	1	SA	Z1149
23-6	DA39-00196C	CBF-POWER CORD	EU,UCP-2,STRIP & RING TER	1	SA	A0273
23-7	DA39-00282N	WIRE HARNESS-RELAY	RL34S,R600a,6PINS,L24	1	SC	A0574
23-8	DA61-03682C	CASE JUNCTION	W07,ABS,TC100V,5VA,big cap	1	SA	A0250
24	DA60-10104C	SCREW-TAPPING	PH,+,-,PI5,L13,-,SWRCH18A,	1	SNA	G0412
25	DA61-03679A	CASE PCB-MAIN	W07,HIPS,ANTI-BURNING,-,-,	1	SA	A1122
27	DA60-20008A	BOLT-HEX	SWCH45K,WHITE,ZPC	4	SA	A0564
28	DA34-10004A	RELAY PROTECTOR O/L	4TM189PHBY53,ST 5.	1	SA	A0575
29	DA35-00103D	RELAY-PTC THERMISOR	PTHTM330MD3,33ohm 38	1	SA	M0206
30	MSE4A0QL1U/ CF1	COMPRESSOR	RSCR,11.1CC,200-220V,STATIC	1	SA	0
31	DA63-02617A	GROMMET COMP	USP05,EPDM,OD27.0,BLACK	4	SA	Z1112
32	DA63-04553A	COVER RELAY	N300X,T2.1,V-0,5VA,SSEC,BLAC	1	SNA	Z1032

