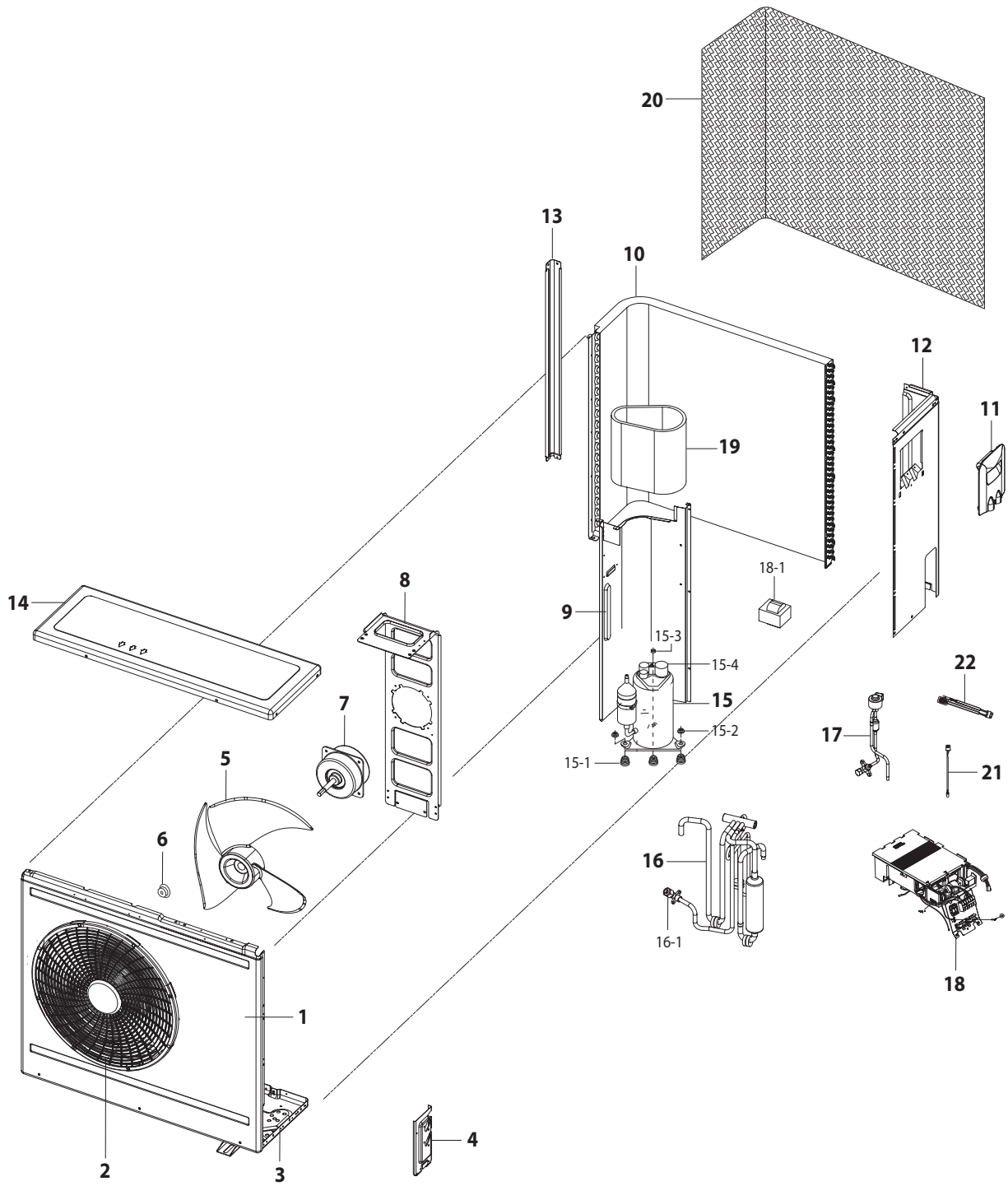


■ UH070EAV

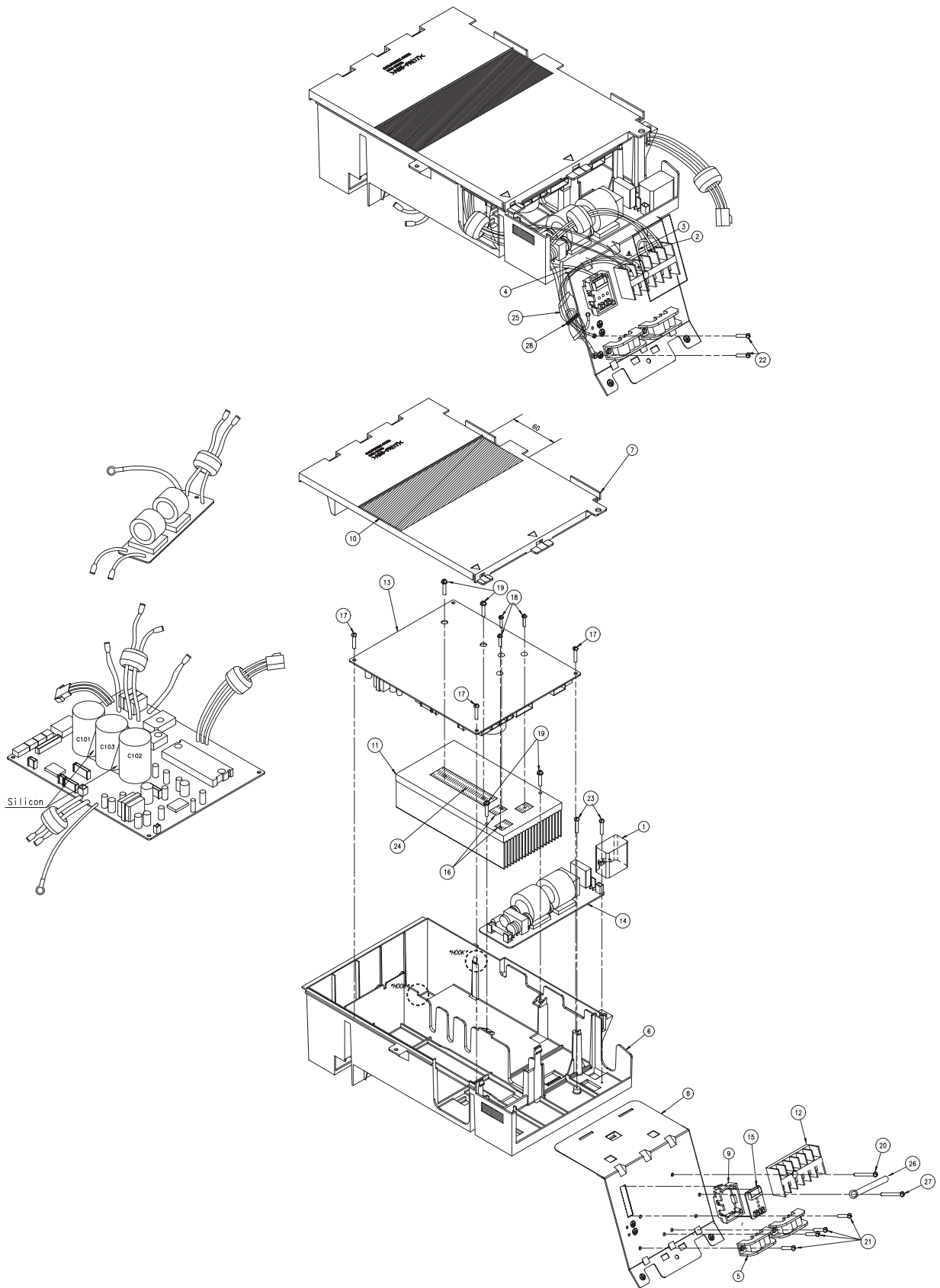


### ■ Parts List

No.	Code No.	Description	Specification	Q'TY	SA/SNA	Remark
1	DB90-00565M	ASS'Y CABI-FRONT	ASS'Y	1	SA	
2	DB63-00831A	GUARD FAN	ABS	1	SA	
3	DB90-01336F	ASS'Y BASE OUT	ASS'Y	1	SA	
4	DB61-01593A	BRACKET VALVE	GALVANIZED STEEL	1	SA	
5	DB67-00438A	FAN-PROPELLER	AS+G/F20%,Ø460	1	SA	
6	DB60-30004A	NUT-FLANGE	M6,CCW	1	SA	
7	DB31-00268A	MOTOR FAN OUT	230V/50Hz	1	SA	
8	DB90-00967D	ASS'Y BRACKET MOTOR	ASS'Y	1	SA	
9	DB94-00869A	ASS'Y PARTITION	ASS'Y	1	SA	
10	DB96-05447A	ASS'Y COND-UNIT	ASS'Y	1	SA	
11	DB90-40176B	ASS'Y-COVER CONTROL	ASS'Y	1	SA	
12	DB90-02296A	ASS'Y CABINET-SIDE RH	SC-90073T	1	SA	
13	DB63-30027C	GUARD COND	SC-90073T	1	SA	
14	DB90-00569G	ASS'Y-CABI UPPER	ASS'Y	1	SA	
15	G8T260FU1EW	COMPRESSOR	ROTARY	1	SA	
15-1	DB73-00067A	GROMMET-MOUNT	NR	3	SNA	
15-2	DB60-30028A	NUT-WASHER	M8	3	SA	
15-3	DB60-30018A	NUT-FLANGE	M5	1	SA	
15-4	DB63-10165D	COVER-TERMINAL	PBT	1	SA	
16	DB99-00710B	ASS'Y-4WAY V/V	ASS'Y	1	SA	
16-1	DB62-02342A	VALVE SERVICE	5/8"	1	SNA	
17	DB99-00709A	ASS'Y VALVE EEV	ASS'Y	1	SA	
18	DB93-03665E	ASS'Y CONTROL OUT	ASS'Y	1	SA	
18-1	DB81-00534A	REACTOR	5mH,20A	1	SA	
19	DB63-01223B	CLOTH-COMP SOUND	FELT+EVAR	1	SA	
20	DB61-00821A	GUARD-SCREEN	PE.H	1	SA	
21	DB32-00081D	SENSOR TEMP-COND	ASS'Y	1	SA	
22	DB32-00083J	THERMISTOR-OUT/DISCHARGE	ASS'Y	1	SA	

# Ass'y Control Out(cont.)

■ UH052EAV : DB93-03665D  
UH070EAV : DB93-03665E



### ■ Parts List

No.	Code No.	Description	Specification	Q'TY		SA/SNA	Remark
				UH052EAV	UH070EAV		
1	2301-001369	C-FILM,LEAD-OTHER	3uF,450V	1	-	SA	
	2301-001379	C-FILM,LEAD-OTHER	4uF,450V	-	1	SA	
2	DB39-00604W	LEAD CONNECTOR-N	SKYBLU	1	1	SNA	
3	DB39-00604X	LEAD CONNECTOR-L	BRN	1	1	SNA	
4	DB39-01198A	CONNECT WIRE	5P,MAIN TO DISPLAY	1	1	SNA	
5	DB61-00171A	HOLDER-WIRE CLAMP	ABS,BLK	1	1	SA	
6	DB61-02511A	CASE CONTROL-BASE	ABS V0,T2.0	1	1	SNA	
7	DB61-02512A	CASE CONTROL-COVER	ABS V0,T2.0	1	1	SNA	
8	DB61-02534A	PLATE-CONTROL OUT	SGCC-M,T0.6	1	1	SNA	
9	DB61-02543A	CASE-DISPLAY PCB	ABS V0,T2.0	1	1	SNA	
10	DB62-01925D	INSULATION-CONTROL BOX TOP	FOAM-LEX,T2,WHT	1	1	SNA	
11	DB62-03874A	HEAT SINK	100mm,185mm,50mm,AL	1	1	SNA	
12	DB65-00179C	TERMINAL BLOCK	DAF-6P	1	1	SNA	
13	DB93-03545D	ASS'Y PCB MAIN	PCB-2L	1	-	SA	
	DB93-03545E	ASS'Y PCB MAIN	PCB-2L	-	1	SA	
14	DB93-03546A	ASS'Y PCB SUB-EMI	PCB-2L	1	-	SA	
	DB93-03546D	ASS'Y PCB SUB-EMI	PCB-2L	-	1	SA	
15	DB93-03662A	ASS'Y PCB DISPLAY	PCB-1L	1	1	SA	
16	DB98-17991A	ASS'Y-INSULATOR MICA	MICA	2	2	SNA	
17	6002-000630	SCREW-TAPPING	PH,+,M3,L8	3	3	SNA	
18	DB91-00306A	ASS'Y-SCREW MACHINE	PH,+,M3,L16	3	3	SNA	
19	DB91-00307A	ASS'Y-SCREW MACHINE	PH,+,M4,L16	4	4	SNA	
20	6002-000555	SCREW-TAPPING	PH,+,M4,L25	1	1	SNA	
21	6001-001054	SCREW-MACHINE	TH,+,M4,L10	4	4	SNA	
22	6009-001001	SCREW-SPECIAL	TH,+,M4,L8	1	1	SNA	
23	6002-000536	SCREW-TAPPING	PH,+,M4,L10	2	2	SNA	
24	DB98-24813A	ASS'Y-THERMAL GREASE	INV,RADIANT HEAT	0.002	0.002	SNA	
26	DB61-00206A	HOLDER-WIRE	SGCC-M,T0.5	1	1	SNA	
27	6002-001149	SCREW-TAPPING	PH,+,M4,L10	1	1	SNA	
28	DB65-10088D	CABLE-TIE	NY-66	1	1	SNA	