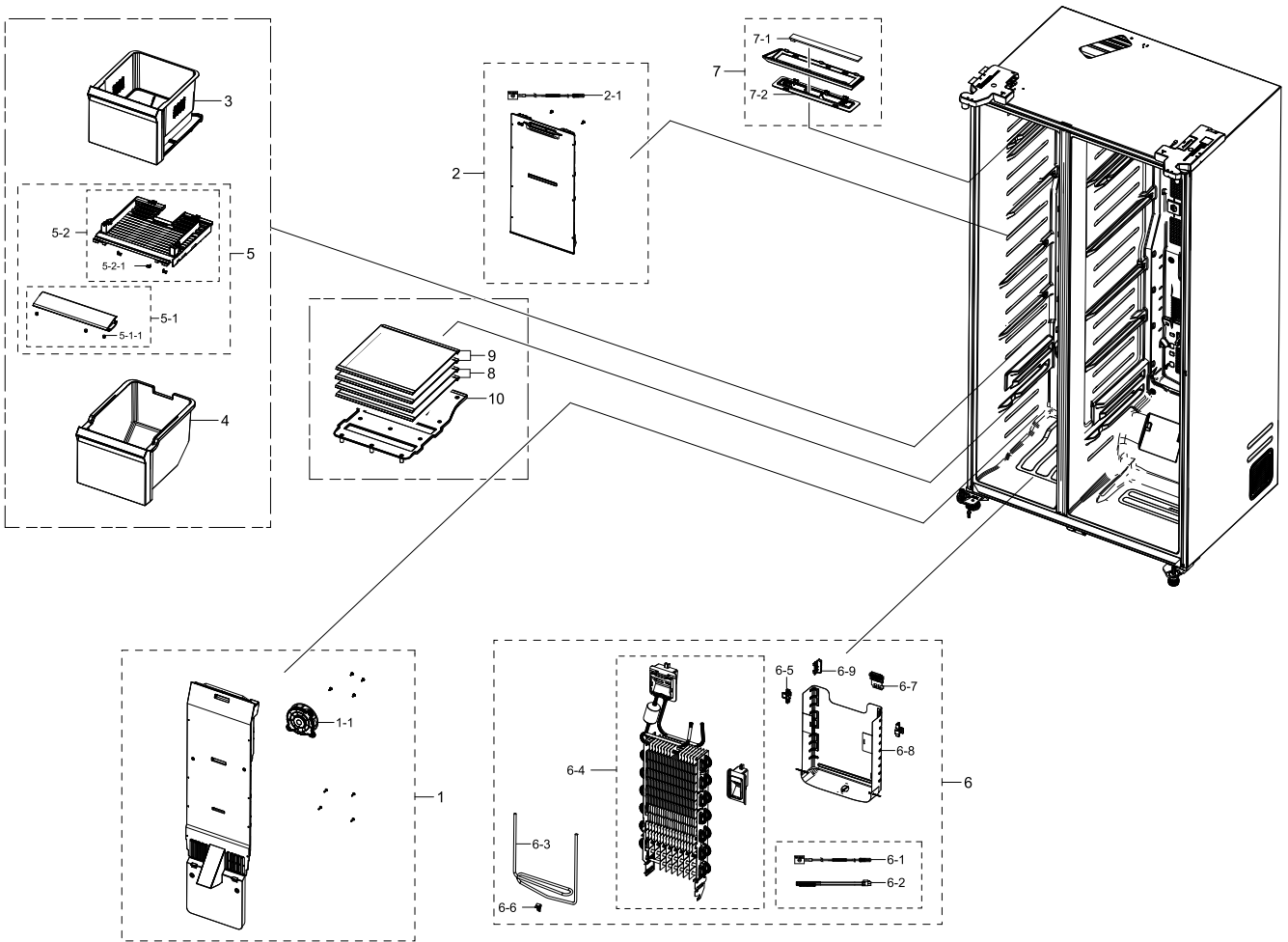


1. Freezer

Exploded View



Parts List

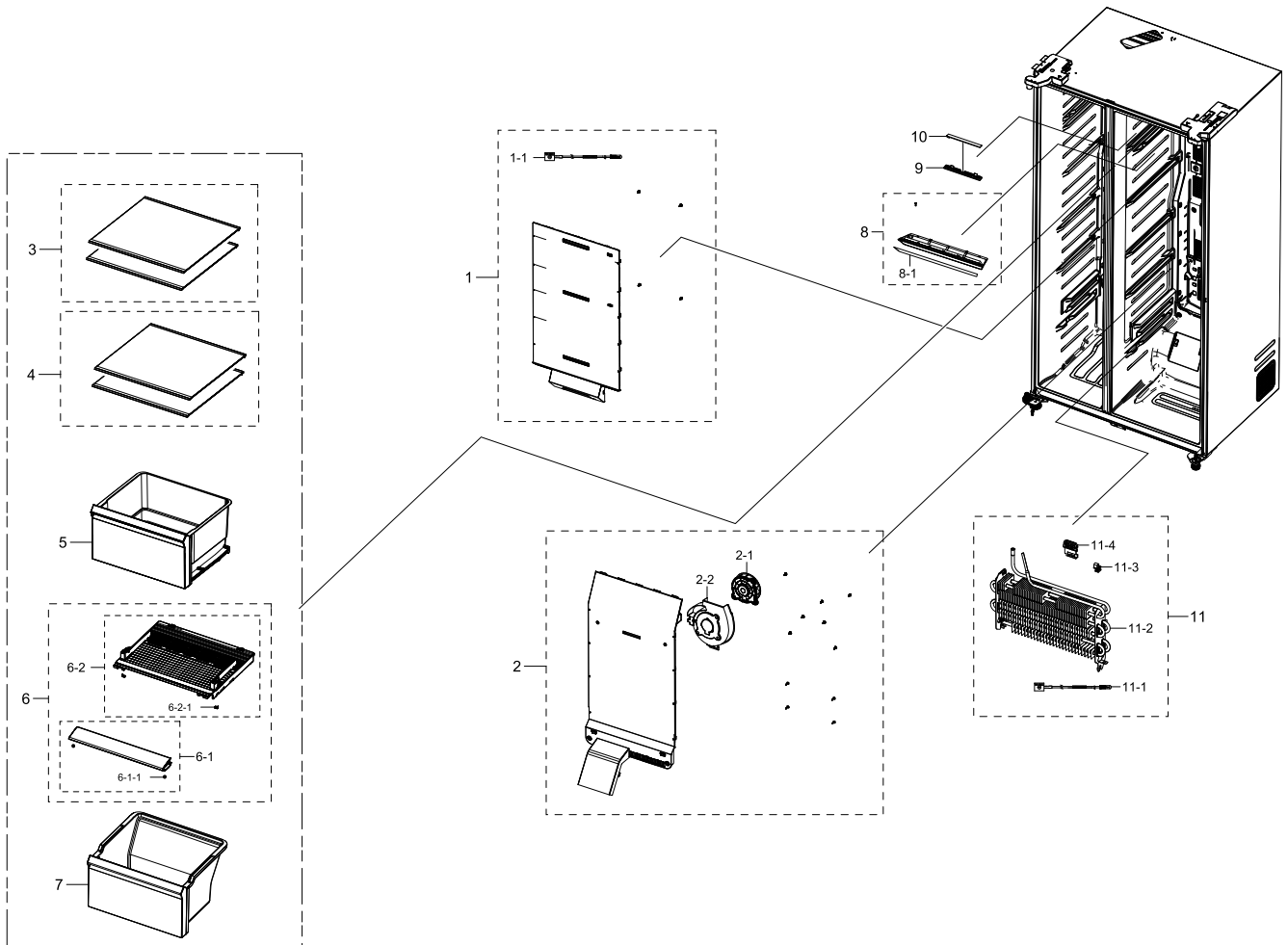
No.	Lvl.	Loc.	Material Code	Description & Specification	SNA	Qty.
1	2	M0303	DA97-19185A	ASSY COVER EVAP-FRE; RS8000NC,2-Door, 3-D	SA	1
1-1	3		DA31-00345A	MOTOR BLDC FAN; AIO-Q7,1795-1994rpm,12V,2	SA	1
2	2	M0304	DA97-19187B	ASSY COVER MULTI-FRE; RS8000NC,In-Door I/	SA	1
2-1	3	A1018	DA32-00070C	SENSOR TEMP; SC41200-021A,250mm,11.73kohm	SA	1
3	2		DA97-19210A	ASSY CASE BASKET-UP; RS8000NC	SA	1
4	2	A1186	DA97-19211A	ASSY CASE BASKET-LOW; RS8000NC	SA	1
5	2		DA97-19217A	ASSY COVER SLIDE-FRE; RS8000NC	SA	1
5-1	3		DA97-19505A	ASSY COVER SLIDE-FRE A; RS8000NC	SNA	1
5-1-1	4		DA63-07113A	GROMMET-COVER SIDE; HM12,SI,Transparency	SA	2

Exploded Views and Parts List

No.	Lvl.	Loc.	Material Code	Description & Specification	SNA	Qty.
5-2	3		DA97-19506A	ASSY COVER SLIDE-FRE B; RS8000NC	SNA	1
5-2-1	4	G0587	DA63-00202C	GROMMET-RAIL; TD-PJT,PA66,W10.7,COOL WHIT	SA	2
6	2	A0163	DA96-01316A	ASSY EVAP-FRE; RS8000NC,FIN TUBE,230V , 2	SA	1
6-1	3	A1018	DA32-00070Q	SENSOR TEMP; DKST1329GW,DOUBLE_INSULATION	SA	1
6-2	3	A1008	DA47-00301H	THERMO FUSE-ASSY; AC250V,10A,109~110S	SNA	1
6-3	3		DA47-00501A	HEATER METAL SHEATH; AC230V,RS800NC FRE,	SA	1
6-4	3		DA59-00618A	EVAPORATOR-FRE; FIN TUBE,RS8000NC,2,A1070	SNA	1
6-5	3	G0205	DA61-04921B	FIXER-HEATER FRE; HERMES-PJT,PP,NATURAL,V	SA	2
6-6	3		DA61-12385A	PLATE HEATER; BRF8000M,A1,T0.7,A1100P-H14	SA	1
6-7	3		DA61-12980A	FIXER SENSOR; RS8000NC,PP,T2,NATURAL,BJ75	SNA	1
6-8	3		DA61-13033A	PLATE DRAIN-FRE; RS8000NC,GL-SAZCC,T0.3	SNA	1
6-9	3	A0744	DA61-05160A	FIXER FUSE; CULLI_09,PP,T2,NATURAL,HB,BJ7	SNA	1
7	2		DA97-19445A	ASSY COVER LAMP-FRE; RS8000NC,ASSY,SNOW W	SA	1
7-1	3		DA63-09405A	COVER-OPTICAL LED; RS8000NC,GPPS,T2,TP BL	SA	1
7-2	3		DA96-01119A	ASSY LAMP LED; 3EA,FR-4,150*12,WHITE,SMAW	SA	1
8	2		DA97-19045A	ASSY SHELF-FRE LOW; RS8000NC	SA	2
9	2		DA97-19044A	ASSY SHELF-FRE UP; RS8000NC	SA	2
10	2		DA97-19104A	ASSY SHELF-FRE BOTTOM; RS8000NC	SA	1

2. Fridge

Exploded View



Parts List

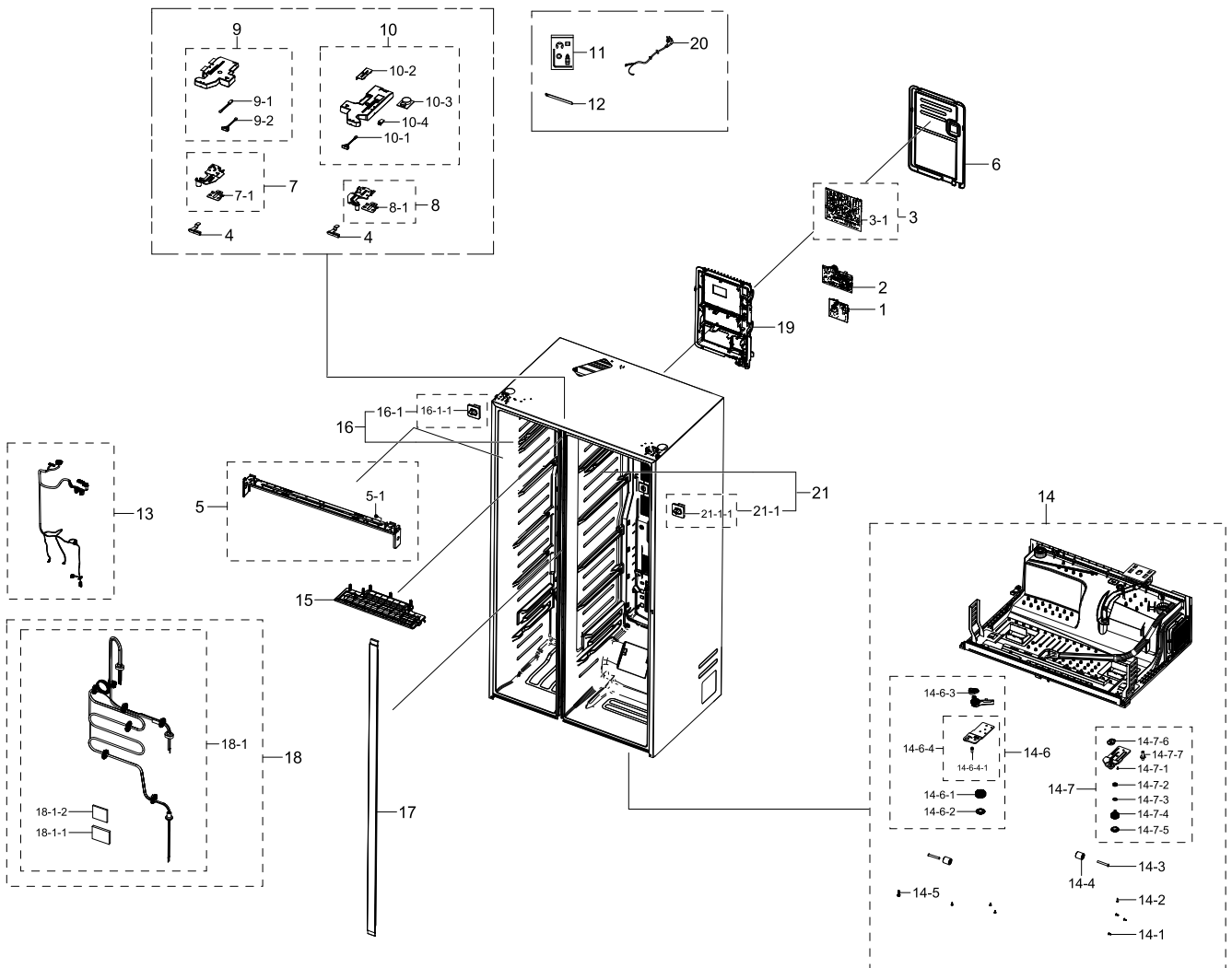
No.	Lvl.	Loc.	Material Code	Description & Specification	SNA	Qty.
1	2	G0239	DA97-19189B	ASSY COVER MULTI-REF; RS8000NC,2-Door, 3-	SA	1
1-1	3	A1018	DA32-00070C	SENSOR TEMP; SC41200-021A,250mm,11.73kohm	SA	1
2	2	Z1177	DA97-19188A	ASSY COVER EVAP-REF; RS8000NC,2-Door, 3-D	SA	1
2-1	3		DA31-00345A	MOTOR BLDC FAN; AIO-Q7,1795-1994rpm,12V,2	SA	1
2-2	3		DA61-08437A	GUIDE AIR-REF; HM12,HIPS,HB,454N,NATURAL,	SA	1
3	2		DA97-19046A	ASSY SHELF-REF UP; RS8000NC	SA	2
4	2		DA97-19047A	ASSY SHELF-REF LOW; RS8000NC	SA	2
5	2		DA97-19214A	ASSY CASE VEG-UP; RS8000NC	SA	1
6	2		DA97-19218A	ASSY COVER SLIDE-REF; RS8000NC	SA	1

Exploded Views and Parts List

No.	Lvl.	Loc.	Material Code	Description & Specification	SNA	Qty.
6-1	3		DA97-19504A	ASSY COVER SLIDE-REF A; RS8000NC	SNA	1
6-1-1	4		DA63-07113A	GROMMET-COVER SIDE; HM12,SI,Transparency	SA	2
6-2	3		DA97-19507A	ASSY COVER SLIDE-REF B; RS8000NC	SNA	1
6-2-1	4	G0587	DA63-00202C	GROMMET-RAIL; TD-PJT,PA66,W10.7,COOL WHIT	SA	2
7	2	M0300	DA97-19212A	ASSY CASE VEG-LOW; RS8000NC,NON-PLUMBING	SA	1
8	2	A0626	DA97-19058A	ASSY COVER CONTROL; RS8000NC,BASIC	SA	1
8-1	3		DA64-05790A	INLAY CONTROL; RS8000NC,PC,T0.38,W30.2,L3	SNA	1
9	2		DA63-09405A	COVER-OPTICAL LED; RS8000NC,GPPS,T2,TP BL	SA	1
10	2		DA96-01119B	ASSY LAMP LED; 5,FR-4,150*12,WHITE,SMAW25	SA	1
11	2	A0184	DA96-01318A	ASSY EVAP-REF; RS8000NC,FIN TUBE,A+,A++	SA	1
11-1	3	A1018	DA32-00070Q	SENSOR TEMP; DKST1329GW,DOUBLE_INSULATION	SA	1
11-2	3		DA59-00619A	EVAPORATOR-REF; Fin Tube,RS8000NC, Alumit	SNA	1
11-3	3		DA61-06013B	FIXER WIRE; AW3-PJT,PP,T2,NATURAL,HB,BJ75	SA	1
11-4	3		DA61-12980A	FIXER SENSOR; RS8000NC,PP,T2,NATURAL,BJ75	SNA	1

3. Assy Cabinet

Exploded View



Parts List

No.	Lvl.	Loc.	Material Code	Description & Specification	SNA	Qty.
1	1		DA92-00530A	ASSY MODULE; STD #7 SMPS,FOOD SHOWCASE,32	SA	1
2	1		DA92-00763N	ASSY PCB INVERTER; INVERTER,RS8000,163*98	SA	1
3	1		DA94-04228C	ASSY PCB EEPROM; OXA5,D603,D606,D608,RS80	SA	1
3-1	2	A0952	DA92-01061B	ASSY PCB MAIN; RS8000NC,178*197,BASIC,STA	SNA	1
4	2		DA61-04932B	FIXER-HINGE; PO-SPHC,T3,Zn coating	SA	2
5	2		DA97-06920U	ASSY REINF-CABI FLANGE UP; RS8000NC	SNA	1
5-1	3		6011-001694	BOLT-ETC; M8,L14.1(3.4),FE-FZB,SCM435,3-B	SNA	1

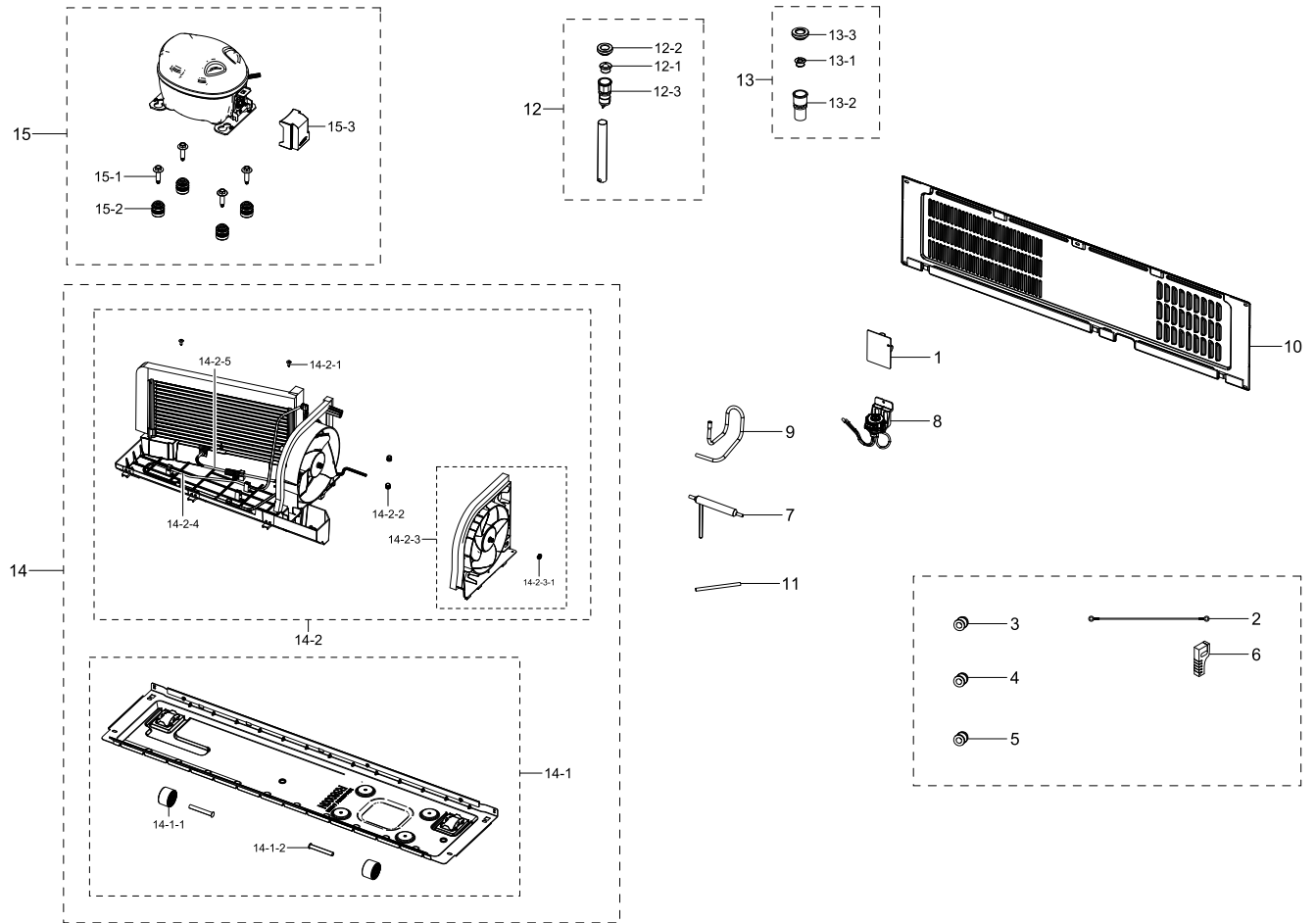
Exploded Views and Parts List

No.	Lvl.	Loc.	Material Code	Description & Specification	SNA	Qty.
6	2	A0235	DA97-13181B	ASSY COVER-PBA MAIN; ROMANEE-CONTI,T0.5	SA	1
7	2		DA97-19227A	ASSY HINGE-UP LEFT; RS8000NC,BLK	SA	1
7-1	3		DA63-50192A	SHIM-HINGE UPP; PVC,T1.0,T1.0	SA	1
8	2		DA97-19132A	ASSY HINGE-UP RIGHT; RS8000NC,BLK	SA	1
8-1	3		DA63-50192A	SHIM-HINGE UPP; PVC,T1.0,T1.0	SA	1
9	2		DA97-19247C	ASSY COVER HINGE-UP LEFT; RS8000NC,ABS,T2	SA	1
9-1	3	A1108	DA32-00074A	SENSOR HUMIDITY; 5V,0~100%RH,REF	SA	1
9-2	3	G0068	DA34-00043A	SWITCH REED; UL1007 AWG 22,100mm,DEM1-B50	SA	2
10	2		DA97-19248C	ASSY COVER HINGE-UP RIGHT; RS8000NC,ABS,T	SA	1
10-1	3	G0068	DA34-00043A	SWITCH REED; UL1007 AWG 22,100mm,DEM1-B50	SA	2
10-2	3		DA63-08442D	COVER HINGE-B; RF9000K,ABS,HB,SNOW WHITE,	SA	1
10-3	3		DA92-00817A	ASSY MODULE; BUZZER PBA,RB6000K	SA	1
10-4	3		DB92-03769A	ASSY MODULE; ASSY GENDER,ASSY GENDER, CEM	SA	1
11	2		DA99-03490S	ASSY INSTALL-ACCESSORY; VALVE	SNA	1
12	2		DB61-00206A	HOLDER-WIRE; GI-SGCC,BLACK	SA	1
13	2		DA96-01311L	ASSY WIRE HARNESS-MAIN; RS8000NC,2D,BASIC	SNA	1
14	2		DA97-19254F	ASSY CABI-BOTTOM; RS8000NC,PP SCRAP,SNOW	SNA	1
14-1	3	G0412	6002-000213	SCREW-TAPPING; TH,+,1,M4,L12,ZPC(WHT),SWR	SNA	1
14-2	3	G0412	6002-000215	SCREW-TAPPING; TH,+,1,M4,L16,ZPC(WHT),SWR	SNA	2
14-3	3	M0146	DA61-01920A	FIXER-CASTER; ZPC2,SWRCH10A,OD8.0,L58	SA	1
14-4	3	M0145	DA61-04702A	CASTER-FRONT; AW-PJT,PP,BLACK,PP(M/B 0103	SA	1
14-5	3	A0564	DA60-10123C	BOLT-HEX; M6,L24,ZPC(WHT),SWRCH18A,HWH He	SA	6
14-6	3		DA97-14046B	ASSY HINGE-LOW LEFT; FSR CD,DISPENSER	SA	1
14-6-1	4	A0577	DA61-07972B	FOOT-FRONT; POLARIS,PP,BLACK,INSERT NUT,	SA	1
14-6-2	4	A0863	DA61-07973B	FOOT; POLARIS,PP,BLACK,PP_S	SA	1
14-6-3	4		DA66-01127A	CAM RISER-FRE LOW; FSR CD,PA66,BLACK,KN33	SNA	1
14-6-4	4		DA61-09275B	HINGE-LOW LEFT; FSR CD,PO-SPHC,T5,DISPENS	SNA	1
14-6-4-1	5	A0517	DA66-00793A	SHAFT-LEG FRONT; POLARIS,SWRCH10A,BLACK,E	SA	1

No.	Lvl.	Loc.	Material Code	Description & Specification	SNA	Qty.
14-7	3		DA97-19056A	ASSY HINGE-LOW RIGHT; RS8000NC,T7,2DOOR	SA	1
14-7-1	4	G0412	6002-000217	SCREW-TAPPING; TH,+,NO,1,M4,L8,ZPC(WHT),S	SA	1
14-7-2	4	A0837	6021-000171	NUT-HEXAGON; 3C,M12,SN PLT,STS304	SNA	1
14-7-3	4		6031-001297	WASHER-SPRING; STS304,ID12.3,OD21.5,T2,ZP	SNA	1
14-7-4	4	A0577	DA61-09458A	FOOT-FRONT; PP,I BLACK	SA	1
14-7-5	4	A0863	DA61-09459A	FOOT; PP,I BLACK	SA	1
14-7-6	4		DA66-00891A	CAM-HINGE RISER REF LOW; MONTES ALPHA,PA6	SA	1
14-7-7	4		DA66-00911C	SHAFT HINGE; POLARIS,SWRCH10A,WHITE,FORGI	SA	1
15	2		DA97-19255A	ASSY CASE DISPLAY; RS8000NC,REF	SNA	1
16	2		DA94-04189A	ASSY LINER-FRE; RS8000NC,In door I/M, Twi	SNA	1
16-1	3		DA97-19607A	ASSY GROMMET; RH9000M,Assy	SNA	2
16-1-1	4		DA61-06328A	SEAL CUTT SPONGE; RH9000M,PU FOAM,Black,T	SA	2
17	2		DA97-19288B	ASSY CABI FRAME-MIDDLE FRONT; RS8000NC,T0	SNA	1
18	2		DA97-19310B	ASSY PIPE SUCTION; RS8000NC,A+, OD6.35	SNA	1
18-1	3		DA97-19310A	ASSY PIPE SUCTION; RS8000NC,A+,OD6.35	SNA	1
18-1-1	4		DA62-01018A	SEAL CUTT-RUBBER; RR2500K,RUBBER,BLACK,T5	SA	1
18-1-2	4		DA72-60040W	SEAL-CUTT RUBBER; TD-PJT,RUBBER,BLACK,T5,	SA	1
19	2		DA61-13307A	CASE PBA-MAIN; RS8000,PC,EBONY BLACK	SNA	1
20	2	A0273	3903-001015	POWER CORD-AT; H05VV-F 3x0.75mm2,BLK,EU3F	SA	1
21	2		DA94-04188F	ASSY LINER-REF; RS8000NC,2door,Non-Dispen	SNA	1
21-1	3		DA97-19607A	ASSY GROMMET; RH9000M,Assy	SNA	2
21-1-1	3		DA97-19607A	ASSY GROMMET; RH9000M,Assy	SNA	2

4. Cycle

Exploded View



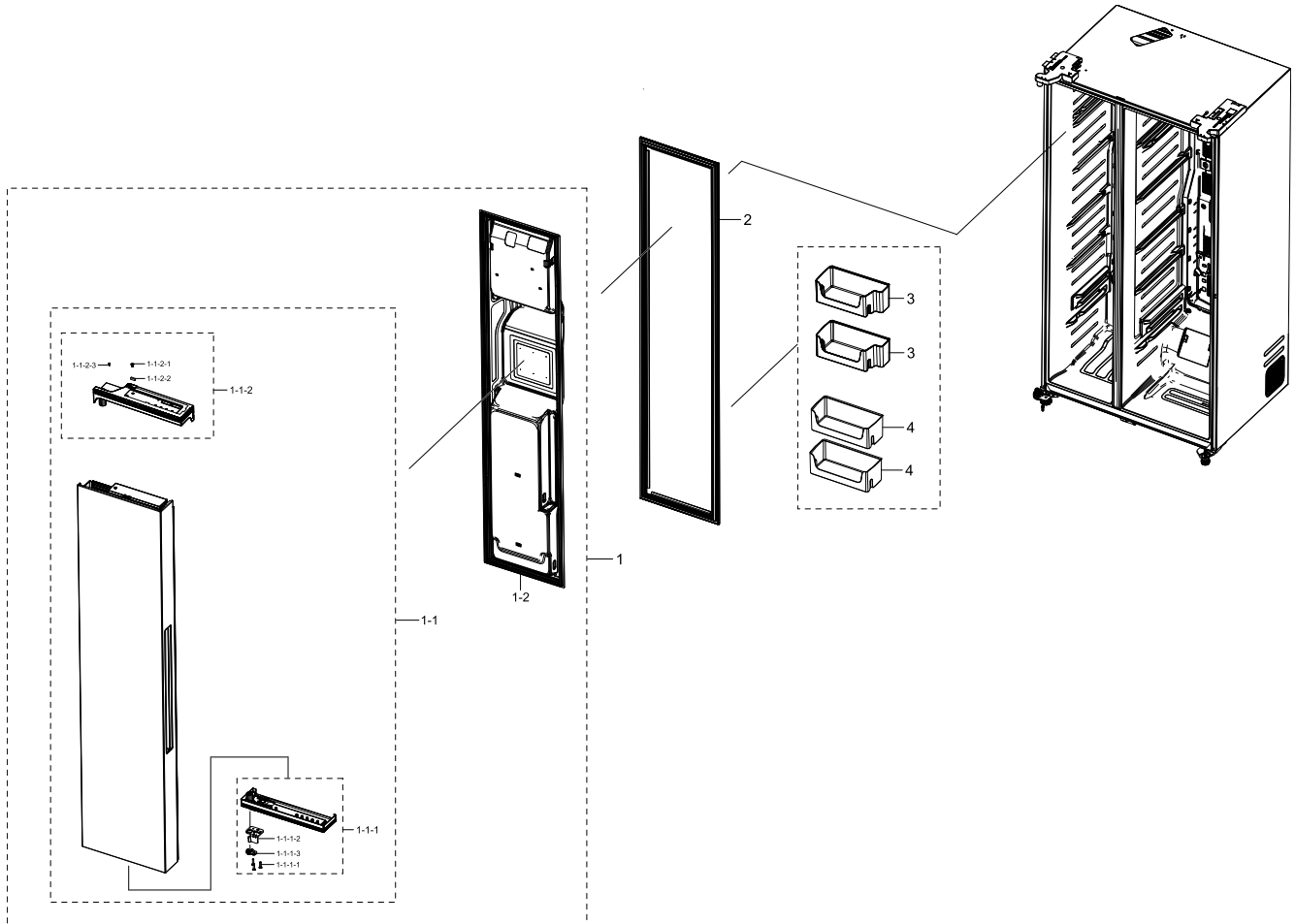
Parts List

No.	Lvl.	Loc.	Material Code	Description & Specification	SNA	Qty.
1	2	M0489	DA27-00057B	COIL FILTER; 22mH,82x60x1.6mm,4A,680nF,48	SA	1
2	2	A0562	DA39-20389L	ASSY WIRE HARNESS-EARTH; EARTH,ALL,,,,,FR	SA	1
3	2		DA60-00279A	FITTING-LOKRING 16; SUM23,16, 11SMnPb30K	SA	1
4	2		DA60-00280A	FITTING-LOKRING 33; SUM23,33, 11SMnPb30K	SA	1
5	2		DA60-00281A	FITTING LOKRING; SUM23,ID5.02,11SMnPb30K,	SA	1
6	2		DA62-05304A	SEAL GUIDE PIPE; RS8000NC,PE FOAM,T20,B,F	SNA	1
7	2	A0669	DA62-04309A	DRYER; C1220T-H,L137,SINGLE MOUTH,For VAL	SA	1
8	2		DA62-04678B	VALVE STEP; DC12V,MODULE,2WAY,RIGHT/RIGHT	SA	1

No.	Lvl.	Loc.	Material Code	Description & Specification	SNA	Qty.
9	2		DA62-05167A	PIPE CONNECT-SUCTION; RS8000NC,Cu,OD6.35,	SA	1
10	2	M0076	DA97-19123A	ASSY COVER COMP; RS8000NC,GI-SGCC,T0.25	SA	1
11	2	A0523	DA73-10190U	PIPE-CONNECT DISC,B; ALL,Cu,C1220T,OD6.35	SA	1
12	2	M0067	DA97-04049D	ASSY CAP-DRAIN; AW,ASSY,-,L224.5,-,FIXE	SA	1
12-1	3	A0336	DA61-05021A	FIXER-DRAIN; HAEMIL,PP,T0.6,CARMEN WINE,B	SA	1
12-2	3		DA63-02761A	GROMMET-DRAIN; RS18RK,NBR,-,-,-,-,BLK,-	SA	1
12-3	3	A0492	DA67-01301A	CAP-DRAIN; AW4,HIPS,HB,S834S1,NATURAL	SA	1
13	2		DA97-18856A	ASSY CAP DRAIN; RQ9500M	SA	1
13-1	3	A0336	DA61-05021A	FIXER-DRAIN; HAEMIL,PP,T0.6,CARMEN WINE,B	SA	1
13-2	3		DA63-02761A	GROMMET-DRAIN; RS18RK,NBR,-,-,-,-,BLK,-	SA	1
13-3	3	A0492	DA67-01301A	CAP-DRAIN; AW4,HIPS,HB,S834S1,NATURAL	SA	1
14	2		DA97-19448A	ASSY CHASSIS; RS8000NC	SNA	1
14-1	3	A0526	DA97-19127A	ASSY CHASSIS COMP; RS8000NC,GI-SGCC,1.2	SA	1
14-1-1	4	A0527	DA61-04703A	CASTER-REAR; AW-PJT,PP,BLACK,PP M/B(0103-	SA	2
14-1-2	4	M0212	DA66-00649B	SHAFT-CASTER; POLARIS,MSWR10,L44,ID8.0,OD	SA	2
14-2	3	A0529	DA97-19128A	ASSY TRAY DRAIN WATER; RS8000NC	SA	1
14-2-1	4	G0412	6002-000213	SCREW-TAPPING; TH,+,1,M4,L12,ZPC(WHT),SWR	SNA	2
14-2-2	4		DA60-00321A	FITTING-LOKRING AL 12; AL,LOKRING 5 N AL	SNA	2
14-2-3	4	M0116	DA97-17321A	ASSY SUPPORT-CIRCUIT MOTOR; RR7000M,C150Q	SA	1
14-2-3-1	5	A0768	DA61-20128A	SPRING ETC-FAN; STS304,PI8.8,ID7.8,OD9.8,	SNA	1
14-2-4	4		DA97-20140A	ASSY PIPE IMMERSING; RS8000NC,TSW,OD4.76,	SA	1
14-2-5	4		DA97-20131A	ASSY PIPE IMMERSING; RS8000NC,TSW,OD4.76,	SA	1
15	2		NF54M5151ARAK3	CMP,COMP,REFRIGERATOR,R-600A; CMP,COMP,REFRIGERATOR,R-600A		1
15-1	3	A0564	6011-004061	BOLT-HEX; M6,L43.6,SWRCH10A	SNA	4
15-2	3	Z1112	DA63-02617C	GROMMET COMP; NN34J9902AP,IIR,ALL BLACK,H	SNA	4
15-3	3	Z1032	DA63-06122A	COVER RELAY; MSV,MPPO,T2,BLACK,V-0	SA	1

5. Freezer Door

Exploded View



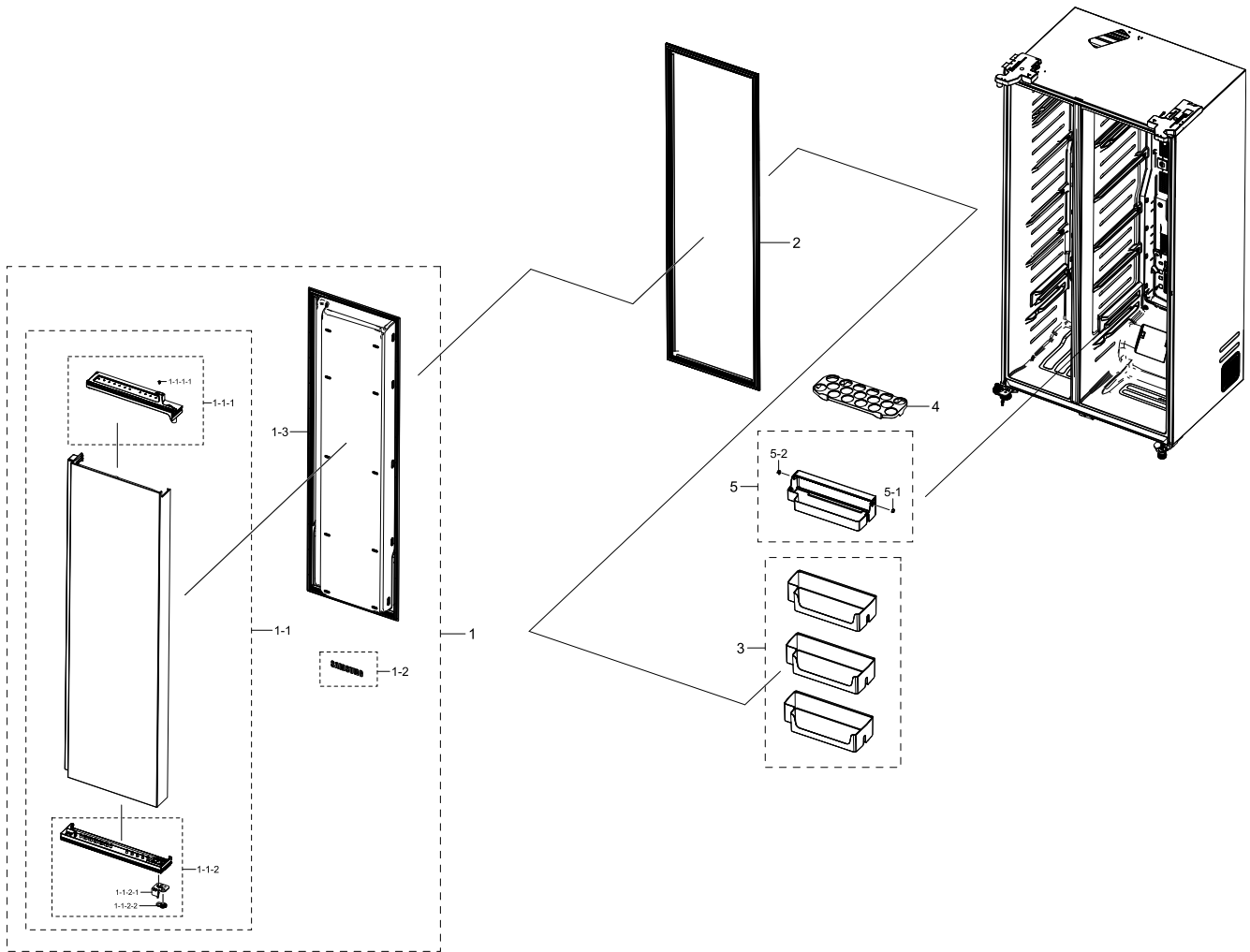
Parts List

No.	Lvl.	Loc.	Material Code	Description & Specification	SNA	Qty.
1	2	M0063	DA91-04877C	ASSY DOOR FOAM-FRE; RS8000NC,WW,FRE, BAR,	SA	1
1-1	3		DA97-19171C	ASSY PLATE DOOR-FRE; RS8000NC,NO DISP,BAR	SNA	1
1-1-1	4	A0047	DA97-19263B	ASSY CAP DOOR-FRE LOW; RS8000NC,2DOOR,3DO	SNA	1
1-1-1-1	5	A0848	6001-001377	SCREW-MACHINE; TH,+,M5,L25,ZPC(WHT),SWRCH	SNA	3
1-1-1-2	5		DA61-07527A	STOPPER-DOOR FRE LOW; POLARIS,PO-SPHC,T4.	SA	1
1-1-1-3	5	M0265	DA66-00558B	CAM HINGE-RISER UPP L; POLARIS,PA66,BLACK	SA	1
1-1-2	4		DA97-19291C	ASSY CAP DOOR-FRE UP; RS8000NC,WHITE,2DOO	SNA	1

No.	Lvl.	Loc.	Material Code	Description & Specification	SNA	Qty.
1-1-2-1	5		DA67-02795C	CAP-SHAFT HOLE; AW3,ABS,HG-0760GP,SNOW WH	SA	1
1-1-2-2	5	A0534	DA61-03769A	MAGNET-A; HERMES,FERRITE,1600Gauss	SNA	1
1-1-2-3	5	G0412	6002-001547	SCREW-TAPPING; FH,+,NO,1,M4,L10,ZPC(WHT),	SA	1
1-2	3		DA64-05789A	PANEL-FRE; RS8000NC,HIPS,W339.2,L1647.5,R	SNA	1
2	2		DA97-19850W	ASSY GASKET-FRE; RS8000,L1647.5 W344.5,GR	SA	1
3	2		DA97-19099A	ASSY GUARD-FRE UP; RS8000NC,Basic	SA	2
4	2		DA97-19122A	ASSY GUARD-FRE; RS8000NC	SA	2

6. Fridge Door

Exploded View



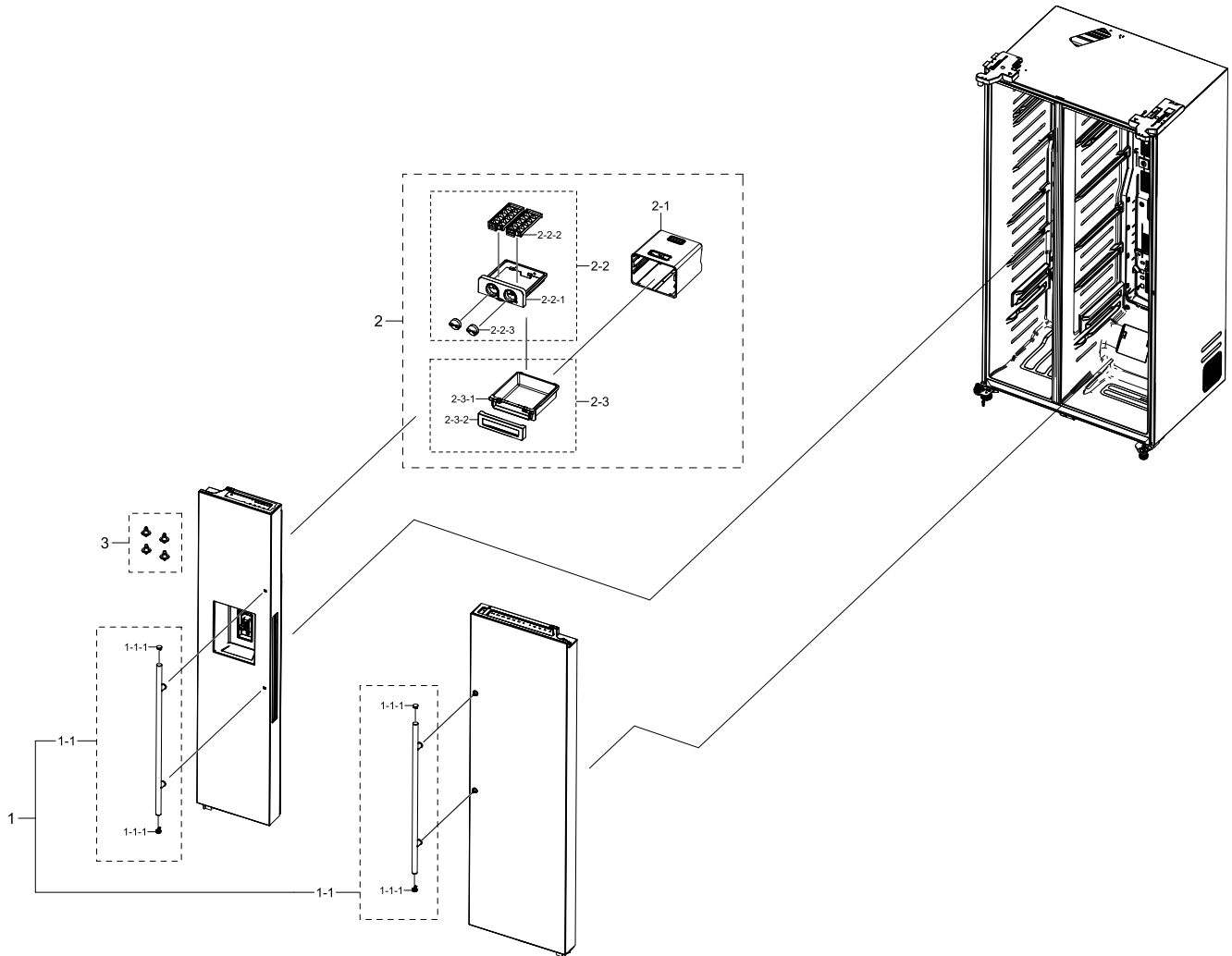
Parts List

No.	Lvl.	Loc.	Material Code	Description & Specification	SNA	Qty.
1	2	Z1100	DA91-04891G	ASSY DOOR FOAM-REF; RS8000NC/BASIC,WW,2D,	SA	1
1-1	3		DA97-19176D	ASSY PLATE DOOR-REF; RS8000NC,BAR,SNOW WH	SNA	1
1-1-1	4		DA97-19265C	ASSY CAP DOOR-REF UP; RS8000NC,WHITE,2DOO	SNA	1
1-1-1-1	5		DA67-02795C	CAP-SHAFT HOLE; AW3,ABS,HG-0760GP,SNOW WH	SA	1
1-1-2	4	A0048	DA97-19270A	ASSY CAP DOOR-REF LOW; RS8000NC,CNTK-A204	SNA	1
1-1-2-1	5	A1017	DA61-07526A	STOPPER-DOOR REF LOW; POLARIS,PO-SPHC,T4.	SA	1
1-1-2-2	5	G0554	DA66-00557A	CAM HINGE-RISER UPP R; GUGGENHEIM,PA66,BL	SA	1

No.	Lvl.	Loc.	Material Code	Description & Specification	SNA	Qty.
1-2	3	M0196	DA64-04021C	MASCOT; ALL,Ni,T0.06,L90	SA	1
1-3	3		DA64-05767B	PANEL-REF; RS8000NC,HIPS,W462.8,L1647.5,R	SA	1
2	2		DA97-19850V	ASSY GASKET-REF; RS8000,,L1647.5 W469.5,G	SA	1
3	2		DA97-19097A	ASSY GUARD-REF UP; RS8000NC	SA	3
4	2	Z1106	DA67-40322A	TRAY-EGG; SR-51.55.59,GPPS,BLUE	SA	1
5	2	A0636	DA97-19102A	ASSY GUARD DAIRY; RS8000NC	SA	1
5-1	3		DA67-02920A	CAP-HINGE DAIRY R; HERMES,POM,K300,NATURA	SA	1
5-2	3		DA67-02921A	CAP-HINGE DAIRY L; HERMES,POM,K300,NATURA	SA	1

7. Assy Handle Kit

Exploded View



Parts List

No.	Lvl.	Loc.	Material Code	Description & Specification	SNA	Qty.
1	2		DA97-19219C	ASSY HANDLE-KIT; RS8000NC,SNOW WHITE	SNA	1
1-1	3		DA97-05075M	ASSY-HANDLE BAR REF; HERMES,AL(A6063), HA	SA	2
1-1-1	4		DA67-02024D	CAP-HANDLE SIDE; CORE,ABS,-,-,SNOW-WHIT	SA	4
2	2	A0107	DA97-04084B	ASSY TRAY-ICE; HERMES,NEXT,TWIST	SA	1
2-1	3	M0435	DA61-02863A	SUPPORT ICE MAKER; NEXT,HIPS,HB,S834S1,CO	SA	1
2-2	3	M0436	DA97-04081A	ASSY-FIXER TRAY ICE; NEXT,TWIST	SA	1
2-2-1	4	M0437	DA61-02864A	FIXER-TRAY,ICE; NEXT,HIPS,T2.5,COOL WHITE	SNA	1
2-2-2	4	A0120	DA63-00819B	TRAY ICE; A-TOP,PPT1,HB,COOL WHITE	SA	2

No.	Lvl.	Loc.	Material Code	Description & Specification	SNA	Qty.
2-2-3	4	A0118	DA64-00158B	KNOB-TRAY ICE; A-TOP,HIPS,Cool-white,SC-0	SA	2
2-3	3	M0439	DA97-04082A	ASSY CASE-TRAY,ICE; NEXT,-,-,-,TWIST	SA	1
2-3-1	4	M0440	DA61-02865A	CASE TRAY-ICE; NEXT,PP,NATURAL,TWIST	SNA	1
2-3-2	4	M0441	DA63-03151A	COVER-TRAY,ICE; NEXT,HIPS,HB,COOL WHITE,T	SNA	1
3	2		DA97-05529C	ASSY-BRACKET HANDLE; HREMES-PJT,SWCH10A,-	SA	4