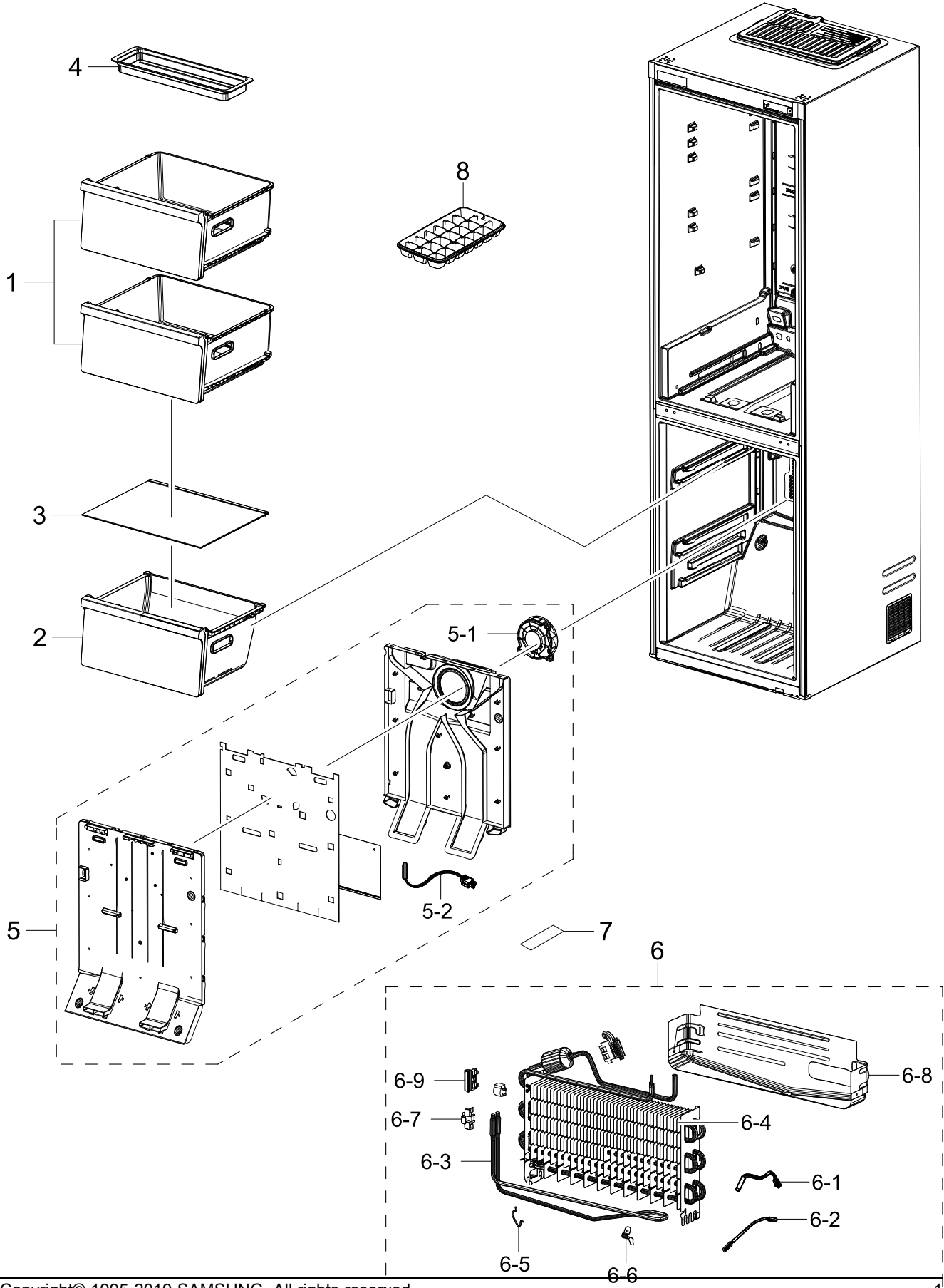


1. Freezer

Exploded View

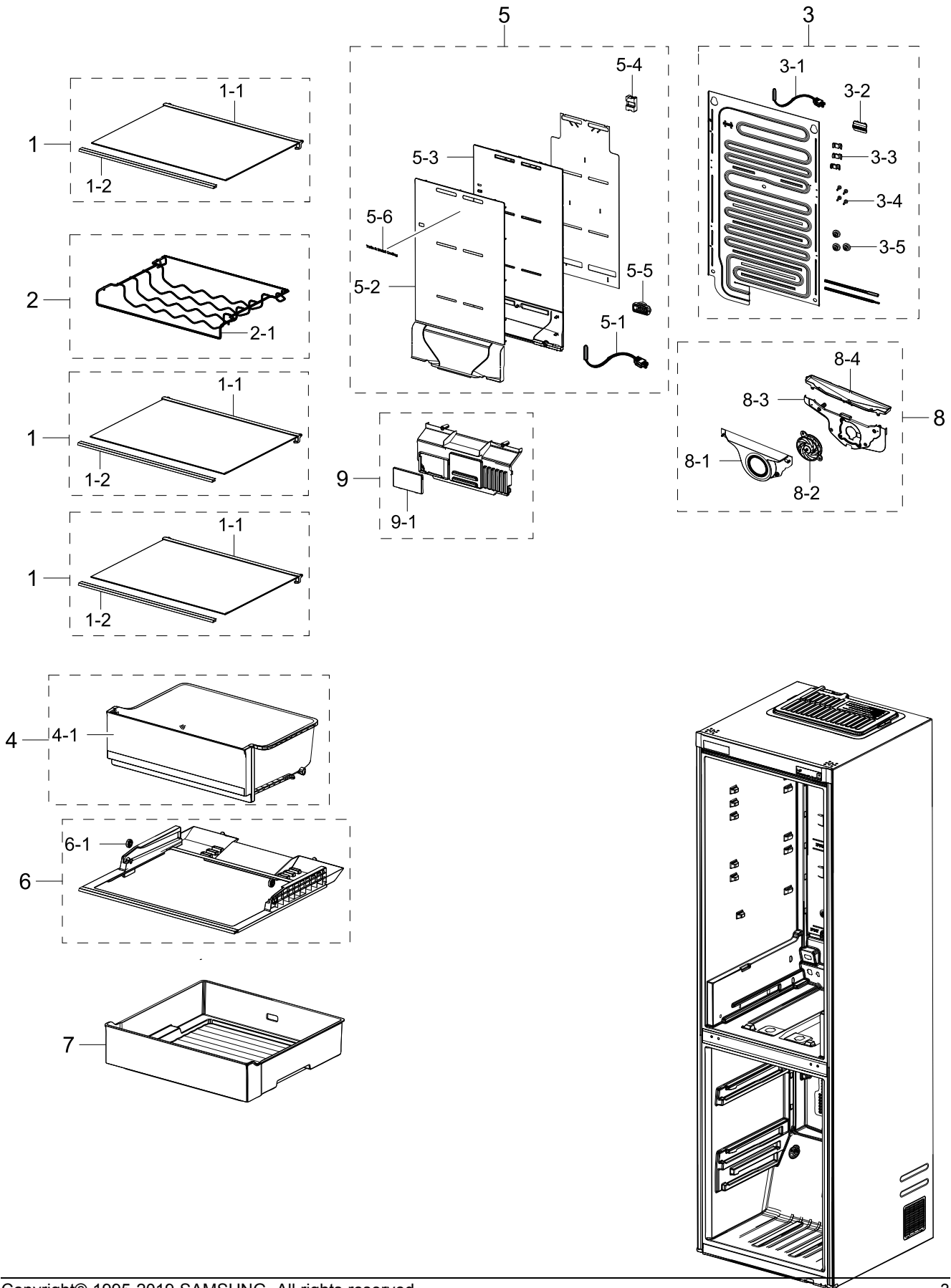


Parts List

No.	Lvl.	Loc.	Material Code	Description & Specification	SNA	Qty.
1	2		DA97-15512C	ASSY CASE BASKET-FRE UP; RB7000R,BK60, BK	SA	2
2	2		DA97-15510C	ASSY CASE BASKET-FRE LOW; RB7000R,BK60, B	SA	1
3	2	M0351	DA97-15541A	ASSY SHELF-FRE; BK7000	SA	1
4	2		DA63-08120A	TRAY ICE-CUBE; RB7000J,GPPS,T2.5,HB,TP BL	SA	1
5	2	M0303	DA97-15501A	ASSY COVER EVAP-FRE; RB7000J,A++,A+++	SA	1
5-1	3		DA31-00334C	MOTOR BLDC FAN; 12035GE-12M-YT,1775 7%,1	SA	1
5-2	3	A1018	DA32-00033E	SENSOR TEMP; 502AT,DKST1329GW,MAX4,-40~11	SA	1
6	2	A0163	DA96-01117D	ASSY EVAP-FRE; RB7000J,230V,150W	SA	1
6-1	3	A1018	DA32-00006D	SENSOR TEMP; PX-41C,502AT,DKST1329GW,EXPO	SNA	1
6-2	3	A1008	DA47-00301D	THERMO FUSE-ASSY; AC250V,10A,109~110S	SA	1
6-3	3		DA47-00474A	HEATER METAL SHEATH; AC230V,GANDCRU FRE,	SNA	1
6-4	3		DA59-00573A	EVAPORATOR-FRE; Fin Tube,RB7000J,2,A1070,	SNA	1
6-5	3		DA61-02526A	FIXER-EVAP FRE,SUB; NEXT,AL,2.0,-,-	SNA	1
6-6	3	M9010	DA61-03644A	PLATE-EVAP HEATER; AW-PJT,A1,T0.7	SA	1
6-7	3	G0205	DA61-07410A	FIXER-HEATER FRE; NW2,PP,NATURAL,BJ750	SA	2
6-8	3		DA61-08936C	PLATE DRAIN-FRE; 3050,A1,T0.3,A3003	SNA	1
6-9	3	A0744	DA61-07411A	FIXER-FUSE; NW2,PP,NATURAL,BJ750	SA	1
7	2		DA72-60040W	SEAL-CUTT RUBBER; TD-PJT,RUBBER,BLACK,T5,	SA	2
8	2	A0120	DA63-06164A	TRAY ICE; 410DNT, BK,PP,T2.5,HB,COOL WHIT	SA	1

2. Refrigerator

Exploded View



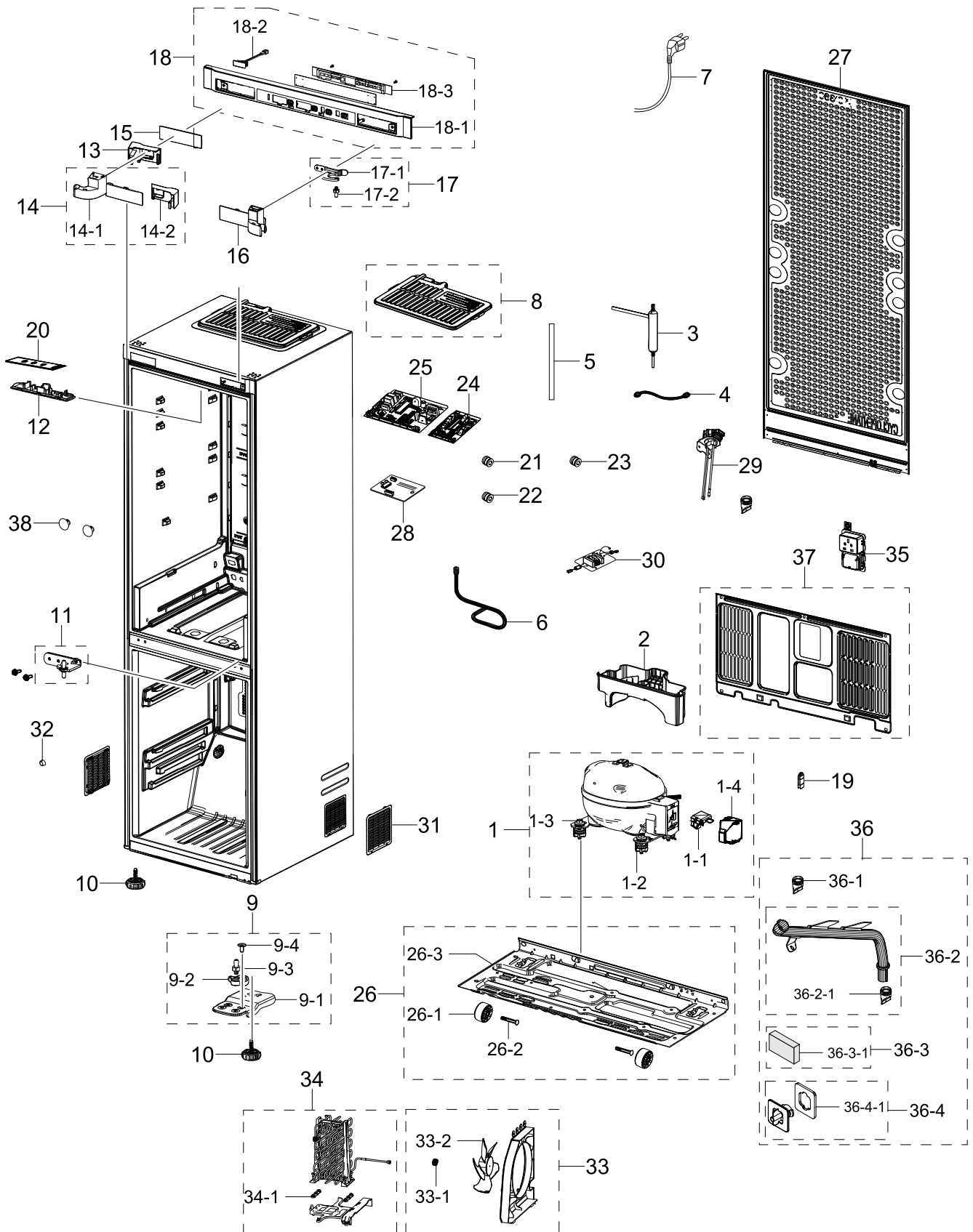
Parts List

No.	Lvl.	Loc.	Material Code	Description & Specification	SNA	Qty.
1	2	A0186	DA97-15540A	ASSY SHELF-REF; BK7000	SA	3
1-1	3	Z1107	DA67-03996A	SHELF-REF; BK7000,PP,COOL WHITE,EP448T	SNA	3
1-2	3		DA64-04407P	TRIM SHELF-FRONT; TRIM SHELF FRONT(REF),A	SNA	3
2	2		DA97-15743A	ASSY RACK WINE; RB7000J,ASSY	SNA	1
2-1	3		DA75-00351A	RACK WINE; BK7000,,MSWR70,OD6.0,507.7,376	SA	1
3	2	A0184	DA96-01112A	ASSY EVAP-REF; RB5000J,ROLL BOND	SA	1
3-1	3	A1018	DA32-00011X	SENSOR TEMP; PX-41C,502AT,DKST1329,MT-PJT	SA	1
3-2	3		DA61-10518A	FIXER SENSOR; RB5000J,PP,T0.5,NATURAL,EP4	SA	1
3-3	3		DA61-10519A	FIXER WIRE; RB5000J,PP,NATURAL,EP448T	SA	3
3-4	3	M2002	DA63-40167A	GROMMET-COVER CHIL; SI,L16,WHITE	SA	4
3-5	3	M0181	DA63-01563A	GROMMET-SUB COND; BBC-PJT,NBR,-	SA	3
4	2		DA97-15516C	ASSY CASE VEG-UP; RB7000R,BK60, BK65	SA	1
4-1	3		DA97-15520C	ASSY COVER VEG-UP; RB7000R,Printing, Hot	SA	1
5	2	Z1177	DA97-20183A	ASSY COVER EVAP-REF; RB7000J,2010, METAL	SA	1
5-1	3	A1018	DA32-00011W	SENSOR TEMP; PX-41C,MT-PJT,-40~1105V,	SA	1
5-2	3		DA61-10531A	PLATE COOLING-REF; RB7000J,Al,T0.5	SNA	1
5-3	3		DA63-08066A	COVER EVAP-REF; RB7000J,PP,T2,HB,COOL WHI	SNA	1
5-4	3		DA62-04553A	INSULATION DUCT-SUB; EPS,WHITE	SNA	1
5-5	3		DA63-07761A	GROMMET FIXER; RF-H920G,RUBBER,BLACK	SA	1
5-6	3		DA64-04618A	INLAY; MOUTON13,PET,-,In Evaporation	SA	1
6	2		DA97-15542A	ASSY SHELF COVER VEG; BK7000	SA	1
6-1	3		DA66-10104A	ROLLER-FRE; POM,D22,NATURAL	SNA	2
7	2	M0300	DA97-15514E	ASSY CASE VEG-LOW; RB7000R,BK60, A+++, No	SA	1
8	2		DA97-15460B	ASSY CASE MOTOR-REF; RB7000J	SA	1
8-1	3		DA61-10409A	CASE MOTOR-REF; RB5000J,ABS,Black,CNTKA-2	SA	1
8-2	3		DA31-00334C	MOTOR BLDC FAN; 12035GE-12M-YT,1775 7%,1	SA	1
8-3	3		DA61-10405A	BRACKET MOTOR-REF A; RB5000J,ABS,Black,CN	SA	1
8-4	3		DA61-10411A	PLATE DRAIN-REF; RB5000J,ABS,BLACK,HB,CNT	SA	1

No.	Lvl.	Loc.	Material Code	Description & Specification	SNA	Qty.
9	2	A0678	DA97-15509B	ASSY COVER DAMPER-REF; RB7000J	SA	1
9-1	3		DA63-08316A	COVER CONVERTIBLE-MULTI; BK,3050,PP,HB,CO	SA	1

3. Cabinet

Exploded View



Parts List

No.	Lvl.	Loc.	Material Code	Description & Specification	SNA	Qty.
1	2		NC4MVA1ALP/TT1	CMP,COMP,REFRIGERATOR,R-600A; CMP,COMP,REFRIGERATOR,R-600A		1
1-1	3	A0575	DA34-00004D	RELAY PROTECTOR O/L; 4TM445PHBYY-82,BLDC,	SA	1
1-2	3	Z1112	DA63-02617A	GROMMET COMP; USP05,EPDM,OD27.0,BLACK	SA	4
1-3	3	A0564	6011-004061	BOLT-HEX; M6,L43.6,SWRCH10A	SNA	4
1-4	3	Z1032	DA63-06122A	COVER RELAY; MSV,MPPPO,T2,BLACK,V-0	SA	1
2	2	A0529	DA97-15474A	ASSY TRAY DRAIN WATER; RB5000J,STEP VALVE	SA	1
3	2	A0669	DA62-04309A	DRYER; C1220T-H,L137,SINGLE MOUTH,For VAL	SA	1
4	2	A0562	DA39-20389A	ASSY WIRE HARNESS-EARTH; EARTH,ALL,,,,,FR	SA	1
5	2	A0523	DA73-10190U	PIPE-CONNECT DISC,B; ALL,Cu,C1220T,OD6.35	SA	1
6	2		DA62-04537A	PIPE SUCTION-CONNECT; RB7000J,Cu,C1220T-O	SA	1
7	2	A0273	3903-000797	POWER CORD-AT; H05VV-F 3x0.75mm2,BLK,EU3F	SA	1
8	2		DA97-15723A	ASSY COVER PBA; BK-PJT	SA	1
9	2	M0344	DA97-15453A	ASSY HINGE-LOW; BK65,60	SA	1
9-1	3	A0247	DA61-10472A	HINGE-LOW; BK65,60,PO-SPHC,T4	SNA	1
9-2	3		DA61-10451A	GUIDE-FRE; BK65,PA66,HB,KN333G15,BLACK	SNA	1
9-3	3	A0518	DA66-00385A	SHAFT-HINGE; CORE,SWRCH10A,NATURAL,ZPC3(W	SA	1
9-4	3	A0848	DA81-01532A	SCREW-MACHINE; BH,+,M5,L12.7,ZPC(WHT),SWR	SA	1
10	2	Z1128	DA61-07546B	LEG-FRONT; GRAND CRU,PP,BLACK,RM60,PP Scr	SA	2
11	2		DA97-15452A	ASSY HINGE-MIDDLE; BK65	SA	1
12	2	A0280	DA63-08072A	COVER LAMP; ABS+PMMA,HB,COOL WHITE,HG-076	SA	1
13	2		DA67-04019A	CAP SPACE-DOOR LEFT; BK-PJT,ABS,HB,HG-076	SA	1
14	2		DA91-04459A	ASSY INSTALL-ACCESSORY; INOX GRAY	SA	1
14-1	3		DA63-08060A	COVER WIRE-HINGE LEFT; BK-PJT,ABS,HB,INOX	SA	1
14-2	3		DA67-04020A	CAP SPACE-DOOR RIGHT; BK-PJT,ABS,HB,HG-07	SA	1
15	2		DA61-08932A	CAP CONTROL-PANEL; 3050,ABS,HB,HG-0760GP,	SA	1
16	2		DA63-08058A	COVER WIRE-HINGE RIGHT; BK-PJT,ABS,HB,INO	SA	1

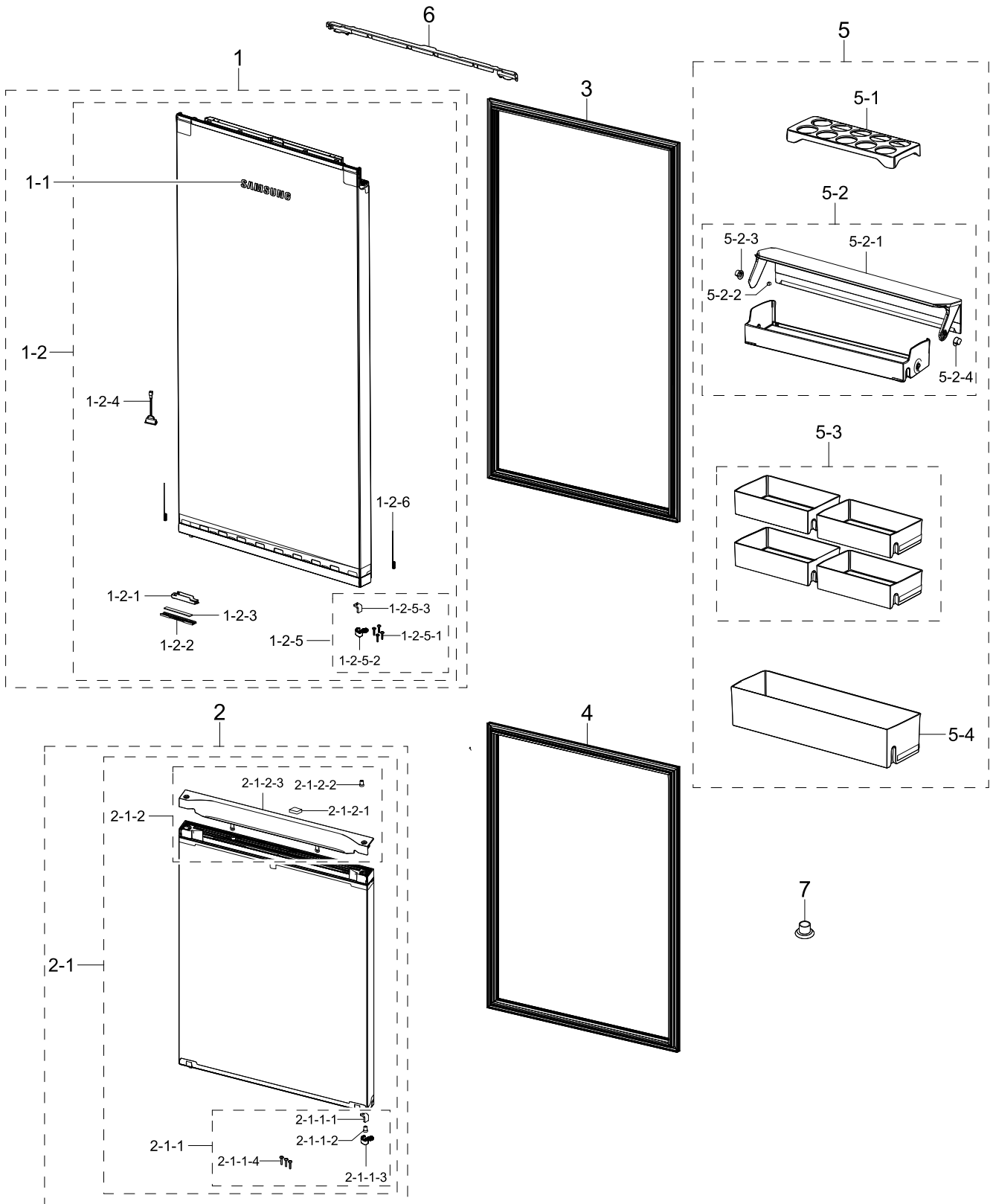
Exploded Views and Parts List

No.	Lvl.	Loc.	Material Code	Description & Specification	SNA	Qty.
17	2		DA97-15464A	ASSY HINGE-UP; BK-PJT	SA	1
17-1	3		DA97-15465A	ASSY HINGE-SUB; BK-PJT,Electrostatic pain	SNA	1
17-2	3	A0518	DA66-00385A	SHAFT-HINGE; CORE,SWRCH10A,NATURAL,ZPC3(W	SA	1
18	2	A0904	DA97-15431M	ASSY COVER CONTROL-FRONT; BK Relaunch,Int	SA	1
18-1	3		DA63-08052A	COVER CONTROL-FRONT; BK,ABS,T2,HB,INOX GR	SA	1
18-2	3	G0068	DA34-00043A	SWITCH REED; UL1007 AWG 22,100mm,DEM1-B50	SA	1
18-3	3		DA92-00704D	ASSY MODULE; 7-SEG, MATRIX,RB7000R,WHITE	SA	1
19	2		DA63-08943A	GROMMET; BRR9000M,NBR,CAPI GROMMET	SA	1
20	2		DA96-01119A	ASSY LAMP LED; 3EA,FR-4,150*12,WHITE,SMAW	SA	1
21	2		DA60-00279A	FITTING-LOKRING 16; SUM23,16, 11SMnPb30K	SA	1
22	2		DA60-00280A	FITTING-LOKRING 33; SUM23,33, 11SMnPb30K	SA	1
23	2		DA60-00281A	FITTING LOKRING; SUM23,ID5.02,11SMnPb30K,	SA	1
24	1		DA92-00228F	ASSY PCB INVERTER; INVERTER,ARAM,148*98.5	SA	1
25	1		DA94-04776A	ASSY PCB EEPROM; 0X15,D603,D605,RB7000R,A	SA	1
26	2	A0526	DA97-15476A	ASSY CHASSIS COMP; BK(7000,8000),C-FAN,CO	SA	1
26-1	3	A0527	DA61-06202A	CASTER-REAR; GRAND-CRU,PP,NATURAL	SA	2
26-2	3	A0861	DA60-90146A	PIN-CASTER; SR-289-429,MSWR10,L38,ZPC2	SA	2
26-3	3		DA97-15648A	ASSY CHASSIS SUB COMP; BK(7000,8000),SUB	SNA	1
27	2		DA97-15546E	ASSY CABI REAR; BK-PJT / 2010MM,,RB410/36	SNA	1
28	2		DA92-00701A	ASSY PCB SUB; RELAY PBA,RB5000J, BK60,60.	SA	1
29	2		DA62-04678B	VALVE STEP; DC12V,MODULE,2WAY,RIGHT/RIGHT	SA	1
30	2	M0489	DA27-00052A	COIL FILTER; 22mH,82*60,AC 3A,0.47uF / 0.	SA	1
31	2		DA63-08062A	COVER UNIT; BK,ABS,HB,INOX GRAY,HG-0760GP	SA	2
32	2		DA67-03725A	CAP SCREW; 3050,PP,HB,INOX GRAY	SA	1
33	2	M0116	DA97-15301B	ASSY SUPPORT-CIRCUIT MOTOR; GRAN CRU,C-15	SA	1
33-1	3	A0768	DA61-20128A	SPRING ETC-FAN; STS304,PI8.8,ID7.8,OD9.8,	SNA	1
33-2	3		DA31-00339A	MOTOR BLDC FAN; ARCS2088RA,1230 RPM,12V,1	SNA	1

No.	Lvl.	Loc.	Material Code	Description & Specification	SNA	Qty.
34	2	G0270	DA97-12330B	ASSY PIPE-CONDENSER; GRAND CRU, SPIRAL, AL	SA	1
34-1	3	M0181	DA63-40128A	GROMMET-SUB COND; -,NBR,-,-,-,-,-,DARK-	SA	2
35	2		DA61-09324A	HOLDER WIRE; 3050,PP,BLACK,RM60,PP SCRAP	SA	1
36	2	A0137	DA94-04794L	ASSY LINER; BK65Re,2010,TWIN,A+++ ,NO CHEF	SNA	1
36-1	3		DA67-04566A	CAP-HOSE DRAIN; 3050 BMF,NBR,BLACK,RUBBER	SA	1
36-2	3		DA97-15499B	ASSY DRAIN HOSE; BK-PJT,60mm	SNA	1
36-2-1	4		DA67-04566A	CAP-HOSE DRAIN; 3050 BMF,NBR,BLACK,RUBBER	SA	1
36-3	3		DA97-16634A	ASSY PIPE SUCTION; RB5000J,BK, 3050-2m	SNA	1
36-3-1	4		DA62-01018A	SEAL CUTT-RUBBER; RR2500K,RUBBER,BLACK,T5	SA	1
36-4	3		DA97-19607A	ASSY GROMMET; RH9000M,Assy	SNA	4
36-4-1	4		DA61-06328A	SEAL CUTT SPONGE; RH9000M,PU FOAM,Black,T	SA	4
37	2	M0076	DA97-15477A	ASSY COVER COMP; BK65 (RB7000J)	SA	1
38	2		DA67-04049A	CAP HINGE-HOLE; BK,ABS,T2,HB,WT0048,SNOW	SA	2

4. Door

Exploded View



Exploded Views and Parts List

No.	Lvl.	Loc.	Material Code	Description & Specification	SNA	Qty.
5-2	2	A0636	DA97-15479E	ASSY GUARD DAIRY; BK Relaunch,TP GRAY,G-1	SA	1
5-2-1	3		DA63-08045C	COVER DAIRY; BK Relaunch,GPPS,HB,TP GRAY,	SNA	1
5-2-2	3		DA63-07538A	GROMMET-A; MOUTON12,Si,COOL WHITE,NAME TA	SA	2
5-2-3	3		DA67-02920A	CAP-HINGE DAIRY R; HERMES,POM,K300,NATURA	SA	1
5-2-4	3		DA67-02921A	CAP-HINGE DAIRY L; HERMES,POM,K300,NATURA	SA	1
5-3	2	A0153	DA63-08038C	GUARD VARIETY; BK Relaunch,GPPS,TP GRAY,G	SA	4
5-4	2	A0151	DA63-08039C	GUARD BOTTLE; BK Relaunch,GPPS,G-116HV/U5	SA	1
6	2		DA63-08057A	COVER WIRE-DOOR; BK-PJT,ABS,HB,INOX GRAY	SA	1
7	2		DA67-04054G	CAP HINGE; ABS,T1.2,HB,HG-0760GP,INOX GRA	SA	1