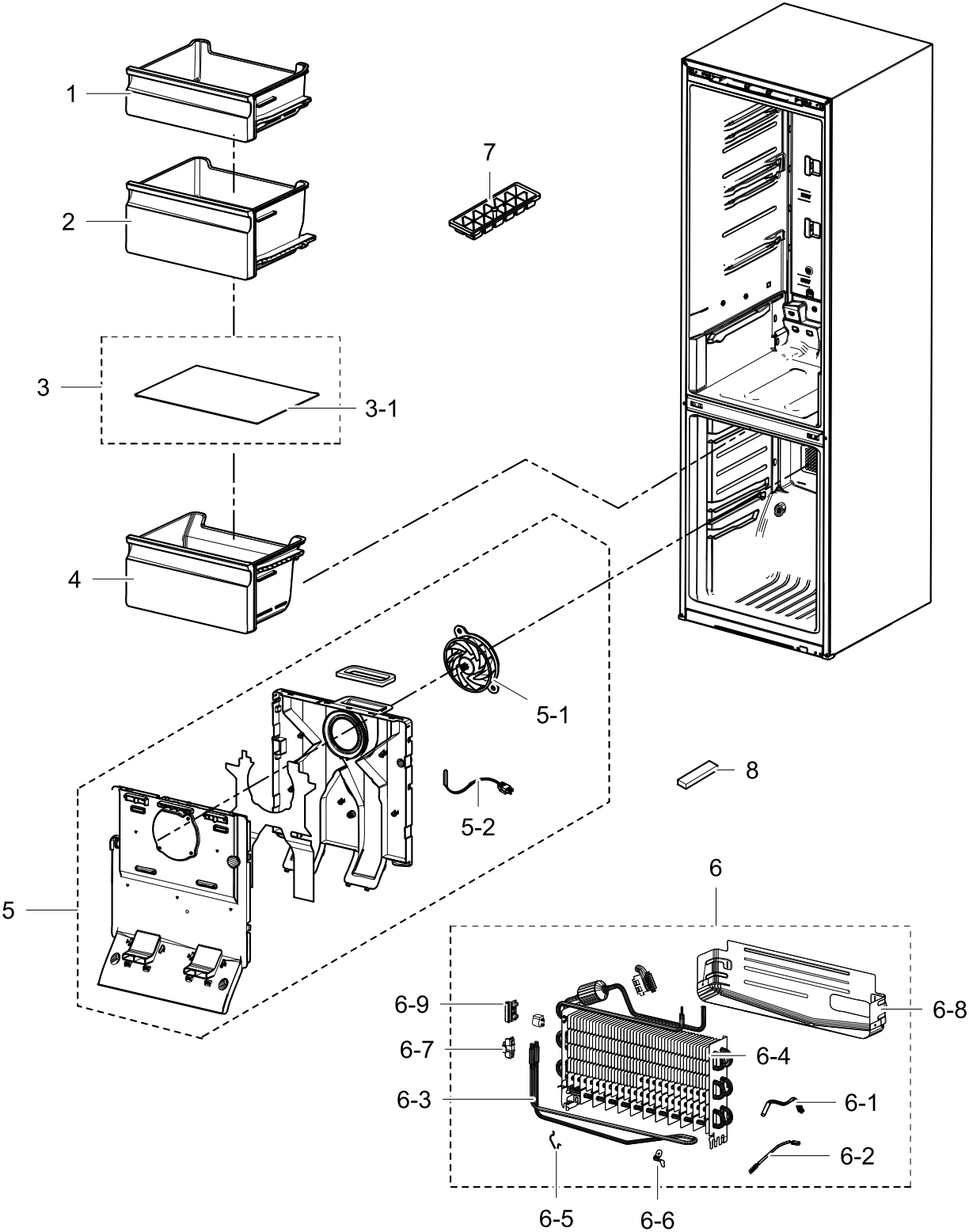


1. Freezer

Exploded View

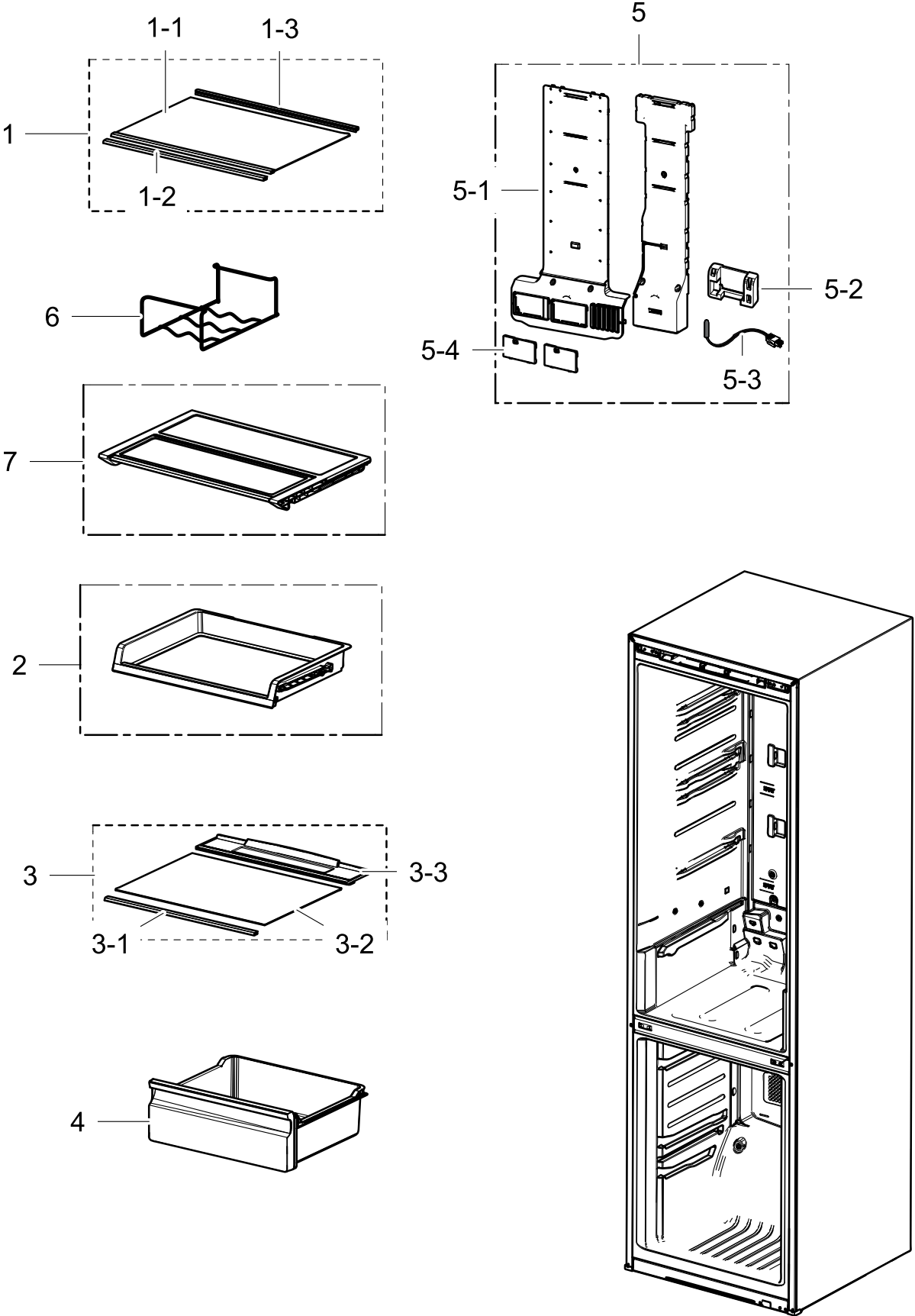


Parts List

| No. | Lvl. | Loc. | Material Code | Description & Specification | SNA | Qty. |
|-----|------|-------|---------------|--|-----|------|
| 1 | 2 | M0121 | DA97-13480A | ASSY TRAY-FRE UPP; 3050,W479.1,L394.3 | SA | 1 |
| 2 | 2 | G0268 | DA97-13472A | ASSY TRAY-FRE MID; 3050,W466.3,H227.0 | SA | 1 |
| 3 | 2 | | DA97-15985A | ASSY SHELF GLASS-FRE; RL31/29,NO TRIMS | SA | 1 |
| 3-1 | 3 | A0720 | DA67-03645N | GLASS-SHELF FRE; RL310/290,TEMPERED GLASS | SNA | 1 |
| 4 | 2 | G0267 | DA97-13475A | ASSY TRAY-FRE LOW; 3050,W466.2 | SA | 1 |
| 5 | 2 | M0303 | DA97-13570A | ASSY COVER EVAP-FRE; 3050,NATURAL | SA | 1 |
| 5-1 | 3 | | DA31-00334A | MOTOR BLDC FAN; 12035GE-12M-YT-F1,17757 | SA | 1 |
| 5-2 | 3 | A1018 | DA32-10105X | SENSOR TEMP; PX-41C,502AT,DKST1329GW,QUEE | SA | 1 |
| 6 | 2 | A0163 | DA96-01009C | ASSY EVAP-FRE; 3050-BMF | SA | 1 |
| 6-1 | 3 | A1018 | DA32-00006D | SENSOR TEMP; PX-41C,502AT,DKST1329GW,EXPO | SNA | 1 |
| 6-2 | 3 | A1008 | DA47-00301D | THERMO FUSE-ASSY; AC250V,10A,109~110S | SA | 1 |
| 6-3 | 3 | A0921 | DA47-00460A | HEATER METAL SHEATH; AC230V,3050 BMF, 352 | SA | 1 |
| 6-4 | 3 | A0742 | DA59-00555A | EVAP FRE; FIN TUBE,AL,3050-PJT | SNA | 1 |
| 6-5 | 3 | | DA61-02526A | FIXER-EVAP FRE,SUB; NEXT,AL,2.0,-,- | SNA | 1 |
| 6-6 | 3 | M9010 | DA61-03644A | PLATE-EVAP HEATER; AW-PJT,Al,T0.7 | SA | 1 |
| 6-7 | 3 | G0205 | DA61-07410A | FIXER-HEATER FRE; NW2,PP,NATURAL,BJ750 | SA | 1 |
| 6-8 | 3 | A0754 | DA61-08936A | PLATE-DRAIN; 3050,GI-SGCC,-,T0.3 | SA | 1 |
| 6-9 | 3 | A0744 | DA61-07411A | FIXER-FUSE; NW2,PP,NATURAL,BJ750 | SA | 1 |
| 7 | 2 | A0582 | DA67-40146B | TRAY-ICE; SR-1500,PP,HB,COOL WHITE | SA | 1 |
| 8 | 2 | | DA72-60040W | SEAL-CUTT RUBBER; TD-PJT,BUTYL RUBBER,BLA | SA | 1 |

2. Refrigerator

Exploded View

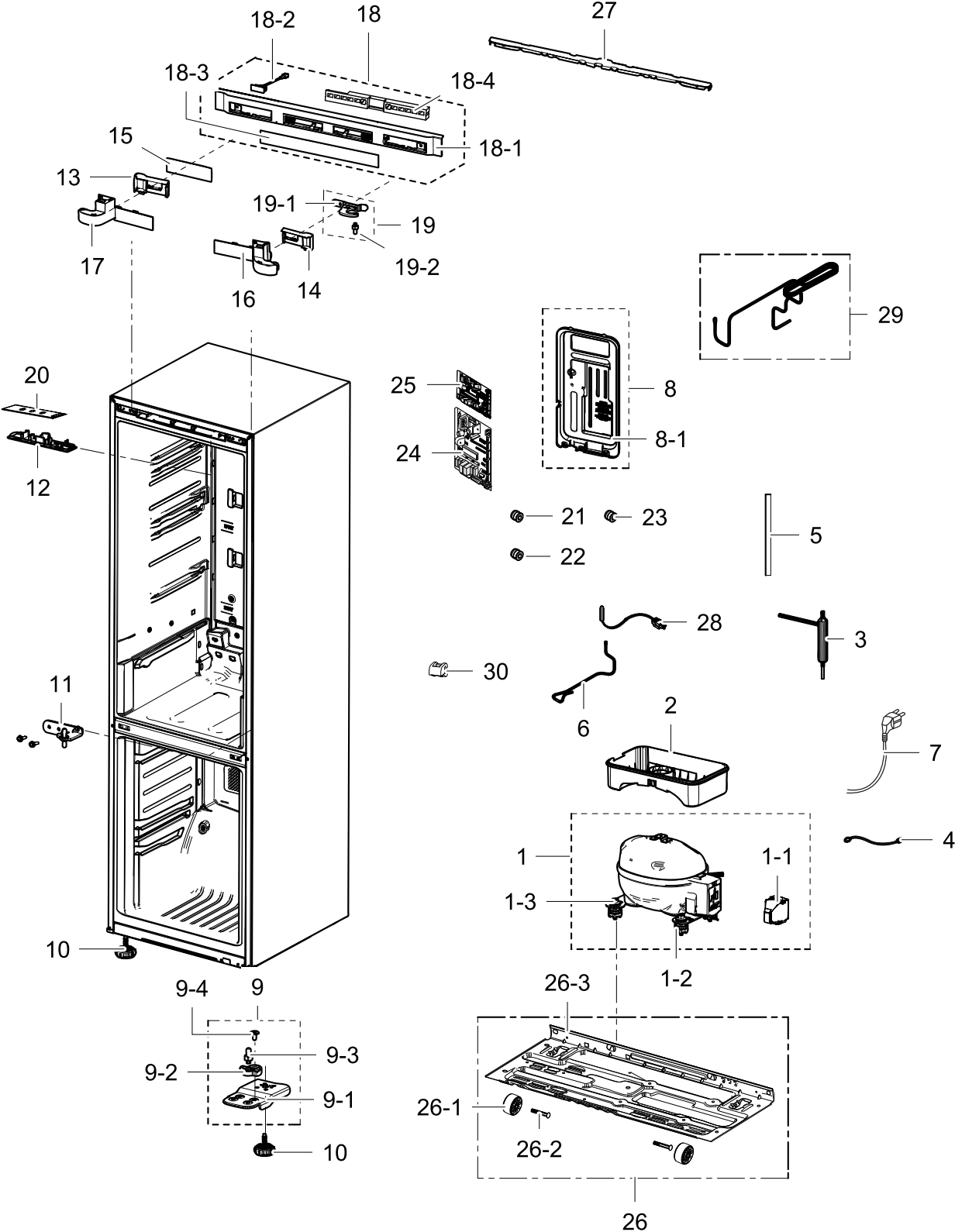


Parts List

| No. | Lvl. | Loc. | Material Code | Description & Specification | SNA | Qty. |
|-----|------|-------|---------------|---|-----|------|
| 1 | 2 | | DA97-13502D | ASSY SHELF GLASS-REF; RL31/29,COOL WHITE | SA | 1 |
| 1-1 | 3 | A0720 | DA67-03645K | GLASS-SHELF REF; RL310/290,TEMPERED GLASS | SNA | 1 |
| 1-2 | 3 | | DA64-04392A | TRIM SHELF-FRONT; RT320,HIPS,S834S1,COOL | SNA | 1 |
| 1-3 | 3 | | DA64-04395A | TRIM SHELF-REAR; RT320,HIPS,S834S1,COOL W | SNA | 1 |
| 2 | 2 | | DA97-13616A | ASSY SHELF SLIDE-OUT; 3050(RL310),HOT STA | SA | 1 |
| 3 | 2 | | DA97-13550A | ASSY SHELF-VEG; RL31/29 BETTER,SHELF VEG | SA | 1 |
| 3-1 | 3 | | DA64-04392D | TRIM SHELF-FRONT VEG; RL31/29,HIPS,HIPS+S | SNA | 1 |
| 3-2 | 4 | A0720 | DA67-03645M | GLASS-SHELF VEG; RL310/290,TEMPERED GLASS | SNA | 1 |
| 3-3 | 3 | | DA67-03652A | SHELF-VEG; RL310/290,ABS,COOL WHITE | SNA | 1 |
| 4 | 2 | M0236 | DA97-13474A | ASSY CASE-VEG LOW; 3050,W479.2,H175,6 | SA | 1 |
| 5 | 2 | G0239 | DA97-13715B | ASSY COVER MULTI-REF; 3050_BMF,RB31, NON | SA | 1 |
| 5-1 | 3 | A0689 | DA63-07480A | COVER-MULTI REF; 3050_BMF,PP,HB,COOL WHIT | SNA | 1 |
| 5-2 | 3 | G0242 | DA31-00043F | MOTOR DC-DAMPER; -,CORE-PJT,Max 60mA,-,-, | SA | 1 |
| 5-3 | 3 | A1018 | DA32-00006N | SENSOR TEMP; PX41C,502AT,DKST1329,TGV,-40 | SC | 1 |
| 5-4 | 3 | | DA63-06337A | COVER-CONV MULTI; GRAND CRU,PP,HB,COOL WH | SA | 2 |
| 6 | 3 | | DA75-00314D | RACK WINE-HALF; 3050-BMF,MSWR70,HALF,elec | SA | 1 |
| 7 | 2 | | DA97-15410B | ASSY SHELF FOLDER; RB5000J | SA | 1 |

3. cabinet

Exploded View



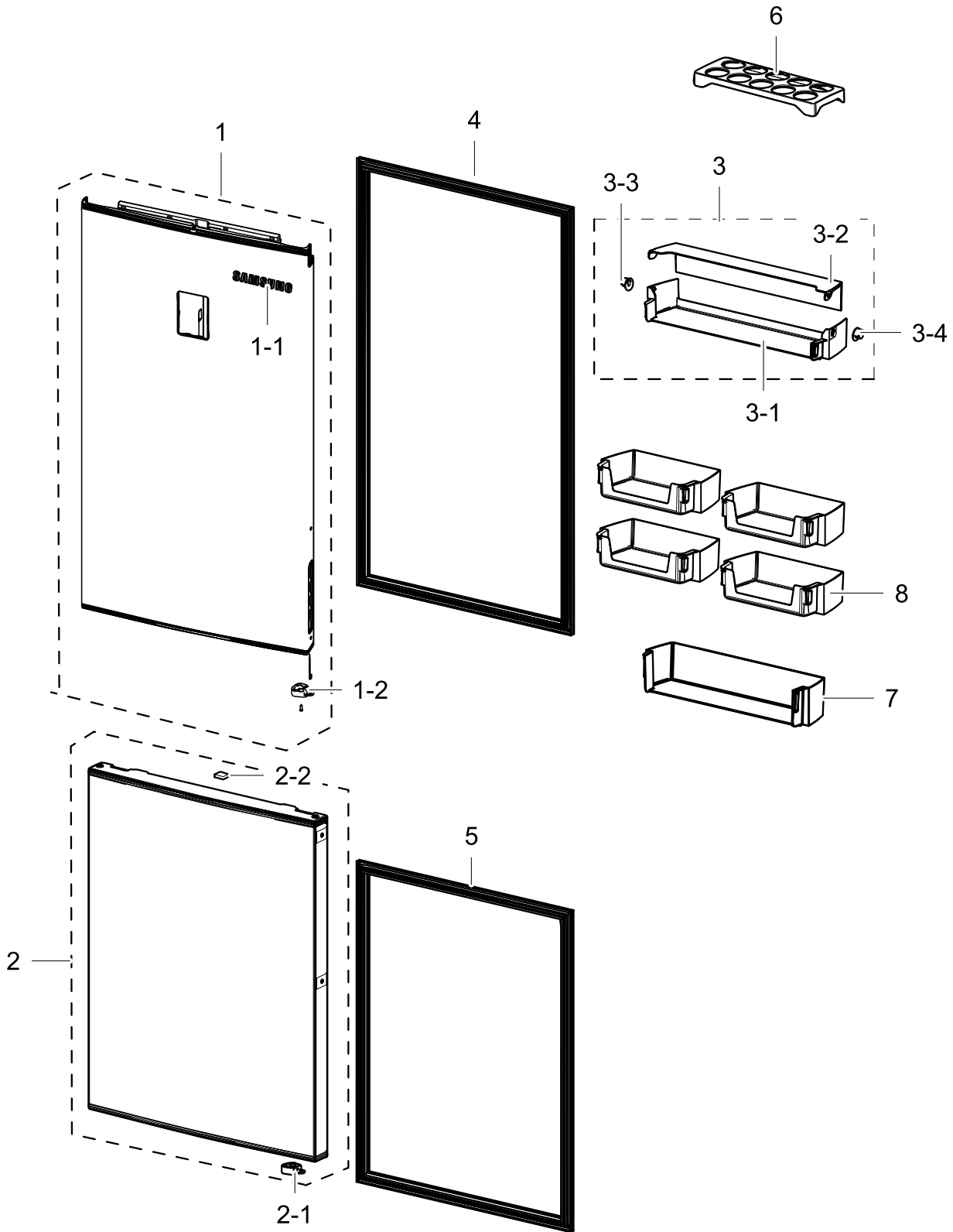
Parts List

| No. | Lvl. | Loc. | Material Code | Description & Specification | SNA | Qty. |
|------|------|-------|----------------|---|-----|------|
| 1 | 2 | | MSV488AL1R/TT3 | CMP,REFRIGERATOR,R-600A; CMP,REFRIGERATOR,R-600A | | 1 |
| 1-1 | 3 | Z1032 | DA63-06122A | COVER RELAY; MSV,MPPO,T2.0,5V-A,BLACK,M-H | SA | 1 |
| 1-2 | 3 | Z1112 | DA63-02617A | GROMMET COMP; USP05,EPDM,OD27.0,BLACK | SA | 4 |
| 1-3 | 3 | A0564 | 6011-004061 | BOLT-HEX; M6,L42.6(28.1),ZPC(SILVER), D9. | SNA | 4 |
| 2 | 2 | A0749 | DA97-13658A | ASSY TRAY-DRAIN WATER; 3050_LMF(RB29/31), | SA | 1 |
| 3 | 2 | A0669 | DA62-04309C | DRYER; Cu,118,SINGLE MOUTH,6g | SA | 1 |
| 4 | 2 | A0562 | DA39-20389A | ASSY WIRE HARNESS-EARTH; ALL,FREE VOLT,UL | SA | 1 |
| 5 | 2 | M0203 | DA62-02982C | PIPE-CONNECT DISC A; C1220T-1/2H,OD6.35,L | SA | 1 |
| 6 | 2 | | DA62-04325A | PIPE CONNECT; 3050,Cu,C1220T,OD6.35,T0.6 | SA | 1 |
| 7 | 2 | A0273 | 3903-000793 | CBF-POWER CORD; AT,E.U,EU3F,3C,250V,16A,B | SA | 1 |
| 8 | 2 | M0306 | DA97-13562A | ASSY COVER-PCB PANEL; 290, 310,GI,3050 | SA | 1 |
| 8-1 | 3 | | DA63-07420A | COVER-PCB PANEL; BMF,GI-SGCC,T0.5,3050 | SNA | 1 |
| 9 | 2 | A0515 | DA97-13557A | ASSY HINGE LOW; 3050_BMF | SA | 1 |
| 9-1 | 3 | A0247 | DA61-08990A | HINGE-LOW; 3050PJ,PO-SPHC,T3.0,LMF | SA | 1 |
| 9-2 | 3 | A0516 | DA61-08991A | GUIDE-AUTO CLOSE; 3050PJ,PA66,NTR,LMF | SA | 1 |
| 9-3 | 3 | A0518 | DA66-00385A | SHAFT-HINGE; CORE,SWRCH10A,NATURAL,ZPC3(W | SA | 1 |
| 9-4 | 3 | A0848 | DA81-01532A | SCREW-MACHINE; CH,+,M5,L12.7,ZPC(WHT),SWR | SA | 1 |
| 10 | 2 | Z1128 | DA61-07546B | LEG-FRONT; GRAND CRU-PJT,PP,BLACK,SCRAP,B | SA | 2 |
| 11 | 2 | A0513 | DA97-13564A | ASSY HINGE MID; 3050_BMF | SA | 1 |
| 12 | 2 | A0490 | DA63-07368A | COVER-LAMP; 3050,GPPS,T2.0,TP BLUE,G116HV | SA | 1 |
| 13 | 3 | | DA67-03636B | CAP SPACE-DOOR L; 3050,ABS,HB,HG-0760GP,S | SA | 1 |
| 14 | 2 | | DA67-03647B | CAP SPACE-DOOR R; 3050,ABS,HB,HG-0760GP,S | SA | 1 |
| 15 | 2 | | DA61-08932B | CAP CONTROL-PANEL; 3050,ABS,HB,HG-0760GP, | SA | 1 |
| 16 | 2 | G0213 | DA63-07384B | COVER WIRE-HINGE R; 3050,ABS,HB,SNOW WHIT | SA | 1 |
| 17 | 3 | G0214 | DA63-07385B | COVER WIRE-HINGE L; 3050,ABS,HB,SNOW WHIT | SA | 1 |
| 18 | 2 | G0022 | DA97-13131B | ASSY COVER CONTROL-PANEL; 3050PJT BMF,ASS | SA | 1 |
| 18-1 | 3 | A0506 | DA63-07352B | COVER-CONTROL PANEL; 3050,ABS,HB,SNOW WHI | SA | 1 |

| No. | Lvl. | Loc. | Material Code | Description & Specification | SNA | Qty. |
|------|------|-------|---------------|---|-----|------|
| 18-2 | 3 | G0068 | DA34-00043A | SWITCH REED; UL1007 AWG 22,100mm,DEM1-B50 | SA | 1 |
| 18-3 | 3 | A0566 | DA64-04355C | INLAY-DISPLAY; 3050_BMF,PC,SNOW WHITE,T0. | SA | 1 |
| 18-4 | 3 | | REF-PBA1D0048 | 3050 DISPLAY INNER BMF TSE; 3050 DISPLAY INNER BMF TSE | | 1 |
| 19 | 2 | A0705 | DA97-13567A | ASSY HINGE UPP; 3050_BMF | SA | 1 |
| 19-1 | 3 | A0510 | DA97-13566A | ASSY HINGE UPP-SUB; 3050_BMF | SA | 1 |
| 19-2 | 3 | A0518 | DA66-00385A | SHAFT-HINGE; CORE,SWRCH10A,NATURAL,ZPC3(W | SA | 1 |
| 20 | 2 | G0090 | DA41-00519R | ASSY LAMP LED; 3ea,CEM-1,65*10,WHITE,SMAW | SA | 1 |
| 21 | 2 | | DA60-00279A | FITTING-LOKRING 16; GRAND/SAM/HERMES,11SM | SA | 1 |
| 22 | 2 | | DA60-00280A | FITTING-LOKRING 33; SUM23,33 | SA | 1 |
| 23 | 2 | | DA60-00281A | FITTING-LOKRING 43; GRAND/SAM/HERMES,11SM | SA | 1 |
| 24 | 1 | A0952 | DA92-00735R | ASSY PCB MAIN; PBA MAIN,3050 BMF,148*197, | SA | 1 |
| 25 | 1 | | DA92-00459E | ASSY PCB INVERTER; INVERTER,3050,148*98.5 | SA | 1 |
| 26 | 2 | A0526 | DA97-14151A | ASSY CHASSIS COMP; 3050-PJT,GI-SGCC, T0.8 | SA | 1 |
| 26-1 | 3 | A0527 | DA61-06202A | CASTER-REAR; GRAND-CRU,PP,NATURAL | SA | 2 |
| 26-2 | 3 | A0861 | DA60-90146A | PIN-CASTER; SR-289-429,MSWR10,OD6.0,L38,Z | SA | 2 |
| 26-3 | 3 | A0526 | DA97-13454A | ASSY CHASSIS COMP; 3050-PJT,T0.8,RB31 | SC | 1 |
| 27 | 2 | G0215 | DA63-07383B | COVER-WIRE DOOR; 3050 BMF,ABS,-,-,SNOW WH | SA | 1 |
| 28 | 2 | A1018 | DA32-10105F | SENSOR TEMP; 502AT,PX-41C,DKST1329GW,ACE, | SA | 1 |
| 29 | 2 | | DA97-13649A | ASSY PIPE IMMERSING; 3050_LMF,RL29,31 | SNA | 1 |
| 30 | 2 | | DA63-07475A | GROMMET-IMMERSION PIPE D; 3050_LMF,NBR,20 | SA | 1 |

4. Door

Exploded View



Parts List

| No. | Lvl. | Loc. | Material Code | Description & Specification | SNA | Qty. |
|-----|------|-------|---------------|--|-----|------|
| 1 | 2 | A0052 | DA91-03974H | ASSY DOOR FOAM REF; 310,GOOD,S/WHITE,BASI | SA | 1 |
| 1-1 | 3 | M0196 | DA64-04020C | MASCOT; ALL,NI,-,T0.06,L80 | SA | 1 |
| 1-2 | 5 | | DA66-01011A | LEVER-AUTO CLOSE; 3050PJ,POM,NTR,LMF | SA | 1 |
| 2 | 2 | A0051 | DA91-03957F | ASSY DOOR FOAM FRE; 3050-PJT,RB29F,WW,Sno | SA | 1 |
| 2-1 | 5 | | DA66-01011A | LEVER-AUTO CLOSE; 3050PJ,POM,NTR,LMF | SA | 1 |
| 2-2 | 5 | A0534 | DA61-03769B | MAGNET; SVETA,MAGNET,T5,W15,L18 | SA | 1 |
| 3 | 2 | A0636 | DA97-15689A | ASSY GUARD DAIRY; 3050_BMF,ASSY | SA | 1 |
| 3-1 | 3 | | DA63-07404A | GUARD-DAIRY CASE; 3050,GPPS,TP BLUE,HB,16 | SA | 1 |
| 3-2 | 3 | | DA63-08119A | COVER DAIRY; RB5000J,GPPS,T3.0,TP BLUE,16 | SA | 1 |
| 3-3 | 3 | | DA67-02920A | CAP-HINGE DAIRY R; HERMES,POM,NTR | SA | 1 |
| 3-4 | 3 | | DA67-02921A | CAP-HINGE DAIRY L; HERMES,POM,NTR | SA | 1 |
| 4 | 2 | A0535 | DA97-13594B | ASSY-GASKET DOOR REF; RB31,3050,GASKET-SE | SA | 1 |
| 5 | 2 | | DA97-12383Y | ASSY-GASKET DOOR; GRAND-CRU, FRE RL56, RB | SA | 1 |
| 6 | 2 | A0656 | DA63-07346A | TRAY EGG; 3050,GPPS,-,HB,TP BLUE,165N,HI- | SA | 1 |
| 7 | 2 | A0151 | DA63-08118A | GUARD BOTTLE; RB5000J,GPPS,T3.0,TP BLUE | SA | 1 |
| 8 | 2 | A0153 | DA63-08117A | GUARD VARIETY; RB5000J,GPPS,T3.0,TP BLUE | SA | 2 |