
DV8800N_DV90N8287AW/EC EXPLODED VIEWS AND PARTS LIST

[MATERIAL CODE STANDARDS]

Material codes and names and their respective naming rules are managed in accordance with the prescribed standards. Please refer to these standards when requesting a material.

1. Material Code Type

- : Number
- : Letter (Alphabet)

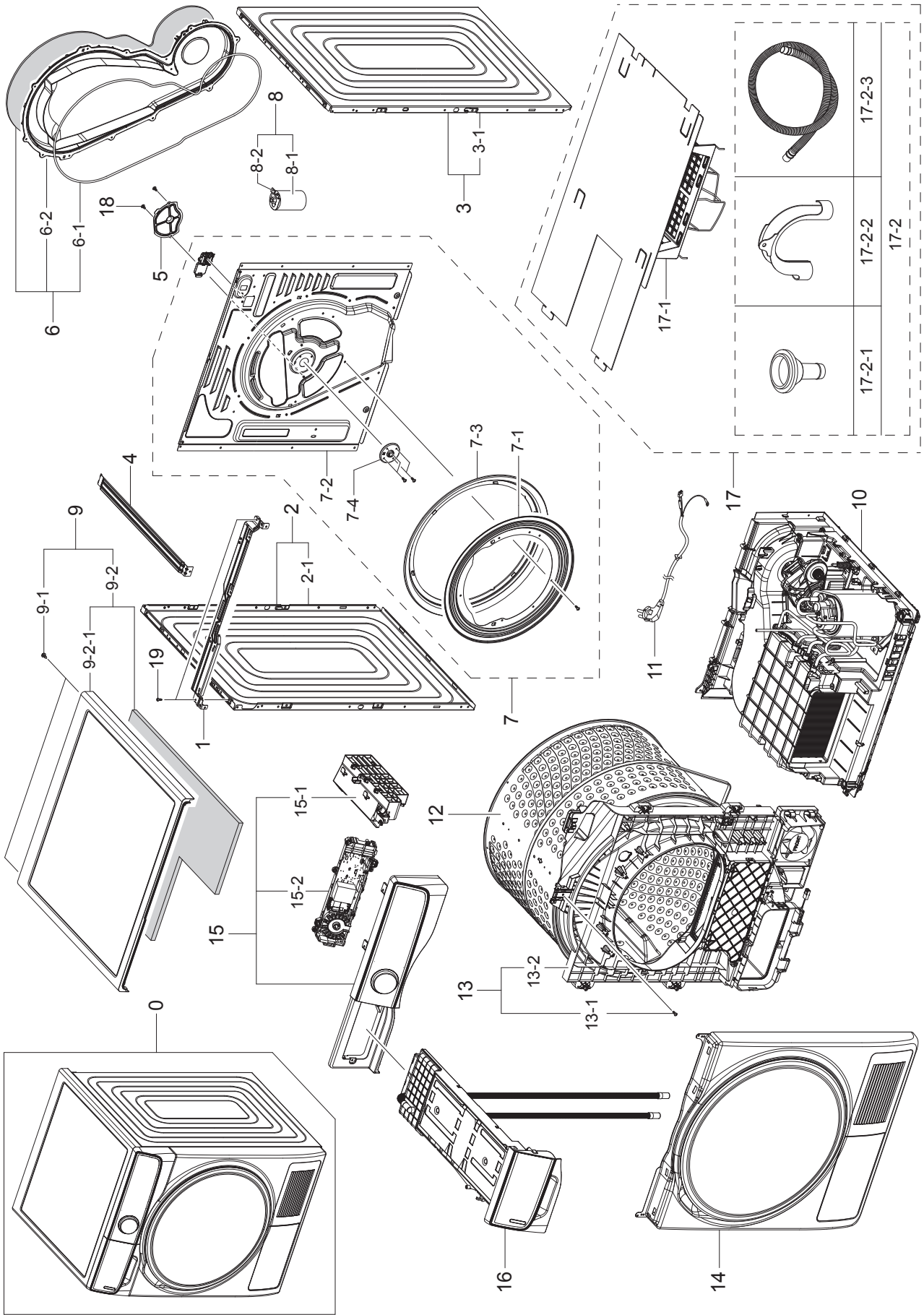
Type 1	●●●● - ●●●●●● ex) 0204-000418 FREON	Enterprise-wide parts Type 1 materials can be used for all Samsung Electronics products. (Most electrical parts belong to this type.)
Type 2	■ ■ ● ● - ● ● ● ● ■ ex) DC96-01390A ASSY-CONTROL	Division-wide parts (DC** - Drayer) Type 2 materials can be used for specific products. (Most instruments and tools belong to this type.)

2. Ass'y Materials

All ass'y material codes start with DC9*.

An ass'y material is created by combining more than two materials. If a requested material cannot be provided, you can request an ass'y material that contains that material.

1. MAIN



MODEL CODE: DV90N8287AW/EC

Service Bom (SA: SERVICE AVAILABLE, SNA: SERVICE NOT AVAILABLE)

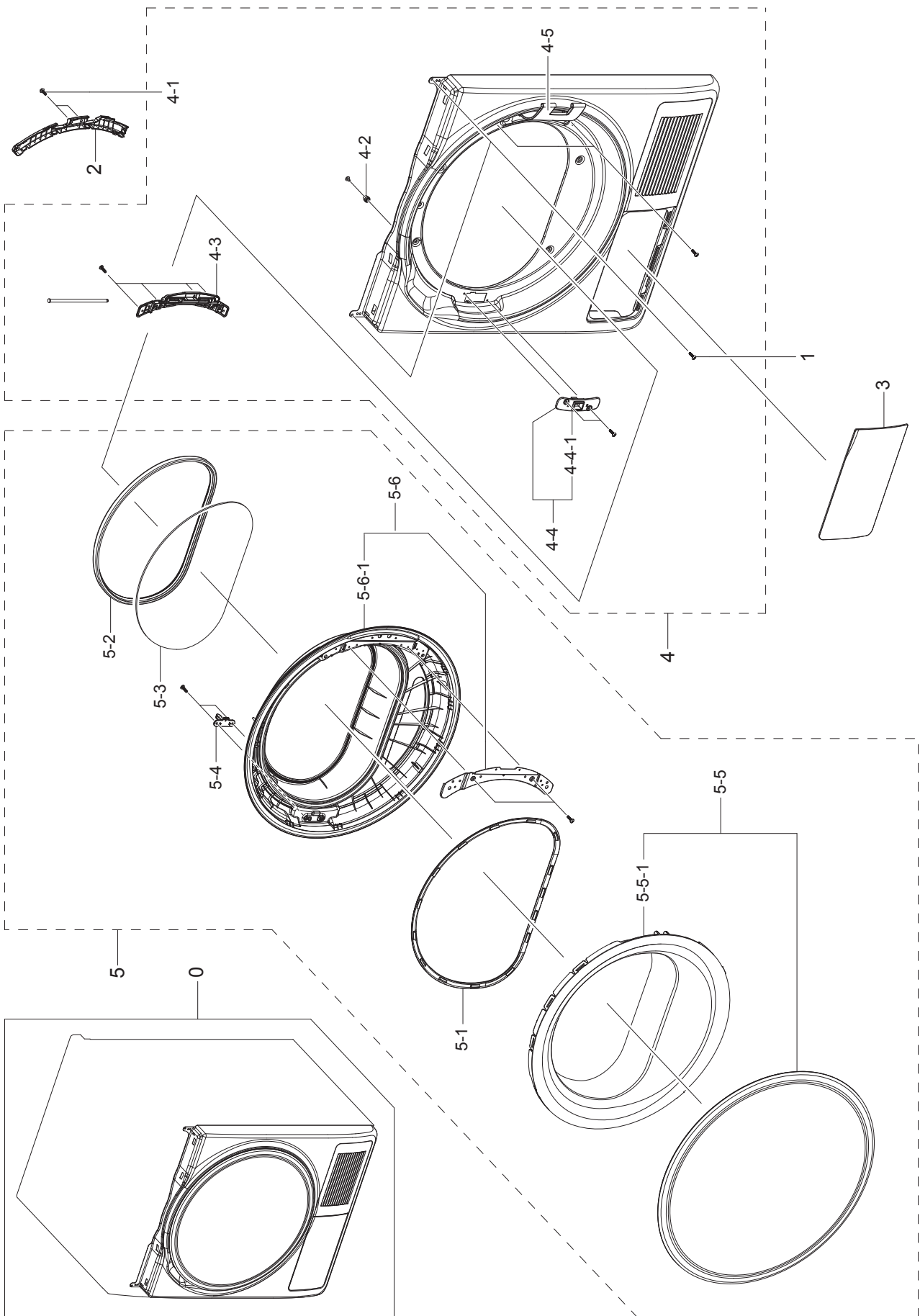
SVC_Code	Code No.	Description	Specification	QTY	Un	SA/ SNA
0	DV90N8287AW/ EC	ASSY-CLOTHES DRYER	DV8800N			
1	DC61-03629B	FRAME PLATE-UP	DV5000M,GI-SGCC,T1	1	PC	SA
2	DC97-20838A	ASSY FRAME-LEFT	DV8800N,LEFT	1	PC	SA
2-1	DC61-03638E	FRAME-SIDE	DV90F5E6HGW,EGI-SECC,DA WHITE	1	PC	SNA
3	DC97-20839A	ASSY FRAME	DV8800N,RIGHT	1	PC	SA
3-1	DC61-03638E	FRAME-SIDE	DV90F5E6HGW,EGI-SECC,DA WHITE	1	PC	SNA
4	DC61-03639A	GUIDE WIRE	DV90F5E6HGW,GI-SGCC,T1	1	PC	SA
5	DC63-01263A	COVER BEARING	SDC18809,EGI-SECC,T0.8,W10	1	PC	SA
6	DC93-00720B	ASSY COVER DUCT	DV8800N,PP+Damping Sheet	1	PC	SA
6-1	DC62-00377C	SEAL DUCT	DV90F5E6HGW,EPDM,BLACK,-,L1840	1	PC	SA
6-2	DC63-02060A	COVER DUCT FAN	DV80M8215AW/EG,PP,HB,DARK	1	PC	SA
7	DC97-20441A	ASSY FRAME-REAR	DV5000M,dv500f,ETC,-	1	PC	SA
7-1	DC61-02263A	BRACKET GASKET FELT	DCVH480EK0WW,STS430,	1	PC	SA
7-2	DC61-03637B	FRAME-REAR	DV80M8215AW,GI-SGCC,T0.7	1	PC	SA
7-3	DC93-00754A	ASSY GASKET FELT	DV5000M,DV70M5220IW/EN	1	PC	SA
7-4	DC97-16288A	ASSY HOUSING BEARING	D100-PJT,SDC18809(O	1	PC	SA
8	DC97-20185B	ASSY FILTER GUIDE	DV8800N,FILTER EMI	1	PC	SA
8-1	DC29-00023A	FILTER EMI	200Khz,6.5mH MIN/1/-,53*96.5*	1	PC	SA
8-2	DC61-04408A	BRACKET FILTER	DV80M8215AW/EG,GI-SGCC,T0	1	PC	SA
9	DC90-00082K	ASSY COVER TOP PARTS	DV8800N	1	PC	SNA
9-1	6002-001431	SCREW-TAPPING	HEX,+,2,M5,L16,ZPC(WHT),SW	2	PC	SA
9-2	DC97-20837A	ASSY COVER TOP	DV8800N,3.5,DA WHITE	1	PC	SA
9-2-1	DC63-01606A	COVER TOP	DV90F5E6HGW,ABS,T3.5,-,DA WHIT	1	PC	SA
10	DC90-00082M	ASSY BASE PARTS	DV8800N	1	PC	SNA
11	3903-001192	CBF-POWER CORD	AT,EU3F,Gray,1500,H05VV-F	1	PC	SA
12	DC90-00082J	ASSY DRUM PARTS	DV8800N	1	PC	SNA
13	DC90-25337A	ASSY INNER PARTS	DV8000H,DV91M8204AW/EG	1	PC	SNA
13-1	6002-001306	SCREW-TAPPING	TH,+,1,M4,L14,ZPC(WHT),SWR	1	PC	SNA
13-2	DC97-19978Q	ASSY DRUM FRONT	DV91M8204AW/EG	1	PC	SA
14	DC90-25336A	ASSY FRONT PARTS	DV8000M,DV91M8204AW/EG	1	PC	SNA
15	DC90-27331A	ASSY PANEL CONTROL PARTS	DV8800N,DV90N82	1	PC	SNA
15-1	DC92-02056A	ASSY HOLDER PCB	DV8000M,DV80M8214AW/EN	1	PC	SA
15-2	DC92-02261A	ASSY KIT	FCD_AC COMP,DV8800N,G-LED,WI-FI	1	PC	SNA
16	DC90-27350A	ASSY DRAWER PARTS	DV90N8287AW/EC	1	PC	SNA
17	DC93-00134C	ASSY DIE RACK DRY	DV5000M,DV90M52A0QS	1	PC	SA
17-1	DC61-02472A	DIE RACK DRY	DV6000K,PP,T3,DARK HOLDER G	1	PC	SA
17-2	DC98-03342D	ASSY ACCESSORY	24' Heat Pump	1	PC	SNA
17-2-1	DC61-02479A	GUIDE HOSE	SDC18809,PP,T1.5,L34.5,NTR,D1	1	PC	SA

MODEL CODE: DV90N8287AW/EC

Service Bom (SA: SERVICE AVAILABLE, SNA: SERVICE NOT AVAILABLE)

SVC_Code	Code No.	Description	Specification	QTY	Un	SA/ SNA
17-2-2	DC62-10278A	HOSE HANGER	PUMP MODEL,PP,BLACK	1	PC	SA
17-2-3	DC97-15757C	ASSY HOSE DRAIN	D100,SDC18809,L1998,ID9.	1	PC	SA
18	6002-000239	SCREW-TAPPING	TH,+,NO,2S,M4,L8,ZPC(WHT),	2	PC	SNA
19	6009-001240	SCREW-SPECIAL	TH,+,M5,L13.5,ZPC(WHT),SWR	2	PC	SNA

2. ASSY FRONT PARTS

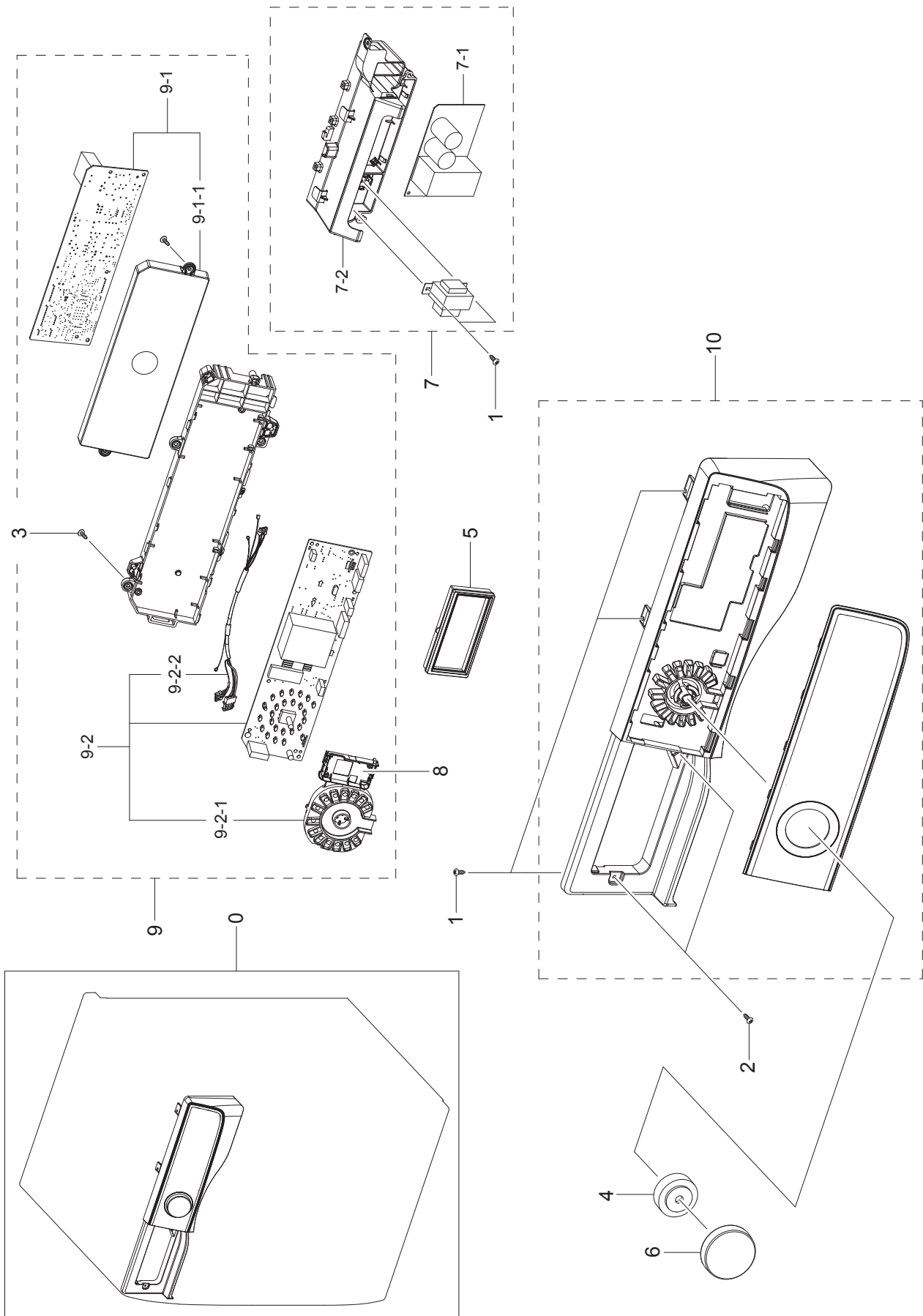


MODEL CODE: DV90N8287AW/EC

Service Bom (SA: SERVICE AVAILABLE, SNA: SERVICE NOT AVAILABLE)

SVC_Code	Code No.	Description	Specification	QTY	Un	SA/ SNA
0	DC90-25336A	ASSY FRONT PARTS	DV8000M,DV91M8204AW/EG	1	PC	SNA
1	6006-001174	SCREW-TAPPING	TH,+ ,WT,2S,M4,L12,ZPC(WHT)	2	PC	SNA
2	DC63-01771A	COVER HOLDER	PP,T2,VERSAILLES GRAY,TB53,	1	PC	SA
3	DC63-01773B	COVER CONDENSER	DV80M8215AW,ABS,HB,DA WH	1	PC	SA
4	DC97-18222G	ASSY FRAME FRONT	DV8000M,DV91M8204AW/EG,	1	PC	SA
4-1	6001-001773	SCREW-MACHINE	TH,+,-,M5,L12,PASS,STS430,	2	PC	SA
4-2	DC61-03133A	GUIDE COVER TOP	DV5471AEP,PA66,-,-,Zytel	1	PC	SA
4-3	DC61-03886A	BRACKET DOOR	DV8000HE,ALDC,T3	1	PC	SA
4-4	DC97-15505B	ASSY HOLDER LEVER	D100,SDC18809,DARK HOL	1	PC	SA
4-4-1	DC61-02253B	HOLDER LEVER	D100,POM,DARK HOLDER GRAY	1	PC	SA
4-5	DC97-18046A	ASSY HINGE	H800E	1	PC	SA
5	DC97-20555A	ASSY DOOR	DV8000M	1	PC	SNA
5-1	DC62-00440A	SEAL DOOR	DV90H8000HW,TPE,-,-,XR-1045,GR	1	PC	SA
5-2	DC62-00488A	SEAL AIR	DV6000K,TPE,XR-1045	1	PC	SA
5-3	DC64-02962A	DOOR GLASS	DV90F5E6HGW,GLASS,T3.2,-,-,CLEA	1	PC	SA
5-4	DC66-00643A	LEVER DOOR	DV-F500E,ZNDC,PLATING NI	1	PC	SA
5-5	DC97-18339A	ASSY COVER DOOR	DV8000H,DV90H8000HW	1	PC	SA
5-5-1	DC63-01772A	COVER GLASS	ABS,T3,VERSAILLES GRAY,HG-07	1	PC	SA
5-6	DC97-20556A	ASSY HOLDER GLASS	DV8000M,DV91M8204AW/EG	1	PC	SNA
5-6-1	DC61-03884A	HOLDER GLASS	DV8000HE,PP,T3,VERSAILLES G	1	PC	SA

3. ASSY PANEL CONTROL PARTS

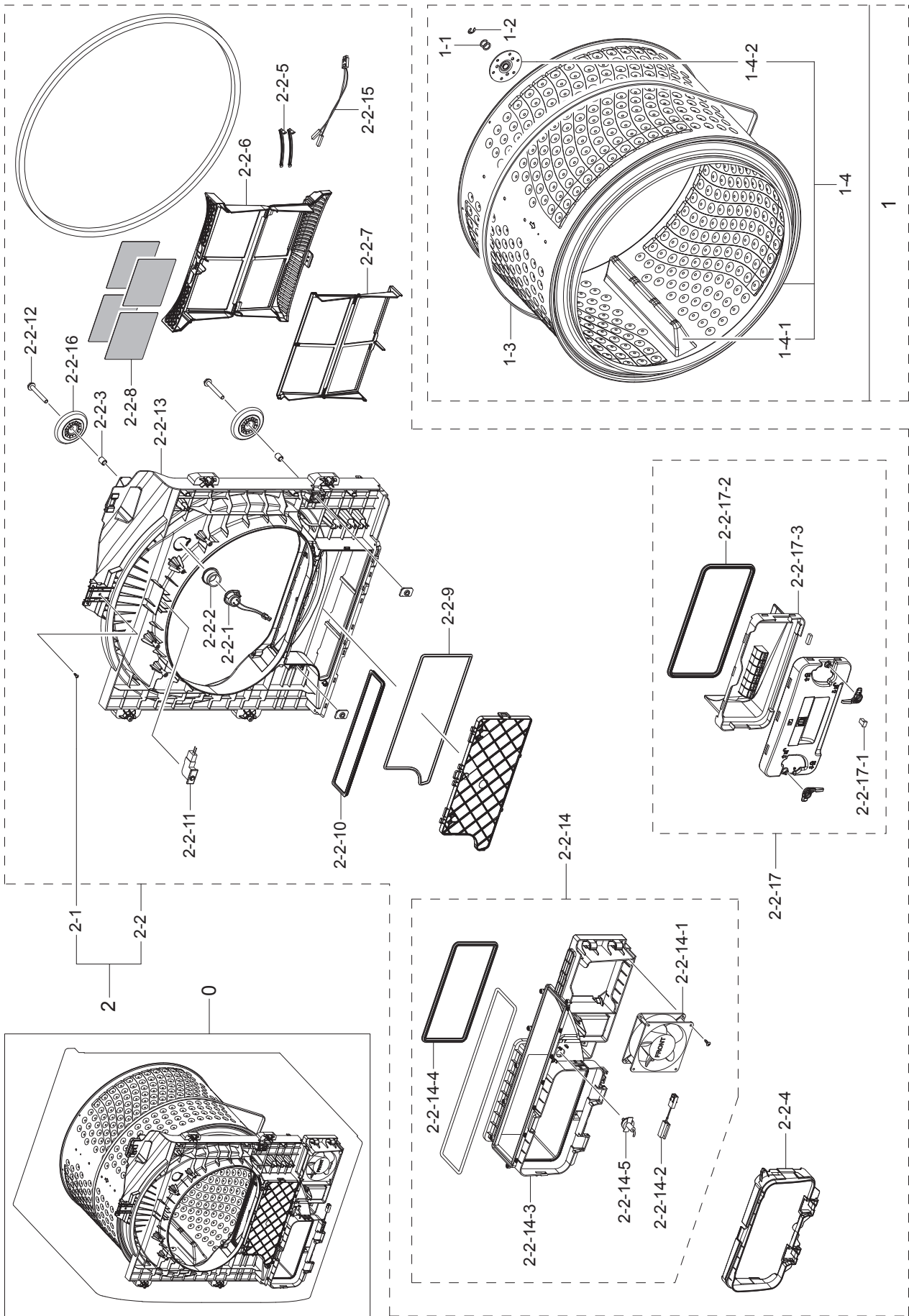


MODEL CODE: DV90N8287AW/EC

Service Bom (SA: SERVICE AVAILABLE, SNA: SERVICE NOT AVAILABLE)

SVC_Code	Code No.	Description	Specification	QTY	Un	SA/ SNA
0	DC90-27331A	ASSY PANEL CONTROL PARTS	DV8800N,DV90N82	1	PC	SNA
1	6002-000239	SCREW-TAPPING	TH,+,NO,2S,M4,L8,ZPC(WHT),	3	PC	SNA
2	6002-000445	SCREW-TAPPING	TH,+,NO,2,M4,L18,PASS,STS4	2	PC	SNA
3	6002-001306	SCREW-TAPPING	TH,+,1,M4,L14,ZPC(WHT),SWR	2	PC	SNA
4	DC62-00404C	SEAL RUBBER	DV8800N,EPDM,BLACK,T9.5, OD	1	PC	SNA
5	DC62-00587A	SEAL RUBBER	DV8800N,EPDM,BLACK,EPDM,Hard	1	PC	SNA
6	DC64-03648A	KNOB ENCODER	WW8800M,ABS,NATURAL,MP-0160	1	PC	SA
7	DC92-02056A	ASSY HOLDER PCB	DV8000M,DV80M8214AW/EN	1	PC	SA
7-1	DC92-02029A	ASSY KIT	WM PF2 VE,DV8000M INV,WM PF2 VE	1	PC	SA
7-2	DC63-02066A	COVER PCB-INVERTER	DV80M8215AW/EG,PP,V-0	1	PC	SA
8	DC92-02211B	ASSY MODULE	FCD_Touch Sensor,DV8800N,11K	1	PC	SA
9	DC92-02261A	ASSY KIT	FCD_AC COMP,DV8800N,G-LED,WI-FI	1	PC	SNA
9-1	DC92-02020G	ASSY PCB MAIN	FCD_AC COMP,DV8800N,242X80	1	PC	SA
9-1-1	DC61-04640A	GUIDE-PCB(M)	DV6800N,HIPS,V-0,F744,NATUR	1	PC	SNA
9-2	DC92-02257A	ASSY PCB DISPLAY	FCD_AC COMP,DV8800N_G-L	1	PC	SA
9-2-1	DC61-04639A	GUIDE ENCODER	DV6800N,HIPS,V-0,100F,NATU	1	PC	SNA
9-2-2	DC96-01574B	ASSY WIRE HARNESS	DRUM-M,WF210ANW,8PIN,L	1	PC	SA
10	DC97-20842W	ASSY PANEL CONTROL	DV8800N,DV90N8287AW/E	1	PC	SNA

4. ASSY DRUM & ASSY INNER PARTS

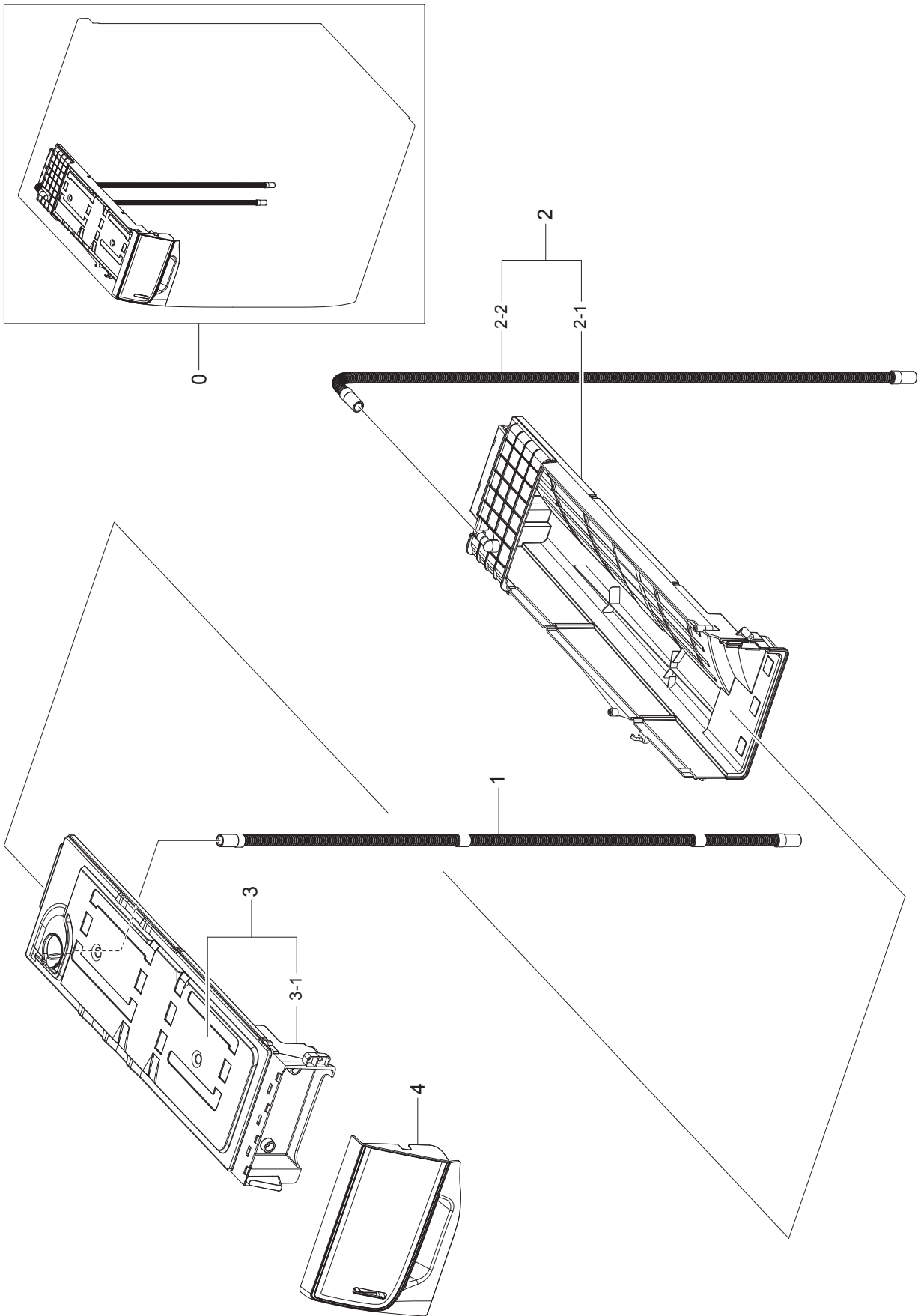


MODEL CODE: DV90N8287AW/EC

Service Bom (SA: SERVICE AVAILABLE, SNA: SERVICE NOT AVAILABLE)

SVC_Code	Code No.	Description	Specification	QTY	Un	SA/ SNA
0		ASSY DRUM & ASSY INNER PARTS	DV8800N	1	PC	SNA
1	DC90-00082J	ASSY DRUM PARTS	DV8800N	1	PC	SNA
1-1	6031-002038	WASHER-PLAIN	NYLON,ID12,OD17,T1.0,NTR	2	PC	SNA
1-2	6044-001784	RING-C	ID11.1,STW-12,T1.0,BLK,SK5	1	PC	SA
1-3	6602-002024	BELT-TIMING GEAR	7PH1970,RUBBER,T2.7,L19	1	PC	SA
1-4	DC97-18220B	ASSY DRUM WRAPPER	DV8800N	1	PC	SA
1-4-1	DC66-00541A	DRUM LIFTER	GE24-DRYER,PP,T3.0,FC2210,GR	3	PC	SA
1-4-2	DC97-15550B	ASSY FLANGE SHAFT	DV90F5E6HGW	1	PC	SNA
2	DC90-25337A	ASSY INNER PARTS	DV8000H,DV91M8204AW/EG	1	PC	SNA
2-1	6002-001306	SCREW-TAPPING	TH,+1,M4,L14,ZPC(WHT),SWR	1	PC	SNA
2-2	DC97-19978Q	ASSY DRUM FRONT	DV91M8204AW/EG	1	PC	SA
2-2-1	DC47-00027A	ASSY LAMP LED	2ea,FR-1,14*12,WHITE,AMP 1	1	PC	SA
2-2-2	DC61-02457A	FIXER LAMP	D100-DRYER,EPDM,GRAY	1	PC	SA
2-2-3	DC61-02485A	BUSH BEARING	SDC18809,SWRCH10A,ID8,OD12,	2	PC	SA
2-2-4	DC61-03885A	GUIDE FILTER	PP,T3,HB,FC2305,DARK HOLDER	1	PC	SA
2-2-5	DC61-04406A	PLATE SENSOR	DV80M8215AW/EG,STS430,T0.8	2	PC	SA
2-2-6	DC61-04407A	CASE FILTER	DV80M8215AW/EG,PP,DARK HOLDE	1	PC	SA
2-2-7	DC61-04409A	CASE FILTER	DV80M8215AW/EG,PP,DARK HOLDE	1	PC	SA
2-2-8	DC61-60044W	CUSHION LID	SW12E1SP,SI,-,-,-,-,INOX GRA	4	PC	SA
2-2-9	DC62-00377A	SEAL DUCT	DV90F5E6HGW,EPDM,BLACK,-	1	PC	SA
2-2-10	DC62-00503A	SEAL PACKING	DV80M8215AW/EG,EPDM,DARK HO	1	PC	SA
2-2-11	DC64-00828D	SWITCH DOOR	AC125-250V,7.5/5,OP0.8mm	1	PC	SA
2-2-12	DC66-00572A	SHAFT ROLLER	SDC18809,SWRCH10A,L61,OD8,Z	2	PC	SA
2-2-13	DC66-00923A	DRUM FRONT-R	DV80M8215AW/EG,PP,HB,DARK H	1	PC	SA
2-2-14	DC93-00700D	ASSY DUCT FRONT	DV8000M,DV80M8215AW,PP(F	1	PC	SNA
2-2-14-1	DC31-00177A	MOTOR FAN	F1238S12B,0.29A,3.5W,2000,DC 1	1	PC	SA
2-2-14-2	DC34-00001G	SWITCH REED	14~30,370mm,25.4±0.5mm,14mm,	1	PC	SA
2-2-14-3	DC61-04413A	GUIDE AIR FLOW	DV80M8215AW/EG,PP,HB,FC23	1	PC	SA
2-2-14-4	DC62-00280C	SEAL CONDENSER	DV-F500E,TPE,KT GRAY,-,L7	1	PC	SA
2-2-14-5	DC90-10128G	ASSY THERMISTOR	DRYER,5V,-20~125°C,120mm,	1	PC	SA
2-2-15	DC96-00766A	ASSY WIRE HARNESS- TOUCH	DRYER-L,-,,,,,,,	1	PC	SA
2-2-16	DC97-15768A	ASSY ROLLER	D100-PJT,SDC18809	2	PC	SA
2-2-17	DC97-19977A	ASSY FILTER GUIDE	DV8000M,DV80M8215AW/EG	1	PC	SA
2-2-17-1	DA66-01072A	LATCH	LATOUR,POM,NATURAL,DC LATCH	1	PC	SA
2-2-17-2	DC62-00280B	SEAL CONDENSER	DV-F500E,TPE,KT GRAY,XR-1	1	PC	SA
2-2-17-3	DC63-02067A	FILTER GUIDE	DV80M8215AW/EG,PP,KT GRAY	1	PC	SNA

5. ASSY DRAWER PARTS

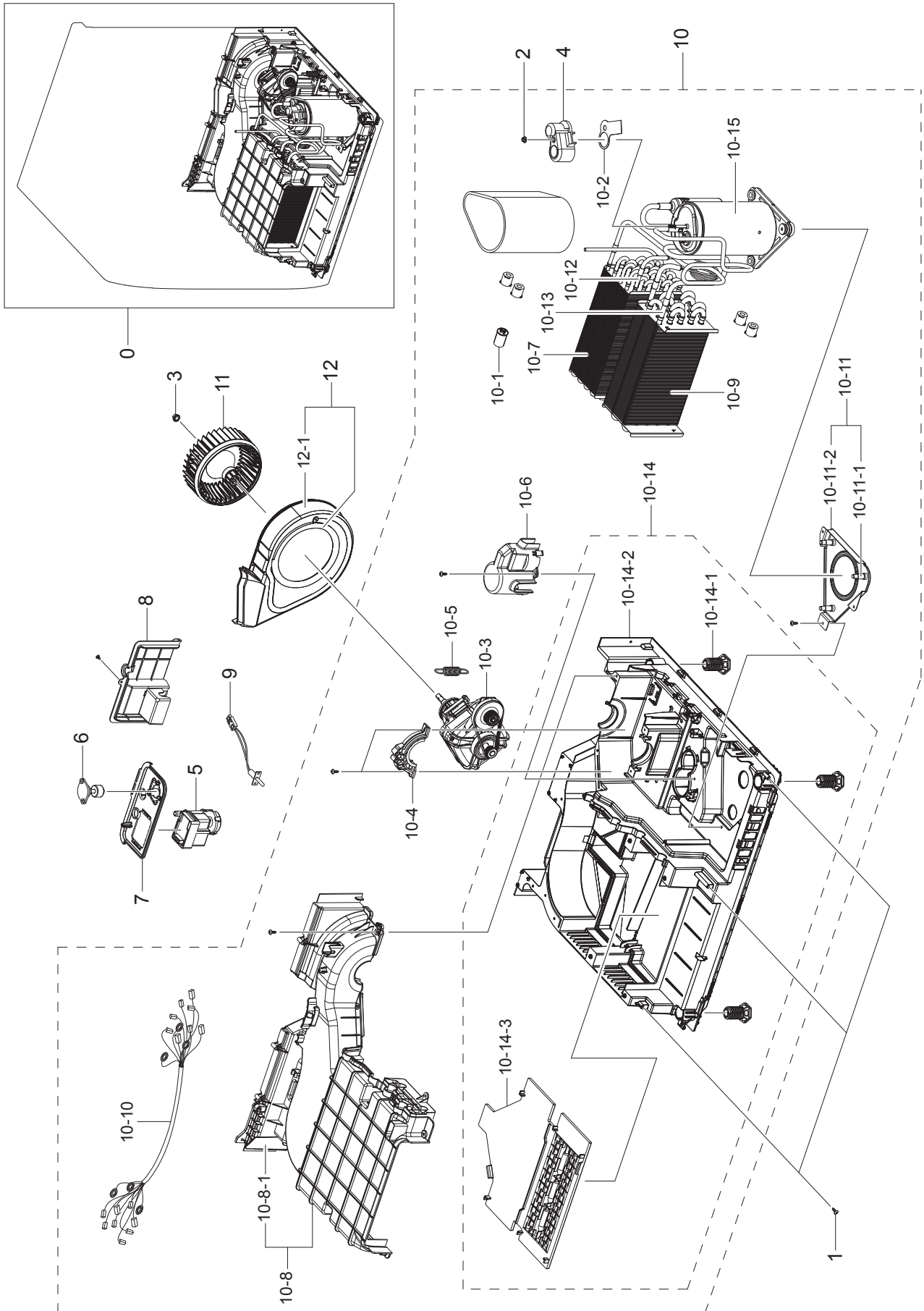


MODEL CODE: DV90N8287AW/EC

Service Bom (SA: SERVICE AVAILABLE, SNA: SERVICE NOT AVAILABLE)

SVC_Code	Code No.	Description	Specification	QTY	Un	SA/ SNA
0	DC90-27350A	ASSY DRAWER PARTS	DV90N8287AW/EC	1	PC	SNA
1	DC97-15757F	ASSY HOSE DRAIN	DV-F500E,DV90D5E5HGW,GRA	1	PC	SA
2	DC97-17451A	ASSY HOUSING DRAWER	DV-F500E,DV90F5E6HGW	1	PC	SA
2-1	DC61-03647A	HOUSING DRAWER	DV90D5E5HGW,PP,T2.5,NATUR	1	PC	SA
2-2	DC97-15757E	ASSY HOSE DRAIN	DV-F500E,DV90D5E5HGW,GRA	1	PC	SA
3	DC97-20836A	ASSY DRAWER	DV8800N,DV90N8289AW,PP	1	PC	SA
3-1	DC61-04638A	BODY TANK WATER	DV8800N,PP,NATURAL,-,BJ3	1	PC	SNA
4	DC97-20840A	ASSY PANEL DRAWER	DV8800N,DV90N8289AW,DA	1	PC	SA

6. ASSY BASE PARTS



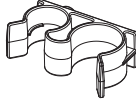
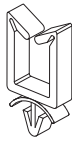
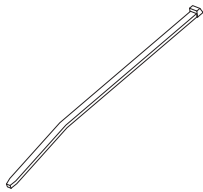

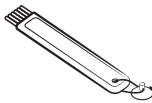


MODEL CODE: DV90N8287AW/EC

Service Bom (SA: SERVICE AVAILABLE, SNA: SERVICE NOT AVAILABLE)

SVC_Code	Code No.	Description	Specification	QTY	Un	SA/ SNA
0	DC90-00082M	ASSY BASE PARTS	DV8800N	1	PC	SNA
1	6002-001306	SCREW-TAPPING	TH,+ ,1,M4,L14,ZPC(WHT),SWR	3	PC	SNA
2	6021-001142	NUT-HEXAGON FLANGE	M5,ZPC(WHT),SWRCH10A,	1	PC	SNA
3	6021-001321	NUT-INCH	RIGHT TURN,3/8"-24,ZPC(BLK),SWC	1	PC	SNA
4	DB63-02310A	COVER TERMINAL	SABIC N1250,2.5,-,BLACK,N	1	PC	SA
5	DC31-00105A	PUMP-DRAIN	B13-6AA01120,220V-240V,50Hz,4	1	PC	SA
6	DC34-00010A	SWITCH FLOAT	50±0.5mm,1.5,50mm,MG624537,	1	PC	SA
7	DC61-03643A	HOLDER PUMP MOTOR	DV-F500E,PP,T2.5,NATUR	1	PC	SA
8	DC63-01609A	COVER PUMP	DV-F500E,PP,T2.5,NATURAL,MU30	1	PC	SA
9	DC90-10128G	ASSY THERMISTOR	DRYER,5V,-20~125°C,120mm,	1	PC	SA
10	DC90-24932E	ASSY CIRCULATION SYSTEM PARTS	DV8800N	1	PC	SNA
10-1	2501-001233	C-OIL	15,-25to+80,450V,±5,50x65,#250,PP,	1	PC	SA
10-2	DB63-00817A	GASKET	R/COMP,SIR,T0.8,L80,-,60-70,Inter	1	PC	SA
10-3	DC31-00184A	MOTOR BLDC	D200B,3400,120V~230V,1.0A,130	1	PC	SA
10-4	DC61-02467A	SUPPORT-MOTOR(U)	D100-PJT,PP,T3	1	PC	SA
10-5	DC61-02487A	SPRING ETC TENSION	SDC18809,HSWR,CD2.0,O	1	PC	SA
10-6	DC61-03633A	HOLDER CONDENSER	DV-F500E,PP,T2.5,NATURA	1	PC	SA
10-7	DC93-00394A	ASSY CONDENSER	DV-F500E,DV90F5E6HGW,Al	1	PC	SA
10-8	DC93-00661D	ASSY COVER CONDENSER	DV8000M,DV80M8215AW	1	PC	SA
10-8-1	DC63-02062A	COVER CONDENSER-U	DV80M8215AW/EG,PP,HB,N	1	PC	SA
10-9	DC93-00662A	ASSY CONDENSER	DV8000M,DV80M8215AW,AL	1	PC	SA
10-10	DC93-00767A	ASSY WIRE HARNESS- MAIN	DRYER-M,DV90N6263	1	PC	SA
10-11	DC97-17568A	ASSY BRACKET COMP	DV-F500E	1	PC	SNA
10-11-1	6011-001539	BOLT-ETC	M8,L36.5(10),ZPC(YEL),MSWR10,G1	3	PC	SA
10-11-2	DC61-03656A	BRACKET COMP	DV-F500E,GI-SGCC,T1,NATURAL	1	PC	SA
10-12	DC97-20174A	ASSY PIPE	DV8000M,DV80M8214AW	1	PC	SA
10-13	DC97-21325A	ASSY PIPE	DV8000M,DV91M8204AW	1	PC	SNA
10-14	DC97-21490A	ASSY BOTTOM	ASSY BOTTOM,DV5000M	1	PC	SNA
10-14-1	DC61-02447B	LEG	D100 DRYER,FRPP,NATURAL	4	PC	SA
10-14-2	DC61-04516A	BASE	DV-F500E,PP,NATURAL,HB,PTN960	1	PC	SA
10-14-3	DC63-01602A	COVER BASE	DV-F500E,PP,T2.5,GRAY	1	PC	SA
10-15	UX9AK2037JJASS	RCP,COMP,RCP,J,R134A	0	1	PC	SA
11	DC93-00659A	ASSY FAN DRY	DV8000M,DV80M8215AW/EG,FRPP	1	PC	SA
12	DC93-00660B	ASSY GUIDE DUCT FAN	DV5000M,DV90M5200QW/	1	PC	SNA
12-1	DC61-04412A	GUIDE DUCT FAN	DV80M8215AW/EG,PP,HB,PTN9	1	PC	SA

7. SMALL PARTS

				
1	2	3	4	5
				
6	7			

MODEL CODE: DV90N8287AW/EC

Service Bom (SA: SERVICE AVAILABLE, SNA: SERVICE NOT AVAILABLE)

Drawing No.	Code No.	Description	Specification	Inst point	QTY	Un	SA/SNA
1	DC61-40081A	HOLDER WIRE	DAWH-2NC,PA66,-,NATURAL,-	FRAME REAR	1	PC	SA
2	DC61-60074A	HOLDER WIRE	PA,-,NATURAL,-,101F,rectangle	FRAME REAR	1	PC	SNA
3	DC65-00026A	CLAMPER HOSE-FIX	SDC18809,PP,BJ350,NTR	FRAME REAR	1	PC	SA
4	DC61-00553B	CABLE CLAMP	DAWS-3NE,PA66,NTR	DRUM-FRONT	1	PC	SNA
5	DC65-10001A	CABLE TIE	PVC	ASSY ACCESSORY	2	PC	SNA
6	DE65-20026A	HOLDER WIRE	PA,NTR,LOCK-TWIST/STAND/Y260STC/SSEC/NYLON66	FRAME REAR	2	PC	SNA
6	DE65-20026A	HOLDER WIRE	PA,NTR,LOCK-TWIST/STAND/Y260STC/SSEC/NYLON66	GUIDE AIR FLOW	2	PC	SNA
7	DC67-00957A	BRUSH	DV5000M,ABS,LIGHT GRAY	ASSY ACCESSORY	1	PC	SA

8. PARTS LIST (SCREW TYPE)

MODEL CODE: DV90N8287AW/EC

Service Bom (SA: SERVICE AVAILABLE, SNA: SERVICE NOT AVAILABLE)

Code No.	Description	Specification	QTY	Un	SA/SNA
6002-000234	SCREW-TAPPING	TH,+,NO,2S,M4,L16,ZPC(WHT)	12	PC	SNA
6002-001431	SCREW-TAPPING	HEX,+,2,M5,L16,ZPC(WHT),SW	2	PC	SA
6002-000213	SCREW-TAPPING	TH,+,1,M4,L12,ZPC(WHT),SWR	9	PC	SNA
6002-000239	SCREW-TAPPING	TH,+,NO,2S,M4,L8,ZPC(WHT),	4	PC	SNA
6002-001306	SCREW-TAPPING	TH,+,1,M4,L14,ZPC(WHT),SWR	22	PC	SNA
6003-001768	SCREW-TAPTTYPE	TH,+,WT,S,M4,L10,ZPC(WHT),	2	PC	SNA
6006-001174	SCREW-TAPPING	TH,+,WT,2S,M4,L12,ZPC(WHT)	13	PC	SNA
6009-001240	SCREW-SPECIAL	TH,+,M5,L13.5,ZPC(WHT),SWR	2	PC	SNA
6009-001343	SCREW-SPECIAL	PH,TORX,M4,L12,ZPC(WHT),SW	1	PC	SNA
6002-000239	SCREW-TAPPING	TH,+,NO,2S,M4,L8,ZPC(WHT),	8	PC	SNA
6002-000239	SCREW-TAPPING	TH,+,NO,2S,M4,L8,ZPC(WHT),	4	PC	SNA
6002-000213	SCREW-TAPPING	TH,+,1,M4,L12,ZPC(WHT),SWR	1	PC	SNA
6002-001306	SCREW-TAPPING	TH,+,1,M4,L14,ZPC(WHT),SWR	5	PC	SNA
6002-000213	SCREW-TAPPING	TH,+,1,M4,L12,ZPC(WHT),SWR	3	PC	SNA
6002-001306	SCREW-TAPPING	TH,+,1,M4,L14,ZPC(WHT),SWR	13	PC	SNA
6003-001768	SCREW-TAPTTYPE	TH,+,WT,S,M4,L10,ZPC(WHT),	1	PC	SNA
6002-000213	SCREW-TAPPING	TH,+,1,M4,L12,ZPC(WHT),SWR	1	PC	SNA
6002-000445	SCREW-TAPPING	TH,+,NO,2,M4,L18,PASS,STS4	4	PC	SNA
6002-001286	SCREW-TAPPING	FH,+,-,1,M4,L16,PASS,STS43	2	PC	SNA
6002-001435	SCREW-TAPPING	TH,+,2,M4,L12,PASS,STS430	4	PC	SNA
6006-001174	SCREW-TAPPING	TH,+,WT,2S,M4,L12,ZPC(WHT)	2	PC	SNA
6002-000239	SCREW-TAPPING	TH,+,NO,2S,M4,L8,ZPC(WHT),	2	PC	SNA
6002-000470	SCREW-TAPPING	TH,+,NO,1,M4,L10,ZPC(WHT),	1	PC	SNA
6002-001149	SCREW-TAPPING	TH,+,NO,2S,M4,L12,NI PLT,S	2	PC	SNA
6002-001436	SCREW-TAPPING	PH,+,2,M4,L18,ZPC(WHT),SWR	1	PC	SNA
6009-001522	SCREW-HEX	HWH,+,M5,L16,PASS,STS430,FP,SE	2	PC	SA
6002-000445	SCREW-TAPPING	TH,+,NO,2,M4,L18,PASS,STS4	2	PC	SNA
6002-001435	SCREW-TAPPING	TH,+,2,M4,L12,PASS,STS430	2	PC	SNA
6002-000444	SCREW-TAPPING	TH,+,2,M4,L14,PASS,STS430	2	PC	SNA
6002-001306	SCREW-TAPPING	TH,+,1,M4,L14,ZPC(WHT),SWR	2	PC	SNA
6002-001306	SCREW-TAPPING	TH,+,1,M4,L14,ZPC(WHT),SWR	9	PC	SNA
6002-000239	SCREW-TAPPING	TH,+,NO,2S,M4,L8,ZPC(WHT),	3	PC	SNA
6002-000445	SCREW-TAPPING	TH,+,NO,2,M4,L18,PASS,STS4	2	PC	SNA
6002-001306	SCREW-TAPPING	TH,+,1,M4,L14,ZPC(WHT),SWR	2	PC	SNA
6002-000239	SCREW-TAPPING	TH,+,NO,2S,M4,L8,ZPC(WHT),	1	PC	SNA
6001-000516	SCREW-MACHINE	PH,+,-,M3,L10,ZPC(WHT),SWR	3	PC	SNA
6002-000239	SCREW-TAPPING	TH,+,NO,2S,M4,L8,ZPC(WHT),	3	PC	SNA