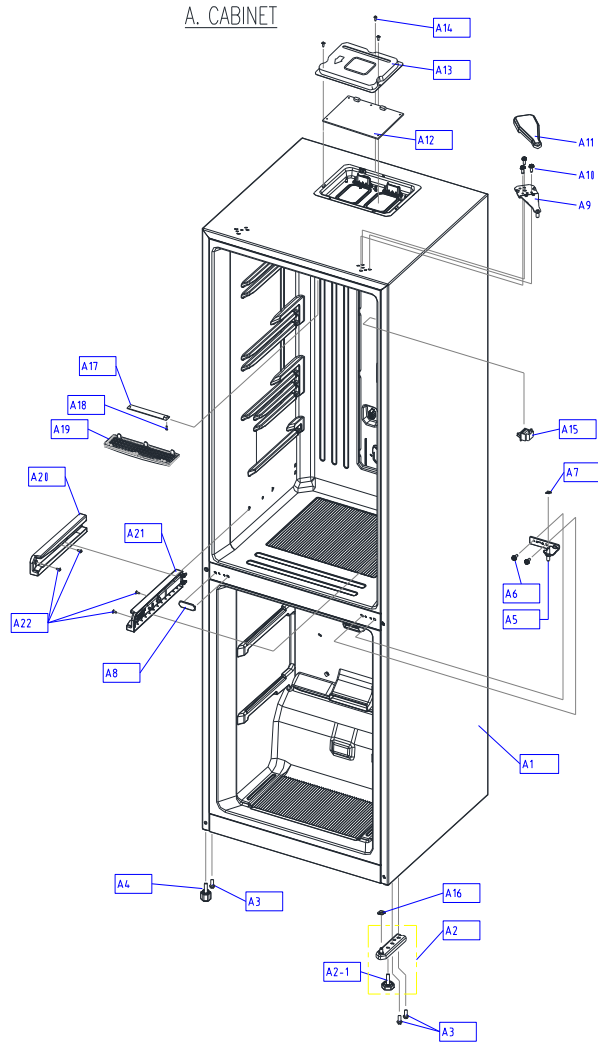


6. PART LIST

6-1. Cabinet Compartment (Dial Type)

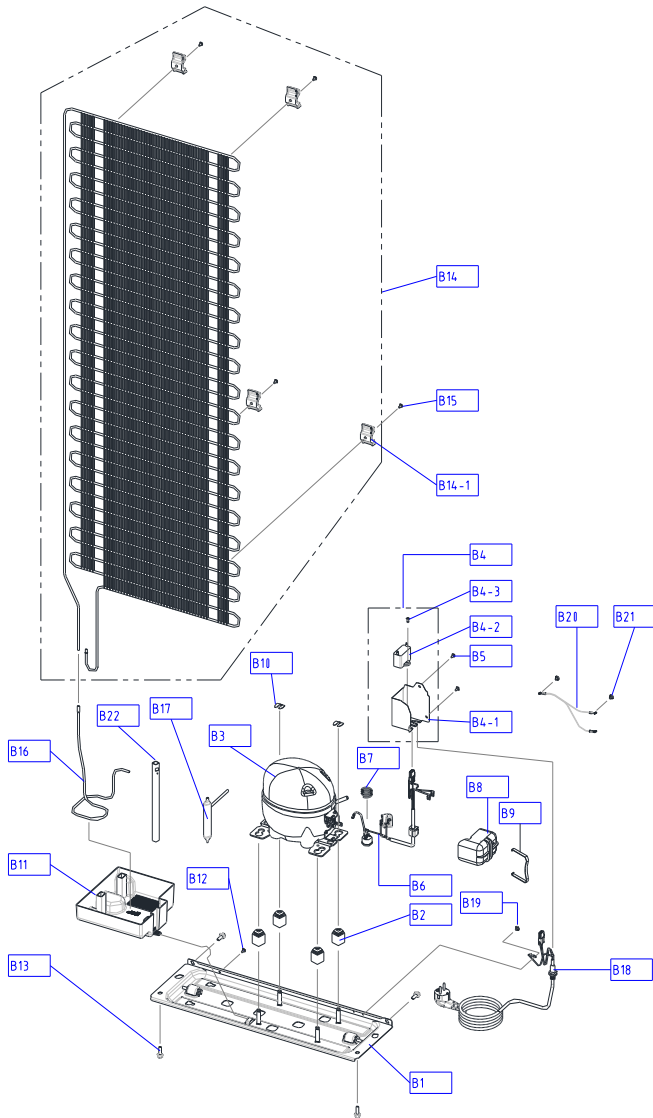


NO	PART-CODE	PART NAME	SPEC.	Q'ty	
					RN-53*
A1	30100-0192800	ASSY CAB URT	RCE-307/308		1
	30100-0193500				
A2	3012938100	HINGE *U AS	PO T3.2		1
A2-1	3012105300	FOOT ADJ AS	PP+INSERT		1
A3	30160A1700	SPECIAL BOLT	SWCH10A M8*L18		3
A4	3012106500	FOOT ADJ *L AS	PP+INSERT		1
A5	30129-0020200	HINGE *M AS	PO T3.2		1
A6	3016001250	SPECIAL BOLT *M	6X15 SWCH22A(WH)		2
A7	3016044400	SPECIAL WASHER *M HI	SGCC, T1.0X1.D8.5XO.D15		2
	3010937710			CAP DV HI HOLE *M	HIPS
A9	3012937900	HINGE *T AS	RFPO, T2.6		1
A10	3016001250	SPECIAL BOLT *M	6X15 SWCH22A(WH)		3
A11	3001448500	COVER HI *T	PP(WHITE)		1
	3001448510			PP(GRAY)	
	3001448520			PP(BLACK)	
A12	30143KW060	PCB MAIN AS	BAL2 AC DIAL		1
A13	301149CB00	COVER M/PCB BOX AS	SECC(WHITE)		1
A14	7112401211	SCREW TAPPING	T1 TRS 4*12 MFZN		3
A15	301179DP00	DOOR S/W AS	HC-050		1
A16	3816000200	SPECIAL WASHER	SPCC T1.0 O.D21*I.D8 MFZN		1
A17	330143LR310	PCB FRE LED AS	5-LED, CEM-1, 152X20X1.6T(2PIN)		1
A18	7121301011	SCREW TAPPING	T2S PAN 3X10 MFZN		1
A19	30155-0021100	WINDOW LED	GPSS		1
A20	30125-0036200	GUIDE V CASE *L	PP		1
A21	30125-0036300	GUIDE V CASE *R	PP		1
A22	7112401211	SCREW TAPPING	T1 TRS 4*12 MFZN		4

6. PART LIST

6-2. MACH ROOM Compartment (Dial Type)

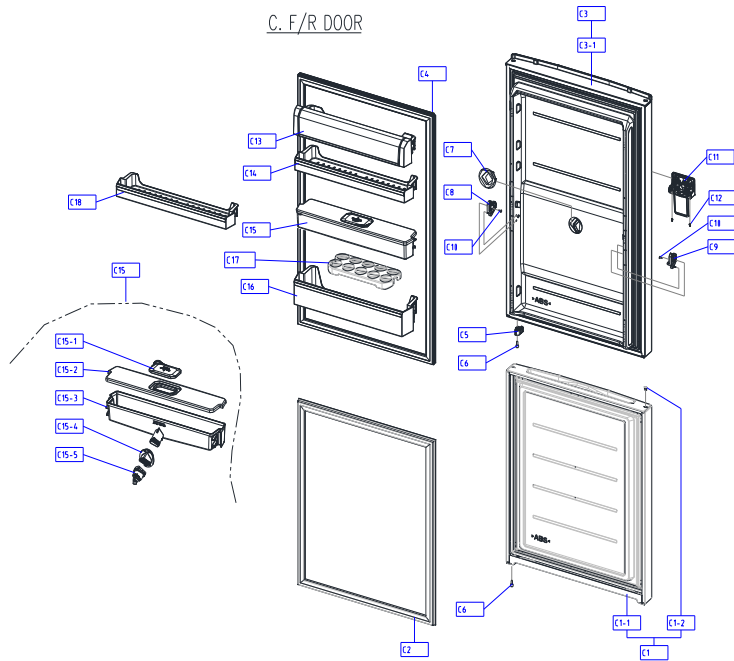
B. MACH ROOM



NO	PART-CODE	PART NAME	SPEC.	Q'ty
				RN-53*
B1	3010365500	BASE COMP AS	RFP-301	1
B2	3010103400	ABSORBER COMP	RUBBER	4
B3	3956188C50	COMPRESSOR	LZ88CY(QLZ12Y) 220-240V 50HZ	1
B4	3010583700	BOX POWER AS	RFP-301(350V/5UF)	1
B4-1	3010552101	BOX POWER	GI/T0.5	1
B4-2	3016405900	CAPACITOR RUN	350V 5UF	1
B4-3	7122401211	SCREW TAPPING	T2S TRS 4*12 MFZN	1
B5	7112401211	SCREW TAPPING	T1 TRS 4X12 MFZN	2
B6	3018134600	WITCH P RELAY AS	B60-120, QP2-15C(RSCR DONPER)	1
B7	3015103900	SPRING OVERLOAD	LZ88CY OLP FIXING	1
B8	3811402600	COVER RELAY	LZ88CY	1
B9	3015103800	SPRING COVER RELAY	LZ88CY COVER RELAY FIXING	1
B10	3016002500	COMP WASHER	SK-5 T0.8XW22XL24.5	2
B11	301119V300	CASE VAPORI	PP	1
B12	7112401211	SCREW TAPPING	T1 TRS 4*12 MFZN	1
B13	3016003300	SPECIAL BOLT	T2 M6.5*20	1
B14	3014480010	PIPE WI-CON AS	RFP-301	1
B14-1	3012041500	FIXTURE WI-CON	PP	4
B15	7112401211	SCREW TAPPING	T1 TRS 4*12 MFZN	1
B16	3014479430	PIPE CONN A	DUCT1-0 OD4.76*T0.5	1
B17	3016808200	DRYER AS	10G, SINGLE TUBE	1
B18	3011348111	CORD POWER AS	FR-290(유럽향.N) 이중스토퍼,250V 10/16A	1
B19	7S422X4081	SPECIAL SCREW	TT3 TRS 4X8 SE MFZN	1
B20	3012763210	HARNESS EARTH COMP	FRM-241, L140	1
B21	7S422X4081	SPECIAL SCREW	TT3 TRS 4X8 SE MFZN	2
B22	3012513950	HOSE DRN B	PVC	1

6. PART LIST

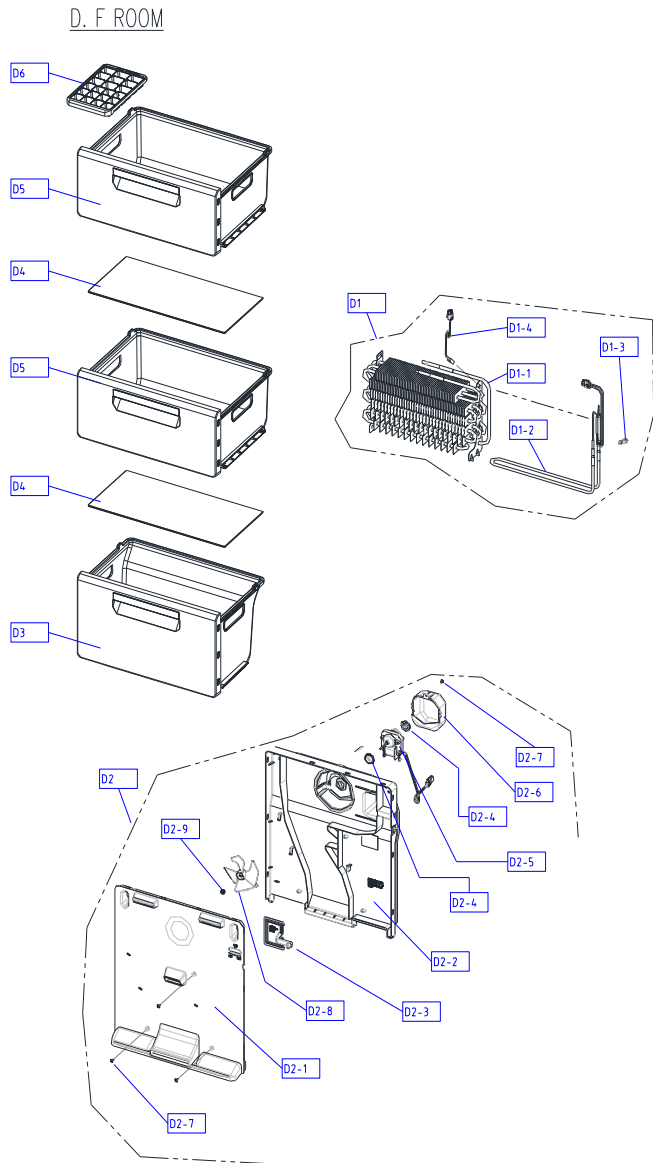
6-3. F/R DOOR Compartment (Dial Type)



NO	PART-CODE	PART NAME	SPEC.	Q'ty
				RN-53*
C1	30100-0191700	ASSY F DR	PCM, FRONT HIDDEN	1
C1-1	30100-0186100	ASSY F DR URT	BAL2	1
C1-2	30114-0084400	COVER CAP HL	ABS	1
C2	30123-0012900	GASKET F DR AS	BAL2	1
C3	30100-0191800	ASSY R DR	PCM, FRONT HIDDEN	1
	30100-0191802		PCM, HIDDEN, DSPNS	
C3-1	30100-0186200	ASSY R DR URT	BASIC	1
	30100-0209100		DISPENSER TYPE	
C4	30123-0013000	GASKET R DR AS	BAL2	1
C5	30152-0004500	STOPPER R DR	POM(NTR)	1
C6	3016047410	PECIAL STOPPER DR BOLT	TAP-TITE 5*16	2
C7	30123-0013000	HOLDER W/TANK	RFP-301	1
C8	30152-0047000	STOPPER W/TANK *L	ABS	1
C9	3015206400	STOPPER W/TANK *R	ABS	1
C10	7112401211	SCREW TAPPING	T1 TRS 4*12 MFZN	2
C11	60142-0022100	PANEL DISPNS AS	ABS	1
C12	3015206400	FIXTURE K	ABS	2
C13	30190-0026000	POCKET DAIRY AS	GPPS(CRYSTAL)	1
C14	3019068720	POCKET R	GPPS(CRYSTAL)	2
C15	30182-0004200	TANK WATER AS	ABS	1
C15-1	30109-0043100	CAP W/TANK COVR	SILICON	1
C15-2	301149FW00	COVER W/TANK	LDPE	1
C15-3	30114-0061200	TANK WATER	GPPS(CRYSTAL)	1
C15-4	3014013100	PACKING DISPNS	SILICON	1
C15-5	3015407000	VALVE WATER AS	FRP-513	1
C16	30190-0016402	POCKET J	GPPS(CRYSTAL)	1
C17	3011190800	CASE EGG TRAY	GPPS(CRYSTAL)	1
C18	30190-0024500	POCKET R A1	GPPS(CRYSTAL)	1

6. PART LIST

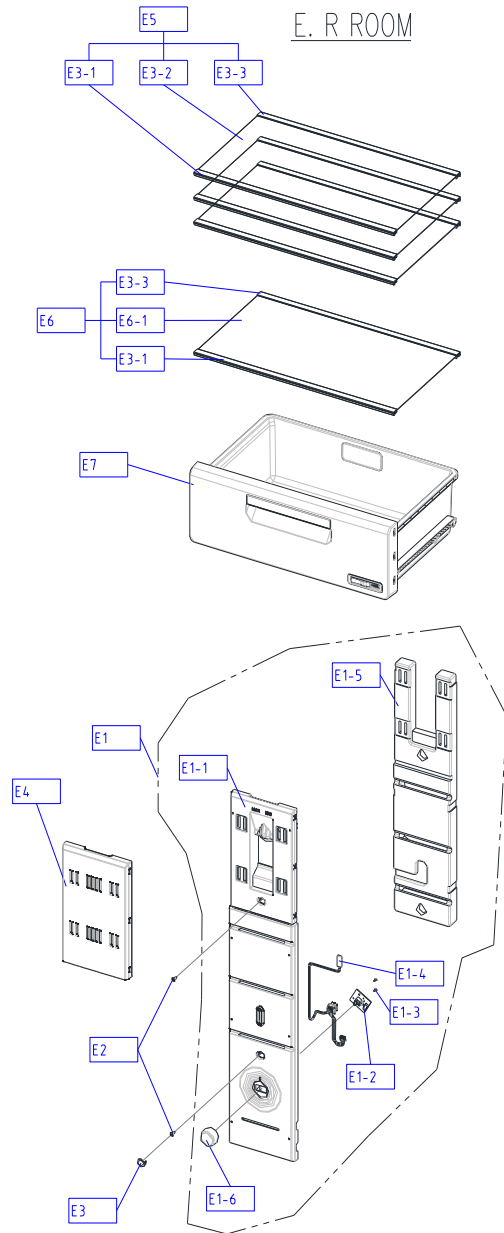
6-4. F ROOM (Dial Type)



NO	PART-CODE	PART NAME	SPEC.	Q'ty RN-53*
D1	3017070000	EVA AS	RFP-301, 230V, 130W	1
D1-1	3017070100	EVA SAS	RFP-301	1
D1-2	3012831200	HEATER SHEATH AS	RFP-301, 230V, 130W	1
D1-3	4856813100	CABLE TIE	DA-140	1
D1-4	3014811400	SENSOR D AS	RFP-301, LOCK TYPE	1
D2	3018932500	LOUVER F AS	RFP-301	1
D2-1	3018932300	LOUVER F A	PP	1
D2-2	3018932400	LOUVER F B	PP	1
D2-3	3013415800	KNOB F CONTL	PP	1
D2-4	3010107100	ABSORBER F MOTR	NBR	2
D2-5	3015922200	MOTOR F AS	AC220V/50HZ,2500RPM	1
D2-6	3010664700	BRACKET FAN MOTR	PP, T2.0	1
D2-7	7112401211	SCREW TAPPING	T1 TRS 4*12 MFZN	4
D2-8	3011835900	FAN	OD100,SHAFT OD3.17	1
D2-9	3011200510	CLAMP FAN	SUS 304 (SPRING)	1
D3	30111-004800	CASE F A2 AS	GPPS(CRYSTAL)+VINYL	1
D4	3017861500	SHELF GLAS F	T3.2 RFP-301	2
D5	30111-004790	CASE F A1 AS	GPPS(CRYSTAL)+VINYL	2
D6	3010564910	CASE ICEING AS	CASE ICEING+VINYL	1

6. PART LIST

6-5.R ROOM (Dial Type)

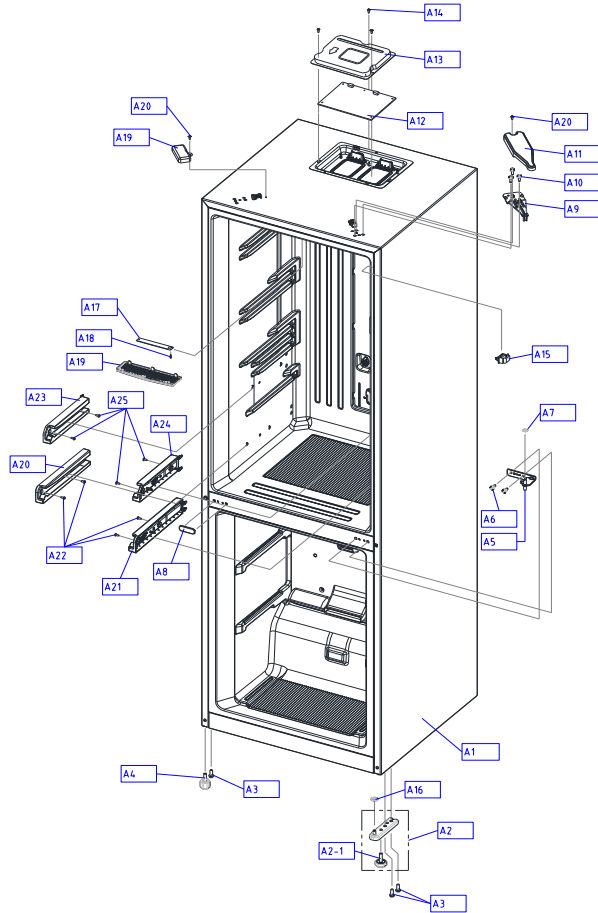


NO	PART-CODE	PART NAME	SPEC.	Q'ty
				RN-53*
E1	30114-0086200	COVER M/FLOW DUCT AS	RFP-301	1
E1-1	301149C300	COVER M/FLOW DUCT	HIPS	1
E1-2	30143KW260	PCB VOLUME AS	BALLISTA VOLUME	1
E1-3	7121300811	SCREW TAPPING	T2S PAN 3X8 MFZN	2
E1-4	60127-0043700	HARNESS PCB VOLUME	RFP-301	1
E1-5	3013387900	INSU M/FLOW DUCT	F-PS	1
E1-6	3013415700	KNOB R CONTL	HIPS	1
E2	7112401411	SCREW TAPPING	T1 TRS 4*14 MFZN	2
E3	3010924600	CAP F LOUVER	HIPS T2.3	1
E4	3015523801	WINDOW M/FLOW DUCT	HIPS	1
E5	30178-0029300	SHELF R AS	RFP-301	3
E5-1	30116-0033100	DECO R SHELF *F	ABS, L490	1
E5-2	30178-0029400	SHELF R GLAS	T3.2*489*313.5	1
E5-3	30116-0033200	DECO R SHELF *B	ABS, L490	1
E6	30114-0086700	COVER V/CASE AS	T3.2	1
E6-1	30114-0086300	COVER GLAS V/CASE	T3.2 * 489 * 295	1
E7	30111-0046300	CASE VEGETB AS	BAL2	1

6. PART LIST

6-1. Cabinet Compartment(Fcp Type)

A. CABINET

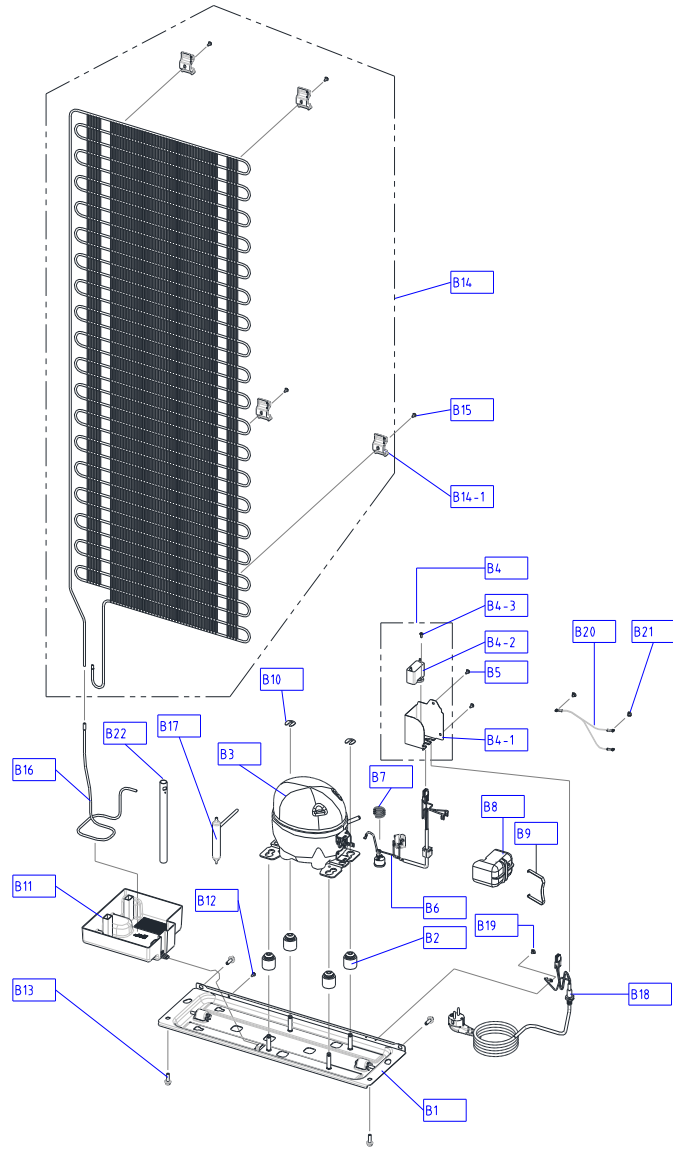


NO	PART-CODE	PART NAME	SPEC.	Q'ty
				RN-53*
A1	30100-0192900	ASSY CAB URT	AC,FCP	1
	30100-0211300		AC,VITA	
	30100-0193600		DC,FCP	
	30100-0206200		DC,VITA	
	30100-0206400		AC,FCP,FRESH	
	30100-0211400		AC,VITA,FRESH	
	30100-0206600		DC,FCP,FRESH	
	30100-0206700		DC,VITA,FRSH	
A2	3012938100	HINGE *U AS	PO T3.2	1
A2-1	3012105300	FOOT ADJ AS	PP+INSERT	1
A3	30160A1700	SPECIAL BOLT	SWCH10A M8*L18	3
A4	3012106500	FOOT ADJ *L AS	PP+INSERT	1
A5	30129-0020200	HINGE *M AS	PO T3.2	1
A6	3016001250	SPECIAL BOLT *M	6X15 SWCH22A(WH)	2
A7	3016044400	SPECIAL WASHER *M HI	SGCC, T1.0X1.D8.5X0.D15	2
A8	3010937710	CAP DV HI HILE *M	HIPS	1
A9	3012937900	HINGE *T AS	PO, T2.6	1
A10	3016001250	SPECIAL BOLT *M	6X15 SWCH22A(WH)	3
A11	3001448500	COVER HI *T	PP(WHITE)	
			PP(GRAY)	
			PP(BLACK)	
A12	30143KW060	PCB MAIN AS	BAL2 DC DIAL BAL2 AC DIAL	1
A13	301149CB00	COVER M/PCB BOX AS	SECC(WHITE)	1
A14	7112401211	SCREW TAPPING	T1 TRS 4*12 MFZN	3
A15	301179DP00	DOOR S/W AS	HC-050K4 250V2.5A	1
A16	3816000200	SPECIAL WASHER	SPCC T1.0 O.D21*I.D8 MFZN	1
A17	330143LR310	PCB FRE LED AS	5-LED, CEM-1, 152X20X1.6T(2PIN)	1
A18	7121301011	SCREW TAPPING	T2S PAN 3X10 MFZN	1
A19	30155-0021100	WINDOW LED	GPPS	1
A20	30125-0036200	GUIDE V CASE *L	PP	1
A21	30125-0036300	GUIDE V CASE *R	PP	1
A22	7112401211	SCREW TAPPING	T1 TRS 4*12 MFZN	4

6. PART LIST

6-2. MACH ROOM Compartment(Fcp Type)

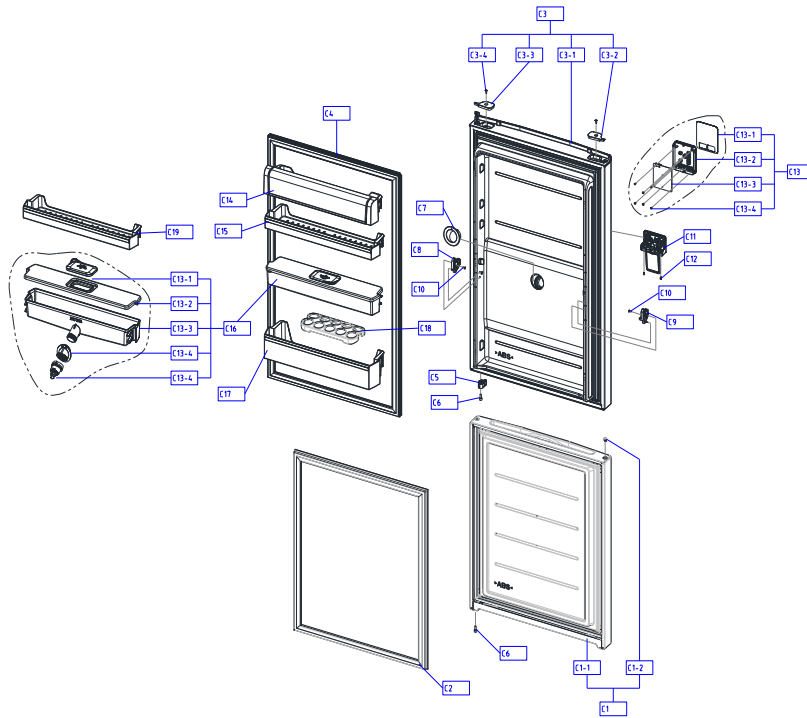
B. MACH ROOM



NO	PART-CODE	PART NAME	SPEC.	Q'ty
				RN-53*
B1	3010365500	BASE COMP AS	RFP-301	1
B2	3010103400	ABSORBER COMP	RUBBER	4
B3	3956188C50	COMPRESSOR	LZ88CY(QLZ12Y) 220-240V 50HZ	1
B4	3010583700	BOX POWER AS	RFP-301(350V/5UF)	1
B4-1	3010552101	BOX POWER	GI/T0.5	1
B4-2	3016405900	CAPACITOR RUN	350V 5UF	1
B4-3	7122401211	SCREW TAPPING	T2S TRS 4*12 MFZN	1
B5	7112401211	SCREW TAPPING	T1 TRS 4X12 MFZN	2
B6	3018134600	SWITCH P RELAY AS	B60-120, QP2-15C(RSCR DONPER)	1
B7	3015103900	SPRING OVERLOAD	LZ88CY OLP FIXING	1
B8	3811402600	COVER RELAY	LZ88CY	1
B9	3015103800	SPRING COVER RELAY	LZ88CY COVER RELAY FIXING	1
B10	3016002500	COMP WASHER	SK-5 T0.8XW22XL24.5	1
B11	301119V300	CASE VAPORI	PP	1
B12	7112401211	SCREW TAPPING	T1 TRS 4*12 MFZN	1
B13	3016003300	SPECIAL BOLT	T2 M6.5*20	4
B14	3014480010	PIPE WI-CON AS	RFP-301	1
B14-1	3012041500	FIXTURE WI-CON	PP	4
B15	7112401211	SCREW TAPPING	T1 TRS 4*12 MFZN	4
B16	3014479430	PIPE CONN A	DUCT1-0 OD4.76*T0.5	1
B17	3016808200	DRYER AS	10G, SINGLE TUBE	1
B18	3011348111	CORD POWER AS	FR-290(유립향.N) 이중스토퍼, 250V 10/16A	1
B19	7S422X4081	SPECIAL SCREW	TT3 TRS 4X8 SE MFZN	1
B20	3012763210	HARNESS EARTH COMP	FRM-241, L140	1
B21	7S422X4081	SPECIAL SCREW	TT3 TRS 4X8 SE MFZN	2
B22	3012513950	HOSE DRN B	PVC	1

6. PART LIST

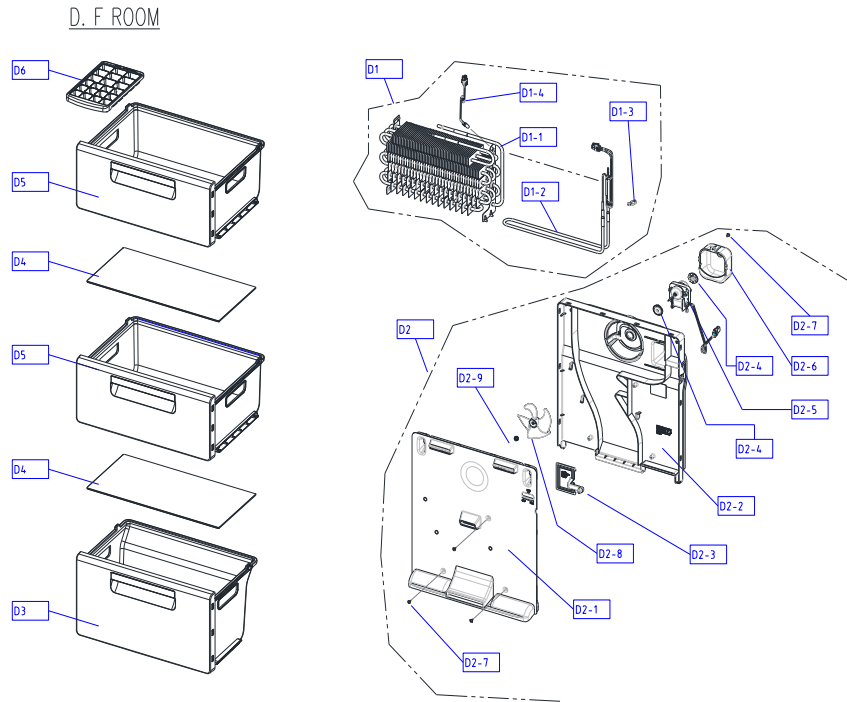
6-3. F/R DOOR Compartment(Fcp Type)



NO	PART-CODE	PART NAME	SPEC.	Q'ty
				RN-53*
C1	30100-0191700	ASSY F DR	PCM, FRONT HIDDEN	1
C1-1	30100-0186100	ASSY F DR URT	BAL2	1
C1-2	30114-0084400	COVER CAP HL	ABS	1
C2	30123-0012900	GASKET F DR AS	BAL2	1
C3	30100-0191800	ASSY R DR	PCM, HIDDEN, DSPNS	1
	30100-0191802		PCM, FRONT HIDDEN	
C3-1	30100-0186200	ASSY R DR URT	DISPENSER TYPE	1
	30100-0209100		BASIC	
C3-2	3011450300	COVER CAP HOLE A	PP	1
C3-3	3011450300	COVER CAP HOLE A	PP	1
C3-4	7112401011	SCREW TAPPING	T1 TRS 4*10 MFZN	2
C4	30123-0013000	GASKET R DR AS	BAL2	1
C5	30152-0004500	STOPPER R DR	POM(NTR)	1
C6	3016047410	SPECIAL STOPPER DR BOLT	TAP-TITE 5*16	2
C7	30123-0013000	HOLDER W/TANK	RFP-301	1
C8	30152-0047000	STOPPER W/TANK *L	ABS	1
C9	3015206400	STOPPER W/TANK *R	ABS	1
C10	7112401211	SCREW TAPPING	T1 TRS 4*12 MFZN	1
C11	60142-0022100	PANEL DISPNS AS	ABS	1
C12	3015206400	FIXTURE K	ABS	2
C13	60142-0022200	PANEL CONTL *F AS	영문 (ENGLISH)	1
	60142-0022201			
	60142-0022202			
C13-1	3014263601	PANEL CONTL *F	ABS	1
C13-2	30155-0019102	WINDOW FCP AS	영문 (ENGLISH)	1
	30155-0019101		국문 (KOREAN)	
	30155-0019100		중문 (CHINA)	
C13-3	40301-0100100	REF PCB FRONT ASSY	BAL2	1
C13-4	7121300811	SCREW TAPPING	T2S PAN 3X8 MFZN	6
C14	30190-0026000	POCKET DAIRY AS	GPPS(CRYSTAL)	1
C15	3019068700	POCKET R	GPPS(CRYSTAL)	2
C16	30182-0004200	TANK WATER AS	ABS	1
C16-1	30109-0043100	CAP W/TANK COVR	SILICON	1
C16-2	301149FW00	COVER W/TANK	LDPE	1
C16-3	30114-0061200	TANK WATER	GPPS(CRYSTAL)	1
C16-4	3014013100	PACKING DISPNS	SILICON	1
C16-5	3015407000	VALVE WATER AS	FRP-513	1
C17	3019068800	POCKET J	GPPS(CRYSTAL)	1
C18	3011190800	CASE EGG TRAY	GPPS(CRYSTAL)	1
C19	30190-0024500	POCKET R A1	GPPS(CRYSTAL)	1

6. PART LIST

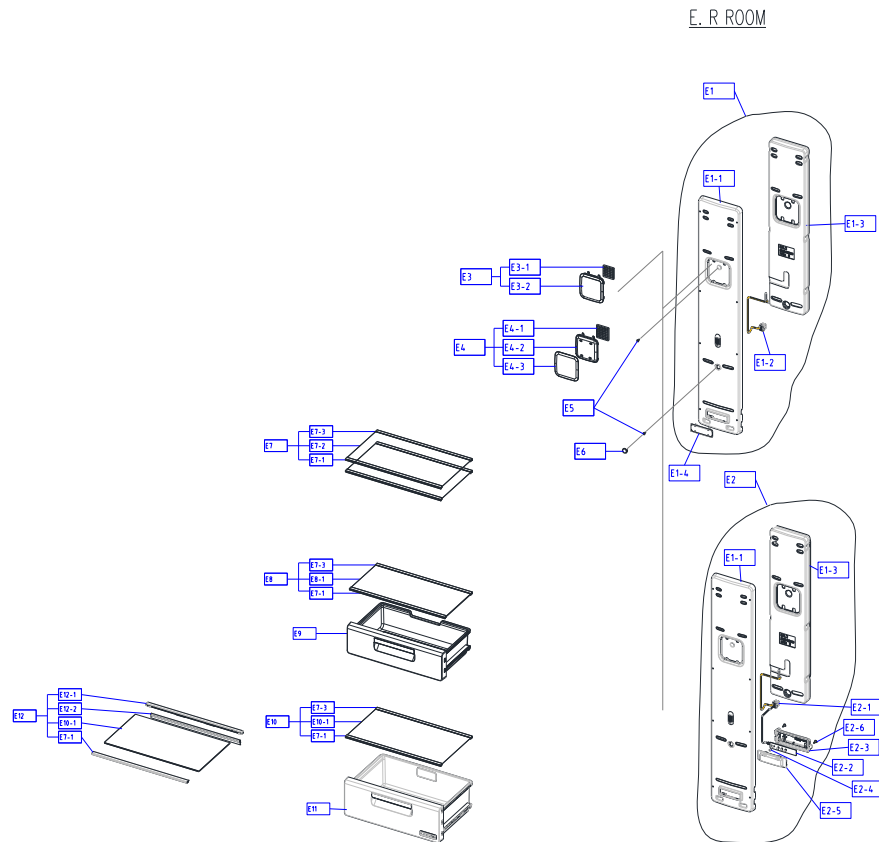
6-4. F ROOM(Fcp Type)



NO	PART-CODE	PART NAME	SPEC.	Q'ty RN-53*
D1	3017070000	EVA AS	RFP-301, 230V, 130W	1
D1-1	3017070100	EVA SAS	RFP-301	1
D1-2	3012831200	HEATER SHEATH AS	RFP-301, 230V, 130W	1
D1-3	4856813100	CABLE TIE	DA-140	1
D1-4	3014811400	SENSOR D AS	RFP-301, LOCK TYPE	1
D2	3018932500	LOUVER F AS	RFP-301	1
D2-1	3018932300	LOUVER F A	PP	1
D2-2	3018932400	LOUVER F B	PP	1
D2-3	3013415800	KNOB F CONTL	PP	1
D2-4	3010107100	ABSORBER F MOTR	NBR	2
D2-5	3015922200	MOTOR F AS	AC220V/50HZ, 2500RPM	1
D2-6	3010664700	BRACKET FAN MOTR	PP, T2.0	1
D2-7	7112401211	SCREW TAPPING	T1 TRS 4*12 MFZN	4
D2-8	3011835900	FAN	OD100, SHAFT OD3.17	1
D2-9	3011200510	CLAMP FAN	SUS 304 (SPRING)	1
D3	30111-0048000	CASE F A2 AS	GPPS(CRYSTAL)+VINYL	1
D4	3017861500	SHELF GLAS F	T3.2 RFP-301	2
D5	30111-0047900	CASE F A1 AS	GPPS(CRYSTAL)+VINYL	2
D6	3010564910	CASE ICEING AS	CASE ICEING+VINYL	1

6. PART LIST

6-5.R ROOM(Fcp Type)



NO	PART-CODE	PART NAME	SPEC.	Q'ty
				RN-53*
E1	30114-0086600	COVER M/FLOW DUCT AS	BAL2, FCP	1
E1-1	30114-0085200	COVER M/FLOW DUCT	PP	1
E1-2	60127-0044900	HARNESS R SENS AS	BAL2, FCP	1
E1-3	30133-0021000	INSU M/FLOW DUCT	F-PS	1
E1-4	30109-0049800	CAP VITA	ABS	1
E2	30114-0085100	COVER M/FLOW DUCT AS	BAL2, FCP, VITA	1
E2-1	60127-0045400	HARNESS VITA AS	F-PS	1
E2-2	60136-0001500	LAMP PCB LED AS	DGD-D10020RB	1
E2-3	30111-0046800	CASE VITA	PP	1
E2-4	7121300811	SCREW TAPPING	T2S PAN 3*8 MFZN	1
E2-5	30155-0022000	WINDOW VITA	GPPS	1
E2-6	712401011	SCREW TAPPING	T1 TRS 4*10 MFZN	2
E3	30109-0050900	CAP COVR DEO AS	BAL2, MHP	1
E3-1	30109-0049300	CAP COVR DEO	ABS	1
E3-2	3011901700	FILTER CATECHIN AS	5T*40*40	1
E4	30114-0088300	COVER DEO AS	BAL2, MHP	2
E4-1	30122-0034800	FRAME DEO	BAL2, GPPS	1
E4-2	60187-0001100	DEO	T5*40*40	1
E4-3	30114-0085300	COVER DEO	PC	1
E5	712401411	SCREW TAPPING	T1 TRS 4*14 MFZN	2
E6	3010924600	CAP F LOUVER	HIPS T2.3	1
E7	30178-0029300	SHELF R AS	RFP-301	3
E7-1	30116-0033100	DECO R SHELF *F	ABS, L490	1
E7-2	30178-0029400	SHELF R GLAS	T3.2*489*313.5	1
E7-3	30116-0033200	DECO R SHELF *B	ABS, L490	1
E8	30114-0088000	COVER FRESH CASE AS	BAL2, MHP	1
E8-1	30114-0087900	COVER GLAS FRESH	T3.2*489*243	1
E9	30111-0046500	CASE FRESH AS	BAL2	1
E10	30114-0086400	COVER V/CASE AS	BAL2, BASIC	1
E10-1	30114-0086300	COVER GLAS V/CASE	T3.2 * 489 * 295	1
E11	30111-0046300	CASE VEGETB AS	BAL2	1
E12	30114-0086400	COVER V/CASE AS	BAL2, MHP	1
E12-1	30116-0032700	DECO COVR VEGETB *B	HIPS	1
E12-2	30123-0013600	GASKET V/CASE	BAL2, MHP	1