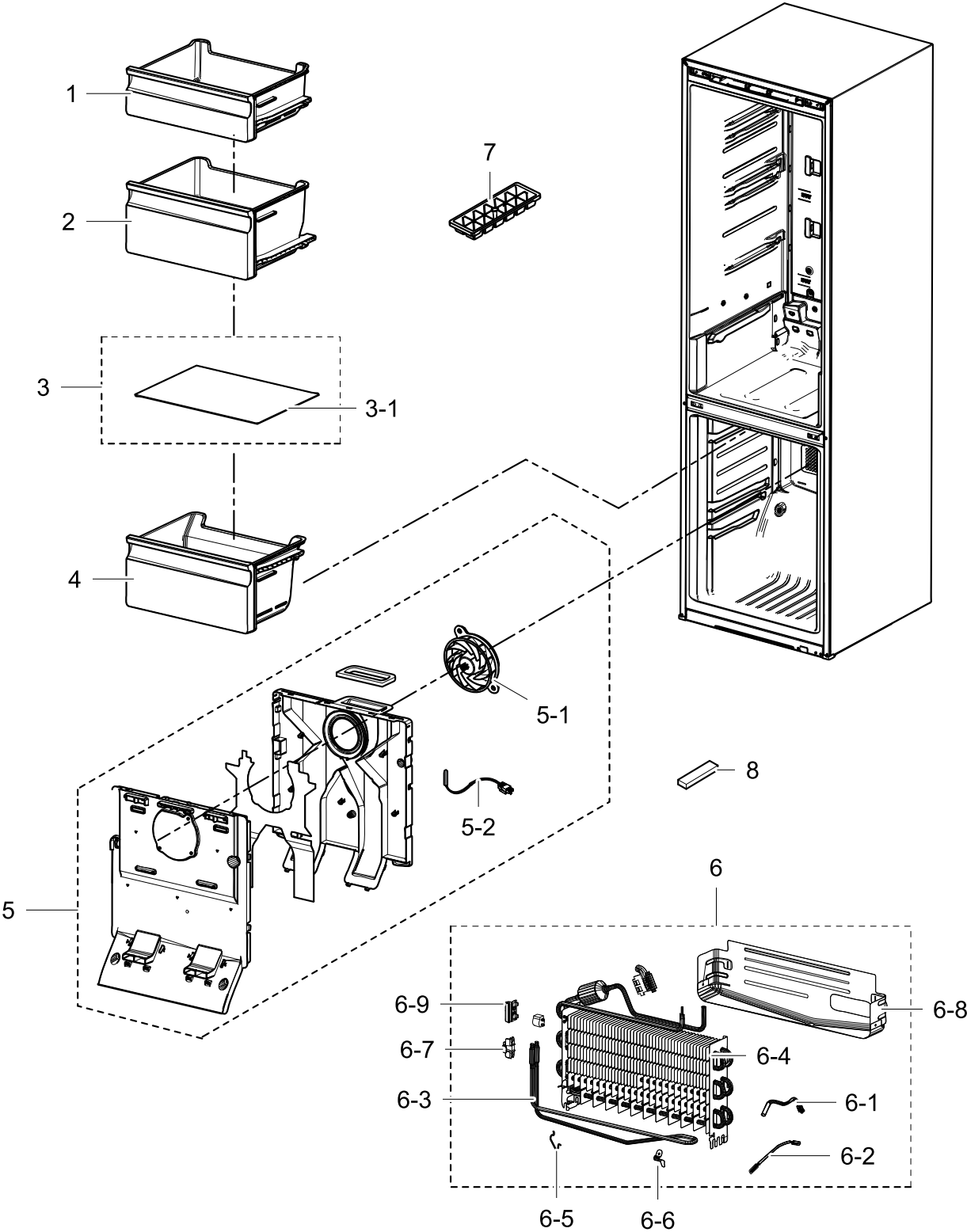


1. Freezer

Exploded View

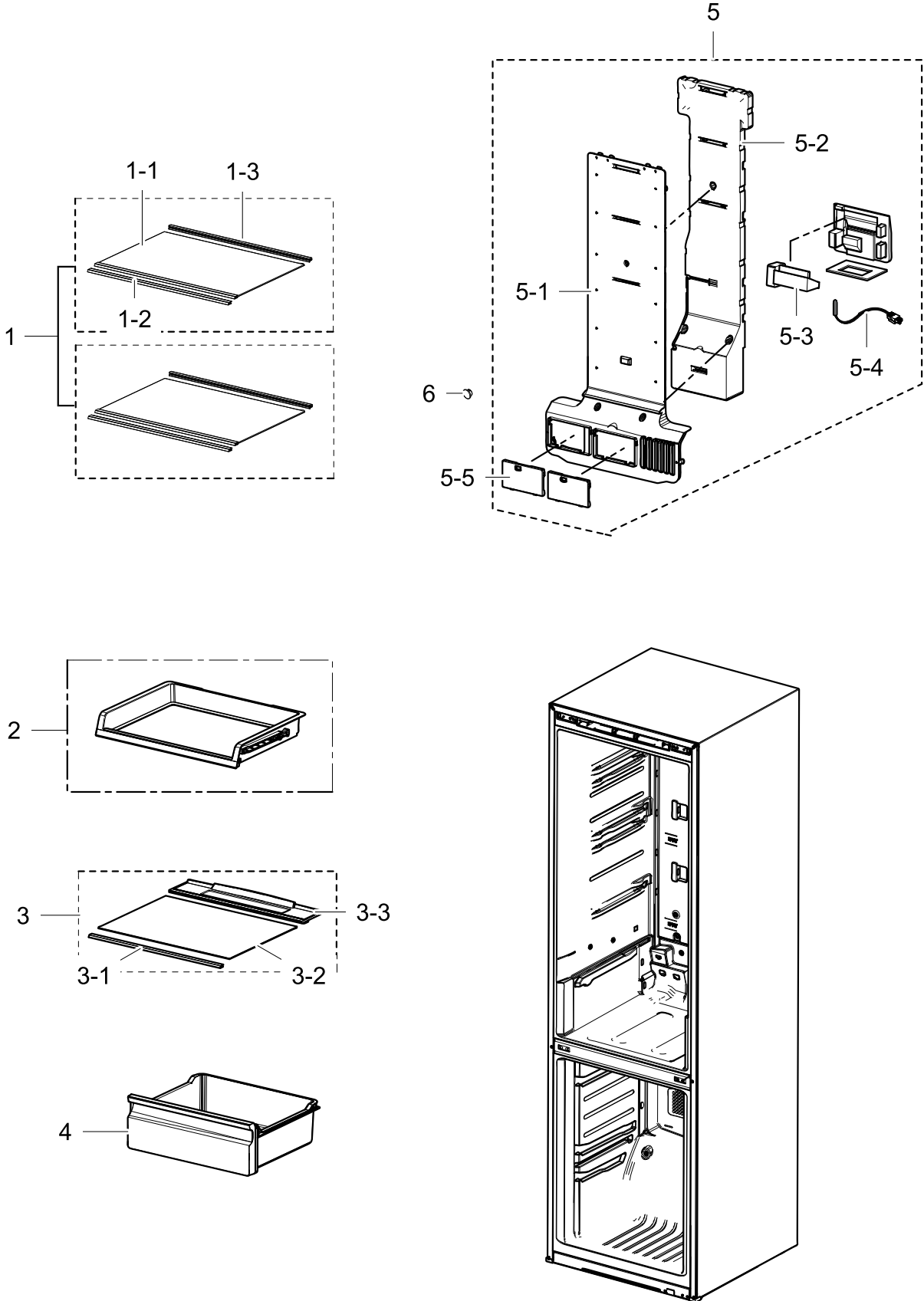


Parts List

No.	Lvl.	Loc.	Material Code	Description & Specification	SNA	Qty.
1	2	M0121	DA97-13480A	ASSY TRAY-FRE UPP; 3050,W479.1,L394.3	SA	1
2	2	G0268	DA97-13472A	ASSY TRAY-FRE MID; 3050,W466.3,H227.0	SA	1
3	2		DA97-15985A	ASSY SHELF GLASS-FRE; RL31/29,NO TRIMS	SA	1
3-1	3	A0720	DA67-03645N	GLASS-SHELF FRE; RL310/290,TEMPERED GLASS	SNA	1
4	2	G0267	DA97-13475A	ASSY TRAY-FRE LOW; 3050,W466.2	SA	1
5	2	M0303	DA97-19096A	ASSY COVER EVAP-FRE; 3050.,NTR,NATURAL	SA	1
5-1	3		DA31-00334C	MOTOR BLDC FAN; 12035GE-12M-YT,17757%,1	SA	1
5-2	3	A1018	DA32-10105X	SENSOR TEMP; PX-41C,502AT,DKST1329GW,QUEE	SA	1
6	2	A0163	DA96-01009C	ASSY EVAP-FRE; 3050-BMF	SA	1
6-1	3	A1018	DA32-00006D	SENSOR TEMP; PX-41C,502AT,DKST1329GW,EXPO	SNA	1
6-2	3	A1008	DA47-00301D	THERMO FUSE-ASSY; AC250V,10A,109~110??S	SA	1
6-3	3	A0921	DA47-00460A	HEATER METAL SHEATH; AC230V,3050 BMF, 352	SA	1
6-4	3	A0742	DA59-00555A	EVAP FRE; FIN TUBE,AL,3050-PJT	SNA	1
6-5	3		DA61-02526A	FIXER-EVAP FRE,SUB; NEXT,AL,2.0,-,-	SNA	1
6-6	3	M9010	DA61-03644A	PLATE-EVAP HEATER; AW-PJT,Al,T0.7	SA	1
6-7	3	G0205	DA61-07410A	FIXER-HEATER FRE; NW2,PP,NATURAL,BJ750	SA	1
6-8	3	A0754	DA61-08936A	PLATE-DRAIN; 3050,GI-SGCC,T0.3	SA	1
6-9	3	A0744	DA61-07411A	FIXER-FUSE; NW2,PP,NATURAL,BJ750	SA	1
7	2	A0120	DA67-40146B	TRAY ICE; SR-1500,PP,HB,COOL WHITE	SA	1
8	2		DA72-60040W	SEAL-CUTT RUBBER; TD-PJT,BUTYL RUBBER,BLA	SA	1

2. Refrigerator

Exploded View

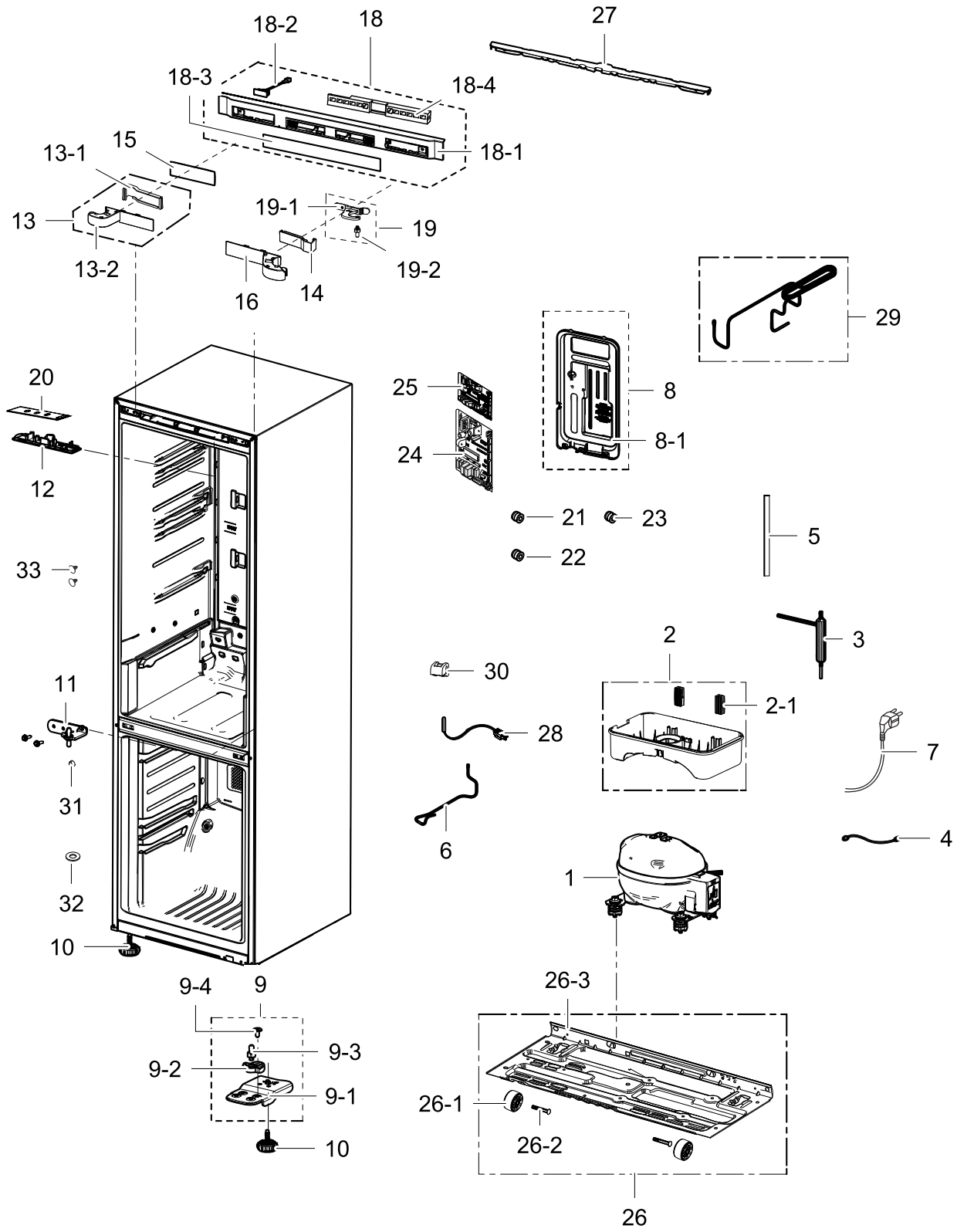


Parts List

No.	Lvl.	Loc.	Material Code	Description & Specification	SNA	Qty.
1	2		DA97-13502D	ASSY SHELF GLASS-REF; RL31/29,COOL WHITE	SA	2
1-1	3	A0720	DA67-03645K	GLASS-SHELF REF; RL310/290,TEMPERED GLASS	SNA	2
1-2	3		DA64-04392A	TRIM SHELF-FRONT; RT320,ABS,SV-0157,COOL	SNA	2
1-3	3		DA64-04395A	TRIM SHELF-REAR; RT320,ABS,SV-0157,COOL W	SNA	2
2	2		DA97-13616A	ASSY SHELF SLIDE-OUT; 3050(RL310),HOT STA	SA	1
3	2		DA97-13550A	ASSY SHELF-VEG; RL31/29 BETTER,SHELF VEG	SA	1
3-1	3		DA64-04392D	TRIM SHELF-FRONT VEG; RL31/29,HIPS,HIPS+S	SNA	1
3-2	4	A0720	DA67-03645M	GLASS-SHELF VEG; RL310/290,TEMPERED GLASS	SNA	1
3-3	3		DA67-03652A	SHELF-VEG; RL310/290,ABS,COOL WHITE	SNA	1
4	2	M0236	DA97-13474A	ASSY CASE-VEG LOW; 3050,W479.2,H175,6	SA	1
5	2	G0239	DA97-13715B	ASSY COVER MULTI-REF; 3050_BMF,RB31, NON	SA	1
5-1	3	A0689	DA63-07480A	COVER-MULTI REF; 3050_BMF,PP,HB,COOL WHIT	SNA	1
5-2	3		DA62-04188B	INSULATION-MULTI; 3050_BMF,PS FOAM,WHITE,	SNA	1
5-3	3	G0242	DA31-00043F	MOTOR GEARED DC DAMPER; NSBA001TF1,DC 12V	SA	1
5-4	3	A1018	DA32-00006N	SENSOR TEMP; PX41C,502AT,DKST1329,TGV,-40	SC	1
5-5	3		DA63-06337A	COVER-CONV MULTI; GRAND CRU,PP,HB,COOL WH	SA	2
6	2	A0270	DA67-30266K	CAP SCREW; A-TOP,PP,T1.5,HB,BJ750,COOL WH	SA	1

3. Cabinet

Exploded View



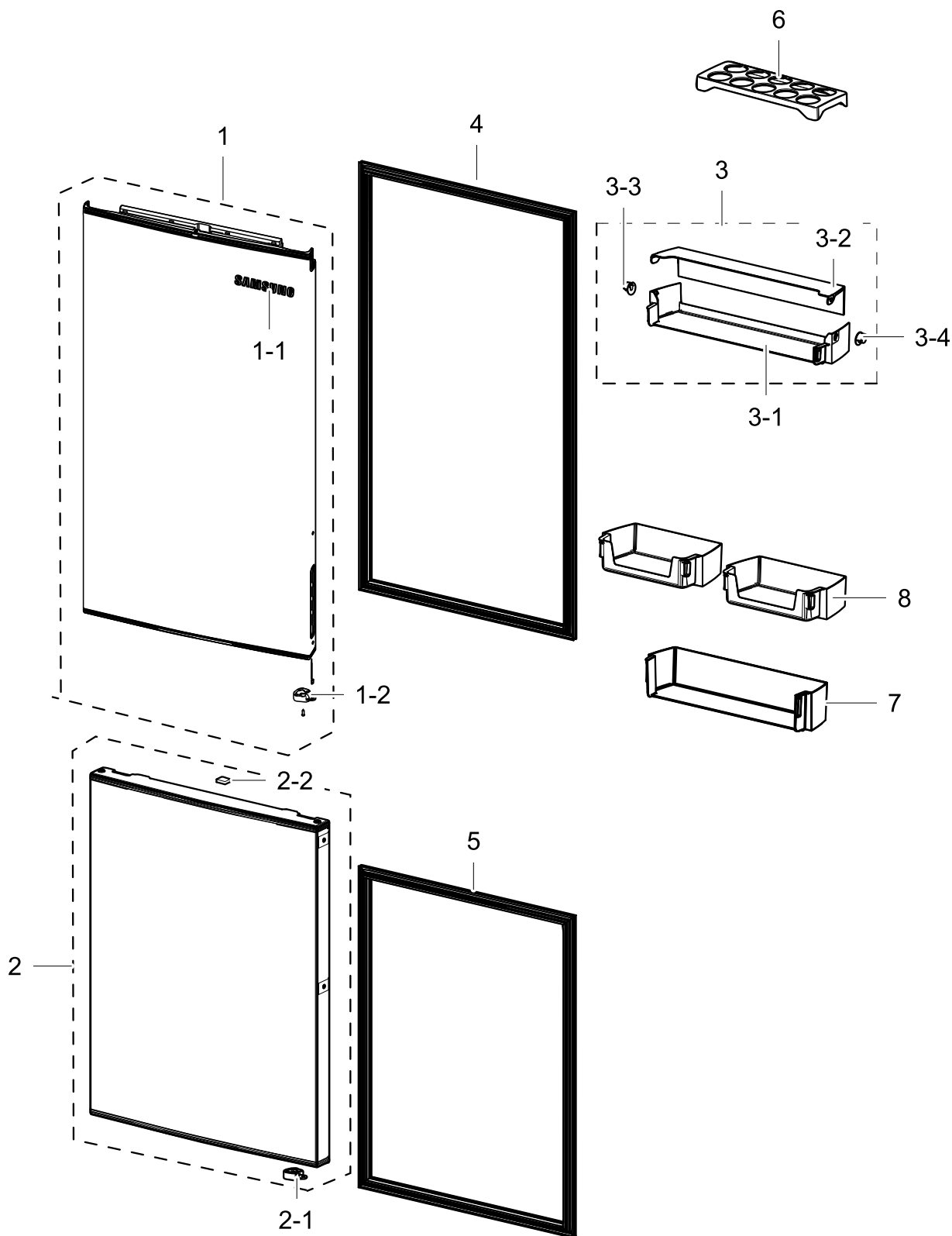
Parts List

No.	Lvl.	Loc.	Material Code	Description & Specification	SNA	Qty.
1	2		NC4AV80ALR/TT3	CMP,COMP,REFRIGERATOR,R600A; CMP,COMP,REFRIGERATOR,R600A		1
2	2	A0529	DA97-13658B	ASSY TRAY DRAIN WATER; 3050BMF,A1 COMP	SA	1
2-1	3		DA63-08036B	GROMMET-LOW; PVC,GRAY	SA	2
3	2	A0669	DA62-04309C	DRYER; Cu,118,SINGLE MOUTH,6g	SA	1
4	2	A0562	DA39-20389A	ASSY WIRE HARNESS-EARTH; ALL,FREE VOLT,UL	SA	1
5	2	A0523	DA73-10190U	PIPE-CONNECT DISC,B; ALL,Cu,C1220T,OD6.35	SA	1
6	2		DA62-04325A	PIPE CONNECT; 3050,Cu,C1220T,OD6.35,T0.6	SA	1
7	2	A0273	3903-000793	CBF-POWER CORD; AT,E.U.,EU3F,3C,250V,16A,B	SA	1
8	2	M0306	DA97-13562A	ASSY COVER-PCB PANEL; 290, 310,GI,3050	SA	1
8-1	3		DA63-07420A	COVER-PCB PANEL; BMF,GI-SGCC,T0.5,3050	SNA	1
9	2	A0515	DA97-13557B	ASSY HINGE LOW; 3050_BMF	SA	1
9-1	3	A0247	DA61-08990A	HINGE-LOW; 3050PJ,PO-SPHC,T3,LMF	SA	1
9-2	3	A0516	DA61-08991A	GUIDE-AUTO CLOSE; 3050PJ,PA66,NTR,LMF	SA	1
9-3	3	A0518	DA66-00385A	SHAFT-HINGE; CORE,SWRCH10A,NATURAL,ZPC3(W	SA	2
9-4	3	A0848	DA81-01532A	SCREW-MACHINE; BH,+,M5,L12.7,ZPC(WHT),SWR	SA	1
10	2	Z1128	DA61-07546B	LEG-FRONT; GRAND CRU,PP,BLACK,RM60,PP Scr	SA	2
11	2	A0513	DA97-13564A	ASSY HINGE MID; 3050_BMF	SA	1
12	2	A0280	DA63-08570A	COVER LAMP; 3050-BMF,GPPS,T2,TP BLUE	SNA	1
13	2		DA91-04465A	ASSY INSTALL-ACCESSORY; SNOW WHITE	SA	1
13-1	3		DA67-03636B	CAP SPACE-DOOR L; 3050,ABS,HB,HG-0760GPS	SA	1
13-2	3	G0214	DA63-07385B	COVER WIRE-HINGE L; 3050,ABS,HB,SNOW WHIT	SA	1
14	2		DA67-03647B	CAP SPACE-DOOR R; 3050,ABS,HB,HG-0760GPS	SA	1
15	2		DA61-08932B	CAP CONTROL-PANEL; 3050,ABS,HB,HG-0760GP,	SA	1
16	2	G0213	DA63-07384B	COVER WIRE-HINGE R; 3050,ABS,HB,SNOW WHIT	SA	1
18	2	G0022	DA97-13131B	ASSY COVER CONTROL-PANEL; 3050PJT BMF,ASS	SA	1
18-1	3	A0506	DA63-07352B	COVER-CONTROL PANEL; 3050,ABS,HB,SNOW WHI	SA	1
18-2	3	G0068	DA34-00043A	SWITCH REED; UL1007 AWG 22,100mm,DEM1-B50	SA	1

No.	Lvl.	Loc.	Material Code	Description & Specification	SNA	Qty.
18-3	3	A0566	DA64-04355C	INLAY-DISPLAY; 3050_BMF,PC,SNOW WHITE,T0.	SA	1
18-4	3		REF-PBA1D0048	3050 DISPLAY INNER BMF TSE; 3050 DISPLAY INNER BMF TSE		1
19	2	A0705	DA97-13567A	ASSY HINGE UPP; 3050_BMF	SA	1
19-1	3	A0510	DA97-13566A	ASSY HINGE UPP-SUB; 3050_BMF	SA	1
19-2	3	A0518	DA66-00385A	SHAFT-HINGE; CORE,SWRCH10A,NATURAL,ZPC3(W	SA	2
20	2	G0090	DA41-00519R	ASSY LAMP LED; 3ea,CEM-1,FR-4 65*10*1.6T,	SA	1
21	2		DA60-00279A	FITTING-LOKRING 16; SUM23,16, 11SMnPb30K	SA	1
22	2		DA60-00280A	FITTING-LOKRING 33; SUM23,33, 11SMnPb30K	SA	1
23	2		DA60-00281A	FITTING LOKRING; SUM23,ID5.02,11SMnPb30K,	SA	1
24	1	A0952	DA92-00849A	ASSY PCB MAIN; BETTER,3050-PJT,148*197,23	SA	1
25	1		DA92-00459Y	ASSY PCB INVERTER; INVERTER,BMF3050,148*9	SNA	1
26	2	A0526	DA97-14151A	ASSY CHASSIS COMP; 3050-PJT,GI-SGCC, T0.8	SA	1
26-1	3	A0527	DA61-06202A	CASTER-REAR; GRAND-CRU,PP,NATURAL	SA	2
26-2	3	A0861	DA60-90146A	PIN-CASTER; SR-289-429,MSWR,L38,ZPC2	SA	2
26-3	3	A0526	DA97-13454A	ASSY CHASSIS COMP; 3050-PJT,T0.8,RB31	SC	1
27	2	G0215	DA63-07383B	COVER-WIRE DOOR; 3050 BMF,ABS,SNOW WHITE,	SA	1
28	2	A1018	DA32-10105F	SENSOR TEMP; 502AT,PX-41C,DKST1329GW,ACE,	SA	1
29	2		DA97-13649A	ASSY PIPE IMMERRING; 3050_LMF,RL29,31	SNA	1
30	2		DA63-07475A	GROMMET-IMMERSION PIPE D; 3050_LMF,NBR,20	SA	1
31	2	A0270	DA67-30218R	CAP SCREW; PP,T1,HB,BJ750,SNOW WHITE,SNOW	SA	1
32	2		DA66-00073C	WASHER-SHAFT, C; SR-32,35,PVC,T1.0	SA	1
33	2	A0297	DA67-02684A	CAP SCREW; GRAND CRU,ABS,T1,HB,HG-0760GP,	SA	2

4. Door

Exploded View



Parts List

No.	Lvl.	Loc.	Material Code	Description & Specification	SNA	Qty.
1	2	A0052	DA91-03974H	ASSY DOOR FOAM REF; 310,GOOD,S/WHITE,BASI	SA	1
1-1	3	M0196	DA64-04020C	MASCOT; ALL,Ni,T0.06,L80	SA	1
1-2	5		DA66-01011A	LEVER-AUTO CLOSE; 3050PJ,POM,NTR,LMF	SA	2
2	2	A0051	DA91-03957F	ASSY DOOR FOAM FRE; 3050-PJT,RB29F,WW,Sno	SA	1
2-1	5		DA66-01011A	LEVER-AUTO CLOSE; 3050PJ,POM,NTR,LMF	SA	2
2-2	5	A0534	DA61-03769B	MAGNET; SVETA,FERRITE,1600Gauss	SA	1
3	2	A0636	DA97-15689A	ASSY GUARD DAIRY; 3050_BMF,ASSY	SA	1
3-1	3		DA63-07404A	GUARD-DAIRY CASE; 3050,GPPS,TP BLUE,HB,16	SA	1
3-2	3		DA63-07405A	GUARD-DAIRY COVER; 3050,GPPS,TP BLUE,HB,1	SA	1
3-3	3		DA67-02920A	CAP-HINGE DAIRY R; HERMES,POM,NTR	SA	1
3-4	3		DA67-02921A	CAP-HINGE DAIRY L; HERMES,POM,NTR	SA	1
4	2	A0535	DA97-13594B	ASSY-GASKET DOOR REF; RB31,3050,GASKET-SE	SA	1
5	2		DA97-12383Y	ASSY-GASKET DOOR; GRAND-CRU, FRE RL56, RB	SA	1
6	2	A0656	DA63-07346A	TRAY EGG; 3050,GPPS,-,HB,TP BLUE,165N,HI-	SA	1
7	2	A0151	DA63-08118A	GUARD BOTTLE; RB5000J,GPPS,T3,TP BLUE	SA	1
8	2	A0153	DA63-08117A	GUARD VARIETY; RB5000J,GPPS,T3,TP BLUE,16	SA	2