

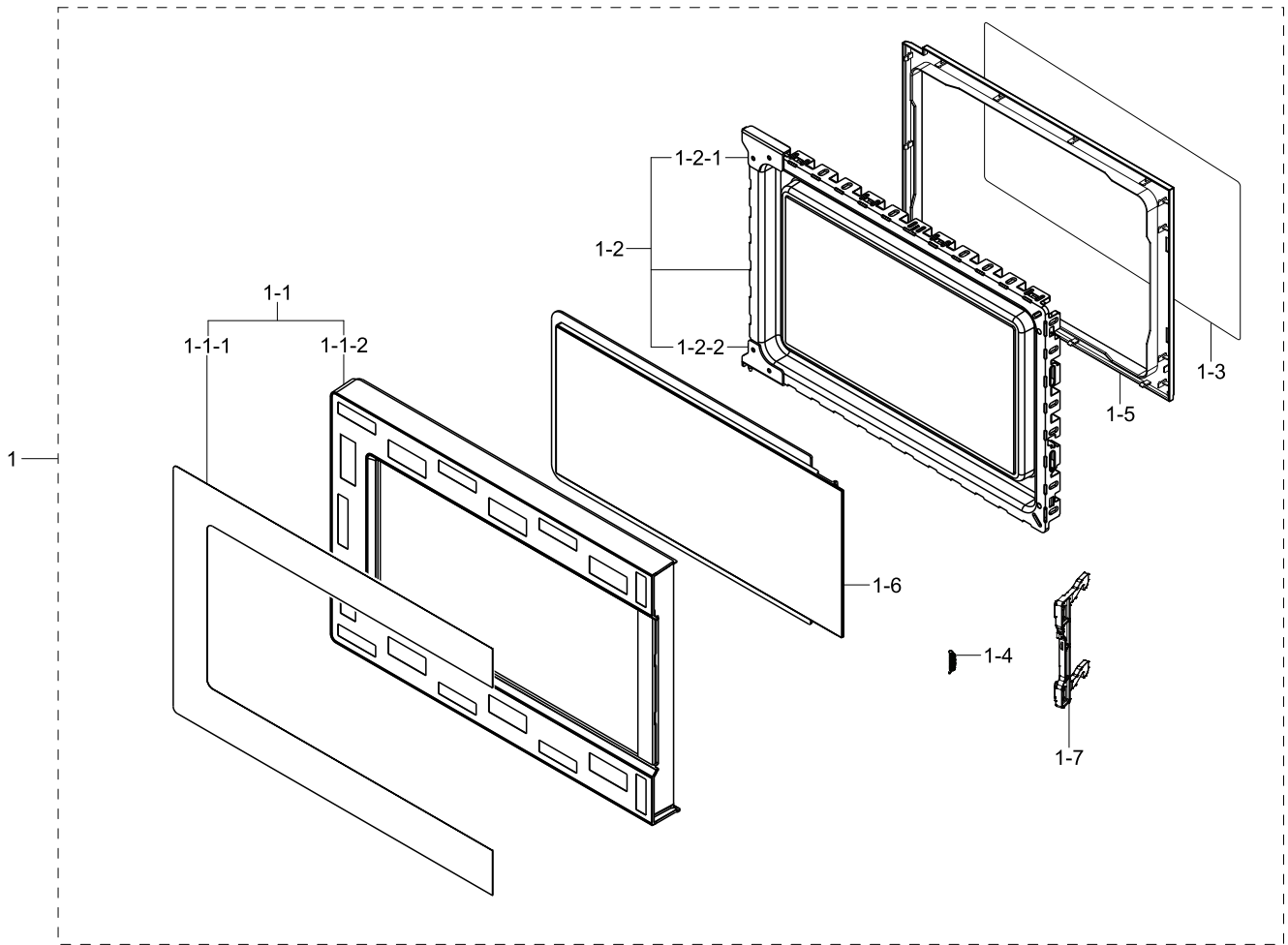
Exploded Views and Parts List

No.	Lvl.	Loc.	Material Code	Description & Specification	SNA	Qty.
4	2	M034	DE67-00258A	COUPLER; 0.7ECO PLATFORM,PPS,BROWN,0103-0	SA	1
5	2	M099	DE66-00226A	LEVER DOOR; 0.7ECO PLATFORM,PP,WHITE	SA	1
6	1		DE96-00907A	ASSY-POWER PACK; 0.8 GRILL,0.8 GRILL	SNA	1
6-1	2	M038	DE26-00144A	TRANS H.V; SHV-EURO4-1,230V,2370V/3.50V,A	SA	1
6-2	2	M039	2501-001011	C-OIL HIGH VOLTAGE; 910nF,2100V,BK,34x54x	SA	1
6-3	2	M527	DE59-00002A	DIODE-H.V; MWO,2CL4512H/CL04-12A,500mA,12	SA	1
6-4	2	M042	DE91-70061C	ASSY H.V.FUSE; THV060T,5KV,700mA,SCREW,BL	SA	1
6-5	2	M035	OM75P(31)ESGN	ASSY-MGT; ASSY-MGT		1
7	2	M049	DE31-10154D	MOTOR AC DRIVE; 8,21V,50/60Hz,3W,5/6rpm	SA	1
8	2	M048	DE61-01262A	BASE PLATE; 0.7ECO PLATFORM,GI-SGCC,T0.5	SNA	1
10	2		DE66-00219A	WIRE-BAND; ALL CMO MODEL,PP,,,,,,,,,T0.9	SNA	1
11	1		DE94-03467A	ASSY HOLDER; MWO MODEL,DE94-02265E+DE96-0	SNA	1
11-1	2	B022	DE94-02265E	ASSY BODY LATCH; ECO PUSH BUTTON,1A DOOR	SA	1
11-1-1	3	B076	DE66-00225A	LATCH BODY; 0.7/0.8 ECO PLATFORM,PP,WHITE	SNA	1
11-1-2	3	B048	3405-001034	SWITCH-MICRO; 125/250VAC,16A,200gf,SPST-N	SA	1
11-1-3	3	B046	3405-001032	SWITCH-MICRO; 125/250VAC,16A,200gf,SPDT,T	SA	1
11-1-4	3	L0001	DE66-00234A	LEVER SWITCH; MW73B,POM,NC0001,F20-03,WHI	SNA	1
11-1-5	3	S0021	3405-001116	SWITCH-MICRO; 125/250VAC,1A,200gf,SPST-NO	SA	1
11-2	2	W001	DE96-00865A	ASSY WIRE HARNESS; 0.8 S_Grill,230VAC,230	SA	1
12	2	M451	DE47-20032B	THERMOSTAT; 125/250V,15/7.5A,85,75,NORMAL	SA	1
13	2	M436	DE47-20009A	THERMOSTAT; 125/250V,15/7.5A,150,60,NORMA	SA	1
14	1	P141	DE94-02322D	ASSY CAVITY-COATING; 0.8 CU.FT,GE83XR,0.8	SNA	1
14-1	2	Z778	DE94-02324D	ASSY CAVITY-WELDING; 0.8 ECO FIXED GRILL,	SNA	1
15	2	M036	4713-001524	LAMP-INCANDESCENT; 22x53,BK,20,230,CLEAR,	SA	1
16	2	M017	DE96-00399A	ASSY NOISE FILTER; SN-UF11A,250V/15A,250V	SA	1
16-1	3	M019	3601-001197	FUSE-CARTRIDGE; 250V,15A,SLOW-BLOW,CERAMI	SA	1
17	1	M015	DE96-00385E	CBF-POWER CORD; AT,EUROPE,EU3S,,,,Gray,11	SA	1

No.	Lvl.	Loc.	Material Code	Description & Specification	SNA	Qty.
18	2	M020	DE96-00848E	ASSY MOTOR FAN; GE73M/XEO,230V50HZ,2450R.	SA	1
18-1	3	M023	DE31-10185A	MOTOR AC FAN; SMF-3RDEA1,2,230V,50Hz,20W,	SA	1
18-2	3	H099	DE31-90057A	BLADE-FAN; 3RD-W,PP,T1.5,T1.5	SA	1
18-3	3		DE63-00788A	COVER BLOWER; ECO, NC2K,PP,T1.2,HB,NATURA	SA	1
19	2	M037	DE63-00651A	COVER AIR; 0.7ECO PLATFORM,GI-SGCC,T0.4	SA	1
20	2	M051	DE71-00159A	COVER-CEILING; CN2835,MICA SHEET,T0.3,W11	SA	1
21	2	M040	DE61-01263A	BRACKET-HVC; 0.7ECO PLATFORM,EGI-SECC,T0.	SA	1
22	2	P021	DE63-00008J	CUSHION SPONGE; PU FOAM,PUT-FOAM,T4,W8,L1	SNA	1
23	1	F409	DE94-03437A	ASSY FOOT; MG23J5133AM/AP,PP,BLACK	SNA	1
23-1	2	Z785	DE61-00304A	FOOT RUBBER; DE6612N,RUBBER,BLACK,T3,0.6/	SNA	1
23-2	2	M047	DE61-40066A	FOOT; PP,BLK	SA	1
24	1		DE90-01069A	ASSY GRILL PARTS; GE83XR,ENAMEL,0.8 ECO F	SNA	1
24-1	2	H061	DE47-00016A	HEATER SHEATH-GRILL; AC230V,BKT,1100W(108	SA	1
24-2	2	M008	DE63-00049B	GASKET-HEATER; BRASS,T1.0,NATURAL	SNA	1
24-3	2	M012	DE61-01529A	BRACKET HEATER; 1.1 CELLO,EGI-SECC,T0.8	SNA	1
24-4	2	M003	DE61-01318A	BRACKET-UPPER(GRILL); 0.8 Chic,EGI-SECC,T	SA	1
24-5	2	M535	DE61-30008A	SUPPORT HEATER; GE87H/BAL,ALUMINA,T12,W11	SNA	1
24-6	2	M005	DE61-70060A	SPRING-PLATE; SK5,T0.5	SNA	1
24-7	2	M483	DE65-20014A	CABLE CLAMP; NY-66,DA-6N	SNA	1
24-8	2	M480	6502-001085	CABLE CLAMP; DALC-4,ID5.3,T0.5,GA-SGCC,BL	SNA	1
24-9	2	P186	DE63-00678A	COVER BACK; 0.8 chic,EGI-SECC,T0.4,GRILL	SNA	1
25	2	M447	DE47-20010A	THERMOSTAT; 125/250V,15/7.5A,120,60,NORMA	SA	1

1.1. Assy Door

Exploded View



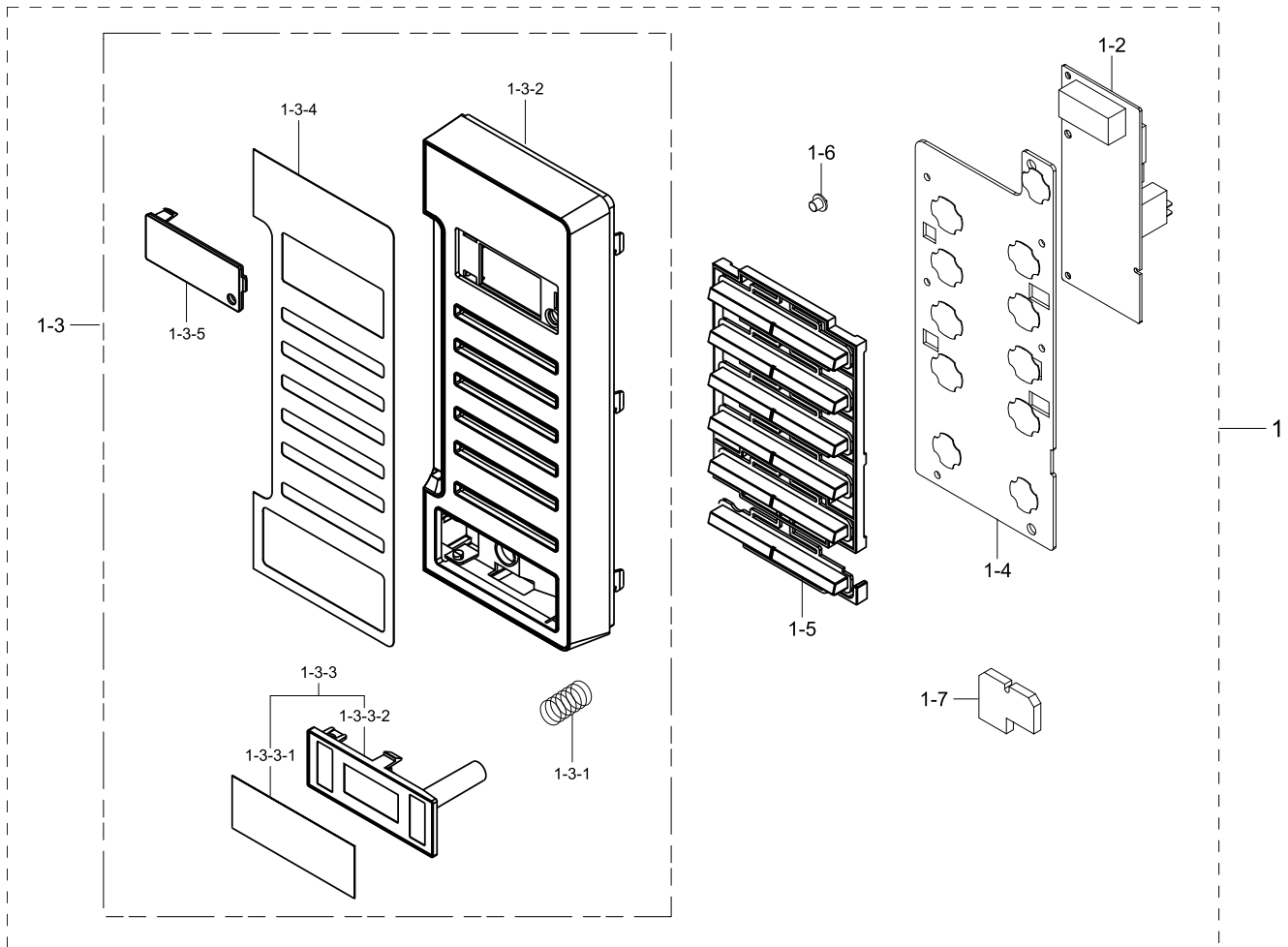
Parts List

No.	Lvl.	Loc.	Material Code	Description & Specification	SNA	Qty.
1	1	D049	DE94-02898A	ASSY DOOR; GE712MR,HG0760SR,BLACK,Marimba	SA	1
1-1	2	D037	DE94-02893A	ASSY DOOR A; ME73MR,HG0760SR,BLACK,MARIMB	SA	1
1-1-1	3	Z779	DE64-02623A	INLAY-DOOR; MARIMBA,STAINLESS-ST5430,T0.4	SA	1
1-1-2	3	D002	DE64-02621A	DOOR A; ME73MR,ABS,BLACK,Marimba	SNA	1
1-2	2	D004	DE94-02262B	ASSY DOOR E-COATING; MW73BR,SCP T0.4,BLAC	SA	1
1-2-1	4		DE61-01269A	BRACKET-DOOR HINGE(UPPER); 0.7ECO PLATFOR	SNA	1
1-2-2	4		DE61-01270A	BRACKET-DOOR HINGE(LOWER); 0.7ECO PLATFOR	SNA	1
1-3	2	D005	DE64-00221E	FILM DOOR; -,CE2877N,PET,T0.15,W143,L264,	SNA	1

No.	Lvl.	Loc.	Material Code	Description & Specification	SNA	Qty.
1-4	2	D007	DE61-00198A	SPRING KEY; M1877,HSWR-SWRH,PI0.7,D6,24 1	SNA	1
1-5	2	D006	DE64-02354A	DOOR C; 0.7ECO PLATFORM,PP,-,HB,T332,BLAC	SNA	1
1-6	2	D024	DE64-02616A	SCREEN DOOR-B; ME712MR,SAN,black,Marimba	SNA	1
1-7	2	D011	DE64-02355A	KEY DOOR; 0.7ECO PLATFORM,POM,BLACK	SA	1

1.2. Assy Control

Exploded View



Parts List

No.	Lvl.	Loc.	Material Code	Description & Specification	SNA	Qty.
1	1	C082	DE94-02918A	ASSY CONTROL BOX; GE87M/XEF,BLACK,ABS,0.8	SNA	1
1-2	2	F316	DE92-03439M	ASSY PCB MAIN; RCS-SMS3L-295,MUSE2-PJT,30	SA	1
1-3	2		DE94-02916A	ASSY CONTROL PANEL-(TACT); GE87M/XEF,BLAC	SA	1
1-3-1	3	R014	DE61-70076A	SPRING-BUTTON; HSWR-SWRH,PI0.6,OD19,L23,5	SNA	1
1-3-2	3	C005	DE64-02663A	CONTROL-PANEL; GE87M,ABS,BLACK,0.8 MARIMB	SNA	1
1-3-3	3	C206	DE94-02908A	ASSY BUTTON-PUSH; GE712MR/BWT,ABS,STSS,SP	SA	1
1-3-3-1	4	C207	DE64-02624A	INLAY-BUTTON; MARIMBA,STAINLESS-STSS430,T0	SNA	1

No.	Lvl.	Loc.	Material Code	Description & Specification	SNA	Qty.
1-3-3-2	4	C007	DE64-02617B	BUTTON PUSH; ME73MR,ABS,GE BLACK,MARIMBA(SNA	1
1-3-4	3		DE64-02668A	INLAY PANEL; GE87M,STAINLESS-ST5430,T0.3,	SNA	1
1-3-5	3	C009	DE64-02664A	WINDOW-DISPLAY; GE87M,SAN,BLACK,0.8 MARIM	SNA	1
1-4	2	C084	DE96-00989A	ASSY KEY MODULE; GE87M/XEF,DKM-GE87M,MARI	SA	1
1-5	2		DE64-02666A	BUTTON SELECT-A; GE87M,ABS,SILVER,0.8 MAR	SA	1
1-6	2	C035	DE64-02667A	BUTTON-CLOCK; GE87M,ABS,BLACK,0.8 MARIMBA	SNA	1
1-7	2	C058	DE63-00302A	CUSHION-PCB; PUR FOAM,T5.0,W102,L78,BLACK	SNA	1