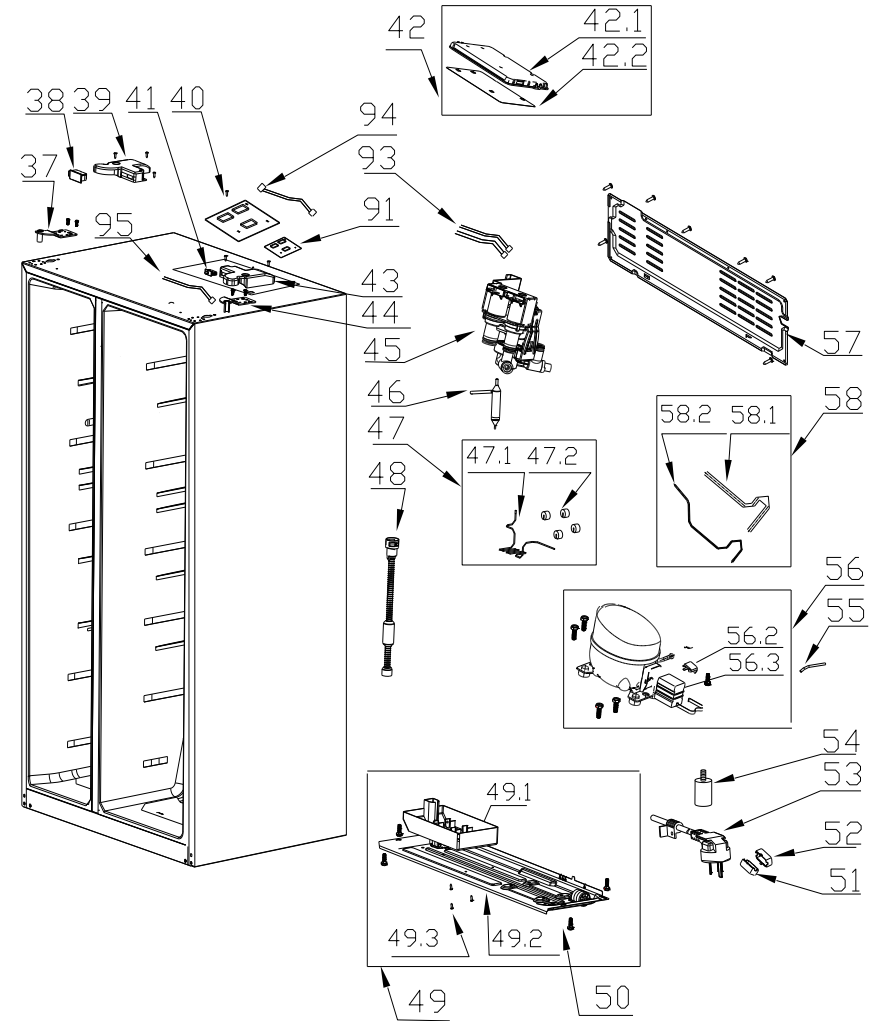
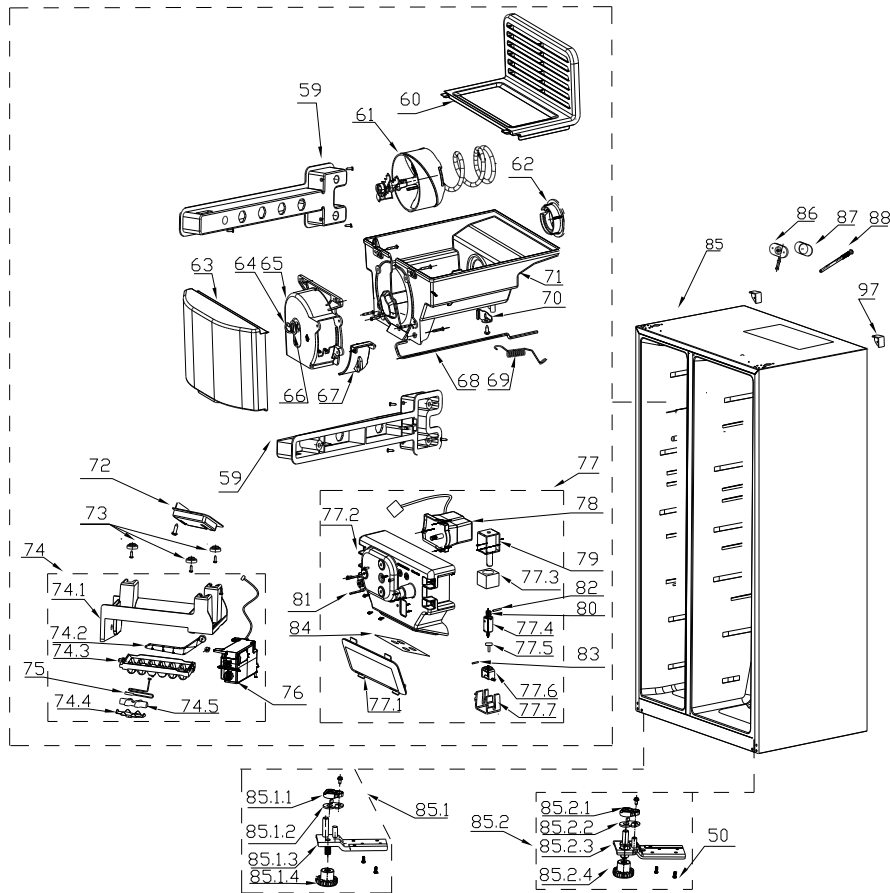
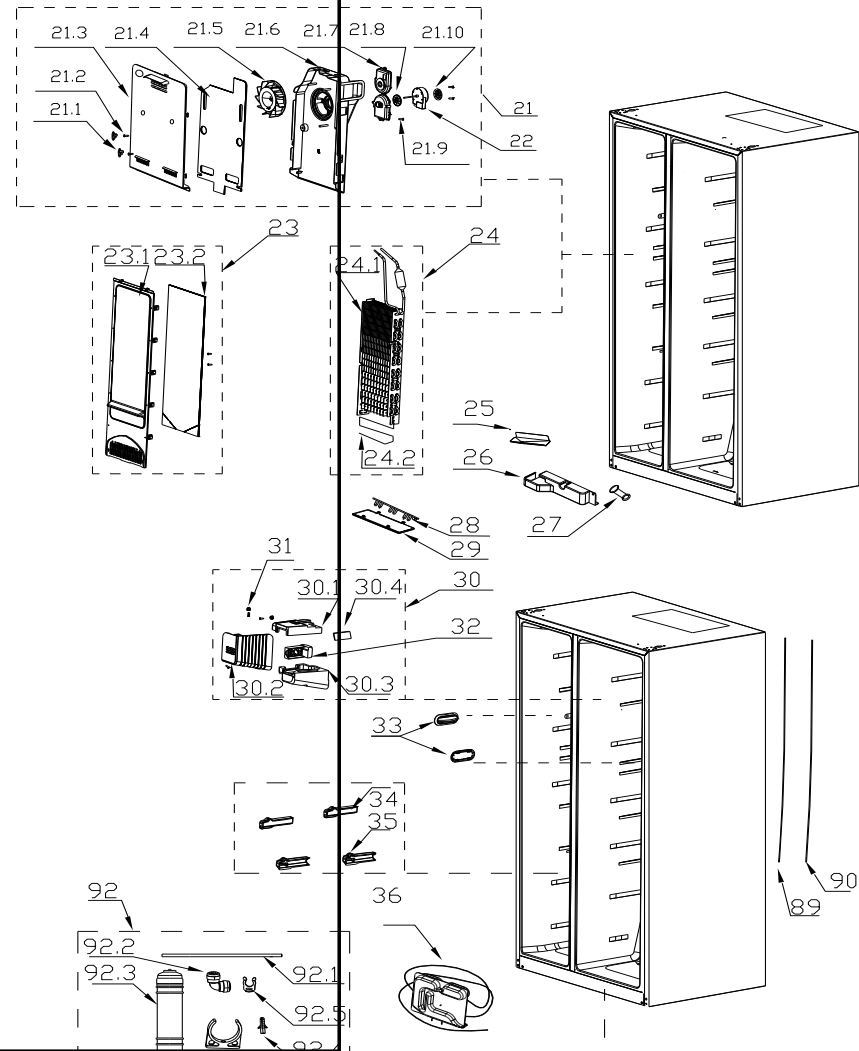
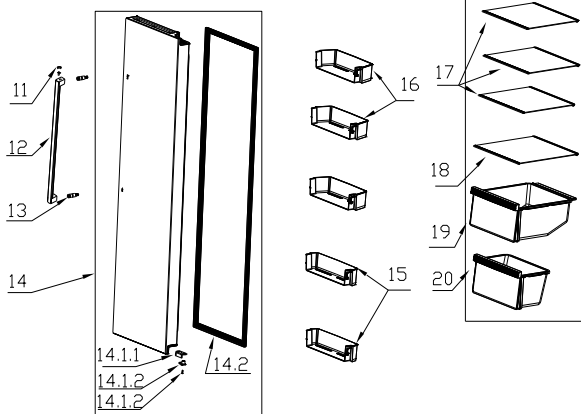
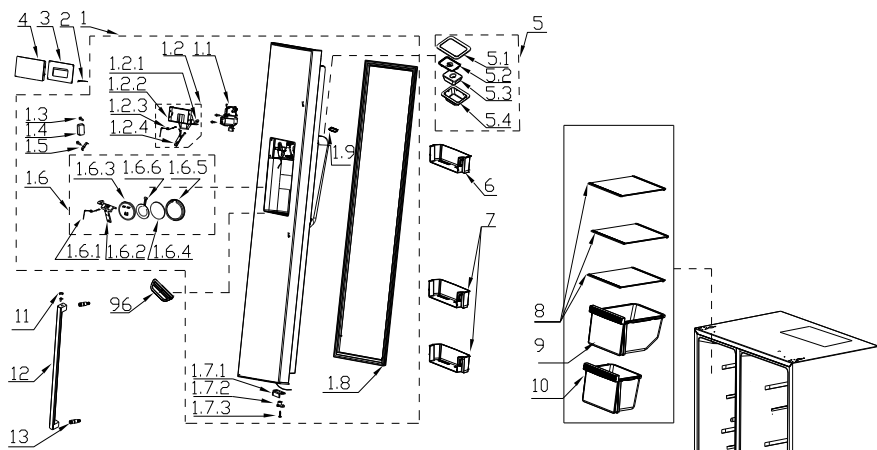


Product Name: 22031050000382

Power Supply: 200_240V_1Ph,FREQUENCY_50HZ





92.6

序号	零部件名称		数量	物料编码
No.	Chinese Name	Part Name	Quantity	BOM Code

1	冷冻室门体总成	Freezer door assembly	1.0	12831000002245
1.1	开门电机	open door motor	1.0	17431000000346
1.2	盖组件	Cover assembly	1.0	12131000029361
1.2.1	垫圈	Gasket	1.0	/
1.2.2	塑料盖	Plastic cover	1.0	/
1.2.3	弹簧	Spring	1.0	/
1.2.4	分配器挡片	Distributor block	1.0	/
1.3	十字槽沉头自攻螺钉	tapping screw	3.0	11303120000160
1.4	柱形开关	Pillar switch	1.0	17431000000375
1.5	固定板	Fixing plate	1.0	12231000006450
1.6	密封板组件	Seal plate assembly	1.0	12131000029501
1.6.1	弹簧	Spring	1.0	12931000000643
1.6.2	阀门摆杆	Valve tocker	1.0	12131000004663
1.6.3	固定块	Fixed blocks	1.0	12131000000820
1.6.4	海绵块	Sponge block	1.0	12431000000256
1.6.5	密封盒盖	Sealed box cover	1.0	12631000000267
1.7	冷冻室端盖组件	End cap assembly of freezer	1.0	/
1.7.1	加强铁	Reinforcement iron bar	1.0	12231000006156
1.7.2	门自锁	Door self-locking	1.0	12131000003250
1.7.3	十字槽扁圆头自攻螺钉	tapping screw	1.0	11303119000195
1.8	冷冻室门封条组件	Door gasket assembly of freezer	1.0	12131000010171
1.9	装饰件	Decoration component	1.0	12131000005627
2	LED灯	LED lamp	1.0	17431000000228

3	显控板	Display control panel	1.0	17131000000097
4	显控面板	Display control panel	1.0	12131000003062
5	密封盒组件	Sealed case assembly	1.0	12131000011278
5.1	密封盒盖	Sealed box cover	1.0	12631000000271
5.2	密封盖	Seal cover	1.0	12131000006076
5.3	密封泡沫	Sealing foam	1.0	16331000001064
5.4	密封盒	Sealed box	1.0	12131000001662
6	冷冻室小瓶框	F small tray	1.0	12131000006004
7	冷冻室小瓶框	F small tray	2.0	12131000005683
8	冷冻室玻璃搁架组件	Freezer glass shelf assembly	3.0	12531000001325
9	冷冻上抽屉组件	F upper drawer assembly	1.0	12131000000256
10	冷冻室下抽屉组件	F bottom drawer assembly	1.0	12131000000261
12	冷藏室门把手	Door handle of fridge compartment	2.0	12931000000521
13	把手螺栓	bolt	4.0	12931000000613
14	冷藏室门体总成	Refrigerator door assembly	1.0	12831000001436
14.1	冷藏室端盖组件	end cap assembly of refrigerator	1.0	/
14.1.1	加强铁	Reinforcement iron bar	1.0	12231000006156
14.1.2	门自锁	Door self-locking	1.0	12131000003250
14.1.3	十字槽扁圆头自攻螺钉	tapping screw	1.0	11303119000195
14.2	冷藏室门封条组件	Door gasket assembly of refrigerator	1.0	12131000010269
15	冷藏室小瓶框	R small tray	2.0	12131000005702
16	冷藏室中瓶框	R middle tray	3.0	12131000005957
17	冷藏室玻璃搁架组件	Glass shelf assembly of refrigerator	3.0	12531000001128

18	冷藏室玻璃搁架组件	Glass shelf assembly of refrigerator	1.0	12531000001094
19	果菜盒组件	Fruits and vegetables box component	1.0	12131000004728
20	果菜盒组件	Fruits and vegetables box component	1.0	12131000004879
21	冷冻室风道组件	Air duct assembly of freezer	1.0	12131000017194
21.1	密封盖	Seal cover	2.0	12131000000539
21.2	十字槽盘头自攻螺钉	tapping screw	2.0	11303125000574
21.3	风道前板	Air duct front plate	1.0	12131000001421
21.4	形状海绵	Shape sponge	1.0	12431000000593
21.5	扇叶	Flabellum	1.0	12131000006650
21.6	风道后板	Back plate of air duct	1.0	12131000001448
21.7	固定卡	Fixing clip	1.0	12131000000837
21.8	减震垫	Damping cushion	1.0	12631000000143
21.9	减震垫	Damping cushion	1.0	12631000000129
21.10	十字槽扁圆头自攻螺钉	tapping screw	3.0	11303119000193
22	无刷直流电机	fan motor	1.0	11002015001688
23	冷冻室风道组件	Air duct assembly of freezer	1.0	12131000000399
23.1	风道前板	Air duct front plate	1.0	12131000001461
23.2	形状海绵	Shape sponge	2.0	12431000000544
24	组件供货翅片蒸发器	Component supplying fin evaporator	1.0	15831000001041
24.1	直排翅片蒸发器	Vertical fin evaporator	1.0	15831000000006
24.2	化霜加热器	Defrost heater	1.0	17431000005003
25	接水盘	Drain tray	1.0	12231000010116
26	盖板	Cover plate	1.0	12131000001228

27	固定卡	Fixing clip	9.0	12131000000793
28	LED灯	LED lamp	1.0	17431000000072
29	灯罩	Lamp cover	1.0	12131000017290
30	冷藏室风道组件	Air duct components of refrigerator	1.0	12131000000329
30.1	风道块	Air duct block	1.0	16331000000907
30.2	风道前板	Air duct front plate	1.0	12131000001542
30.3	冷藏室风道泡沫	Air duct foaming of refrigerator	1.0	16331000000838
30.4	海绵密封圈	Sponge seal ring	1.0	12431000000424
32	电动风门	Electric damper	1.0	17431000000895
33	盒盖	Box cover	2.0	12131000001072
34	限位块	Stopper	4.0	12131000018576
35	限位块	Stopper	4.0	12131000018577
36	水箱	Water tank	1.0	12131000007677
37	上铰链	Upper hinge	1.0	12231000007002
38	磁控开关	Magnetism control switch	1.0	17431000000119
39	铰链罩组件	Hinge cover assembly	1.0	12131000017215
40	主控板	Main control board	1.0	17131000000252
41	柱形开关	Pillar switch	2.0	17431000000396
42	主控板安装盒组件	Main control board mounting box assembly	1.0	12131000018107
42.1	盒盖	Box cover	1.0	12131000015244
42.2	加强铁	Reinforcement iron bar	1.0	12231000007242
43	铰链罩组件	Hinge cover assembly	1.0	12131000010152
44	上铰链组件	Upper hinge assembly	1.0	12231000007140

45	水阀	Water valve	1.0	17431000001483
46	干燥过滤器	Dry filter	1.0	15531000000125
47	组件供货管连接件	Component supplying pipe connector	1.0	15531000000012
47.1	排气连接管	Venting Connection tube	1.0	/
47.2	橡胶块	Rubber block	3.0	/
48	排水管	Drain-pipe	1.0	12131000005870
49	压缩机安装板组件	Compressor mounting panel assembly	1.0	12231000010143
49.1	接水盘	Drain tray	1.0	12131000004261
49.2	压缩机安装板组件	Compressor mounting panel assembly	1.0	/
49.3	十字槽扁圆头自攻螺钉	tapping screw	3.0	11303119000193
50	槽凹穴六角头法兰面自攻锁紧	tapping locking screw	8.0	11303305000045
51	安装盒	Mounting box	2.0	12131000001661
52	安装盒	Mounting box	2.0	12131000001672
53	电源线	Power cord	1.0	17431000001116
54	电源滤波器	Power filter	1.0	17431000000246
55	工艺管	Processing tubes	1.0	15533000000081
56	变频往复压缩机	DC Inverter Reciprocating Compressor	1.0	11101020000522
57	压缩机后盖	Compressor back cover	1.0	12231000005669
58	组件供货管连接件	Component supplying pipe connector	1.0	15531000000019
58.1	吸气连接管	Suction connection tube	1.0	/
58.2	保温管	Insulating tube	1.0	/
59	导轨	Guide	2.0	12131000003792
60	盒盖	Box cover	1.0	12131000001127

61	螺杆组件	Screw assembly	1.0	12931000002481
62	齿轮	Gear	1.0	12131000004651
63	盒盖	Box cover	1.0	12131000001160
64	固定板	Fixing plate	1.0	12231000006428
65	塑料盖	Plastic cover	1.0	12131000001210
66	垫片	Spacer	1.0	12231000006512
67	选冰门	Selected ice door	1.0	12131000006743
68	选冰杆	Selected ice rod	1.0	12931000000568
69	弹簧	Spring	1.0	12931000000642
70	固定板	Fixing plate	1.0	12231000006534
71	储冰盒	Ice storage box	1.0	12131000000175
72	安装盒	Mounting box	1.0	12131000017773
73	挂钩	Hook	3.0	12131000000810
74	冰盒组件	Parts of Ice cube box	1.0	12131000000312
74.1	支撑	Support	1.0	12131000006451
74.2	探冰杆	Ice-probing rod	1.0	12131000004666
74.3	制冰盒	Ice box	1.0	12131000000178
74.4	塑料盖	Plastic cover	1.0	12131000001161
74.5	保温泡沫	Thermal insulation foam	1.0	16331000001082
75	温度传感器	temperature sensor	1.0	11201007000779
76	制冰离冰电机	motor im	1.0	17431000000342
77	碎冰组件	Crushed ice assembly	1.0	12131000017245
77.1	灯罩	Lamp cover	1.0	12131000005461

77.2	盒盖	Box cover	1.0	12131000001128
77.3	海绵块	Sponge block	1.0	12431000000284
77.4	挂钩	Hook	1.0	12131000000733
77.5	挂钩	Hook	1.0	12131000000732
77.6	挂钩	Hook	1.0	12131000000815
77.7	导向座	Guide seat	1.0	12131000004539
78	出冰电机	ice output motor	1.0	17431000000344
79	电磁铁	Electromagent	1.0	17431000000905
80	弹簧	Spring	1.0	12931000000645
81	驱动杆	Drive lever	1.0	12931000000566
82	销轴	Pin	1.0	12931000000601
83	销轴	Pin	1.0	12931000000597
84	LED灯	LED lamp	1.0	17431000000146
85	箱体总成	Cabinet assembly	1.0	/
85.1	下铰链组件	Lower hinge assembly	1.0	12231000010013
85.1.1	门自锁	Door self-locking	1.0	12131000015734
85.1.2	门自锁挡块	Door self-locking block	1.0	12231000009980
85.1.3	下铰链	Lower hinge	1.0	/
85.1.4	调节脚	Levelling feet	1.0	/
85.2	下铰链调节脚组件	Lower hinge adjust feet assembly	1.0	12231000010021
85.2.1	门自锁	Door self-locking	1.0	12131000015733
85.2.2	门自锁挡块	Door self-locking block	1.0	12231000009980
85.2.3	下铰链	Lower hinge	1.0	/

85.2.4	调节脚	Levelling feet	1.0	/
86	水管接头	ater pipe connector	1.0	12631000000255
87	金属盖片	Metal cover plate	1.0	12231000006644
88	补偿加热器	Compensation heater\	1.0	17431000001507
89	排水管	Drain-pipe	1.0	12131000005860
90	排水管	Drain-pipe	1.0	12131000005969
91	变频驱动板	Variable frequency driver board	1.0	17131000002002
92	过滤器组件	Filter assembly	1.0	12131000030121
92.1	PE管	PP	1.0	12163200000388
92.2	塑料小件	Plastic part	2.0	12163200000462
92.3	滤芯	filter	1.0	15663200001784
92.4	塑料小件	Plastic part	2.0	12163200000577
92.5	塑料小件	Plastic part	2.0	12163200000492
92.6	固定块	Fixed blocks	2.0	12163200000375
93	线束	Wires	1.0	17431000001326
94	线束	Wires	1.0	17431000001017
95	湿度传感器	humidity sensor	1.0	11201004000089
96	接水盘	Drain tray	1.0	12131000004383
97	角护盖	Corner protecting cover	2.0	12131000000926