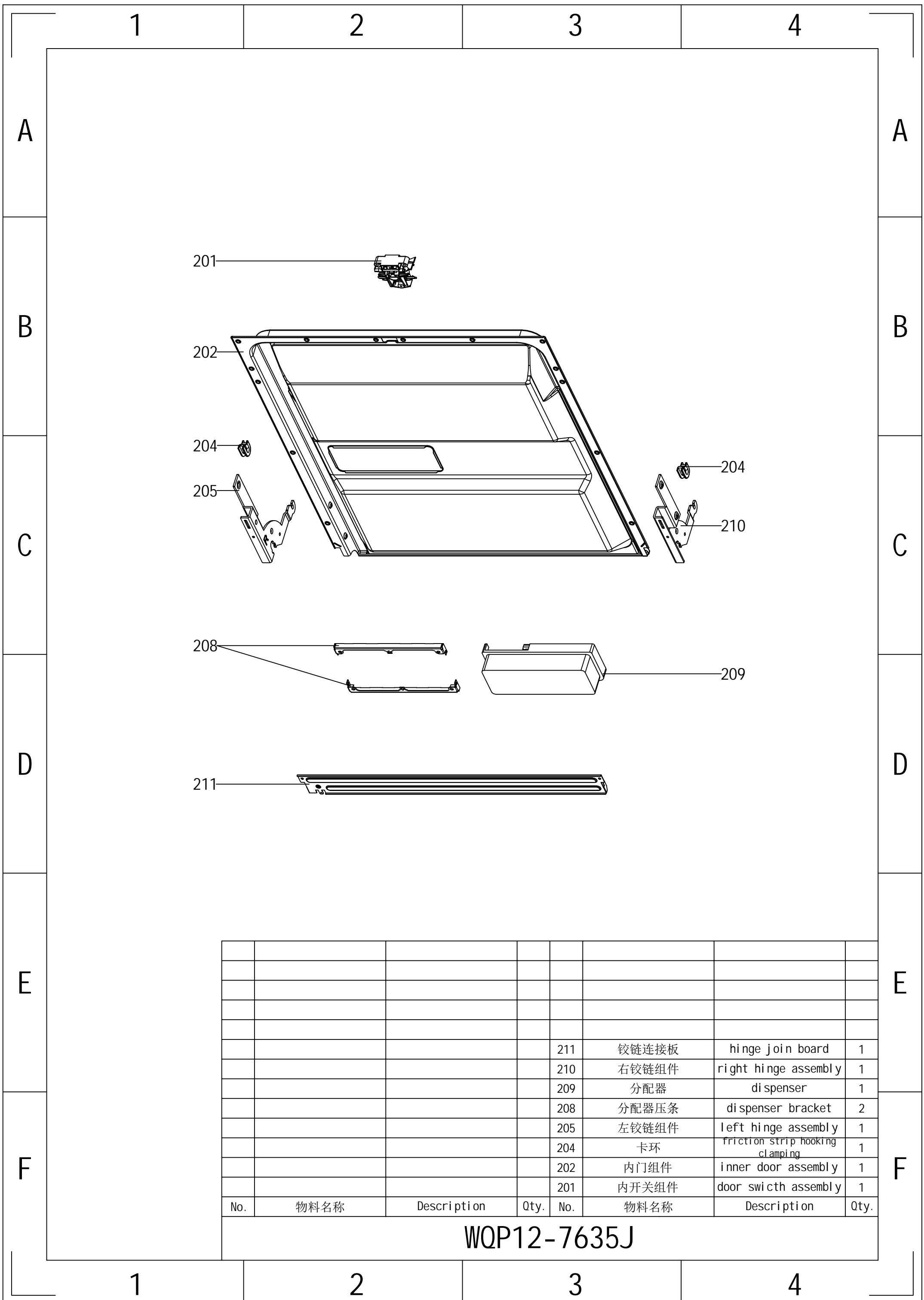


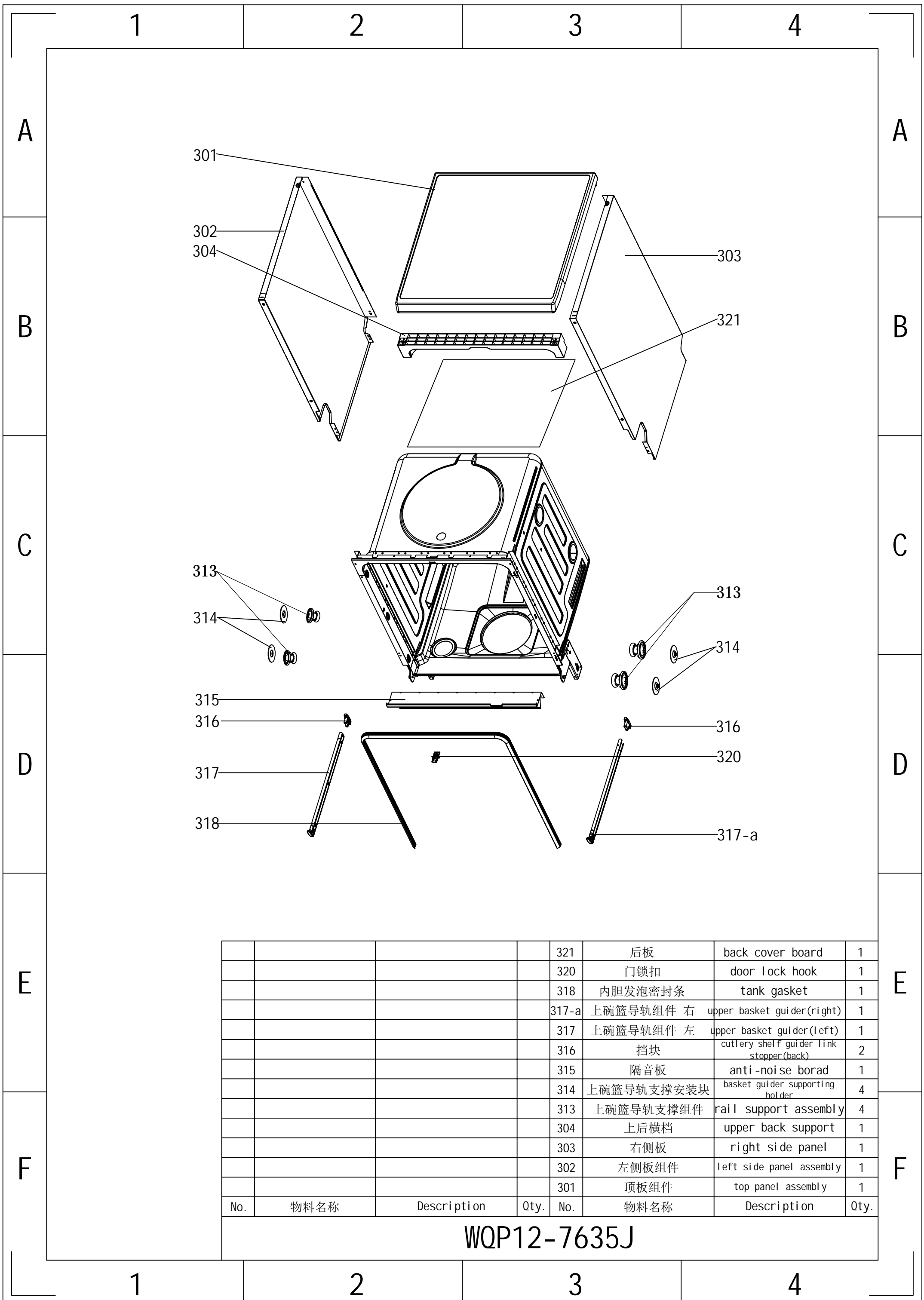
				111	踢脚板	baseboard	1
				110	外门	out door	1
				109	控制面板贴面	control panel film	1
				108	控制面板	control panel	1
				107	显示窗	screen cover	1
				106	灯罩	lamp cover	4
				105	按键	button	4
				104	按键	button	2
				103	显示窗密封垫	display pcb seal	1
				102	把手盖	doorknob cover	1
				101	显示板	Dashboard	1
No.	物料名称	Description	Qty.	No.	物料名称	Description	Qty.

WQP12-7635J



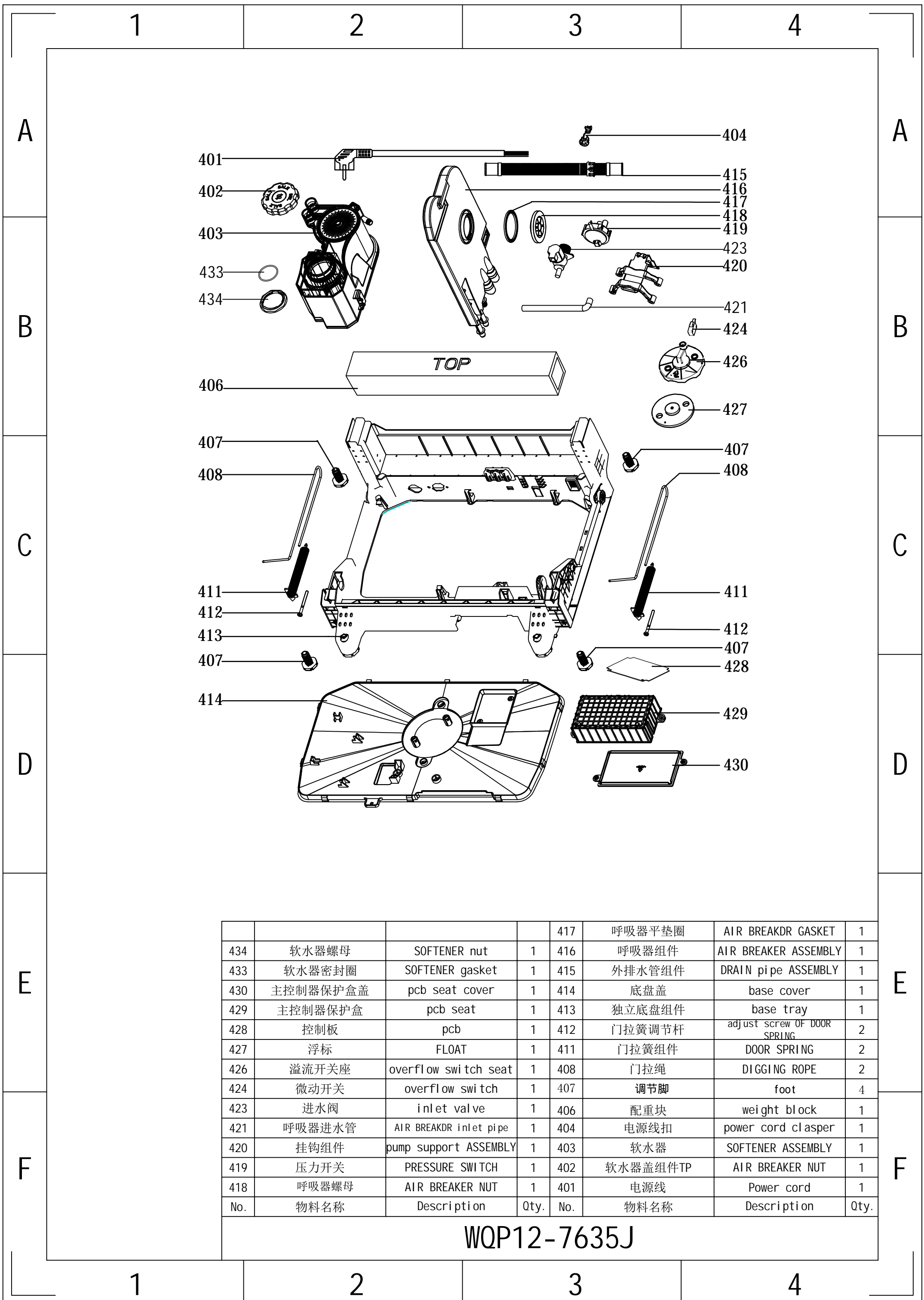
				211	铰链连接板	hinge join board	1
				210	右铰链组件	right hinge assembly	1
				209	分配器	di spenser	1
				208	分配器压条	di spenser bracket	2
				205	左铰链组件	left hinge assembly	1
				204	卡环	friction strip hooking clamping	1
				202	内门组件	inner door assembly	1
				201	内开关组件	door swicth assembly	1
No.	物料名称	Description	Qty.	No.	物料名称	Description	Qty.

WQP12-7635J



				321	后板	back cover board	1
				320	门锁扣	door lock hook	1
				318	内胆发泡密封条	tank gasket	1
				317-a	上碗篮导轨组件 右	upper basket guider(right)	1
				317	上碗篮导轨组件 左	upper basket guider(left)	1
				316	挡块	cutlery shelf guider link stopper(back)	2
				315	隔音板	anti-noise borad	1
				314	上碗篮导轨支撑安装块	basket guider supporting holder	4
				313	上碗篮导轨支撑组件	rail support assembly	4
				304	上后横档	upper back support	1
				303	右侧板	right side panel	1
				302	左侧板组件	left side panel assembly	1
				301	顶板组件	top panel assembly	1
No.	物料名称	Description	Qty.	No.	物料名称	Description	Qty.

WQP12-7635J



				417	呼吸器平垫圈	AIR BREAKDR GASKET	1
434	软水器螺母	SOFTENER nut	1	416	呼吸器组件	AIR BREAKER ASSEMBLY	1
433	软水器密封圈	SOFTENER gasket	1	415	外排水管组件	DRAIN pi pe ASSEMBLY	1
430	主控制器保护盒盖	pcb seat cover	1	414	底盘盖	base cover	1
429	主控制器保护盒	pcb seat	1	413	独立底盘组件	base tray	1
428	控制板	pcb	1	412	门拉簧调节杆	adjust screw OF DOOR SPRING	2
427	浮标	FLOAT	1	411	门拉簧组件	DOOR SPRING	2
426	溢流开关座	overflow switch seat	1	408	门拉绳	DIGGING ROPE	2
424	微动开关	overflow switch	1	407	调节脚	foot	4
423	进水阀	inlet valve	1	406	配重块	weight block	1
421	呼吸器进水管	AIR BREAKDR inlet pi pe	1	404	电源线扣	power cord clasper	1
420	挂钩组件	pump support ASSEMBLY	1	403	软水器	SOFTENER ASSEMBLY	1
419	压力开关	PRESSURE SWITCH	1	402	软水器盖组件TP	AIR BREAKER NUT	1
418	呼吸器螺母	AIR BREAKER NUT	1	401	电源线	Power cord	1
No.	物料名称	Description	Qty.	No.	物料名称	Description	Qty.

WQP12-7635J

1

2

3

4

A

A

B

B

C

C

D

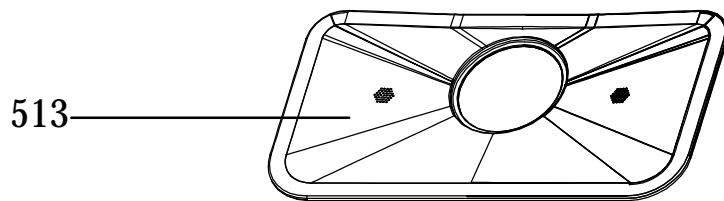
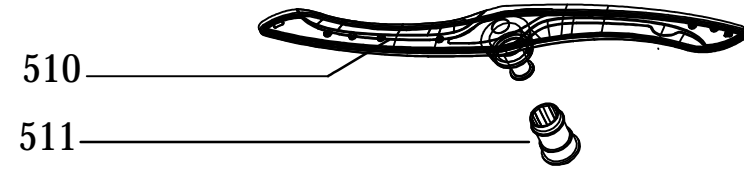
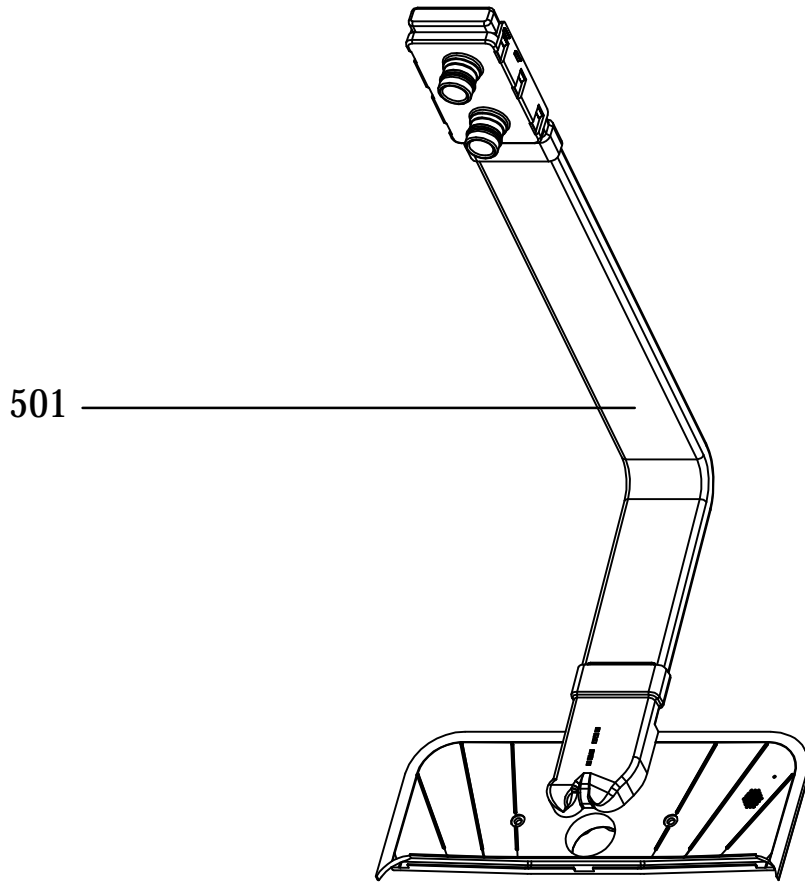
D

E

E

F

F



				513	平面过滤器	plane filter	1
				511	下喷臂座	sprayer seat	1
				510	下喷臂	lower sprayer	1
				501	内水管组件	inner pipe	1
No.	物料名称	Description	Qty.	No.	物料名称	Description	Qty.

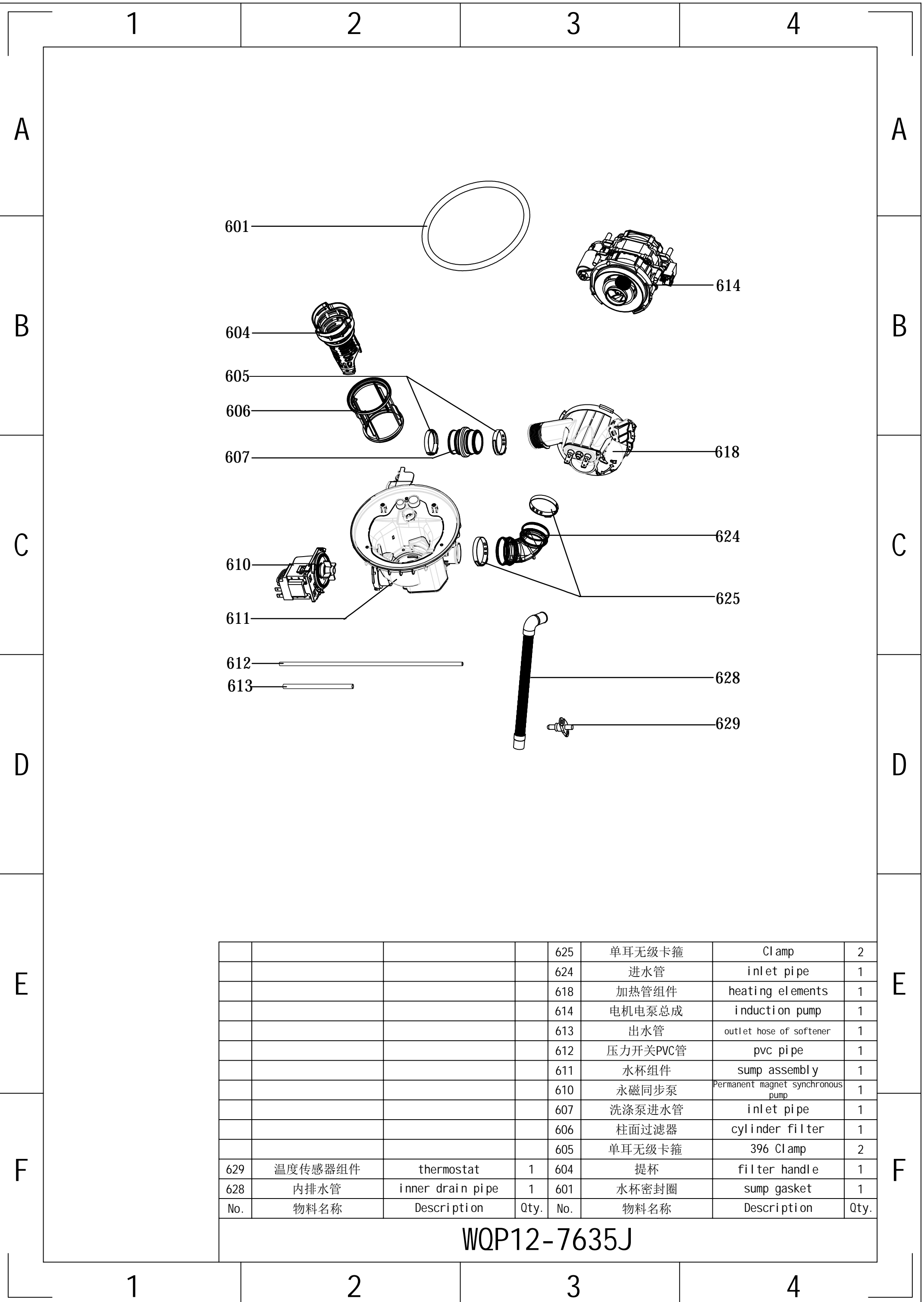
WQP12-7635J

1

2

3

4



				625	单耳无级卡箍	Clamp	2
				624	进水管	inlet pipe	1
				618	加热管组件	heating elements	1
				614	电机电泵总成	induction pump	1
				613	出水管	outlet hose of softener	1
				612	压力开关PVC管	pvc pipe	1
				611	水杯组件	sump assembly	1
				610	永磁同步泵	Permanent magnet synchronous pump	1
				607	洗涤泵进水管	inlet pipe	1
				606	柱面过滤器	cylinder filter	1
				605	单耳无级卡箍	396 Clamp	2
629	温度传感器组件	thermostat	1	604	提杯	filter handle	1
628	内排水管	inner drain pipe	1	601	水杯密封圈	sump gasket	1
No.	物料名称	Description	Qty.	No.	物料名称	Description	Qty.

WQP12-7635J

1

2

3

4

A

A

B

B

C

C

D

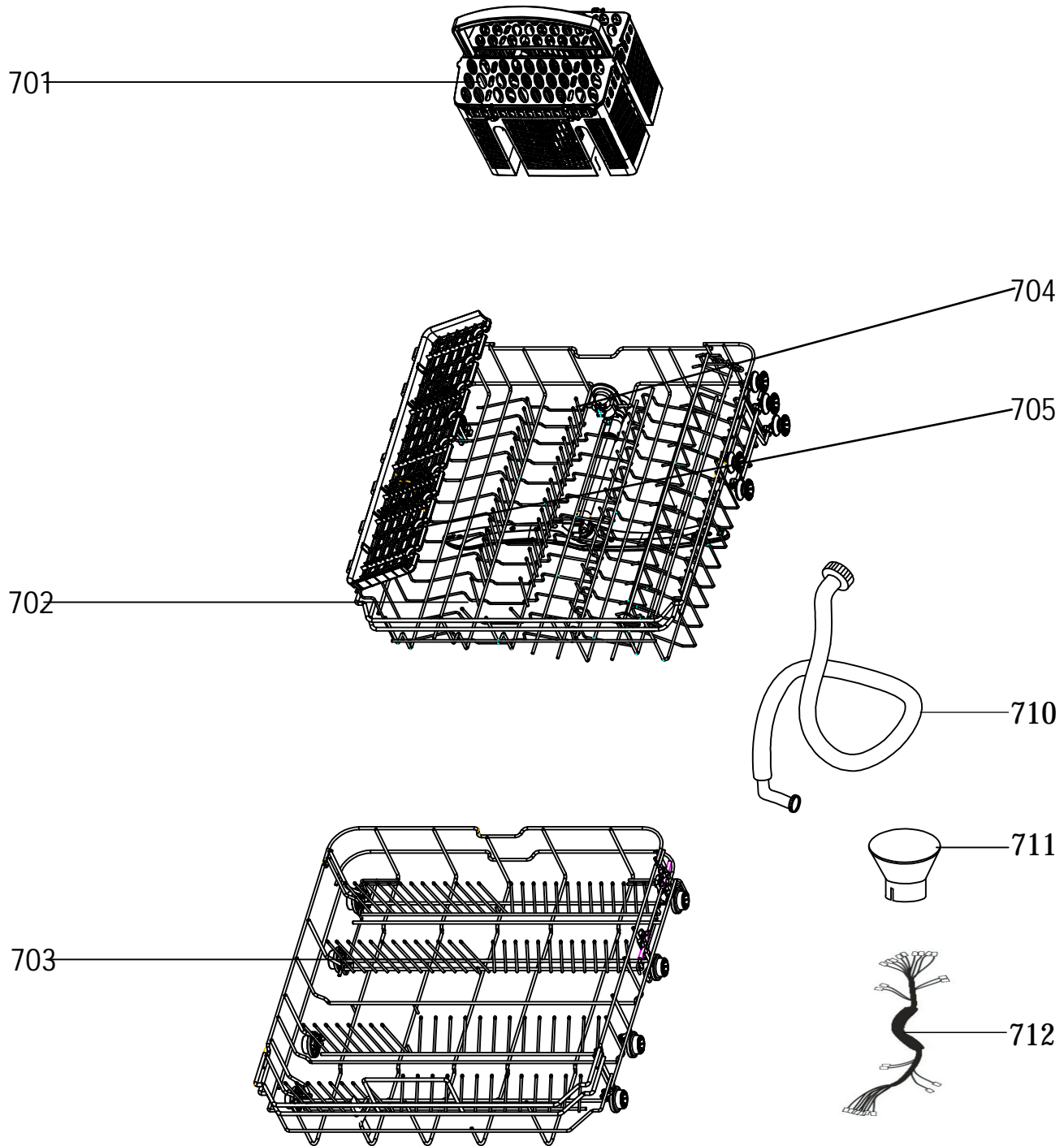
D

E

E

F

F



				712	线束	wiring harness	1
				711	盐斗	salt filler	1
				710	进水管组件	inlet hose assembly	1
				705	杯托	Knife and fork rack	1
				704	中喷臂组件	MIDDLE SPAYER ASSEMBLY	1
				703	下碗篮组件	lower basket assembly	1
				702	上碗篮组件	Upper basket	1
				701	刀叉篮组件	cutlery basket	1
No.	物料名称	Description	Qty.	No.	物料名称	Description	Qty.

WQP12-7635J

1

2

3

4

<b>NO.</b>	<b>Part No.</b>	<b>Description</b>	<b>Qty.</b>
101	17176000018976	Dashboard	1
102	12176000002240	doorknob cover	1
103	12676000002721	display pcb seal	1
104	12176000018886	button	2
105	12176000016886	button	4
106	12176000020783	Light cover	4
107	12176000020624	Screen cover	1
108	12176000020867	control panel	1
109	12176000A25187	control panel cover sticker	1
110	12276000006660	out door	1
111	12176000004079	baseboard	1
201	17476000000052	door swith assembly	1
202	12276000005319	inner door assembly	1
204	12176000003629	friction strip hooking clamping	2
205	12276000001731	left hinge assembly	1
208	12276000001459	dispenser bracket	2
209	17476000001420	dispenser	1
210	12276000001778	right hinge assembly	1
211	12276000001852	hinge join board	1
301	12176000018923	TOPPANEL	1
302	12276000000972	left side panel assembly	1
303	12276000001246	right side panel	1
304	12176000003869	upper back support	1
313	12176000010412	rail support assembly	4
314	12176000008573	basket guider supporting holder	4
315	12276000001818	anti-noise borad	1
316	12176000008496	upper basket guider link stopper	2
317	12276000001357	upper basket guider(left)	1
317-a	12276000001360	upper basket guider(right)	1
318	12676000000859	tank gasket	1
320	12176000009491	door lock hook	1
321	12176000010248	back cover board	1
401	17476000005309	powercord	1
402	12176000010640	softener cover	1
403	17476000005645	Softener	1
404	12176000009490	power cord clasper	1
406	12776000000023	Counterweight	1
407	12176000009741	foot	4
408	12976000000392	door rope	2
411	12976000000133	door spring assembly	2
412	12976000001001	adjust screw of door spring	2
413	12176000019563	tray assembly	1
414	12176000015483	base cover	1
415	12676000000138	drain hose assembly	1
416	17476000005724	Airbreather	1
417	12676000000713	seal	1
418	12176000013663	air breaker nut	1
419	17476000001222	pressure switch	1
420	12276000008925	motor holder assembly	1



421	12676000000140	inlet hose of air breather	1
423	174760000001144	inlet valve	1
424	174760000001137	overflow switch	1
426	121760000003125	overflow switch seat	1
427	128760000000050	sleeve cover	1
428	171760000018974	PCB	1
429	121760000003751	pcb seat	1
430	121760000003853	PCB Box	1
433	126760000001801	seals	1
434	121760000009513	softener nut	1
501	121760000009430	inner pipe	1
510	121760000009161	lower sprayer	1
511	121760000008645	sprayer seat	1
513	121760000003689	plane filter	1
601	126760000001461	seals	1
604	121760000009640	filter handle	1
605	129760000000327	396 clamp	2
606	121760000003676	cylinder filter	1
607	126760000000146	inlet pipe	1
610	11001011000449	Permanent magnet synchronous pump	1
611	121760000016228	Sumpassembly	1
612	126760000000651	pvc pipe	1
613	126760000001521	Outletpipe	1
614	174760000001561	induction pump	1
618	174760000001408	heating elements	1
624	126760000000100	inlet pipe	1
625	129760000000308	clamp	2
628	126760000000947	inner drain pipe	1
629	171760000012008	thermostat	1
701	121760000002705	cutlery basket	1
702	129760000000724	basket assembly	1
703	129760000003132	lower basket assembly	1
704	121760000009173	middle spayer assembly	1
705	121760000002821	flatware caddy	1
710	126760000000561	inlet hose assembly	1
711	121760000010312	salt filler	1
712	174760000005576	Wireharness	1