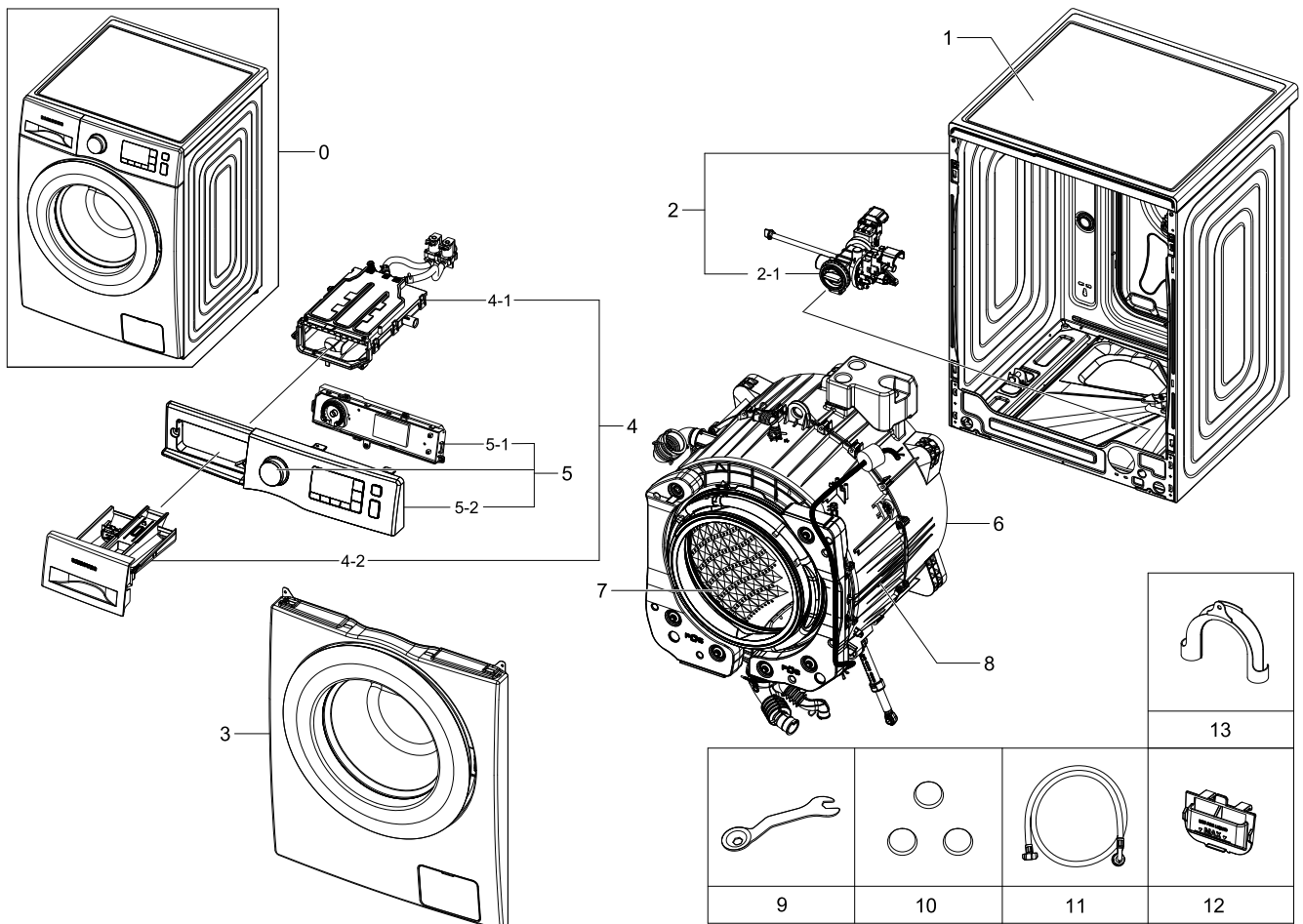


1. WF70F5E5W4W/EC

Exploded View



Parts List

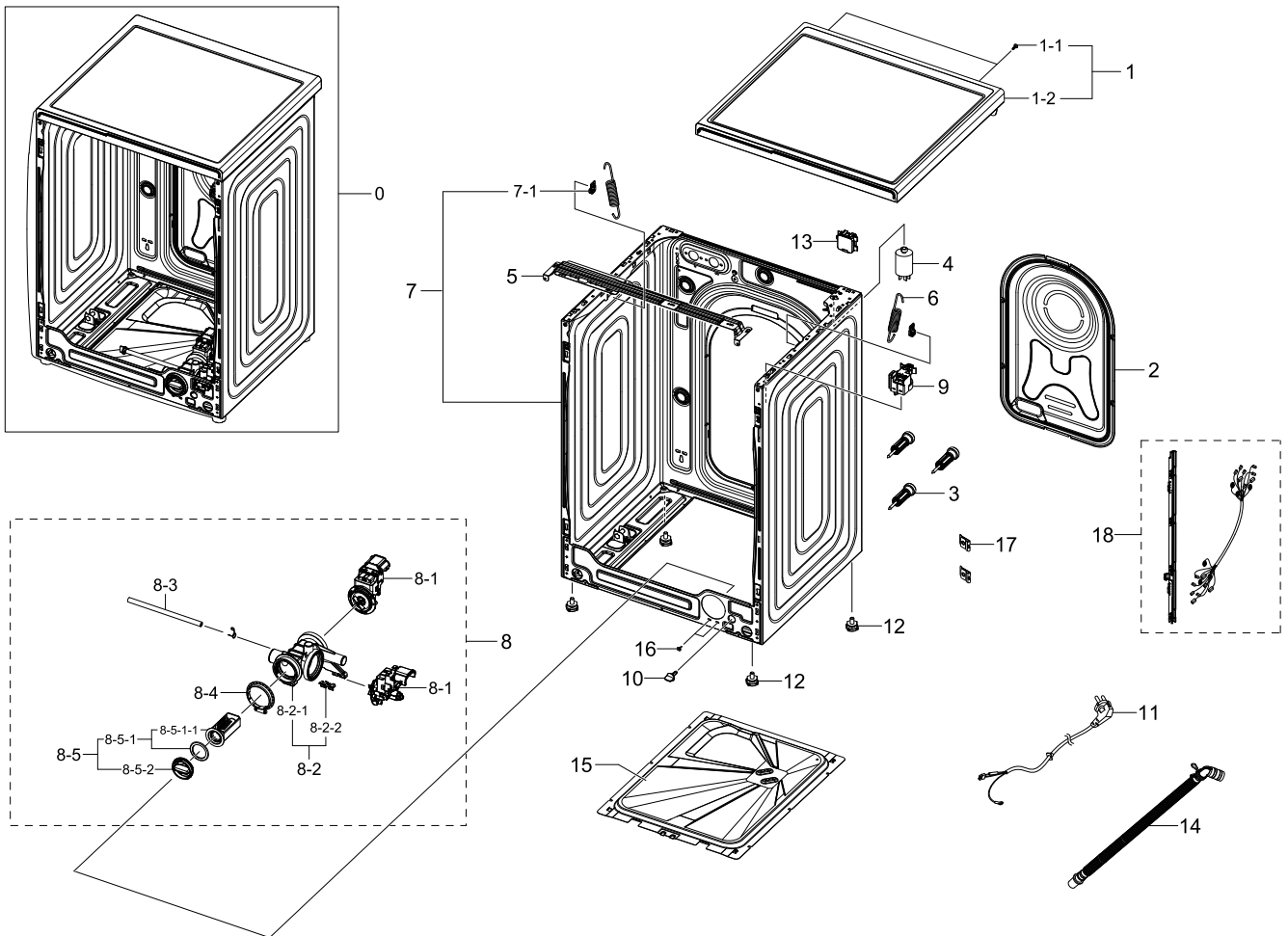
| No. | Lvl. | Loc. | Material Code | Description & Specification | SNA | Qty. |
|-----|------|-------|---------------|--|-----|------|
| 1 | 1 | W0183 | DC90-22242A | ASSY COVER TOP; F500E,J3 8kg | SNA | 1 |
| 2 | 1 | W0506 | DC90-22686A | ASSY FRAME; F500E,WF70F5E1W4W/ET | SNA | 1 |
| 2-1 | 2 | W0194 | DC97-17336C | ASSY PUMP DRAIN; WW6500K,WW80K6414QW,AL-P | SA | 1 |
| 3 | 1 | | DC90-12368A | ASSY FRONT; F500E,WF80F5E5U4W/EF | SNA | 1 |
| 4 | 1 | W0216 | DC90-12798A | ASSY DRAWER; F500,UNI,WHT,COLD | SNA | 1 |
| 4-1 | 2 | W0163 | DC97-17311A | ASSY HOUSING DRAWER; F500E,WF80F50FU4W,PP | SA | 1 |
| 4-2 | 2 | W0216 | DC97-17310B | ASSY DRAWER; F500E,WF80F50FU4W | SA | 1 |
| 5 | 1 | W0478 | DC90-12735D | ASSY PANEL CONTROL; F500,WF70F5E5W4W/EC | SNA | 1 |
| 5-1 | 2 | | DC94-06279A | ASSY PCB EEPROM; 0220,FWM_UNI, F500E,7KG, | SA | 1 |
| 5-2 | 2 | W0478 | DC97-17316G | ASSY PANEL CONTROL; WF70F5E5U4W/EC,Spanis | SNA | 1 |

Exploded Views and Parts List

| No. | Lvl. | Loc. | Material Code | Description & Specification | SNA | Qty. |
|-----|------|--------|---------------|--|-----|------|
| 6 | 1 | W0501 | DC90-12811A | ASSY TUB BACK; F500,CERAMIC | SNA | 1 |
| 7 | 1 | W0165 | DC90-12363A | ASSY DRUM; F500E,WF80F5E5U4W/EF | SNA | 1 |
| 8 | 1 | G0048 | DC90-12369A | ASSY TUB FRONT; F500E,WF80F5E5U4W/EF | SNA | 1 |
| 9 | 2 | WJ5077 | DC60-40146A | BOLT SPANER; CR-SPCC,T2.5 | SA | 1 |
| 10 | 2 | W0614 | DC67-00307A | CAP-FIXER; WF438AAC/XAA,PP,T1.5,RECYCLE,B | SC | 3 |
| 11 | 2 | W0757 | DC97-17845A | ASSY HOSE WATER; COLD,ALL MODEL | SA | 1 |
| 12 | 2 | | DC61-03510A | GUIDE LIQUID; WF-F500E,PP,MT43,Honesty Bl | SA | 1 |
| 13 | 2 | W0626 | DC67-00357A | HOSE-HANGER; SEM,PP,ID24.13,-,T2.0,-,GRY, | SNA | 1 |

2. Assy Frame&Cover Parts

Exploded View



Parts List

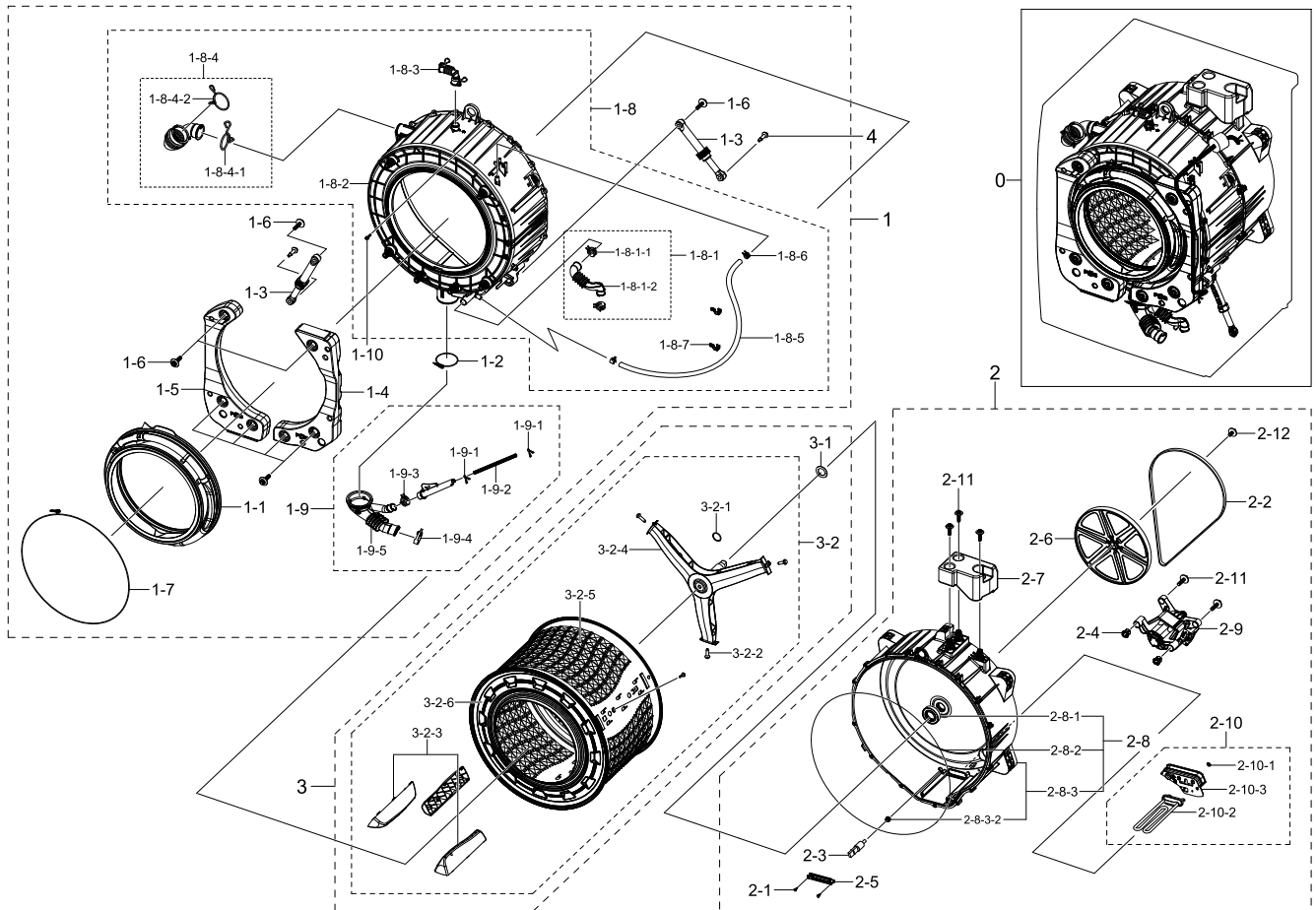
| No. | Lvl. | Loc. | Material Code | Description & Specification | SNA | Qty. |
|-----|------|-------|---------------|--|-----|------|
| 1 | 1 | W0183 | DC90-22242A | ASSY COVER TOP; F500E,J3 8kg | SNA | 1 |
| 1-1 | 2 | G0412 | 6002-000613 | SCREW-TAPPING; TH,+,-,2,M5,L16,ZPC(WHT),S | SNA | 2 |
| 1-2 | 2 | W0183 | DC97-18770G | ASSY COVER TOP; WW6000J,DA WHITE,WT0035 | SA | 1 |
| 2 | 2 | | DC63-01034D | COVER BACK; W6000J,GI-SGCC,T0.35 | SA | 1 |
| 3 | 2 | W0603 | DC97-14653C | ASSY FIXER TUB; SCOUT,WF0804Y8E/XEF | SA | 3 |
| 4 | 2 | W0620 | DC29-00005A | FILTER EMI; VDE,1.2mH MIN/1/-,38*81*PI38, | SC | 1 |
| 5 | 2 | W0248 | DC61-03467A | FRAME PLATE-UP; WF-F500E,GI-SGCC,-,-,T1.0 | SA | 1 |
| 6 | 2 | W0630 | DC61-02146B | SPRING ETC-HANGER; F500E PJT,HSWR,CD3.5,O | SA | 2 |
| 7 | 2 | W0506 | DC97-17325E | ASSY FRAME; F500E,DA WHITE,COLD,UNI | SA | 1 |

Exploded Views and Parts List

| No. | Lvl. | Loc. | Material Code | Description & Specification | SNA | Qty. |
|---------|------|--------|---------------|--|-----|------|
| 7-1 | 3 | WI0266 | DC61-02065A | GUIDE SPRING; WF448AAG/XXA,POM,T4,W24,L36 | SA | 2 |
| 8 | 2 | W0194 | DC97-17336C | ASSY PUMP DRAIN; WW6500K,WW80K6414QW,AL-P | SA | 1 |
| 8-1 | 3 | | DC31-00181A | MOTOR AC PUMP; B15-6A/S3019/S3032/PX2025- | SA | 2 |
| 8-2 | 3 | W0514 | DC97-19376A | ASSY CASE FILTER; F500E,WF80F5E5U4W/EF,BU | SA | 1 |
| 8-2-1 | 4 | W0479 | DC61-02271B | CASE PUMP; WF0804Y8E/XEF,PP,T2.5,W153.6,L | SA | 1 |
| 8-2-2 | 4 | WO0031 | DC63-00905A | CUSHION PUMP; WF8802DPF/XET,NBR,-,W37.6,L | SA | 1 |
| 8-3 | 3 | U2015 | DC67-00244C | HOSE DRAIN; WF0804Y8E,EPDM,ID6,OD11,T2.5, | SA | 1 |
| 8-4 | 3 | | DC69-01128A | PACKING-PUMP; WF8804DP,IIR,BUTYL,T2.5,HEB | SA | 1 |
| 8-5 | 3 | G0050 | DC97-15695A | ASSY FILTER; GRIFFIN-PJT,WF9804RWE,PP+EPD | SA | 1 |
| 8-5-1 | 4 | | DC97-19203A | ASSY SEMI FILTER; F500/400, WW6000/3000,B | SNA | 1 |
| 8-5-1-1 | 5 | W0633 | DC63-00998A | FILTER PUMP; SCOUT-PJT,PP,-,NEAT WHITE,BU | SA | 1 |
| 8-5-2 | 4 | WI0357 | DC64-01317A | HANDLE FILTER; PP,FC2210,NTR/BLACK | SA | 1 |
| 9 | 2 | H2050 | DC96-01703G | SENSOR PRESSURE; Air,5,-,400mmH20,- | SA | 1 |
| 10 | 2 | WI0107 | DC61-10673A | CAP DRAIN; -,PP,-,-,-,-,CNTK-P-101,-,-, | SA | 1 |
| 11 | 2 | W0467 | DC96-00146H | CBF-POWER CORD; AT,EUROPE,EU3F,Gray,1500, | SA | 1 |
| 12 | 2 | W0606 | DC97-00920U | ASSY LEG; F500E,WF80F5E5U4W/EF,H33.5,P1.5 | SA | 4 |
| 13 | 2 | | DC63-01964A | COVER CONNECTOR; PP,T2.5,HB,NATURAL,HASS | SA | 1 |
| 14 | 2 | W0604 | DC97-16240B | ASSY HOSE DRAIN(O); F500E,WF80F5E5,ASSY,L | SA | 1 |
| 15 | 2 | W0462 | DC61-03478A | COVER-BOTTOM; WF-F500E,GI-SGCC,T0.4 | SA | 1 |
| 16 | 2 | M0030 | DC97-14006A | ASSY SCREW; WF203,M4/L16 | SA | 2 |
| 17 | 2 | | DD61-00140A | BRACKET-TAPPING; SDW-T120B,SK5,T0.6,BLK,C | SNA | 2 |
| 18 | 2 | W0080 | DC93-00353C | ASSY M.GUIDE WIRE HARNESS; DRUM | SA | 1 |

3. Assy Tub&Drum

Exploded View



Parts List

| No. | Lvl. | Loc. | Material Code | Description & Specification | SNA | Qty. |
|-----|------|-------|---------------|--|-----|------|
| 1 | 1 | G0048 | DC90-12369A | ASSY TUB FRONT; F500E,WF80F5E5U4W/EF | SNA | 1 |
| 1-1 | 2 | W0234 | DC64-02888A | DOOR DIAPHRAGM; WF80F5E5U4W,TPE,T2.4,H80. | SA | 1 |
| 1-2 | 2 | W0744 | DC65-00021A | CLAMPER HOSE-JOINT; HEBA PJT,HSWR-SWRH,ID | SA | 1 |
| 1-3 | 2 | W0618 | DC66-00531C | DAMPER SHOCK; HEBA,PP,WHITE,80 20N,LONG | SA | 2 |
| 1-4 | 2 | W0232 | DC67-00681A | WEIGHT BALANCER-RIGHT; F500,CONCRETE,NATU | SA | 1 |
| 1-5 | 2 | W0233 | DC67-00682A | WEIGHT BALANCER-LEFT; F500,CONCRETE,NATUR | SA | 1 |
| 1-6 | 2 | W0601 | DC97-14263A | ASSY BOLT; MOTOR/BOLT(M8)+WASHER(OD27.5), | SA | 8 |
| 1-7 | 2 | M0038 | DC97-14618A | ASSY CLAMP DIAPHRAGM; WF8804DP,OD2.0/L124 | SA | 1 |

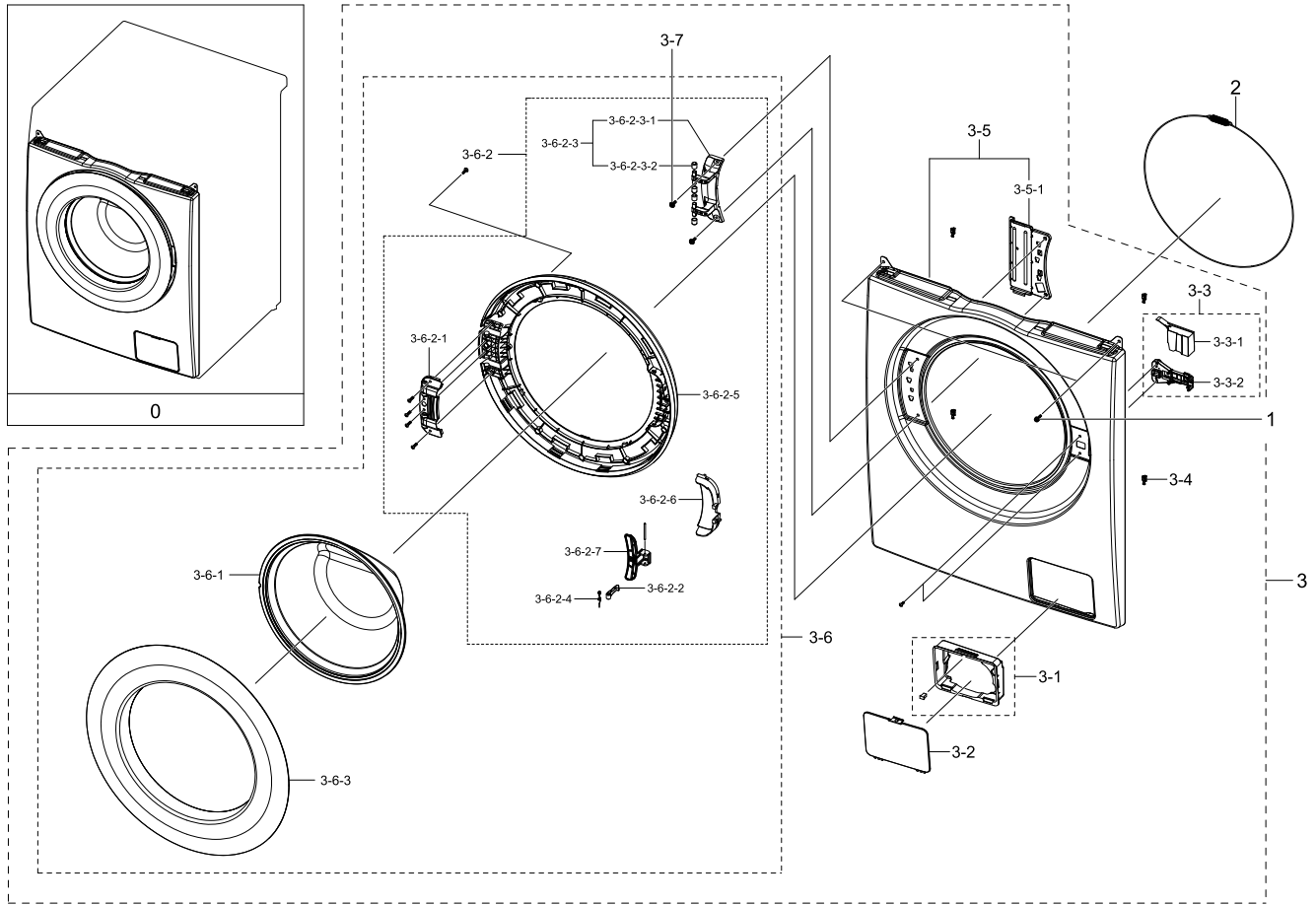
Exploded Views and Parts List

| No. | Lvl. | Loc. | Material Code | Description & Specification | SNA | Qty. |
|---------|------|--------|---------------|--|-----|------|
| 1-8 | 2 | W0636 | DC97-17327A | ASSY SEMI TUB FRONT; F500E,WF80F5E5U4W/EF | SNA | 1 |
| 1-8-1 | 3 | | DC97-17339A | ASSY HOSE AIR-TUB; F500E,WF80F5E5U4W/EF,B | SA | 1 |
| 1-8-1-1 | 4 | W0615 | DC61-00158A | CLAMPER HOSE; SW65ASP,SK5,ID23,T0.8,- | SA | 2 |
| 1-8-1-2 | 4 | G0053 | DC67-00671A | HOSE AIR TUB; F500,EPDM,19.3,29,T2.5,50,B | SA | 1 |
| 1-8-2 | 3 | W0632 | DC61-03453A | TUB FRONT; F500,FRPP,OD 546.1,NTR,BUBBLE | SA | 1 |
| 1-8-3 | 3 | G0422 | DC97-14873C | ASSY HOSE AIR; F500,WF80F5E5U4W | SA | 1 |
| 1-8-4 | 3 | G0043 | DC97-14874F | ASSY HOSE DRAWER; F500E,ALL | SA | 1 |
| 1-8-4-1 | 4 | | DC61-04117A | CLIP RING; HSWR,T3.0 | SA | 1 |
| 1-8-4-2 | 4 | WJ0027 | DC72-00001G | CLIP RING; HEBA-PJT,HSWR,T3.0,ID49.5,W18, | SA | 1 |
| 1-8-5 | 3 | G0052 | DC67-00471E | HOSE CIRCULATION; F500E,EPDM,ID9.0,BLK | SA | 1 |
| 1-8-6 | 3 | W0615 | DC65-00008A | CLAMPER HOSE; SEW-DR605,SK5,-,ID14.2/T0.9 | SA | 4 |
| 1-8-7 | 3 | G0415 | DC61-02646A | GUIDE HOSE; WF0804Y8E,PP,T2.0,W9.8,L36.6, | SA | 2 |
| 1-9 | 2 | W0605 | DC97-17330A | ASSY HOSE PRESSURE; F500E,WF80F5E5U4W/EF | SA | 1 |
| 1-9-1 | 3 | WP0165 | DC61-70029C | CLIP RING; SEW-HW125,HSWR,WHITE | SA | 2 |
| 1-9-2 | 3 | W0725 | DC67-00230E | HOSE WATER; WD8704,TPE,ID4.5 | SA | 1 |
| 1-9-3 | 3 | W0615 | DC61-00219M | CLAMPER HOSE; SK5,WHITE | SNA | 1 |
| 1-9-4 | 3 | W0615 | DC61-00219C | CLAMPER HOSE; -,SK5,WLSL1100A,ID35,-,ZPC2 | SA | 1 |
| 1-9-5 | 3 | W0625 | DC67-00551A | HOSE FILTER TUB; VOLGA,EPDM,ID64.5,OD70,T | SNA | 1 |
| 1-10 | 2 | G0049 | 6009-001367 | BOLT-HEX; M6.5,L32,ZPC(WHT),SWRCH18A,HWH | SA | 15 |
| 2 | 1 | W0501 | DC90-12811A | ASSY TUB BACK; F500,CERAMIC | SNA | 1 |
| 2-1 | 2 | W0105 | 6002-000473 | SCREW-TAPPING; TH,+,NO,1,M4,L14,PASS,STS3 | SA | 2 |
| 2-2 | 2 | W0209 | 6602-001497 | BELT-TIMING GEAR; RUBBER(GATES),T3.2,1270 | SA | 1 |
| 2-3 | 2 | M0487 | DC32-00010C | THERMISTOR; WASHER,-10~100,5,5,3.243k | SA | 1 |
| 2-4 | 2 | WS0064 | DC61-02549A | BUSH MOTOR; HEBA BIGBANG,PA66+GF15%,NATUR | SA | 2 |
| 2-5 | 2 | W0230 | DC61-02874A | BRACKET HEATER; WD0704CQR,STS430,T0.5 | SA | 1 |
| 2-6 | 2 | W0434 | DC66-00767A | PULLEY MOTOR; F500,PA66,-,AF216V60(PA66+G | SA | 1 |
| 2-7 | 2 | W0231 | DC67-00670A | WEIGHT BALANCER-UP; F500,CONCRETE,-,4.0KG | SA | 1 |
| 2-8 | 2 | W0501 | DC97-17334A | ASSY TUB BACK; F500E,WF80F5E5U4W/EF | SA | 1 |

| No. | Lvl. | Loc. | Material Code | Description & Specification | SNA | Qty. |
|---------|------|--------|---------------|--|-----|------|
| 2-8-1 | 3 | WS0119 | DC62-00008A | SEAL OIL; NBR,BLACK,-,NBU | SA | 1 |
| 2-8-2 | 3 | W0740 | DC69-01769A | PACKING-TUB; ARNO,EPDM,EPDM,T5.5,L1720,BL | SNA | 1 |
| 2-8-3 | 3 | G0029 | DC97-17329A | ASSY SEMI TUB BACK; F500E,WF80F5E5U4W/EF | SNA | 1 |
| 2-8-3-2 | 4 | M0028 | DC69-00824A | PACKING-THERMISTOR; GW-PJT,EPDM,-,-,W17,H | SA | 1 |
| 2-9 | 2 | W0086 | DC31-00123F | MOTOR UNIVERSIAL DRIVE; Welling(UML 5204. | SA | 1 |
| 2-10 | 2 | G0420 | DC93-00355B | ASSY HEATER; 220~240V,SILICON | SNA | 1 |
| 2-10-1 | 3 | W0110 | 6031-001531 | WASHER-PLAIN; CR,ID7,OD14,T1.2,ZPC2,ACE-P | SA | 1 |
| 2-10-2 | 3 | W0237 | DC47-00033A | HEATER-WASH; AC230V,Double Fuse (167 | SC | 1 |
| 2-10-3 | 3 | W0235 | DC63-01553A | COVER HEATER; F500 PJT,ABS+PC,W77,L168.1, | SA | 1 |
| 2-11 | 2 | W0601 | DC97-14263A | ASSY BOLT; MOTOR/BOLT(M8)+WASHER(OD27.5), | SA | 5 |
| 2-12 | 2 | W0601 | DC97-06080C | ASSY BOLT; BOLT+WASHER(OD38),,,,,, | SA | 1 |
| 3 | 1 | W0165 | DC90-12363A | ASSY DRUM; F500E,WF80F5E5U4W/EF | SNA | 1 |
| 3-1 | 2 | WS0131 | DC60-00069A | SPACER; WR-HA139WA,STS304 | SA | 1 |
| 3-2 | 2 | W0165 | DC97-17231A | ASSY DRUM; F500 PJT | SA | 1 |
| 3-2-1 | 3 | | 6044-002157 | RING-OG; ID28,OD32.2,T2.1,BLK,NBR | SA | 1 |
| 3-2-2 | 3 | WJ5081 | DC60-40137A | BOLT HEX; MARS-PJT,STS430,M8,P1.25,L30,HE | SA | 3 |
| 3-2-3 | 3 | W0619 | DC66-00759A | DRUM LIFTER; F500 PJT,PP,W52,H45.8,L246,- | SA | 3 |
| 3-2-4 | 3 | W0164 | DC97-17234A | ASSY FLANGE SHAFT; F500 PJT | SA | 1 |
| 3-2-5 | 3 | | DC66-00757A | DRUM WRAPPER; F500 PJT,STS430,ID503,T0.5 | SNA | 1 |
| 3-2-6 | 3 | W0748 | DC66-00756A | DRUM FRONT; F500 PJT,STS430,ID311,OD525,T | SNA | 1 |
| 4 | 2 | G0049 | DC60-40144A | BOLT HEX; SM10C,L35,ZPC2(YEL),M10,ZPC2(YE | SA | 2 |

4. Assy Front

Exploded View



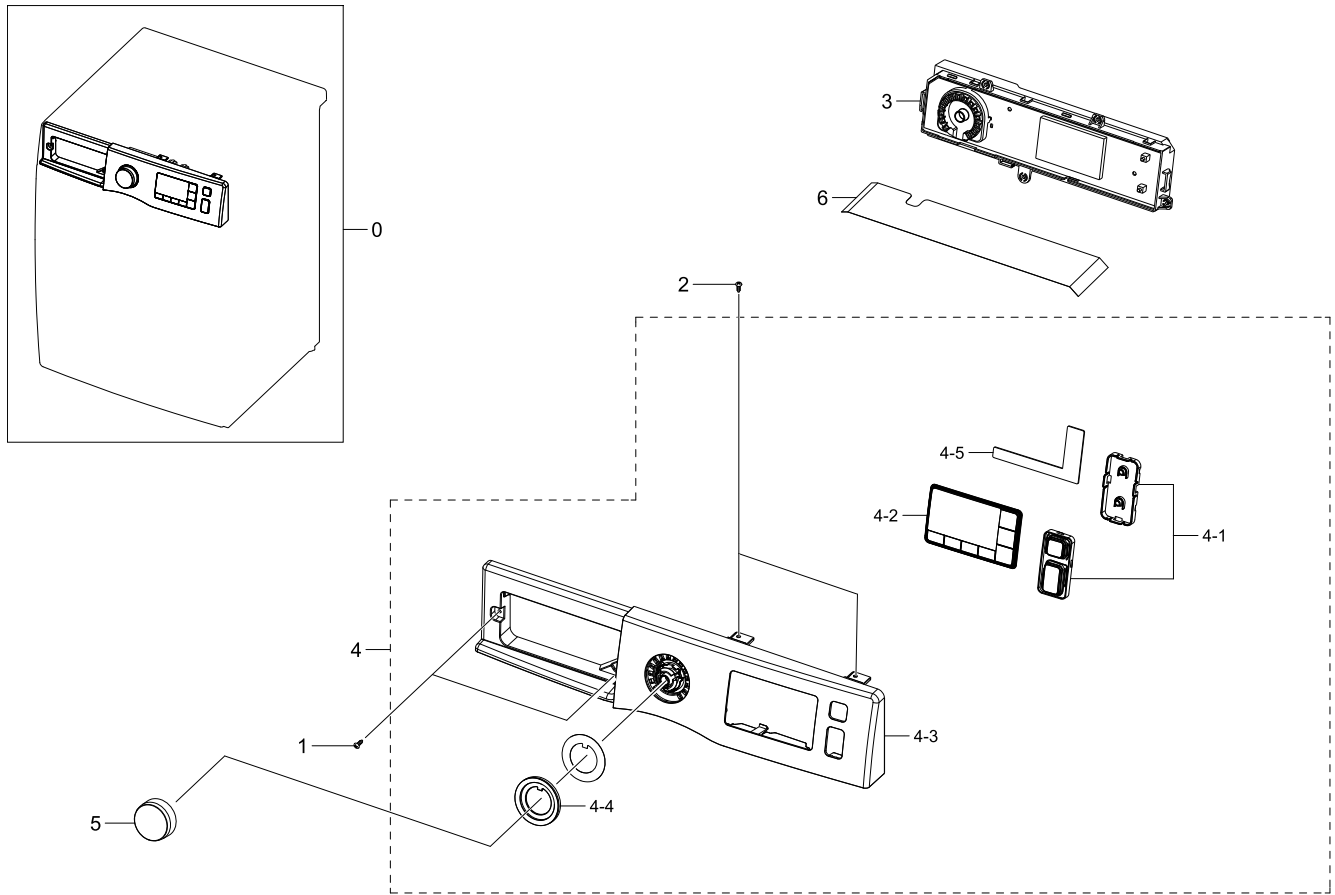
Parts List

| No. | Lvl. | Loc. | Material Code | Description & Specification | SNA | Qty. |
|-------|------|--------|---------------|--|-----|------|
| 0 | 1 | | DC90-12368A | ASSY FRONT; F500E,WF80F5E5U4W/EF | SNA | 1 |
| 1 | 2 | W0105 | 6002-001438 | SCREW-TAPPING; HWH,+,NO,1,M5,L12,ZPC(WHT) | SA | 2 |
| 2 | 2 | W0608 | DC91-12078D | ASSY WIRE DIAPHRAGM; HEBA-PJT,-,-,-,-,- | SA | 1 |
| 3 | 2 | W0253 | DC97-17328A | ASSY FRAME FRONT; F500E,WF80F5E5U4W/EF | SNA | 1 |
| 3-1 | 3 | | DC97-20168A | ASSY FILTER GUIDE; F500,WW5,WW6,WF80F5E5U | SA | 1 |
| 3-2 | 3 | | DC63-00920M | COVER FILTER; ADD WASH,ABS,T2.5,DA WHITE, | SA | 1 |
| 3-3 | 3 | | DC97-19086A | ASSY COVER DOOR SWITCH; F500 | SNA | 1 |
| 3-3-1 | 4 | WE0059 | DC63-00967A | COVER DOOR SWITCH; AEGIS-PJT/ WF8500NHW,P | SA | 1 |
| 3-3-2 | 4 | WE0067 | DC64-01538A | SWITCH DOOR LOCK; AC250V,16,BIMETAL | SA | 1 |

| No. | Lvl. | Loc. | Material Code | Description & Specification | SNA | Qty. |
|-----------|------|--------|---------------|--|-----|------|
| 3-4 | 3 | | DC61-02577B | GUIDE FRAME FRONT; WF1802XEC,POM,L19.4,NT | SA | 4 |
| 3-5 | 3 | | DC97-17482D | ASSY FRAME FRONT-SEMI; F500E,WF70F5E2Q4W/ | SA | 1 |
| 3-5-1 | 4 | W0226 | DC61-02584A | BRACKET HINGE; GI-SGCC,T1.4,- | SA | 1 |
| 3-6 | 3 | W0459 | DC97-17333A | ASSY DOOR; F500E,WF80F5E5U4W/EF,TPR+NEAT | SA | 1 |
| 3-6-1 | 4 | WD0070 | DC64-01521A | DOOR GLASS; WF8804DP,GLASS,T5.0,H120.5,NA | SA | 1 |
| 3-6-2 | 4 | W0454 | DC97-17331A | ASSY HOLDER GLASS; F500E,WF80F5E5U4W/EF | SNA | 1 |
| 3-6-2-1 | 5 | | DC61-01915D | BRACKET HOLDER; GI-SGCC,T1.2,- | SA | 1 |
| 3-6-2-2 | 5 | W0474 | DC66-00321A | LEVER-DOOR; WF80F5E5U4W/EF,ZNDC,Ni | SNA | 1 |
| 3-6-2-3 | 5 | | DC97-19085A | ASSY HINGE DOOR; F500 | SNA | 1 |
| 3-6-2-3-1 | 6 | W0219 | DC61-03189A | HINGE DOOR; WF8804DP,PA66,T5.0,Dark Holde | SA | 1 |
| 3-6-2-3-2 | 6 | WD0090 | DC61-00891A | GUIDE HINGE; HAUZEN(DOM),POM,NTR(WHT),HIN | SA | 4 |
| 3-6-2-4 | 5 | WD0130 | DC61-02027A | SPRING ETC LEVER; STS304,CD1.2,L10.6 | SA | 1 |
| 3-6-2-5 | 5 | G0427 | DC61-03476A | HOLDER GLASS; WF-F500E,PP,T2.5,NEAT WHITE | SNA | 1 |
| 3-6-2-6 | 5 | G0428 | DC63-01541A | COVER HANDLE; WF-F500E,ABS,-,-,DA WHITE,H | SNA | 1 |
| 3-6-2-7 | 5 | W0722 | DC64-02852A | HANDLE DOOR; WF-F500E,ABS,T2.0,HG-0760GP, | SNA | 1 |
| 3-6-3 | 4 | W0440 | DC63-01538A | COVER DOOR; WF-F500E,ABS,DA WHITE,TF0959H | SNA | 1 |
| 3-7 | 3 | G0425 | 6009-001522 | SCREW-HEX; HWH,+,M5,L16,PASS,STS430,FP,SE | SA | 2 |

5. Assy Panel Control

Exploded View



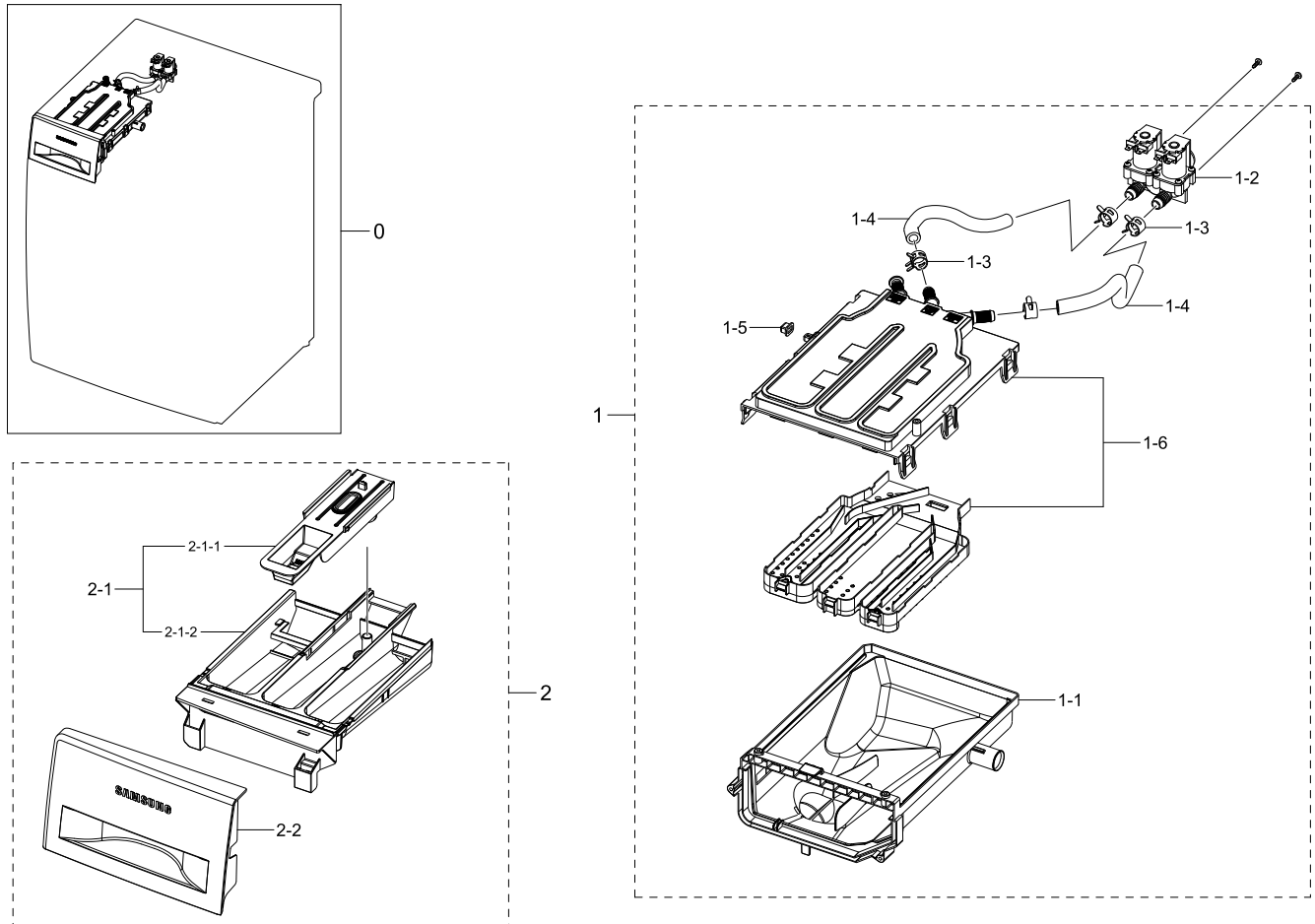
Parts List

| No. | Lvl. | Loc. | Material Code | Description & Specification | SNA | Qty. |
|-----|------|--------|---------------|--|-----|------|
| 0 | 1 | W0478 | DC90-12735D | ASSY PANEL CONTROL; F500,WF70F5E5W4W/EC | SNA | 1 |
| 1 | 2 | W0105 | 6002-000445 | SCREW-TAPPING; TH,+,NO,2S,M4,L18,PASS,STS | SNA | 2 |
| 2 | 2 | WX0441 | 6002-000520 | SCREW-TAPPING; TH,+,-,2,M4,L12,ZPC(WHT),S | SNA | 2 |
| 3 | 2 | | DC94-06279A | ASSY PCB EEPROM; 0220,FWM_UNI, F500E,7KG, | SA | 1 |
| 4 | 2 | W0478 | DC97-17316G | ASSY PANEL CONTROL; WF70F5E5U4W/EC,Spanis | SNA | 1 |
| 4-1 | 3 | G0431 | DC97-17392A | ASSY BUTTON; WF80F50FU4W/EF | SNA | 1 |
| 4-2 | 3 | | DC64-02854A | WINDOW PANEL; F500E,ABS+PMMA,-,TF-0930,GR | SNA | 1 |
| 4-3 | 3 | W0180 | DC64-02853E | PANEL CONTROL; WW3000,7kg,ABS,HG-0760GP,D | SNA | 1 |
| 4-4 | 3 | G0443 | DC64-02856A | WINDOW ENCODER; F500E,PMMA,TF-0959T,GRAY | SNA | 1 |

| No. | Lvl. | Loc. | Material Code | Description & Specification | SNA | Qty. |
|-----|------|-------|---------------|---|-----|------|
| 4-5 | 3 | W0897 | DC93-00351A | ASSY SENSOR; F500 BEST, TOUCH SENSOR, 7-BUT | SNA | 1 |
| 5 | 2 | | DC64-03312A | KNOB ENCODER; F500E, ABS+PMMA, WT0035, TP00 | SA | 1 |
| 6 | 2 | | DC63-01801A | SHEET PCB; DV80H4100CW, PC, -, V0, 3022R, BLAC | SA | 1 |

6. Assy Drawer

Exploded View



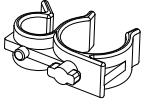
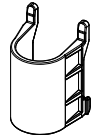


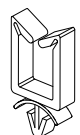

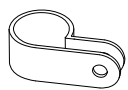

Parts List

| No. | Lvl. | Loc. | Material Code | Description & Specification | SNA | Qty. |
|-----|------|-------|---------------|---|-----|------|
| 0 | 1 | W0216 | DC90-12798A | ASSY DRAWER; F500,UNI,WHT,COLD | SNA | 1 |
| 1 | 2 | W0163 | DC97-17311A | ASSY HOUSING DRAWER; F500E,WF80F50FU4W,PP | SA | 1 |
| 1-1 | 3 | W0372 | DC61-03473A | HOUSING DRAWER-LOW; WF-F500E,PP,-, WHITE,- | SA | 1 |
| 1-2 | 3 | W0078 | DC62-00024M | VALVE WATER; AC220-240V,Bracket,1in 2out, | SC | 1 |
| 1-3 | 3 | W0615 | DC65-00008A | CLAMPER HOSE; SEW-DR605,SK5,-,ID14.2/T0.9 | SA | 4 |
| 1-4 | 3 | W0151 | DC67-00051T | HOSE DRAWER; F500E,EPDM,ID9.0,OD14.5,L230 | SA | 2 |
| 1-5 | 3 | | DC67-00327A | CAP DRAWER HOOK; HEBA-PJT,EPDM,T1.1,W13.9 | SA | 1 |
| 1-6 | 3 | W0497 | DC97-17347A | ASSY S.HOUSING DRAWER; F500E,WF80F5E5U4W | SA | 1 |
| 2 | 2 | W0216 | DC97-17310B | ASSY DRAWER; F500E,WF80F50FU4W | SA | 1 |

| No. | Lvl. | Loc. | Material Code | Description & Specification | SNA | Qty. |
|-------|------|-------|---------------|--|-----|------|
| 2-1 | 3 | W0216 | DC97-19194A | ASSY DRAWER; F500E,Body Drawer+Cap Rinse | SA | 1 |
| 2-1-1 | 4 | W0215 | DC67-00452A | CAP RINSE; WF0800NCE,PP,MT43, PTN960,HONE | SA | 1 |
| 2-1-2 | 4 | W0156 | DC61-03480A | BODY DRAWER; WF-F500E,PP,DA WHITE,WT0035, | SA | 1 |
| 2-2 | 3 | | DC64-02858B | PANEL DRAWER; WF-F500E,ABS,-,HG-0760GP,DA | SA | 1 |

7. Small Parts

Exploded View

| | | | | |
|---|---|---|---|---|
|  |  |  |  |  |
| 1 | 2 | 3 | 4 | 5 |
|  |  |  | | |
| 6 | 7 | 8 | | |

Parts List

| No. | Lvl. | Loc. | Material Code | Description & Specification | SNA | Qty. |
|-----|------|--------|---------------|--|-----|------|
| 1 | 2 | W0616 | DC61-00133A | CLAMPER HOSE-FIX; P1291,PP,-,HOSE+PLUG,BJ | SA | 2 |
| 2 | 2 | | DC61-04251A | GUIDE HOSE; F500E,PP,RM60,BLACK | SNA | 1 |
| 3 | 2 | WI0293 | DC61-40081A | HOLDER WIRE; DAWH-2NC,PA66,-,NATURAL,- | SA | 3 |
| 4 | 2 | W0623 | DC61-40083A | HOLDER WIRE; DAWH-3ND,PA66,NTR(PI24.4)/NY | SA | 2 |
| 5 | 2 | M0001 | DC61-00553B | CABLE CLAMP; DAWS-3NE,PA66,NTR | SA | 6 |
| 6 | 2 | WI0293 | DC61-00995C | HOLDER WIRE; HEBA-PJT,PA,-,NATURAL,-,2110 | SA | 1 |
| 7 | 2 | | DC65-20010A | CABLE CLAMP; DA-9N-1,NYLON66,NTR | SNA | 1 |
| 8 | 2 | | 6502-000127 | CABLE CLAMP; DAWH-18NB,PA66,NTR | SA | 1 |