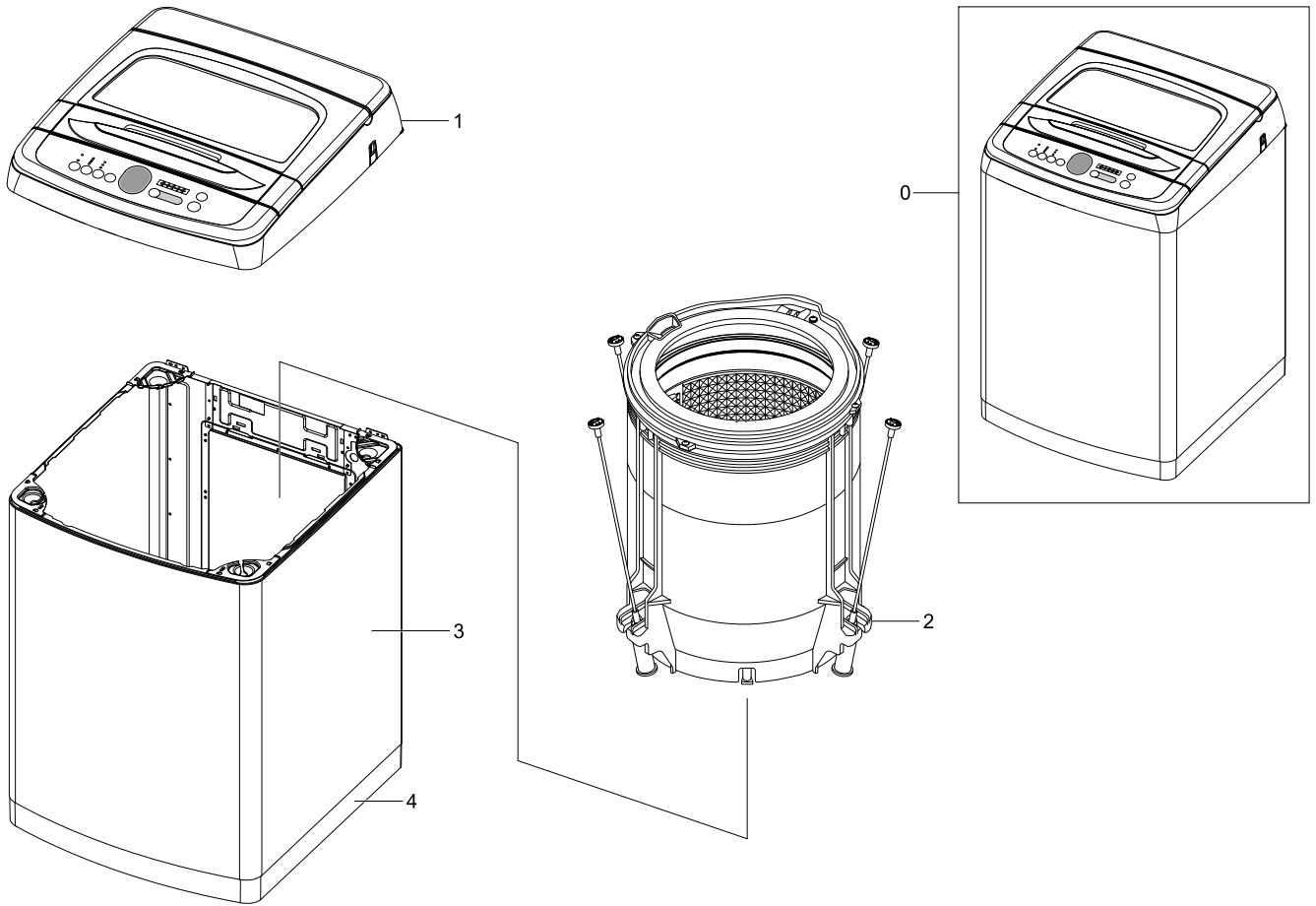


# 1. 5-1 Main

## Exploded View

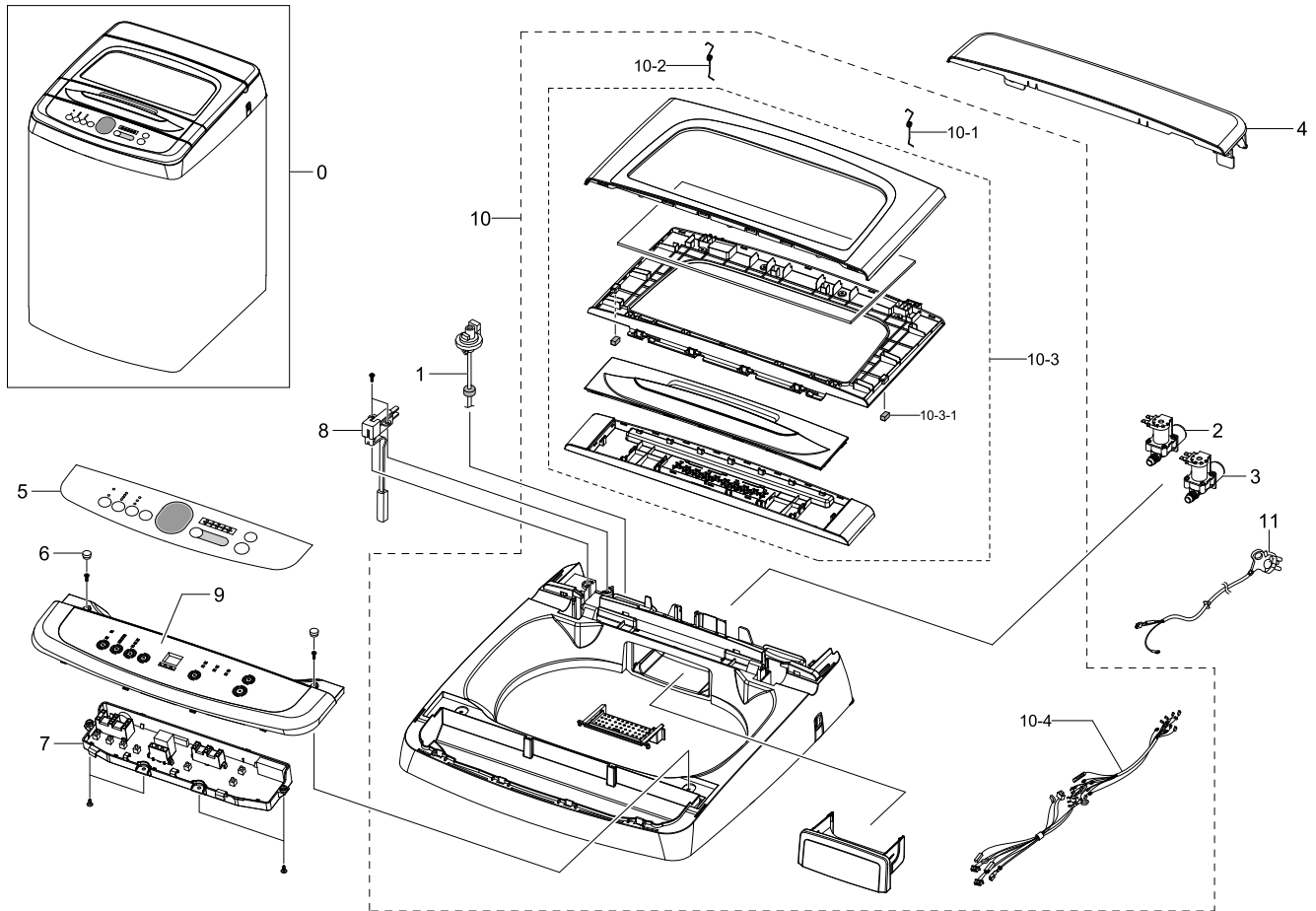


## Parts List

No.	Lvl.	Loc.	Material Code	Description & Specification	SNA	Qty.
1	1	W0183	DC90-12425A	ASSY COVER TOP; WA80G5DIP/YGG,GAIA-PJT,GO	SNA	1
2	1	W0500	DC90-09374A	ASSY TUB; GAIA-PJT,GOOD 6 KG.,230V~50HZ,P	SNA	1
3	1	W0495	DC90-05547A	ASSY PAINT; AUTO 6~7 KG / T0.5,DA WHITE /	SNA	1
4	1	W0487	DC97-09691F	ASSY BASE; BP ENTRY,PP-COPO,(05/4)/BLK/PU	SA	1

# 1.1. 5-2 Assy Cover Top

## Exploded View



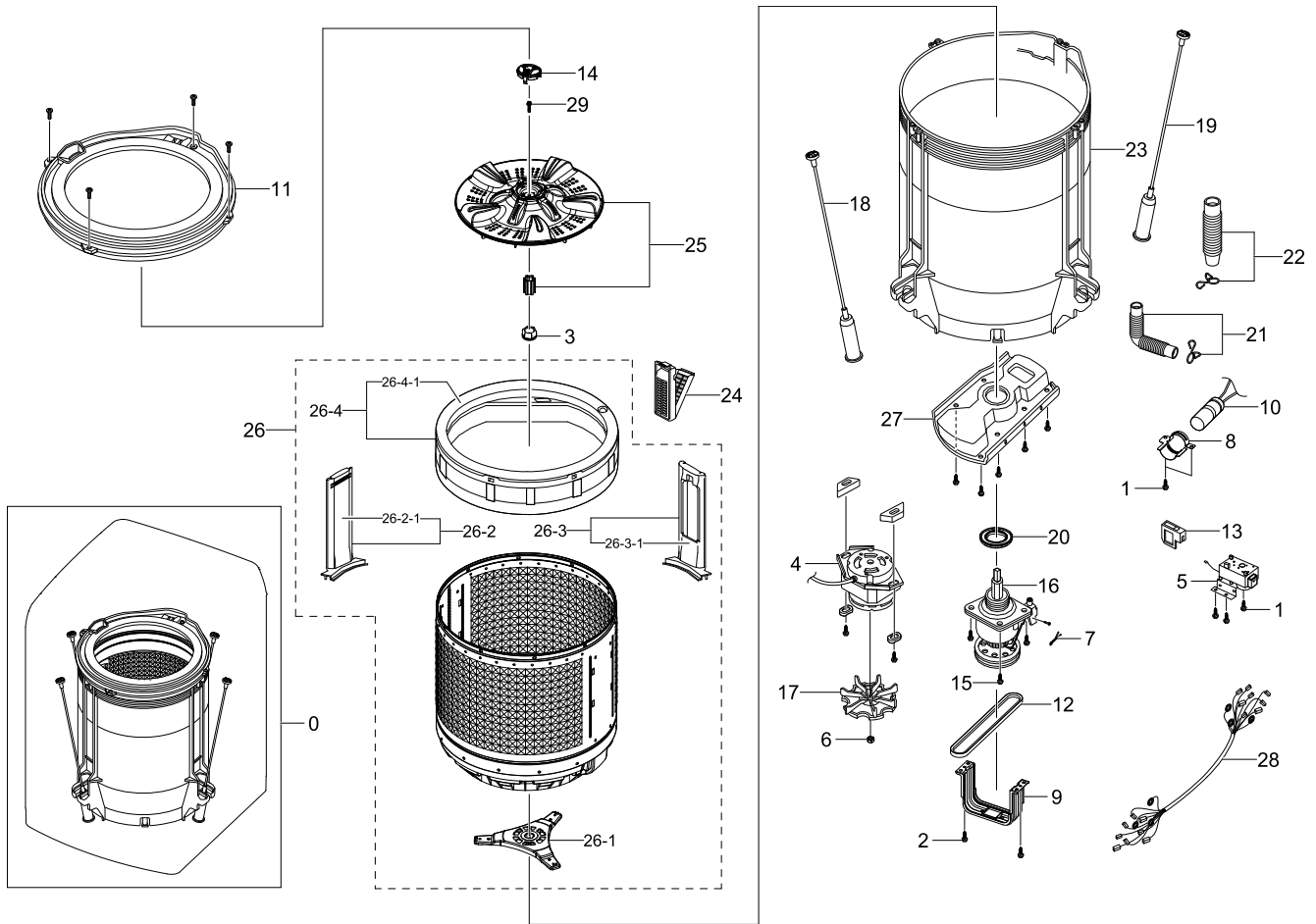
## Parts List

No.	Lvl.	Loc.	Material Code	Description & Specification	SNA	Qty.
0	1	W0183	DC90-12425A	ASSY COVER TOP; WA80G5DIP/YGG,GAIA-PJT,GO	SNA	1
1	2	H2050	DC32-00013A	SENSOR PRESSURE; DN-S24,Hose L : 61020m	SA	1
2	2	W0078	DC62-00217G	VALVE WATER; 220-240,GRY,25,A-1	SC	1
3	2	W0078	DC62-00217H	VALVE WATER; 220-240,GRY,25,A-1	SA	1
4	2	W0172	DC63-01177N	COVER-T.C; GAIA-PJT/GOOD 6 KG,ABS,DA-WHIT	SA	1
5	2	W0149	DC64-02542Y	INLAY-PANEL; WA80G5DIP/YGG,PET,T0.25,DA W	SNA	1
6	2	W0468	DC67-00347C	CAP-SCREW; POSEIDON2-PJT,SILICON,W13.3,L1	SNA	2
7	2	W0470	DC92-00510H	ASSY PCB MAIN; GAIA-PJT,GOOD 6KG.,H+C,230	SA	1
8	2	W0178	DC93-00053A	ASSY CHECKER S/W; DC15V/50mA,PSD 6-7 KG,G	SA	1

No.	Lvl.	Loc.	Material Code	Description & Specification	SNA	Qty.
9	2	W0478	DC97-16383A	ASSY PANEL CONTROL; GAIA-PJT,BETTER 6KG,D	SA	1
10	2	W0176	DC97-16391J	ASSY SEMI COVER TOP; GAIA,G & BTT 6KG/H+C,A	SA	1
10-1	3	W0664	DC61-00146F	SPRING ETC-Q(R); POSEIDON2-PJT,HSWR-SWRH,	SNA	1
10-2	3	W0143	DC61-00146G	SPRING ETC-Q(L); POSEIDON2-PJT,HSWR-SWRH,	SA	1
10-3	3	W0175	DC97-16375C	ASSY LID T.C; GAIA,G & BTT 6-7KG,ABS+GLASS,	SA	1
10-3-1	4		DC61-60044J	CUSHION-LID; SW-46J1,SILICON,T5.5,W8.0,L1	SA	2
10-4	3		DC93-00041K	ASSY WIRE HARNESS-MAIN; GAIA,WA80G5DIP/XF	SA	1
11	2	W0081	DC90-10065B	ASSY POWER CORD; VDE,UCP2,250V16A,H05VV-F	SA	1

# 1.2. 5-3 Assy Tub

## Exploded View



## Parts List

No.	Lvl.	Loc.	Material Code	Description & Specification	SNA	Qty.
0	1	W0500	DC90-09374A	ASSY TUB; GAIA-PJT,GOOD 6 KG.,230V~50HZ,P	SNA	1
1	2	W0105	6002-001308	SCREW-TAPPING; TH,+,-,1,M5,L20,ZPC(WHT),S	SA	4
2	2	W0105	6002-001311	SCREW-TAPPING; HWH,+,-,2,M6.5,L20,ZPC(WHT),	SA	8
3	2	U2022	6021-001222	NUT-HEXAGON FLANGE; 1C,M24,ALDC8,CW,T14	SA	1
4	2	U2021	DC31-00132A	MOTOR INDUCTION; POSEIDON 7,WAS165WTVA(SA	SC	1
5	2	U2020	DC31-20014B	MOTOR DRAIN; SWD-225,220~240V,50Hz~60Hz	SA	1
6	2	M0012	DC60-50153A	NUT-HEX; EGI-SECC,M8,FZY	SA	1
7	2		DC60-80017B	PIN-LINK; MSWR-SWRH	SA	1

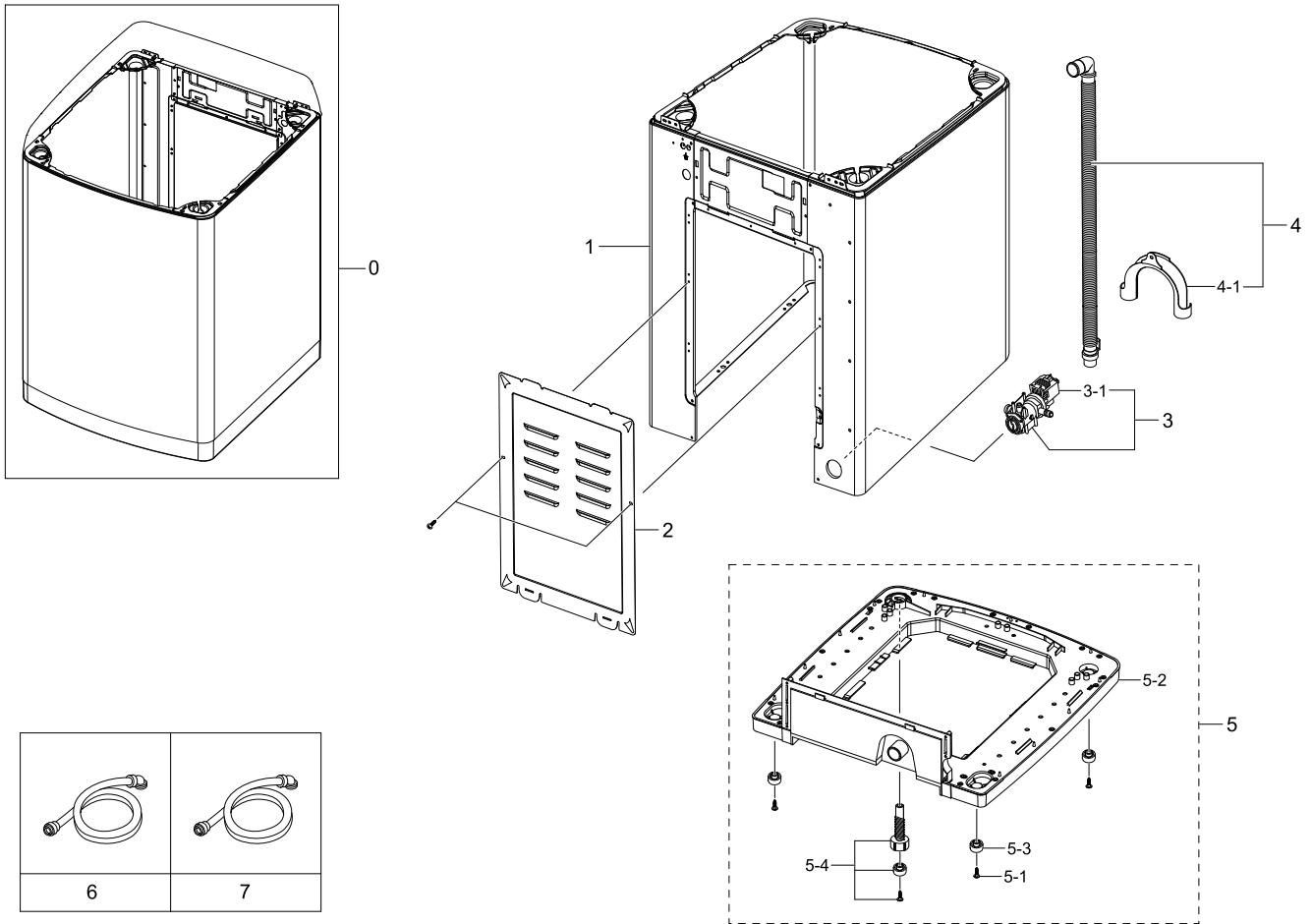
No.	Lvl.	Loc.	Material Code	Description & Specification	SNA	Qty.
8	2	U2008	DC61-02171A	BRACKET-CONDENSER; AUTO 6-7 KG.,GI-SGCC,T	SA	1
9	2		DC61-40053B	CRADLE-SADDLE; SW-5A1,GI-SGCC,T0.8,GI	SA	1
10	2	U2010	DC62-00131A	CONDENSER-M.F; 8uF,-25 to 80,BK,450V,5%,4	SA	1
11	2	U2011	DC63-00760A	COVER-TUB; POSEIDON-PJT(6kg),PP,-,-,-,-	SA	1
12	2	U2007	DC66-10142A	BELT-V; STATIC,M22,-,SEW-60FX,-	SA	1
13	2	U2019	DC66-30027A	LINK; PP,L52.5,NTR	SC	1
14	2	U2009	DC67-00248B	CAP-PULSATOR; POSEIDON-PJT(6-7KG),PP,-,-,	SA	1
15	2	M0030	DC91-11258E	ASSY SCREW; -,SHAFT+DIE-MOTO(COAT),-,M8	SA	4
16	2	W0157	DC91-11644E	ASSY SHAFT; OWM,5.25:1,-,-,-,-	SA	1
17	2	U2004	DC96-01381A	ASSY PULLEY MOTOR; WA90UP,GI/T0.6/ OP63.5	SA	1
18	2	W0733	DC97-00121M	ASSY DAMPER; POSEIDON-7KG,FRONT,RED,L536	SA	2
19	2	W0733	DC97-00121N	ASSY DAMPER; POSEIDON-7KG,REAR,NTR,L528	SA	2
20	2	U2006	DC97-00623A	ASSY WASHER PLAIN; SEW-524,SEM-NEW,-,-,-,	SA	1
21	2	M0041	DC97-06148A	ASSY HOSE DRAIN; BP5/KS6,PUMP-MODEL,EPDM,	SA	1
22	2	W0724	DC97-06149A	ASSY HOSE PUMP; BP5/KS6,PUMP-MODEL,-,-,-,	SA	1
23	2	W0452	DC97-08139J	ASSY SEMI TUB OUTER; AUTOMATIC 5~7kg./PP(	SA	1
24	2	G0050	DC97-12773A	ASSY FILTER; POSEIDON-PJT,SAVOY-BLUE,-,-	SC	1
25	2	U2005	DC97-13144C	ASSY PULSATOR; PSD 6~7 KG/GOOD,PP+ALDC/KT	SA	1
26	2	W0100	DC97-13920G	ASSY BASKET SPIN; PSD2-PJT,6 KG,720rpm,T0	SA	1
26-1	3	W0255	DC66-00046B	FLANGE-SHAFT; -,ALDC12,ALDC,ID- PROCESS	SA	1
26-2	3	M0018	DC97-13076B	ASSY GUIDE W.F; POSEIDON-PJT(6KG),PP 441J	SA	1
26-2-1	4		DC61-01713A	GUIDE-W.F; POSEIDON-PJT(6kg),PP,-,-,-,F	SA	1
26-3	3	M0018	DC97-13076D	ASSY GUIDE W.F; POSEIDON 6 KG,GUIDE W.F(F	SA	1
26-3-1	4		DC61-01712A	GUIDE-W.F; POSEIDON-PJT(6kg),PP,-,-,-,M	SA	1
26-4	3	W0492	DC97-14177A	ASSY BALANCER; POSEIDON-PJT(7kg),KTL-GRY,	SA	1
26-4-1	4		DC63-00765A	COVER-BALANCER; POSEIDON-PJT,PP,-,-,-,-	SA	1
27	2		DC97-15649B	ASSY DIE MOTOR; AUTO,6~7 KG.,GI/T1.4	SA	1

## Exploded Views and Parts List

No.	Lvl.	Loc.	Material Code	Description & Specification	SNA	Qty.
28	2		DC96-00462K	ASSY WIRE HARNESS-SUB PUMP PBA (3TYPE); P	SA	1
29	2	M0010	DC60-00004A	BOLT-PULSATOR; SW70A1,STAINLESS-ST5430,HE	SNA	1

## 1.3. 5-4 Assy Frame & Base

### Exploded View



### Parts List

No.	Lvl.	Loc.	Material Code	Description & Specification	SNA	Qty.
1	1	W0495	DC90-05547A	ASSY PAINT; AUTO 6~7 KG / T0.5,DA WHITE /	SNA	1
2	2	W0617	DC63-00232D	COVER-BACK; PSD-PJT,GI-SGCC,T0.30,W387,L5	SA	1
3	2	W0194	DC96-01111B	ASSY PUMP DRAIN; POSEIDON 6-7KG,A TYPE,22	SA	1
3-1	3	M0022	DC31-00030A	PUMP-DRAIN; B20-6 / S3001,220V-240V,50Hz,	SA	1
4	2		DC97-09447A	ASSY HOSE(O); ALL MODEL(NEW),PP+EVA(77:23	SA	1
4-1	3	W0626	DC62-10278A	HOSE-HANGER; PUMP MODEL,PP,BLACK	SA	1
5	1	W0487	DC97-09691F	ASSY BASE; BP ENTRY,PP-COPO,(05/4)/BLK/PU	SA	1
5-1	2	W0105	6002-001306	SCREW-TAPPING; TH,+,1,M4,L14,ZPC(WHT),SWR	SNA	3
5-2	2	W0488	DC61-01493B	BASE; BP ENTRY NO.1,PP,-,-,BLK,PUMP	SNA	1

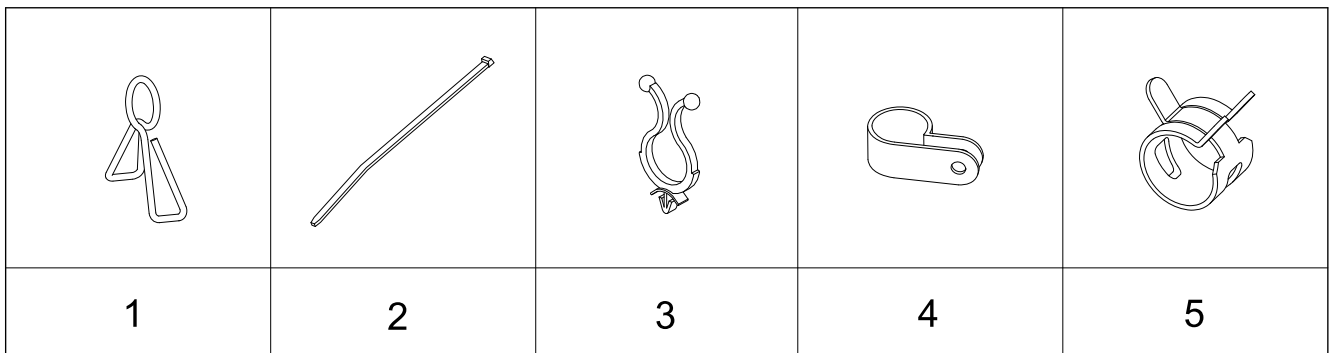
Exploded Views and Parts List

No.	Lvl.	Loc.	Material Code	Description & Specification	SNA	Qty.
5-3	2	U2018	DC61-50015B	LEG-RUBBER; SW70A1,BUTYL,-,BLACK,HRS70	SNA	3
5-4	2	W0606	DC97-12754A	ASSY LEG; POSEIDON-PJT(8KG),BLK/PP-COPO	SA	1
6	2	W0757	DC97-16921A	ASSY HOSE WATER; HEBA,WF8804,REFLEX,BLUE/	SA	1
7	2	W0757	DC97-16921B	ASSY HOSE WATER; HEBA,WF8804,REFLEX	SA	1



## 1.4. 5-5 Small Parts

### Exploded View



### Parts List

No.	Lvl.	Loc.	Material Code	Description & Specification	SNA	Qty.
1	2	M0005	DC61-70029A	SPRING-CLIP; HSWR-SWRH,ID7.5,D1.2,ZPC3 /	SA	1
2	2		DC65-10002A	CABLE TIE; DA-203	SNA	2
3	2		6046-000311	STAND OFF; ID15,L5,NTR,NYLON66,DAWH-5NB	SNA	1
4	2		DC65-20008C	CABLE CLAMP; DA-8N,ID13.2/T1.0,NYLON#66,N	SA	1
5	3	W0615	DC61-60067B	CLAMPER HOSE; -,SK5,SNC2,ID7.5/ W6/T0.6,-	SNA	1