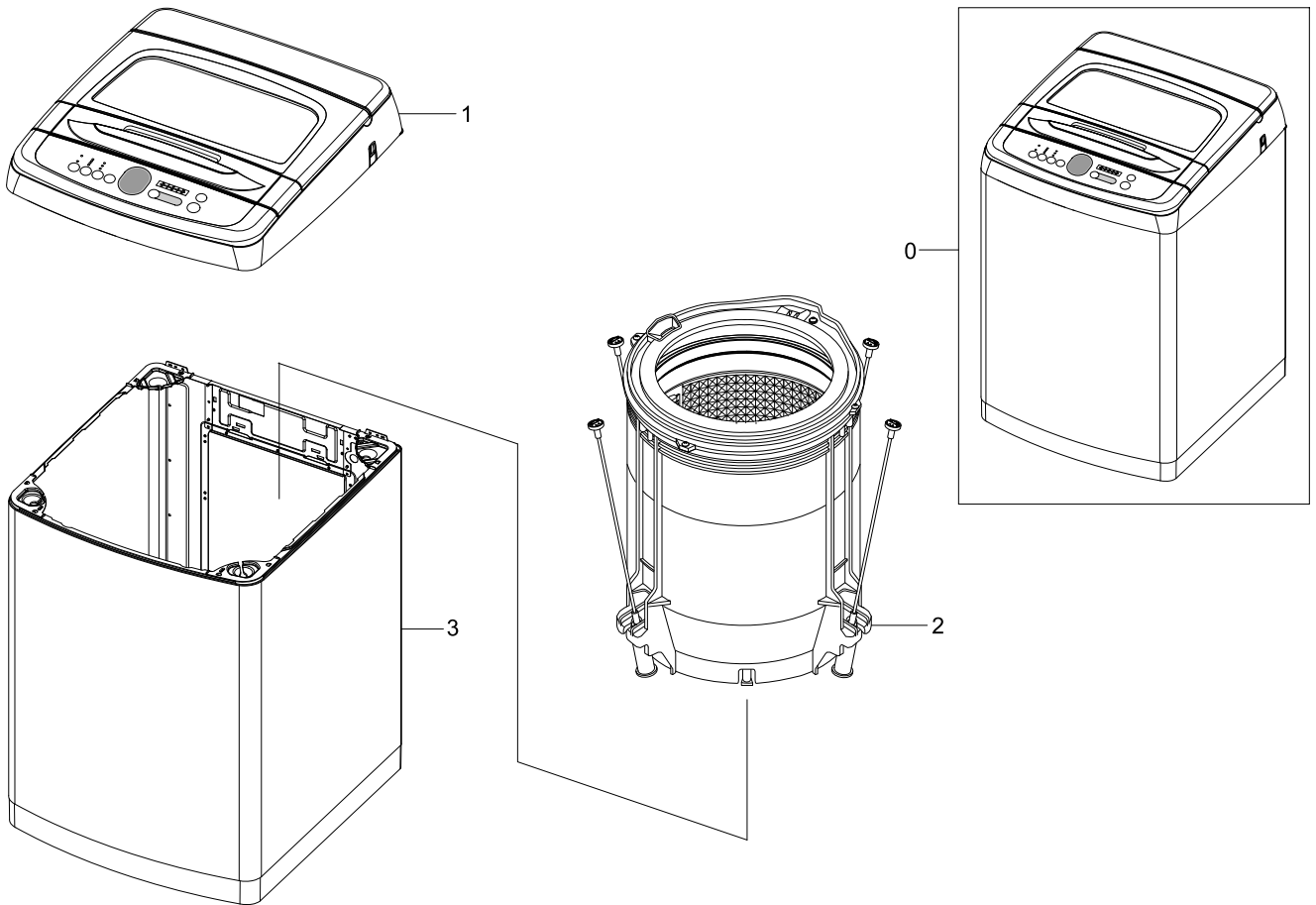


1. MAIN

Exploded View

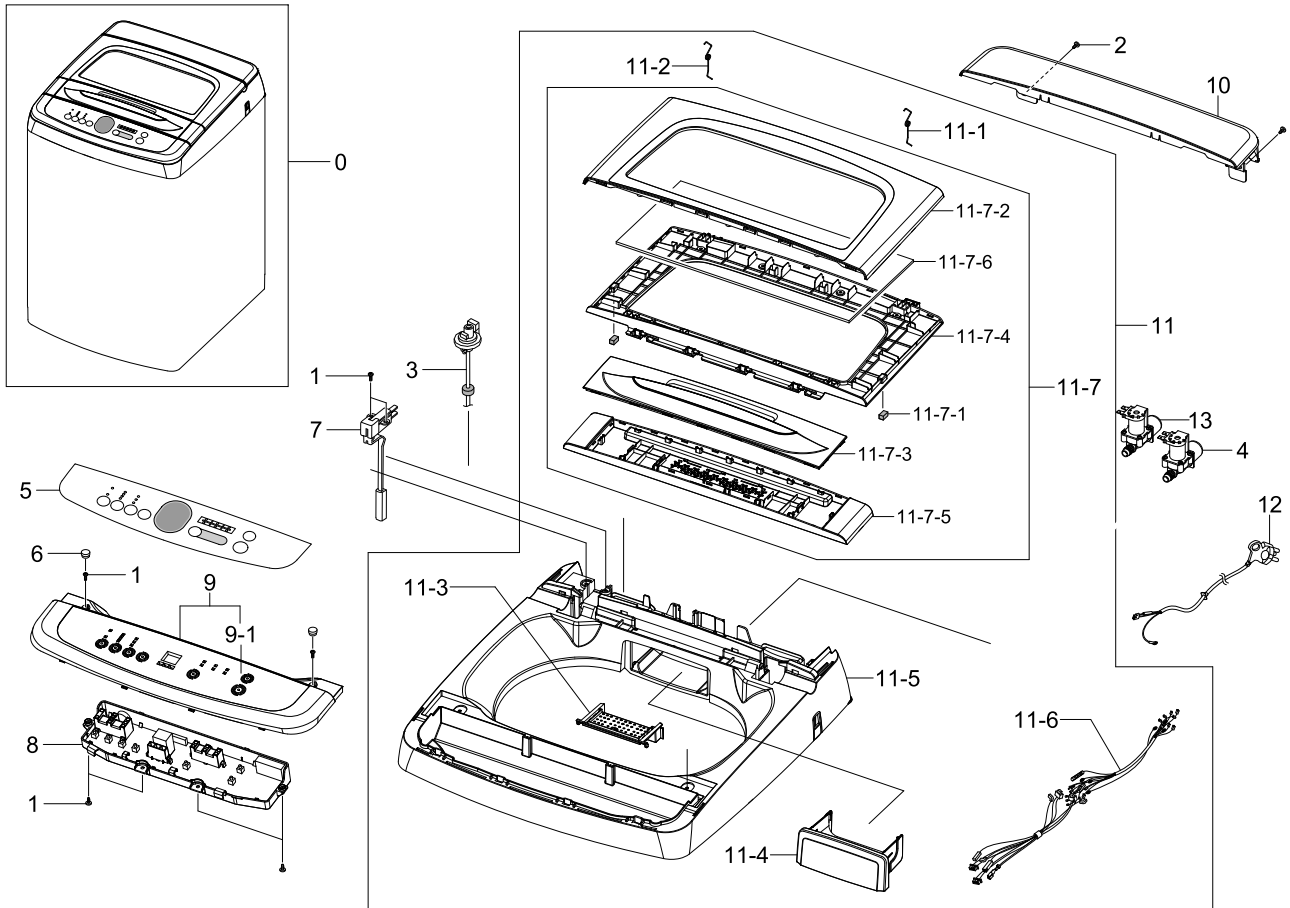


Parts List

No.	Lvl.	Loc.	Material Code	Description & Specification	SNA	Qty.
1	1	P0001	DC90-12425A	ASSY COVER TOP; WA80G5DIP/YGG,GAIA-PJT,GO	SNA	1
2	1	U0011	DC90-09374A	ASSY TUB; GAIA-PJT,GOOD 6 KG.,230V~50HZ,P	SNA	1

1.1. ASSY COVER TOP

Exploded View



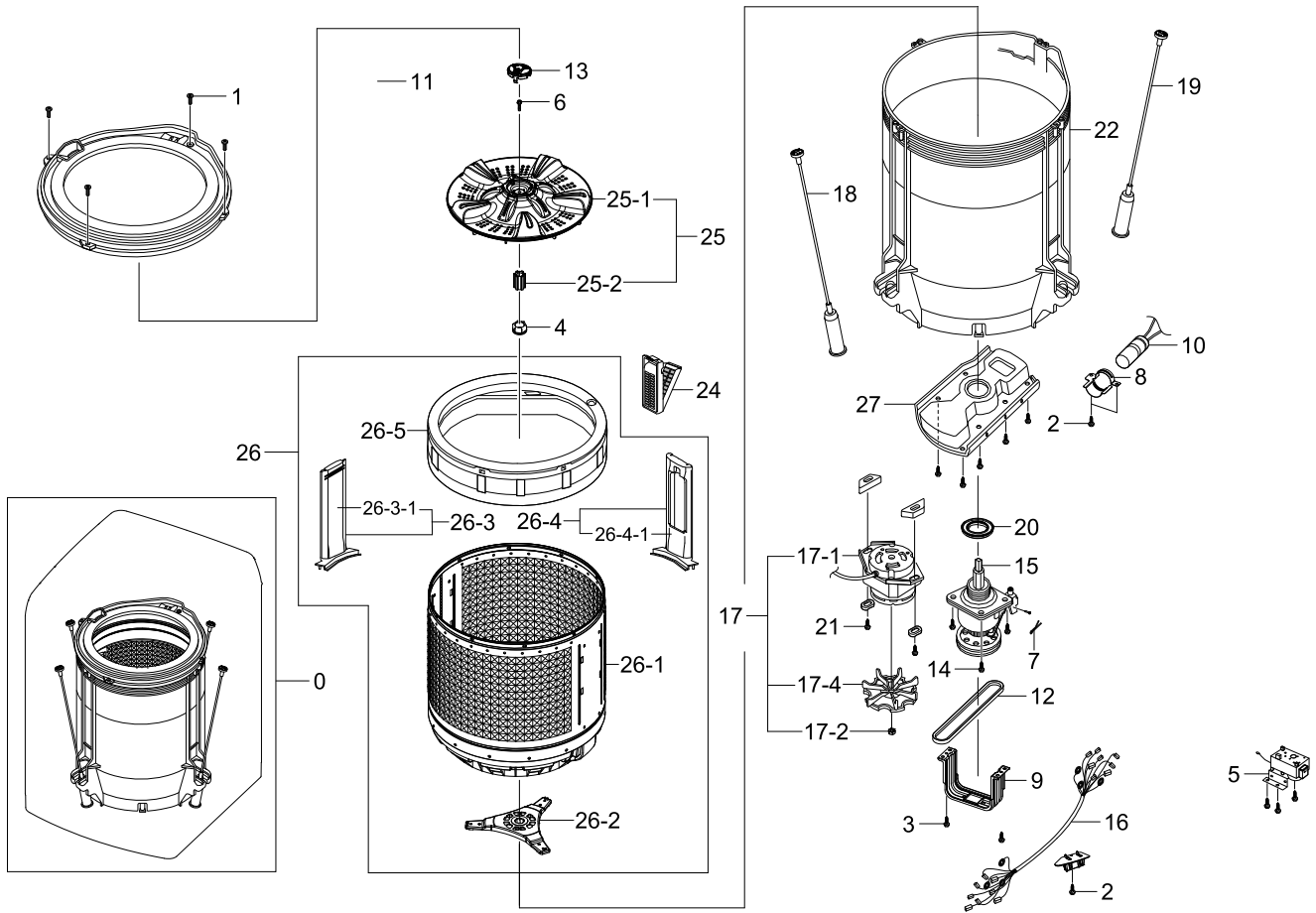
Parts List

No.	Lvl.	Loc.	Material Code	Description & Specification	SNA	Qty.
0	1	P0001	DC90-12425A	ASSY COVER TOP; WA80G5DIP/YGG,GAIA-PJT,GO	SNA	1
1	2	Z0062	6002-001306	SCREW-TAPPING; TH,+,1,M4,L14,ZPC(WHT),SWR	SA	3
2	2	Z0062	6002-001308	SCREW-TAPPING; TH,+,-,1,M5,L20,ZPC(WHT),S	SA	4
3	2	Q0005	DC32-00013A	SENSOR PRESSURE; DN-S24,Hose L : 61020m	SA	1
4	2	W0032	DC62-00217H	VALVE-WATER; DR S1/COLD,PP,83x45,1~8(3~25	SA	1
5	2	A0242	DC64-02542Y	INLAY-PANEL; WA80G5DIP/YGG,PET,T0.25,DA W	SNA	1
6	2	D0117	DC67-00347C	CAP-SCREW; POSEIDON2-PJT,SILICON,W13.3,L1	SNA	2
7	2	M0011	DC93-00053A	ASSY CHECKER S/W; DC15V/50mA,PSD 6-7 KG,G	SA	1

No.	Lvl.	Loc.	Material Code	Description & Specification	SNA	Qty.
8	2	Y0178	DC92-00510H	ASSY PCB MAIN; GAIA-PJT,GOOD 6KG.,H+C,230	SA	1
9	2	C0002	DC97-16383A	ASSY PANEL CONTROL; GAIA-PJT,BETTER 6KG,D	SA	1
9-1	3	C0082	DC64-02244A	PANEL-CONTROL; GAIA-PJT_ 6-7kg,ABS,DA-WHI	SNA	1
10	2	P0051	DC63-01177N	COVER-T.C; GAIA-PJT/GOOD 6 KG,ABS,DA-WHIT	SA	1
11	2	P0010	DC97-16391J	ASSY SEMI COVER TOP; GAIA,G & BTT 6KG/H+C,A	SA	1
11-1	3	A0349	DC61-00146F	SPRING ETC-Q(R); POSEIDON2-PJT,HSWR-SWRH,	SNA	1
11-2	3	A0348	DC61-00146G	SPRING ETC-Q(L); POSEIDON2-PJT,HSWR-SWRH,	SNA	1
11-3	3	P0148	DC61-01766A	GUIDE-WATER; POSEIDON-PJT(6kg),PP,T2.3,-,	SNA	1
11-4	3	P0038	DC61-02670A	CASE-DETERGENT; GAIA-PJT_ 6-7kg,ABS,DA-WH	SNA	1
11-5	3	P0053	DC63-01178C	COVER-TOP; GAIA/G & BTT 6KG,ABS,DA-WHT,H+C	SNA	1
11-6	3	W0004	DC93-00041F	ASSY M. WIRE HARNESS; CT-PJT,GOOD 6 KG,H+	SA	1
11-7	3	P0041	DC97-16375C	ASSY LID T.C; GAIA,G & BTT 6-7KG,ABS+GLASS,	SA	1
11-7-1	4	P0058	DC61-60044J	CUSHION-LID; SW-46J1,SILICON,T5.5,W8.0,L1	SA	2
11-7-2	4	P0066	DC64-02240A	DOOR LID-T.C(U); GAIA-PJT_ 6-7kg,ABS,DA-W	SNA	1
11-7-3	4	P0063	DC64-02241A	DOOR LID-T.C(L); GAIA-PJT_ 6-7kg,ABS,DA-W	SNA	1
11-7-4	4		DC64-02242A	DOOR LID-COVER(U); GAIA-PJT_ 6-7kg,ABS,DA	SNA	1
11-7-5	4		DC64-02243A	DOOR LID-COVER(L); GAIA-PJT_ 6-7kg,ABS,DA	SNA	1
11-7-6	4	D0061	DC64-02539A	DOOR-GLASS; GAIA 6KG BETTER,GLASS,T4.0,W4	SNA	1
12	2	W0002	DC90-10065B	ASSY POWER CORD; UCP2,250V/7A,-,L182/ONE	SA	1
13	2	W0032	DC62-00217G	VALVE-WATER; DR S1/HOT,PP,83x45,1~8(3~25L	SC	1

1.2. ASSY TUB

Exploded View



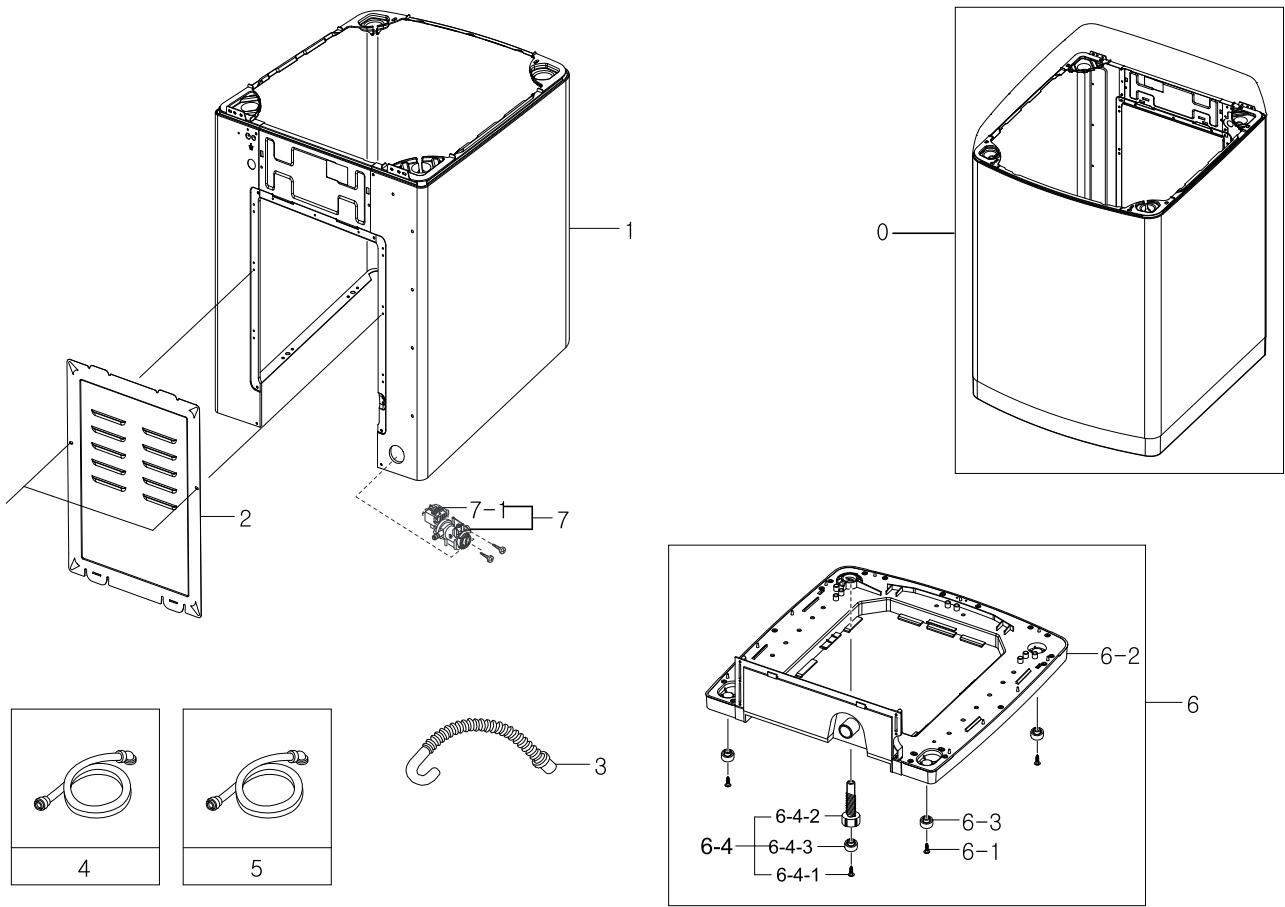
Parts List

No.	Lvl.	Loc.	Material Code	Description & Specification	SNA	Qty.
0	1	U0011	DC90-09374A	ASSY TUB; GAIA-PJT,GOOD 6 KG.,230V~50HZ,P	SNA	1
1	2	Z0062	6002-000213	SCREW-TAPPING; TH,+,1,M4,L12,ZPC(WHT),SWR	SNA	4
2	2	Z0062	6002-001305	SCREW-TAPPING; TH,+,-,2S,M5,L14.5(9),ZPC(SNA	4
3	2	Z0062	6002-001308	SCREW-TAPPING; TH,+,-,1,M5,L20,ZPC(WHT),S	SA	4
4	2	B0076	6021-001222	NUT-HEXAGON FLANGE; 1C,M24,ALDC8,CW,T14	SA	1
5	2	U0344	DC31-20014B	MOTOR DRAIN; SWD-225,220~240V,50Hz~60Hz	SA	1
6	2	U0100	DC60-00004A	BOLT-PULSATOR; SW70A1,STAINLESS-ST5430,HE	SNA	1
7	2	U0319	DC60-80017B	PIN-LINK; MSWR-SWRH	SA	1
9	2	X0013	DC61-40053B	CRADLE-SADDLE; SW-5A1,GI-SGCC,T0.8,GI	SA	1
10	2	U0342	DC62-00131A	CONDENSER-M.F; 8uF,-25 to 80,BK,450V,5%,4	SA	1

No.	Lvl.	Loc.	Material Code	Description & Specification	SNA	Qty.
11	2	U0131	DC63-00760A	COVER-TUB; POSEIDON-PJT(6kg),PP,-,-,-,-,-	SA	1
12	2	U0343	DC66-10142A	BELT-V; STATIC,M22,-,SEW-60FX,-	SA	1
13	2	U0103	DC67-00248B	CAP-PULSATOR; POSEIDON-PJT(6-7KG),PP,-,-,	SA	1
14	2	Z0040	DC91-11258E	ASSY SCREW; -, -,SHAFT+DIE-MOTO(COAT),-,M8	SA	4
15	2	U0080	DC91-11644E	ASSY SHAFT; OWM,5.25:1,-,-,-,-	SA	1
16	2	W0001	DC96-00462H	ASSY WIRE HARNESS; GAIA-PJT,BTT 6KG,PUMP,	SA	1
17	2	U0005	DC96-01381A	ASSY PULLEY MOTOR; WA90UP,GI/T0.6/ OP63.5	SA	1
17-1	3	U0139	DC67-00276A	FAN-MOTOR; WA90UP,GI-SGCC,T0.6,GI	SNA	1
17-2	2	Z0004	DC60-50153A	NUT-HEX; EGI-SECC,M8,FZY	SA	1
17-4	3	U0221	DC66-00478A	PULLEY-MOTOR; WA90UP,STEEL t3,OP 63.5,50H	SNA	1
18	2	U0141	DC97-00121M	ASSY DAMPER; POSEIDON-7KG,FRONT,RED,L536	SA	2
19	2	U0141	DC97-00121N	ASSY DAMPER; POSEIDON-7KG,REAR,NTR,L528	SA	2
20	2	U0301	DC97-00623A	ASSY WASHER PLAIN; SEW-524,SEM-NEW,-,-,-,	SA	1
21	2	Z0040	DC97-04458D	ASSY SCREW; -,5-6 KG MODEL,-,-,M8*30/FE/F	SNA	2
22	2	U0091	DC97-08139J	ASSY SEMI TUB OUTER; AUTOMATIC 5~7kg./PP(SA	1
24	2	U0310	DC97-12773A	ASSY FILTER; POSEIDON-PJT,SAVOY-BLUE,-,-	SA	1
25	2	U0151	DC97-13144C	ASSY PULSATOR; PSD 6~7 KG/GOOD,PP+ALDC/KT	SA	1
25-1	3	U0224	DC66-00472A	PULSATOR; POSEIDON-PJT(6kg),PP,-,-,-	SNA	1
25-2	3	U0117	DC61-02592A	BUSH-PULSATOR; AUTO 6~7 KG,ALDC,ID10,OD25	SNA	1
26	2	S0011	DC97-13920G	ASSY BASKET SPIN; PSD2-PJT,6 KG,720rpm,T0	SA	1
26-1	3	S0042	DC61-02151D	BASKET-WRAPPER; CT-Project/6Kg,STAINLESS-	SNA	1
26-2	3	R0009	DC66-00046B	FLANGE-SHAFT; -,ALDC12,ALDC,ID- PROCESS	SA	1
26-3	3	S0021	DC97-13076B	ASSY GUIDE W.F; POSEIDON-PJT(6KG),PP 441J	SA	1
26-3-1	4	S0048	DC61-01713A	GUIDE-W.F; POSEIDON-PJT(6kg),PP,-,-,-,-,F	SA	1
26-4	3	S0021	DC97-13076D	ASSY GUIDE W.F; POSEIDON 6 KG,GUIDE W.F(F	SA	1
26-4-1	4	S0048	DC61-01712A	GUIDE-W.F; POSEIDON-PJT(6kg),PP,-,-,-,-,M	SA	1
26-5	3	S0058	DC97-14177A	ASSY BALANCER; POSEIDON-PJT(7kg),KTL-GRY,	SA	1
27	3	U0136	DC61-02248B	DIE-MOTOR; AUTO 6~7 KG.,GI-SGCC,T1.4	SNA	1

1.3. ASSY PAINT & BASE

Exploded View



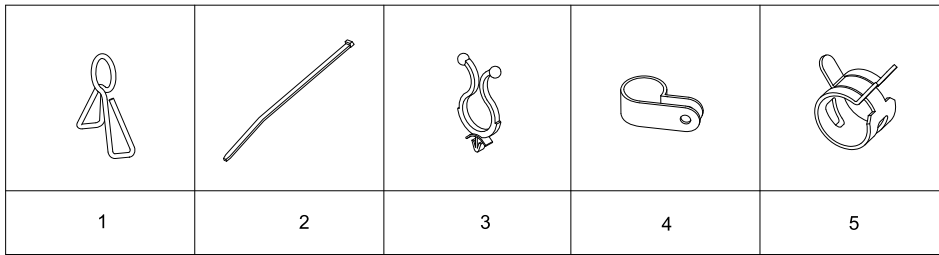
Parts List

No.	Lvl.	Loc.	Material Code	Description & Specification	SNA	Qty.
1	1	F0121	DC90-05547A	ASSY PAINT; AUTO 6~7 KG / T0.5,DA WHITE /	SNA	1
2	2	A0282	DC63-00232D	COVER-BACK; PSD-PJT,GI-SGCC,T0.30,W387,L5	SA	1
3	2	I0080	DC97-09447A	ASSY HOSE(O); ALL MODEL(NEW),PP+EVA(77:23	SA	1
4	2	I0040	DC97-16921A	ASSY HOSE WATER; HEBA,WF8804,REFLEX,L1450	SA	1
5	2	I0040	DC97-16921B	ASSY HOSE WATER; HEBA,WF8804,REFLEX,L1450	SA	1
6	1	B0012	DC97-09691F	ASSY BASE; BP ENTRY,PP-COPO,(05/4)/BLK/PU	SA	1
6-1	2	Z0062	6002-001306	SCREW-TAPPING; TH,+,1,M4,L14,ZPC(WHT),SWR	SA	3
6-2	2	B0072	DC61-01493B	BASE; BP ENTRY NO.1,PP,-,-,-,BLK,PUMP	SNA	1
6-3	2	B0073	DC61-50015B	LEG-RUBBER; SW70A1,BUTYL,BLK/HRS70	SNA	3

No.	Lvl.	Loc.	Material Code	Description & Specification	SNA	Qty.
6-4	2	B0070	DC97-12754A	ASSY LEG; POSEIDON-PJT(8KG),BLK/PP-COPO	SNA	1
6-4-1	3	Z0062	6002-001306	SCREW-TAPPING; TH,+,1,M4,L14,ZPC(WHT),SWR	SA	1
6-4-2	3	Z1129	DC61-01721A	LEG-ADJUST; POSEIDON-PJT,PP,NTR,PP-COPO	SNA	1
6-4-3	3	B0073	DC61-50015B	LEG-RUBBER; SW70A1,BUTYL,BLK/HRS70	SNA	1
7	2	J0013	DC96-01111B	ASSY PUMP DRAIN; POSEIDON 6-7KG,A TYPE,22	SA	1
7-1	3	J0025	DC31-00030A	PUMP-DRAIN; B20-6,220V,50Hz,85*77*96.7,30	SA	1

1.4. SMALL PARTS

Exploded View



Parts List

No.	Lvl.	Loc.	Material Code	Description & Specification	SNA	Qty.
1	2	S0055	DC61-70029A	SPRING-CLIP; HSWR-SWRH,ID7.5,D1.2,ZPC3 /	SA	1
2	2	A0354	DC65-10002A	CABLE TIE; DA-203	SNA	2
3	2	A0125	6046-000311	STAND OFF; ID15,L5,NTR,NYLON66,DAWH-5NB	SNA	1
4	2	U0363	DC65-20008C	CABLE CLAMP; DA-8N,ID13.2/T1.0,NYLON#66,N	SNA	1
5	3	N0010	DC61-60067B	CLAMPER HOSE; -,SK5,SNC2,ID7.5/ W6/T0.6,-	SNA	1