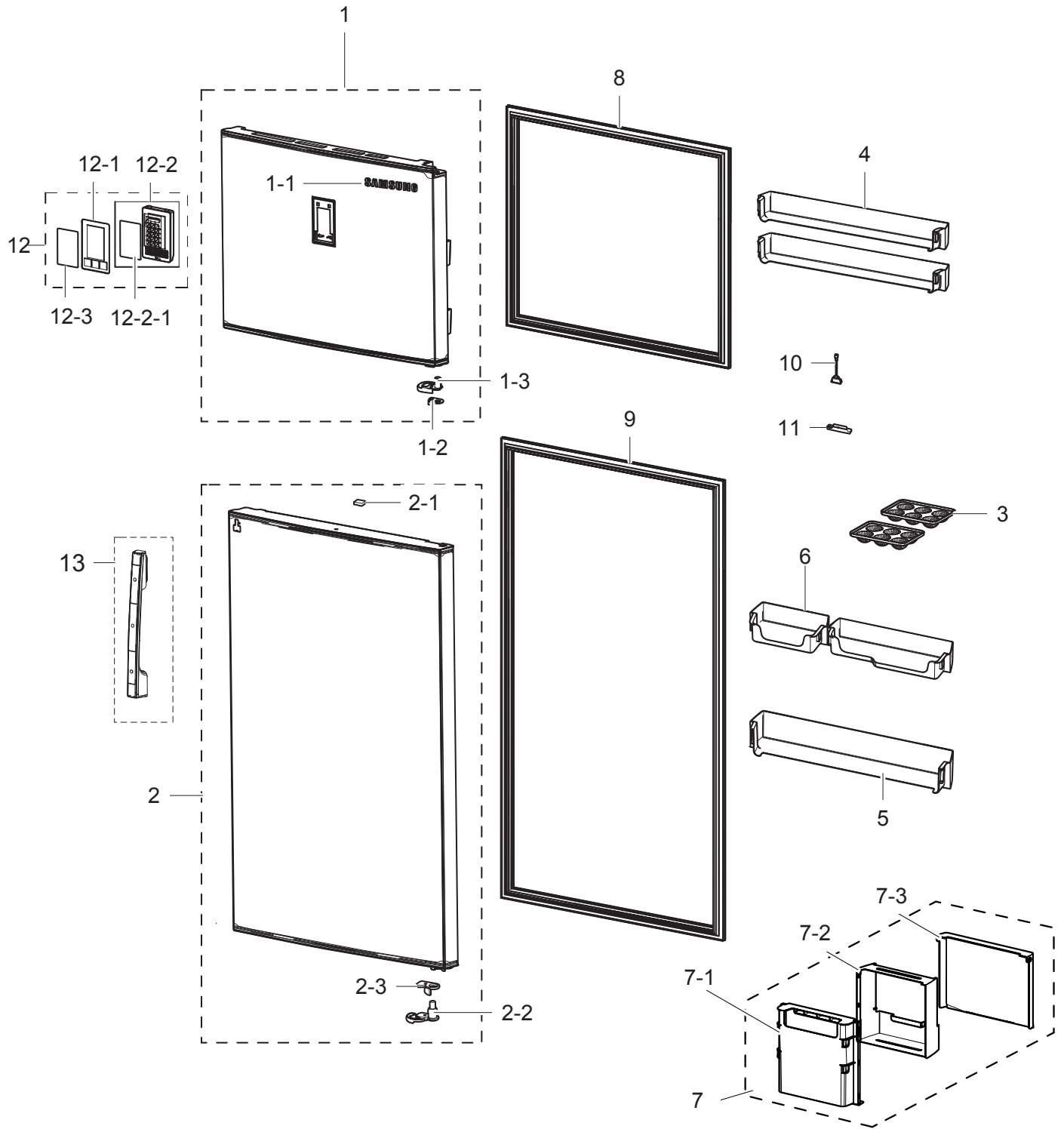


Door compartment



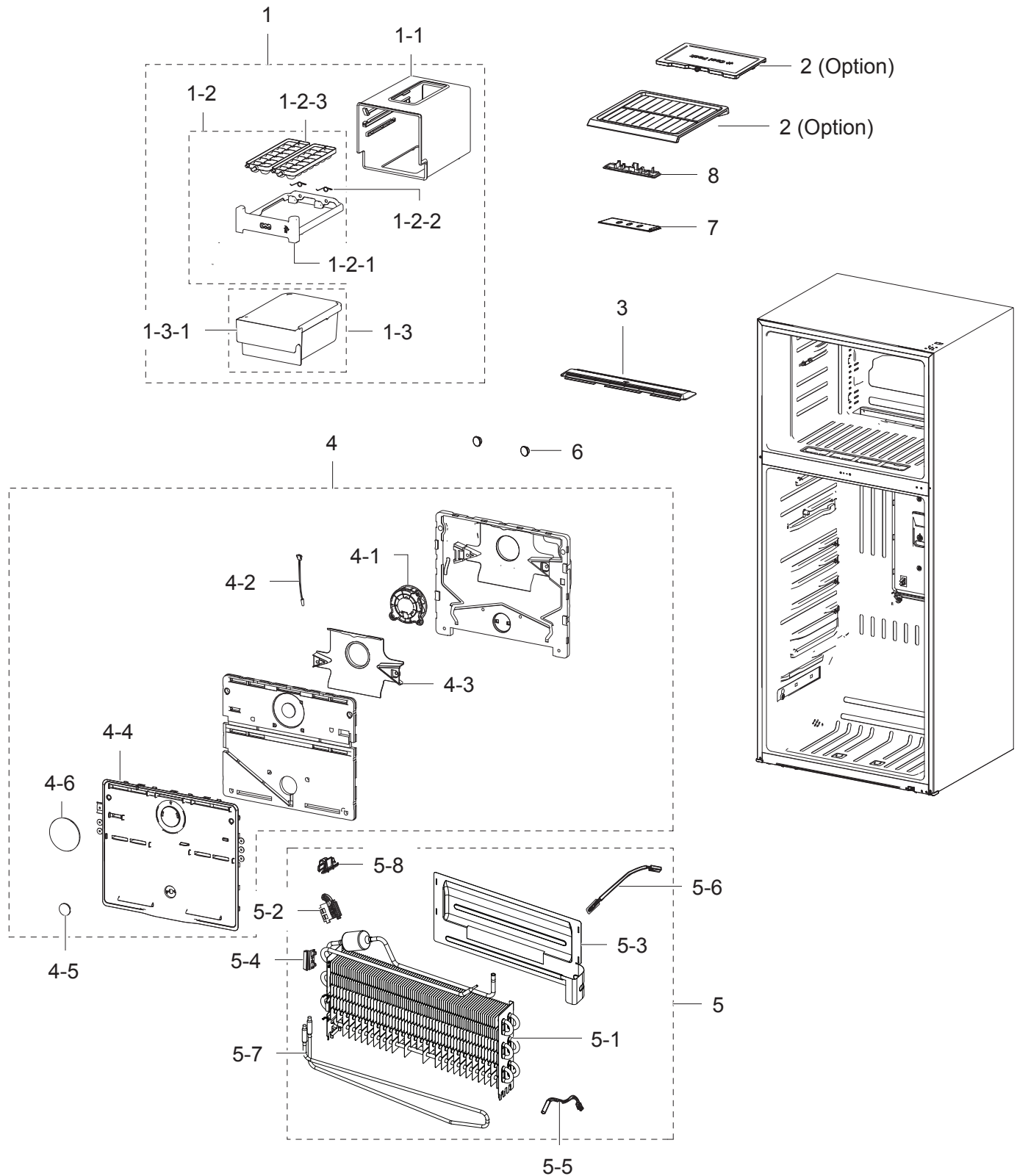
**PART LIST OF DOOR : RT46K6335SL/ES**

No.	Code No.	Lvl.	Loc.	Description	Specification	Qty	SA/SNA
1	DA91-04610F	2	M0063	ASSY DOOR FOAM-FRE	RT46,SL,BAR,DISPLAY	1	SA
1-1	DA64-04020A	3	M0196	MASCOT	ALL,Ni,T0.06,L80	1	SA
1-2	DA71-40137A	5	A0597	STOPPER-DOOR	STS304,-,T2.0	1	SA
1-3	DA63-06734B	5	-	GROMMET HINGE-FRE LOW	RT-H530G,POM,BLACK	1	SA
2	DA91-04138B	2	Z1100	ASSY DOOR FOAM-REF	RT-H460G,SL (EZ Clean	1	SA
2-1	DA61-03769B	4	A0534	MAGNET	SVETA,MAGNET,T5,W15,L18	1	SA
2-2	DA61-00589B	4	Z2014	STOPPER DOOR-REF LOW	TT-PJT,NO-DIS,POM,W	1	SA
2-3	DA61-09633A	4	-	STOPPER-REF	3050-2,PO-SPHC,T4.0,-	1	SA
3	DA63-07346A	2	A0656	TRAY EGG	3050,GPPS,-,HB,TP BLUE,165N,HI-	2	SA
4	DA63-07714A	2	A0711	GUARD-FRE	RT46/RT43,GPPS,TP BLUE	2	SA
5	DA63-07387A	2	Z1010	GUARD-BOTTLE	3050,GPPS,T3.0,TP BLUE,380	1	SA
6	DA63-07388A	2	A0211	GUARD-VARIETY	3050,GPPS,T3.0,TP BLUE,380	4	SA
8	DA97-13921L	2	-	ASSY GASKET-FRE	RT46/RT43,GRAY,W640,L505	1	SA
9	DA97-13921M	2	-	ASSY GASKET-REF	RT46,GRAY,W640,L1132	1	SA
10	DA67-02385M	4	-	CAP DOOR SWITCH	3050-PJT,PP,T1.5,HB,BJ75	1	SA
11	DA34-00043J	4	-	SWITCH REED	UL1007 AWG 22,50mm,DEM1-B503	1	SA
12	DA97-16163F	2	A0626	ASSY COVER CONTROL	RT6000K,VACATION	1	SA
12-1	DA63-07296A	3	A1196	COVER-CONTROL	3050,ABS,HB,INOX GRAY,HG-0	1	SA
12-2	DA92-00464K	3	-	ASSY MODULE	MATRIX,RT6000K,WHITE LED, 11	1	SNA
12-2-1	DA64-04463E	4	-	INLAY-FILM	RT-H530G,PET,-,320C	1	SNA
12-3	DA64-04377Y	3	-	INLAY-CONTROL	RT6000K,PC,0.38,VACATION	1	SNA
13	DA97-14431A	2	A0553	ASSY HANDLE	RT53/50/46/43,ASSY HANDLE KI	1	SNA

SAMSUNG ELECTRONICS

11569467

Freezing compartment

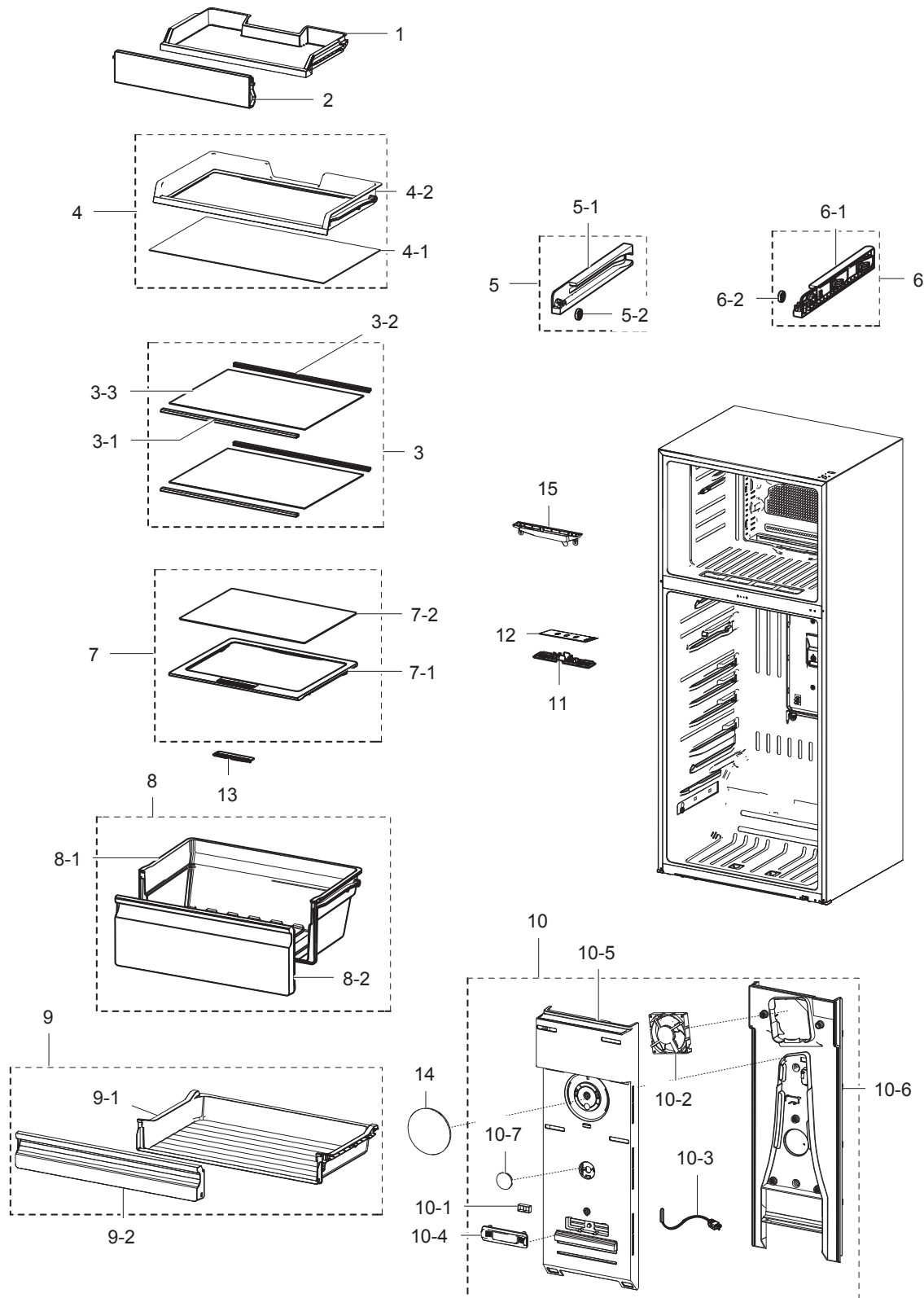


**PART LIST OF FREEZER : RT46K6335SL/ES**

No.	Code No.	Lvl.	Loc.	Description	Specification	Qty	SA/SNA
1	DA90-09629A	1	A0104	ASSY ICE MAKER	RT43/46,TWIST,PLASTIC	1	SNA
1-1	DA61-10831A	3	-	SUPPORT ICE MAKER	RT7000K,HIPS,S834S1,CO	1	SA
1-2	DA97-13501A	3	A0105	ASSY TRAY ICE	RT32/29/25/22,COOL,2 TWIST	1	SA
1-2-1	DA61-08907A	4	A0718	CASE-TRAY ICE	RT38/35/32/29,2TWIST,PP,CO	1	SA
1-2-2	DA61-20136A	4	-	SPRING ETC-ICE MAKER	SR-53EA,STS304,COIL	2	SA
1-2-3	DA63-07337A	4	A0120	TRAY ICE	3050,TMF,PP,T1.0,-,COOL WHITE,1	2	SA
1-2-4	DA64-04461A	4	A0118	KNOB-TRAY ICE	3050 TMF,ABS,2.0,COOL WHTI	1	SA
1-2-5	DA66-01003A	4	-	LEVER-TRAY ICE KNOB	3050,TMF,PA66,NTR	1	SA
1-2-6	DA66-01006A	4	M0434	LEVER-TRAY ICE	RT320,POM,NTR	1	SA
1-3	DA97-13501A	3	A0105	ASSY TRAY ICE	RT32/29/25/22,COOL,2 TWIST	1	SA
1-3-1	DA63-07331C	4	-	TRAY ICE-CUBE	RT5/6/7000K,GPPS,HB,TP BLU	1	SA
2	DA67-04097A	2	-	SHELF-FRE	3050-2,GPPS,TP BLUE,RT-H430G /	1	SA
3	DA63-07355A	2	A0756	COVER-AIR FRE	RT380/350,PP,COOL WHITE	1	SA
4	DA97-16255A	2	M0303	ASSY COVER EVAP-FRE	RT6000K 43/46/50/53,	1	SA
4-1	DA31-00287C	3	-	MOTOR BLDC FAN	ARES2120RC,1870 rpm,12V,0	1	SA
4-2	DA32-00070A	3	A1018	SENSOR TEMP	SC41198-021A,900mm,13.2kohm	1	SA
4-3	DA61-10968A	3	-	GUIDE AIR-UP	HIPS,S834S1,NATURAL	1	SNA
4-4	DA63-08318A	3	-	COVER EVAP-FRE	RT6000K 43/46/50/53,PP,HB	1	SNA
4-5	DA67-00738A	3	M0356	CAP-KNOB	MAX-PJT,PP,WHITE (SC-93437R),WE	1	SNA
4-6	DA99-04209A	3	-	ASSY ACCESSORY-TWIN COOLING	RT7000K	1	SA
5	DA96-01010C	2	A0163	ASSY EVAP-FRE	RT6000K,Fin Tube,220V	1	SA
5-1	DA59-00554B	3	-	EVAPORATOR-FRE	Fin Tube,RT6000K,AL	1	SNA
5-2	DA61-00603A	3	T0066	FIXER SENSOR	n-PJT,PP,T2.0,NATURAL,HB,BJ	1	SA
5-3	DA61-09104C	3	-	PLATE EVAP-REAR	RT35,AI,T0.3,A3003-H12	1	SNA
5-4	DA61-07411A	3	A0744	FIXER-FUSE	NW2,PP,NATURAL,BJ750	1	SA
5-5	DA32-00070A	3	A1018	SENSOR TEMP	SC41198-021A,900mm,13.2kohm	1	SA
5-6	DA47-00301F	3	A1008	THERMO FUSE-ASSY	AC250V,10A,109~110 °C,S.O	1	SA
5-7	DA47-00460F	3	A0921	HEATER METAL SHEATH	AC230V,3050 TMF, 330	1	SA
5-8	DA61-07410A	3	G0205	FIXER-HEATER FRE	NW2,PP,NATURAL,BJ750	2	SA
6	DA67-03718A	2	-	CAP SCREW	3050,PP,INOX GRAY	1	SA
7	DA41-00519B	2	G0090	ASSY LAMP LED	5ea,CEM-1,100*20,WHITE,SMA	1	SA
8	DA63-07368A	2	A0490	COVER-LAMP	3050,GPPS,T2.0,TP BLUE,G116HV	2	SA

11569467

Fridge compartment

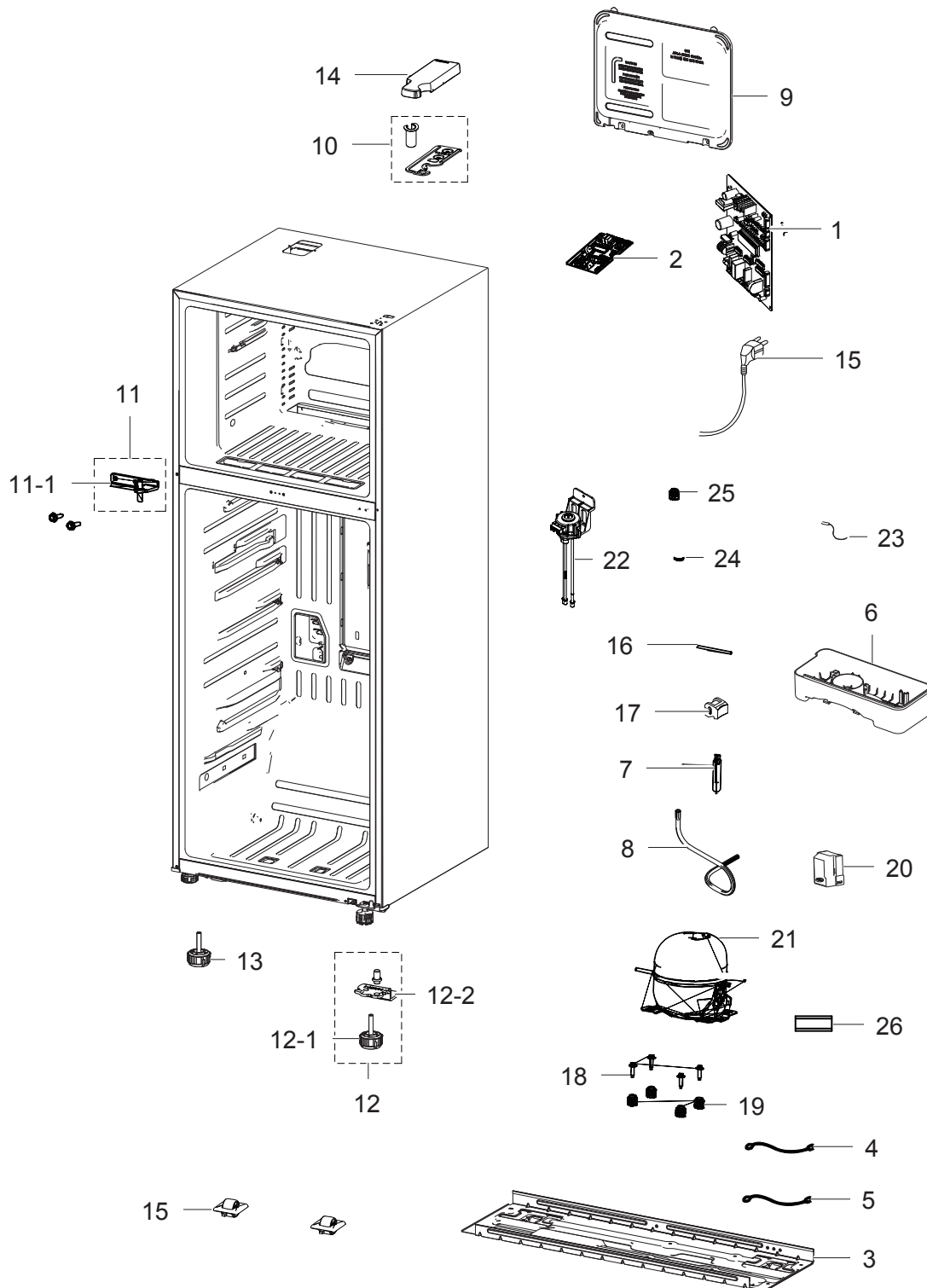


PART LIST OF FRIDGE : RT46K6335SL/ES

No.	Code No.	Lvl.	Loc.		Specification	Qty	SA/SNA
1	DA63-08327A	2	-	TRAY CHILLED ROOM	RT46,GPPS,T2.5,HB,TP B	1	SA
2	DA63-07692B	2	-	COVER TRAY-CHILLED	RT46/43,GPPS,T2.5,HB,	1	SA
3	DA97-16284A	2	-	ASSY SHELF GLASS-REF	RT6000_46/43	2	SA
3-1	DA64-04392H	3	-	TRIM SHELF-REF FRONT	RT 43/46,HIPS,S834S	2	SA
3-2	DA64-04395G	3	-	TRIM SHELF-REF REAR	RT 43/46,HIPS,S834S1	2	SA
3-3	DA64-04992A	3	-	GLASS-SHELF REF	RT6000_46/43,GLASS,T3.2,	2	SNA
4	DA97-16282A	2	-	ASSY SHELF SLIDE-REF	RT6000_46/43	1	SA
4-1	DA64-04991A	3	-	GLASS-SHELF REF SLIDE	RT6000_46/43,GLASS	1	SNA
4-2	DA67-04176A	3	-	SHELF SLIDE	RT46,HIPS,COOL WHITE	1	SNA
5	DA97-14368B	3	-	ASSY RAIL-LEFT	3050-2,COOL WHITE	2	SNA
5-1	DA61-09581A	4	-	GUIDE RAIL-L	RT H530/500/460/430G,HIPS,C	2	SNA
5-2	DA66-10104A	4	-	ROLLER-FRE	POM,-,-,D22,-,-,	2	SC
6	DA97-14369B	3	-	ASSY RAIL-RIGHT	3050-2,COOL WHITE	2	SNA
6-1	DA61-09582A	4	-	GUIDE RAIL-R	RT H530/500/460/430G,HIPS,C	2	SNA
6-2	DA66-10104A	4	-	ROLLER-FRE	POM,-,-,D22,-,-,	2	SC
7	DA97-14342C	2	A0181	ASSY COVER VEG	RT6000K,RT46/43	1	SA
7-1	DA63-07702A	3	A0210	COVER VEG	RT46/43,HIPS,-,COOL WHITE,ATEC	1	SNA
7-2	DA67-03645V	3	-	GLASS-SHELF REF LOW	GLASS	1	SNA
8	DA97-14337A	2	M0300	ASSY CASE VEG-LOW	RT46/43	1	SA
8-1	DA61-09580A	3	-	CASE VEG-LOW	RT46/43,PP,COOL WHITE,-,BJ7	1	SNA
8-2	DA63-07707A	3	-	COVER VEG-FRONT LOW	RT46/43,GPPS,-,656D,	1	SNA
10	DA97-16256A	2	Z1177	ASSY COVER EVAP-REF	RT6000K 43/46/50/53,	1	SA
10-1	DA02-00216B	3	-	CATALYST-DEODORIZER	T10,W15,L30,activate	1	SA
10-2	DA31-00287C	3	-	MOTOR BLDC FAN	ARES2120RC,1870 rpm,12V,0	1	SA
10-3	DA32-00070A	3	A1018	SENSOR TEMP	SC41198-021A,900mm,13.2kohm	1	SA
10-4	DA63-07423A	3	-	COVER-DEODORIZER	3050,PP,-,COOL WHITE,BJ	1	SNA
10-5	DA63-08319A	3	-	COVER EVAP-REF A	RT6000K 43/46/50/53,PP,	1	SNA
10-6	DA63-08324A	3	-	COVER EVAP-REF B	RT6000K 43/46/50/53,PP,	1	SNA
10-7	DA67-00738A	3	M0356	CAP-KNOB	MAX-PJT,PP,WHITE (SC-93437R),WE	1	SNA
11	DA63-07368A	2	A0490	COVER-LAMP	3050,GPPS,T2.0,TP BLUE,G116HV	2	SA
12	DA41-00519B	2	G0090	ASSY LAMP LED	5ea,CEM-1,100*20,WHITE,SMA	1	SA
13	DA63-07341B	3	-	COVER SHEET	3050-PJT,HIPS,COOL WHITE,S83	1	SA
14	DA99-04209A	3	-	ASSY ACCESSORY-TWIN COOLING	RT7000K	1	SA
15	DA61-09620B	4	-	PLATE DRAIN	RT43,AI,TO.3,A3003-H12	1	SNA

11569467

**Cabinet compartment**



PART LIST OF CABINET : RT46K6335SL/ES

No.	Code No.	Lvl.	Loc.	Description	Specification	Qty	SA/SNA
1	DA92-00756C	1	A0952	ASSY PCB MAIN	TWIN COOLING,RT6000K,160*1	1	SA
2	DA92-00459E	1	-	ASSY PCB INVERTER	INVERTER,3050,148*98.5	1	SA
3	DA97-14357A	2	A0526	ASSY CHASSIS COMP	3050- II (RT-H460G),CASTE	1	SA
4	DA39-20389A	2	A0562	ASSY WIRE HARNESS-EARTH	ALL,FREE VOLT,UL	2	SA
5	DA39-20389A	2	A0562	ASSY WIRE HARNESS-EARTH	ALL,FREE VOLT,UL	2	SA
6	DA97-16550A	2	A0529	ASSY TRAY DRAIN WATER	RT6000K	1	SA
7	DA62-04309A	2	A0669	DRYER	C1220T-H,137,SINGLE MOUTH,15.8,9g	1	SA
8	DA62-04154A	2	-	PIPE CONNECT-SUCTION	3050-PJT,Cu,OD6.35,	1	SA
9	DA97-13545F	2	-	ASSY COVER PCB-PANEL	RT29/32/35/38,TWIN	1	SA
10	DA97-13610A	2	A0705	ASSY HINGE UPP	3050PJ,T2.0,380/350	1	SA
11	DA97-14404A	2	-	ASSY HINGE-MIDDLE	RT-H530G,530/500/460/4	1	SA
11-1	DA61-09576A	3	-	HINGE-MIDDLE	RT53,50,PO-SPHC,T4.5,ZPC	1	SNA
12	DA97-13857E	2	M0344	ASSY HINGE-LOW	RT6000K,RT43/46/50/53	1	SA
12-1	DA61-10521A	3	A0577	FOOT-FRONT	RT6000H,PP,BLACK,PP SCRAP	1	SA
12-2	DA61-11132A	3	A0247	HINGE-LOW	PO-SPHC,T4.0	1	SNA
13	DA61-10521A	3	A0577	FOOT-FRONT	RT6000H,PP,BLACK,PP SCRAP	1	SA
14	DA63-07711A	2	A0237	COVER HINGE-UP	RT53,50,46,43,PP,HB,BJ750	1	SA
15	3903-001011	2	A0273	CBF-POWER CORD	AT,EU,EU3F,3C,250V,16A,BI	1	SA
16	DA73-00199B	2	Z1004	PIPE-PIPE CONNECT	-,C1220T,-,OD6.35,L95,	1	SA
17	DA97-16549A	3	-	ASSY PIPE IMMERSING	RT6000K,-	1	SA
18	6011-001546	2	A0564	BOLT-HEX	M5(P0.8),L16,ZPC(WHT),SWRCH18A,	4	SA
19	DA63-02617A	3	Z1112	GROMMET COMP	USP05,EPDM,OD27.0,BLACK	4	SA
20	DA63-06122A	3	Z1032	COVER RELAY	MSV,MPPO,T2.0,5V-A,BLACK,M-H	1	SA
21	NC4MVA1ALP/TT3	2	-	CMP,COMP,REFRIGERATOR,R-600A	0	1	-
22	DA62-04678A	2	-	VALVE STEP	DC12V,MODULE,2WAY,STRAIGHT/ST	1	SA
23	DA32-00070A	3	A1018	SENSOR TEMP	SC41198-021A,900mm,13.2kohm	1	SA
24	DA63-08036A	3	-	GROMMET-LOW	3050-1,2,NBR,BLACK	2	SA
25	DA63-02325A	3	-	GROMMET-STEP-VALVE-UP	HNR2213/15/17/20,N	1	SA
26	DA72-60040X	2	-	SEAL-CUTT RUBBER	RT5,6,7000K,RUBBER,T3,W	2	SNA

SAMSUNG ELECTRONICS

11569467