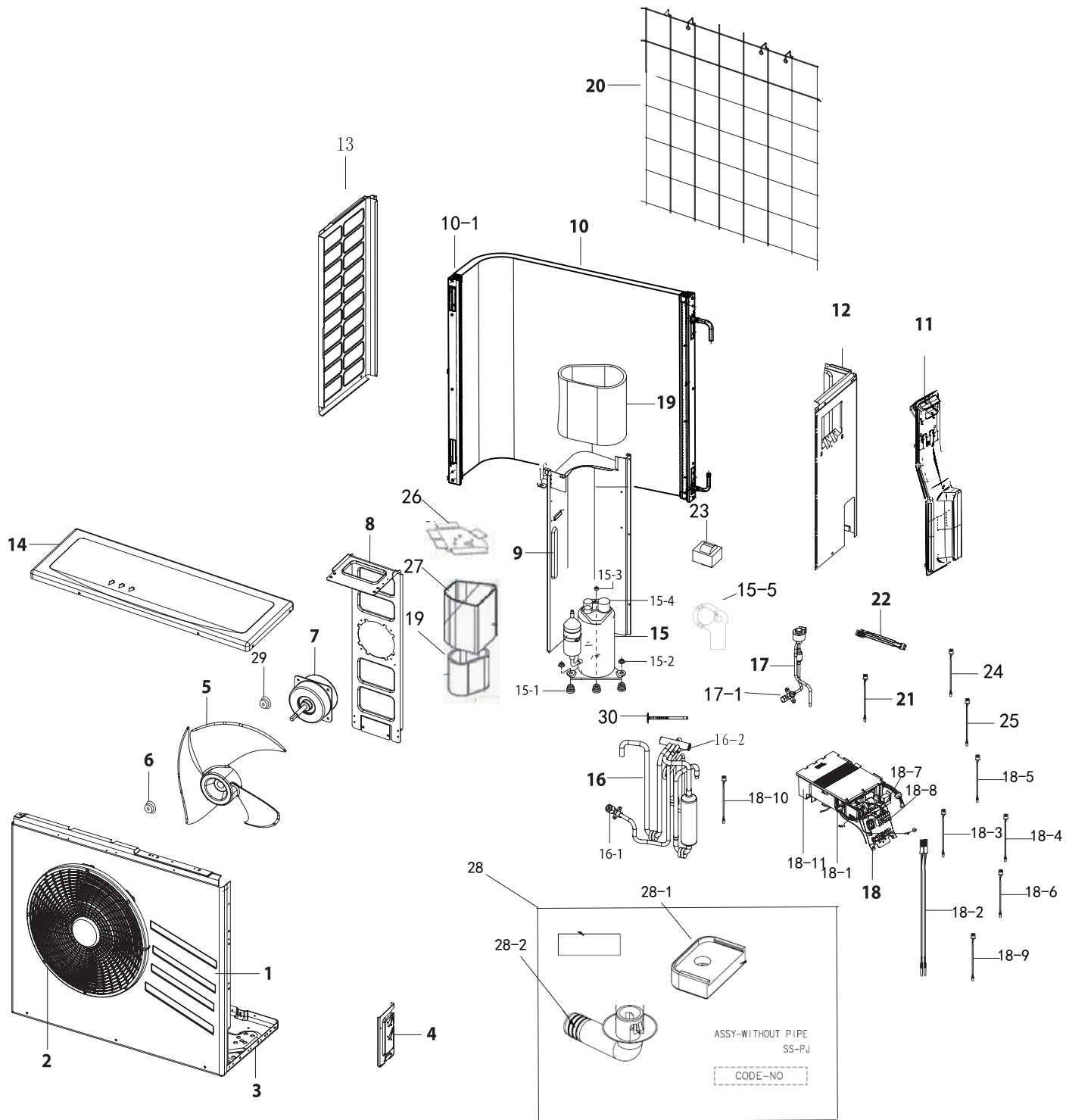


OUTDOOR UNIT

AR18JSFNCWKXEU



Parts List

AR18JSFNCWKXEU

No.	Code No.	Description	Spec	QTY	SA/SNA
1	DB90-07180X	ASSY CABI FRONT	AR18HSFSAWKXEU,GY0180,SSEC	1	SNA
2	DB63-03657A	GUARD FAN	PP,EARTH BROWN	1	SA
3	DB90-07169U	ASSY BASE OUT	AR18HSFSAWKXEU,SSEC	1	SA
4	DB61-05432B	BRACKET-VALVE PAINTING	P/Q,GI-SGCC,1.5,102,218,GY0180,RAC	1	SA
5	DB67-01408A	FAN PROPELLER	SAN+GF20%	1	SA
6	6021-001142	NUT-HEXAGON FLANGE	M5,ZPC(WHT),SWRCH10A,SERRATION	1	SA
7	DB90-08338A	ASSY BRACKET MOTOR	AC052HCADKH/EU,SSEC	1	SA
8	DB61-05885A	BRACKET MOTOR	F-XS-04,GI-SGCC,T1.2,-	1	SA
9	DB94-03705B	ASSY PARTITION	Q Chassis,SSEC	1	SNA
10	DB96-19010B	ASSY COND BENDING	AR18HSFSAWKXEU,Q FMC	1	SA
10-1	DB61-05867A	HOLDER COND-LOW	F-XS-04,PP,EARTH BROWN,-,TB52U,FMC	4	SNA
11	DB90-07459E	ASSY COVER-VALVE	AR18FSFTJWQXEU,SSEC,ASSY	1	SA
12	DB90-07173N	ASSY CABINET-SIDE RH	RAC,SSEC	1	SA
13	DB90-07172D	ASSY CABI LF	AR18FCSNAWK/AF,Q FMC,GY0180	1	SA
14	DB90-07183C	ASSY CABINET-UP	RAC,GY0180(Earth brown)	1	SA
15	UG4T150LNBEQSS	RCP,44 TWIN A INV,L,R410A	-	1	-
15-1	DB63-02296A	GROMMET ISOLATOR	44F,NR,L32.5,ID11.5,OD34.0,BLACK	3	SNA
15-2	DB60-30028A	NUT-FLANGE	HWH,M8,ZPC(WHT),SWRCH18A	3	SA
15-3	6021-001142	NUT-HEXAGON FLANGE	M5,ZPC(WHT),SWRCH10A,SERRATION	1	SA
15-4	DB63-02310A	COVER TERMINAL	SABIC N1250,2.5,-,BLACK,N1250,no OLP	1	SA
15-5	DB63-00817B	GASKET	A/C model,SIR,T0.8,26.0,L80,A/C model use	1	SA
16	DB96-19492A	ASSY TUBE 4WAY	AR18HSFSAWKXEU,SSEC	1	SA
16-1	DB62-02285A	VALVE SERVICE-SPINDLE	,,1/2"	1	SA
16-2	DB96-06998F	ASSY-SOLENOID COIL	WW3,SSEC	1	SA
17	DB96-19493A	ASSY TUBE EEV	AR18HSFSAWKXEU,SSEC	1	SA
17-1	DB62-02283A	VALVE SERVICE-SPINDLE	,,1/4",R410A, FLARE	1	SNA
18	DB93-14201D	ASSY CONTROL OUT	,-,AR18HSSDAWKXEU,SSEC	1	SNA
18-1	DB92-02866A	ASSY PCB MAIN	OUTDOOR,A3050,197*142,PF#2	1	SA
18-2	DB93-14275A	ASSY CONNECTOR WIRE-POWER	2,1015,22,BRN,YH396-03VR/BLU	1	SA
18-3	DB93-14276A	ASSY CONNECTOR WIRE-DC SIGNAL	3,1007,22,BLK,SMH250-03L/RED	1	SA
18-4	DB93-14277A	ASSY CONNECTOR WIRE-DC SIGNAL	3,1007,22,BLK,SMH250-03L/BLU	1	SA
18-5	DB93-09495J	ASSY CONNECTOR WIRE	2,1015,14,BRN,175022-1,175022-1	1	SA
18-6	DB93-12121A	ASSY CONNECTOR WIRE-EARTH WIRE	1,1015,18,YEL/GRN,173724-1	1	SA
18-7	DB65-00274A	TERMINAL BLOCK	TERMINAL BLOCK,2-TAB 2-SCREW,B Type	1	SA
18-8	DB65-00298B	TERMINAL BLOCK	11R RAC-INVERTER,P.B.T + G30	1	SA
18-9	DB92-02862A	ASSY MODULE	STD #4 SMPS,A3050,	1	SA
18-10	DB93-14285A	ASSY CONNECTOR WIRE-COMM	2,1007,22,RED,YH396-02AVR/RED	1	SA
18-11	DB90-07833B	ASSY CASE CONTROL	AR09HSSDAWKXEU,A3050,SSEC	1	SA
19	DB63-02344A	FELT-COMP SIDE	-,FELT+PVC,T10+T1.6,265,615	1	SA
20	DB63-03402A	GUARD-COND BAR	VIVACE,Q195,EARTH BROWN(GY0180)	1	SA
21	DB93-09493C	ASSY CONNECTOR WIRE	2,1015,16,WHT,DBT081-02P/WHT	1	SA
22	DB93-09497E	ASSY CONNECTOR WIRE	3,1015,16,RED,MG625040/WHT	1	SA
23	DB27-00042B	COIL CHOKE-REACTOR	forte,5mH,5%,15A	1	SC
24	DB93-11244B	ASSY CONNECTOR WIRE	3,1331,14,BLU,MG615042/WHT	1	SA
25	DB95-05164B	ASSY THERMISTOR OUT	103AT,6P,650/610/1000,UL1007	1	SA
26	DB63-03458A	FELT-COMP TOP OUT	RAC,FELT+EVAR,T5+T1.5	1	SNA
27	DB63-02343A	FELT-COMP SIDE OUT	-,FELT+PVC,T5+T1.6,370,800	1	SA
28	DB97-02066C	ASSY ACCESSORY	HP,NO,18000,NO,-,N	1	SA
28-1	DB73-20134A	RUBBER-LEG	V2-MD,NR,55	4	SA
28-2	DB67-20011A	DRAIN-PLUG OUT	ASH-1814ER,PP,WHITE	1	SA
29	DB60-00437A	FASTENER-NUT FLANGE	SWRCH10A	1	SA
30	DB81-00635A	SPRING ETC-SENSOR	DVM-SYSTEM,STS304	2	SA