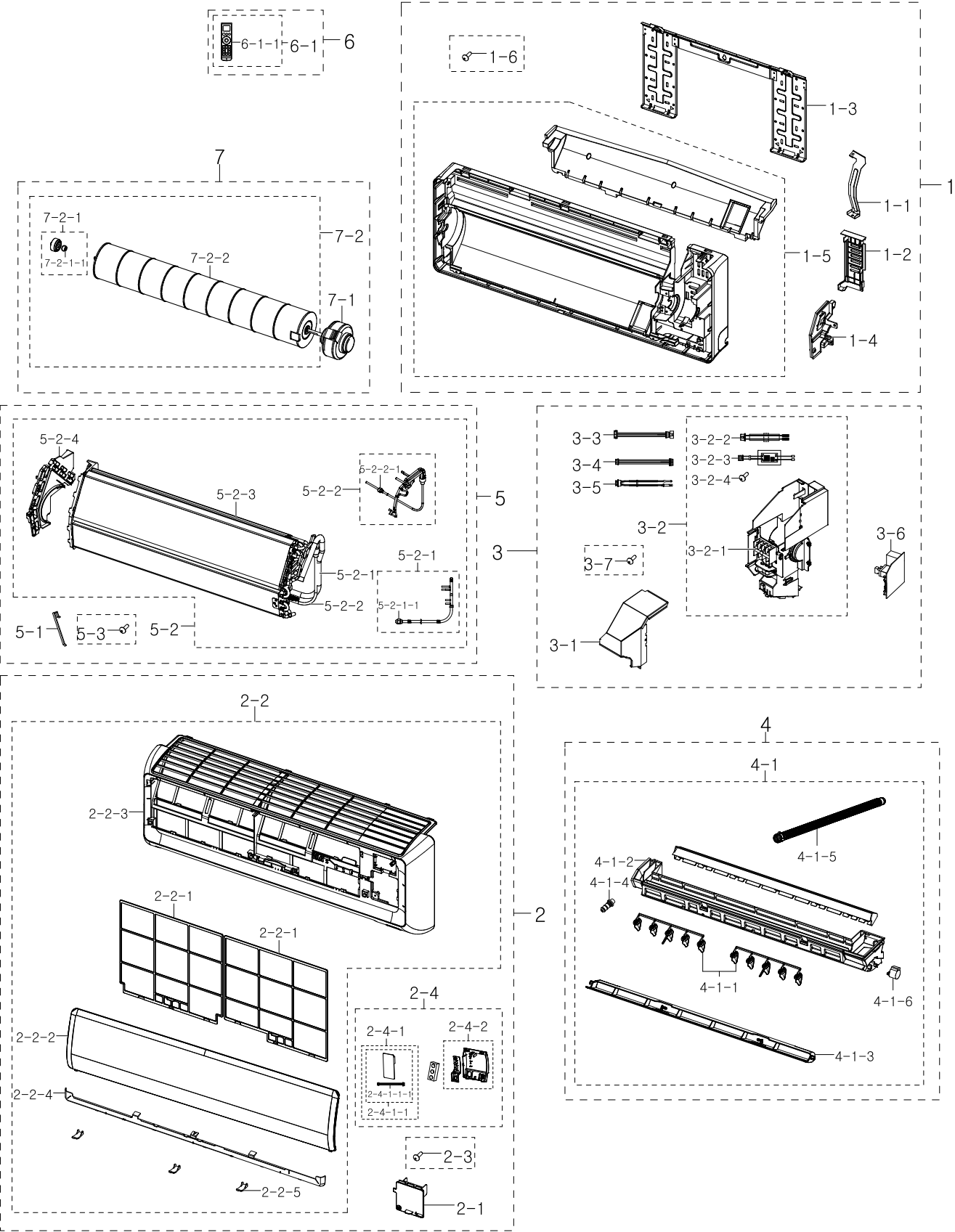


1. AQV18PSBN

Exploded View



Parts List

No.	Lvl.	Loc.	Material Code	Description & Specification	SNA	Qty.
1	1	A0152	DB90-06163A	ASSY CABI IN PARTS; INV,SSEC	SNA	1
1-1	2	B0404	DB61-01977A	BRACKET-EVAP; AQT24W6WE,SGCC-M,0.8,-,-,-,	SA	1
1-2	2	H0286	DB61-01981C	HOLDER-PIPE; FORTE,HIPS,2.5,88.5,210.3,DA	SA	1
1-3	2	A1839	DB90-02738A	ASSY-PLATE HANGER; WW2,SSEC	SA	1
1-4	2		DB90-04857A	ASSY-SUPPORT EVAP; VIVALDI,SSEC,ASSY	SA	1
1-5	2	RO741	DB94-00615F	ASSY BACK BODY; E,Y,GRAY,R22,LF & RH,BORACA	SA	1
1-6	2	A1987	DB97-02418A	ASSY-SCREW TAPPING; SS-P/J,TH,M4*L14	SNA	7
2	1	A1698	DB92-02297A	ASSY PANEL FRONT PARTS; INV,INV,SSEC	SNA	1
2-1	2	E5042	DB97-11889A	ASSY COVER TERMINAL; VIVALDI 1,-,-,SSEC	SA	1
2-2	2	A1698	DB92-02279K	ASSY PANEL FRONT; WHITE,Maldives3,ASSY	SA	1
2-2-1	3	F0136	DB63-02758E	FILTER-PRE; MALDIVES 3,PP,2.0,310,423.1,F	SA	2
2-2-2	3	G0034	DB64-02566C	GRILLE-AIR INLET; Maldives3,HIPS,DA WHITE	SA	1
2-2-3	3	P0021	DB64-02568A	PANEL FRONT; MALDIVES-3,HIPS,DA WHITE	SA	1
2-2-4	3		DB64-02567F	DECORATION-PANEL; MALDIVES3,HIPS,GY0096,P	SNA	1
2-2-5	3	C0135	DB67-00499D	CAP-SCREW; AR18KC5JDMC/NA,HIPS,T2.0,S834S	SA	3
2-3	2	A1987	DB97-02418A	ASSY-SCREW TAPPING; SS-P/J,TH,M4*L14	SNA	4
2-4	2	A0755	DB90-06778C	ASSY COVER DISPLAY; AR18FSFPDGMNEU,ASSY	SA	1
2-4-1	3	A0694	DB93-10861A	ASSY PCB SUB-DISPLAY; DISPLAY,MALDIVES-P/	SA	1
2-4-1-1	4		DB93-12125A	ASSY PCB MANUAL; MALDIVE-PJT,SSEC	SNA	1
2-4-1-1-1	5	C1070	DB93-10943B	ASSY CONNECTOR WIRE; 9,1007,26,RED,SMH200	SA	1
2-4-2	3	A0755	DB90-06135D	ASSY COVER DISPLAY; AR18FSFPDGMNEU,ASSY	SA	1
3	1	A0696	DB93-11322A	ASSY CONTROL IN PARTS; INV,INV,SSEC	SNA	1
3-1	2		DB90-06284A	ASSY COVER CONTROL IN; BORACAY3,SSEC	SA	1
3-2	2	A0696	DB93-10958A	ASSY CONTROL IN; HP,INV,9K/12K/18K/24K,JU	SNA	1
3-2-1	4	A2816	DB65-00176C	TERMINAL BLOCK; MINI-DVM,PBT,MAX 4MM^2,36	SA	1
3-2-2	4	C1070	DB93-10942A	ASSY CONNECTOR WIRE; 2,1015,18,BRN,YH396-	SA	1
3-2-3	4	A1592	DB95-04339D	ASSY-NOISE ABSORBER; MALDIVE,INV 24K	SNA	1
3-2-4	4	A1987	DB97-02418A	ASSY-SCREW TAPPING; SS-P/J,TH,M4*L14	SNA	2
3-3	3	C1070	DB93-10918H	ASSY CONNECTOR WIRE; 9,1007,26,WHT,SMH200	SA	1

