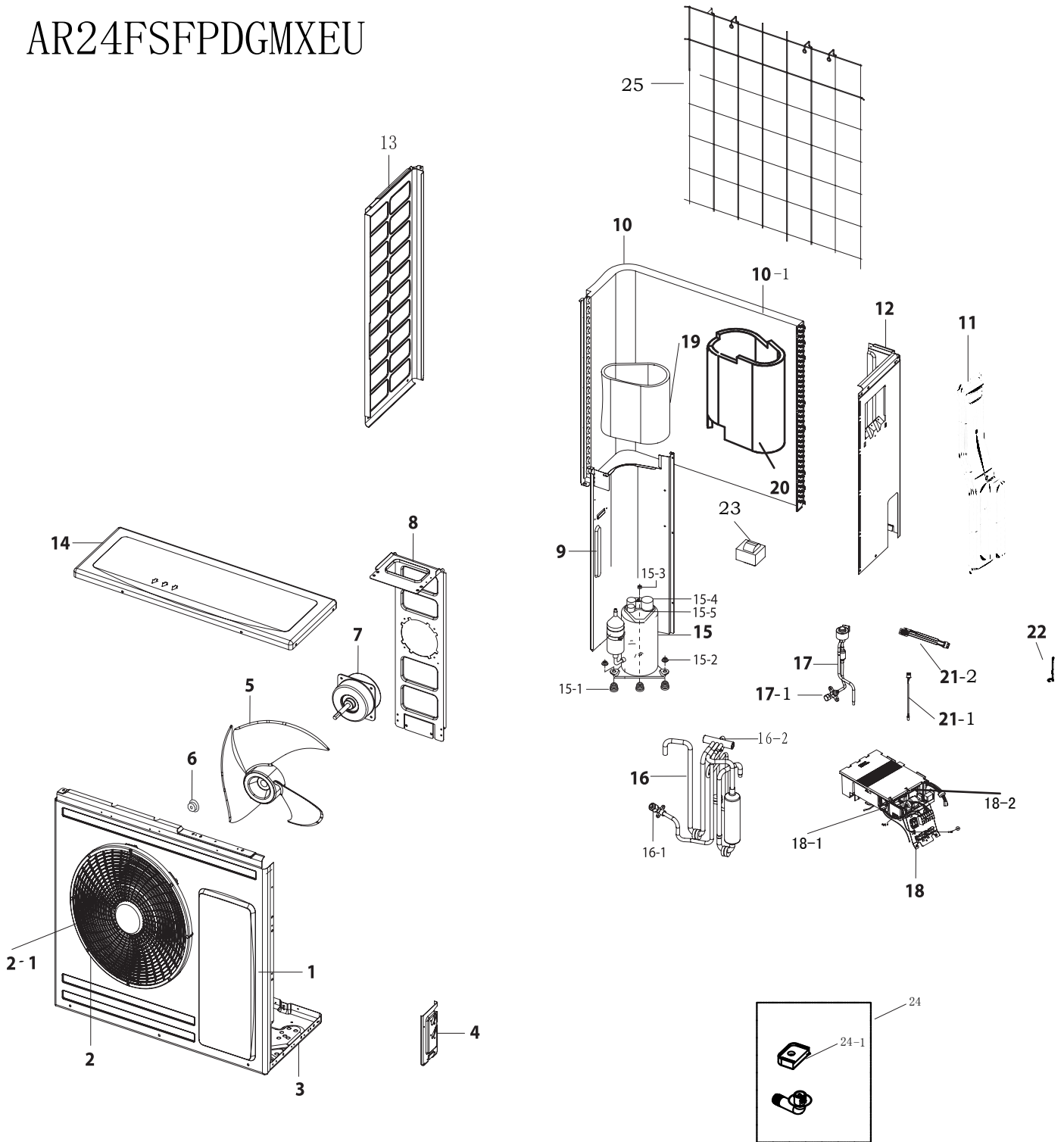


5-2 OUTDOOR UNIT

AR24FSFPDGMXEU



No.	Parts Code	Parts Description	Spec.	Quantity	SA/SNA
				AR24FSFPDGM XEU	
1	DB90-07186N	ASSY CABI FRONT-TOTAL	AQV24EWDX,SSEC	1	SA
2	DB90-07157A	ASSY-GUARD FAN	XSA HI-EER,SSEC	1	SA
2-1	DB63-00831C	GUARD FAN-P	PP,EARTH BROWN	1	SA
3	DB90-07134H	ASSY BASE OUT-TOTAL	AQV24PSBX,FAC,SSEC	1	SA
4	DB61-01593C	BRACKET-VALVE	P/Q,SGCC-M,T1.5,102,218,WHITE,RAC	1	SA
5	DB67-00861A	FAN-PROPELLER	WW3,AS+G/F20%,OD460,3,T3.5,SSEC,	1	SA
6	DB60-30020A	NUT-HEXAGON FLANGE	M6,Zn-Ni,MSWR3,CLOCKWISE	1	SNA
7	DB31-00611C	MOTOR FAN	FMFC531SSHA,130W,950RPM,DC310V,MAX IC 85°C,CLASS E	1	SA
8	DB90-04194D	ASSY BRACKET MOTOR	KFRD-72W/MSD,FAC,SSEC	1	SA
9	DB94-03086A	ASSY PARTITION	maldive,SSEC	1	SA
10	DB96-18255A	ASSY COND UNIT	P COND,2R,FP1.5,corrugate-fin	1	SA
10-1	DB96-18256A	ASSY COND OUT	P COND,2R,FP1.5,corrugate-fin	1	SNA
11	DB90-07187A	ASSY-COVER VALVE	P Chassis,SSEC	1	SA
12	DB90-07225M	ASSY-CABI SIDE RH	P-PJT	1	SNA
13	DB90-07136C	ASSY CABINET-SIDE LF PAINT	AQ25VBFXHAC,ASSY SECC-P T0.8	1	SA
14	DB90-07183J	ASSY CABINET-UP	MH080FXEA4A,SSEC	1	SA
15	UG4T200FUAE4S	RCP,44,F,R410A		1	SA
15-1	DB63-02296A	GROMMET ISOLATOR	44F,NR,L32.5,ID11.5,OD26.0,BLACK,BLACK	3	SNA
15-2	DB60-30028A	NUT-FLANGE	HWH,M8,ZPC(WHT),SWRCH18A,P1.25/Washe r Type(WP)	3	SNA
15-3	6021-001142	NUT-HEXAGON FLANGE	-,M5,ZPC(YEL),SWCH10A,SERRATION	1	SNA
15-4	DB63-02310A	COVER TERMINAL	SABIC N1250,2.5,BLACK,no OLP	1	SA
15-5	DB63-00817B	GASKET	A/C model,SIR,T0.8,26.0,L80,A/C model use	1	SA
16	DB96-18284A	ASSY TUBE-4WAY	13R P chassis,SSEC	1	SNA
16-1	DB62-09658A	VALVE SERVICE-SPINDLE	.,5/8",R410A, FLARE	1	SA
16-2	DB62-11179A	VALVE-4WAY	.,2HP,COMMON	1	SNA
17	DB96-18283A	ASSY-TUBE EEV	13 Pchassis,SSEC	1	SNA
17-1	DB62-09652A	VALVE SERVICE-SPINDLE	.,1/4",R410A , FLARE	1	SA
18	DB93-10961M	ASSY CONTROL OUT	HP,24K,13 europe 24K	1	SNA
18-1	DB93-12849B	ASSY CONNECTOR WIRE- COMP	AQV09PSBX,AWG#14	1	SA
18-2	DB93-10939H	ASSY PCB MAIN-OUT	PF3,RAC,Y,SMPS,5,12V,15V,3.3V	1	SA
19	DB63-02868A	FELT-COMP SIDE	P Chassis,FELT,T5,280,575,SSEC	1	SA
20	DB63-02870A	FELT-COMP SIDE OUT	P Chassis,FELT+PVC,6.6,380,780,GRAY,SSEC	1	SA
21-1	DB95-04635C	ASSY THEMISTOR	RAC,SSEC	1	SA
21-2	DB95-04636D	ASSY THEMISTOR	CAC,SSEC	1	SA
22	DB81-00635A	SPRING ETC-SENSOR	DVM-	1	SNA
23	DB27-00043C	COIL CHOKE-REACTOR	forte,5mH,5%,20A	1	SA
24	DB97-02066C	ASSY ACCESSORY	HP,NO,18000,NO,-,N,SH18AW6X,SSEC	1	SA
24-1	DB73-20134A	RUBBER-LEG	NBR,BLACK	4	SA
25	DB63-03321A	GUARD COND-BAR	UP080EAV,HSWR-SWRH	1	SA