

5. EXPLODED VIEWS AND PARTS LIST



[MATERIAL CODE STANDARDS]

Material codes and names and their respective naming rules are managed in accordance with the prescribed standards. Please refer to these standards when requesting a material.

1. Material Code Type

● : Number

■ : Letter (Alphabet)

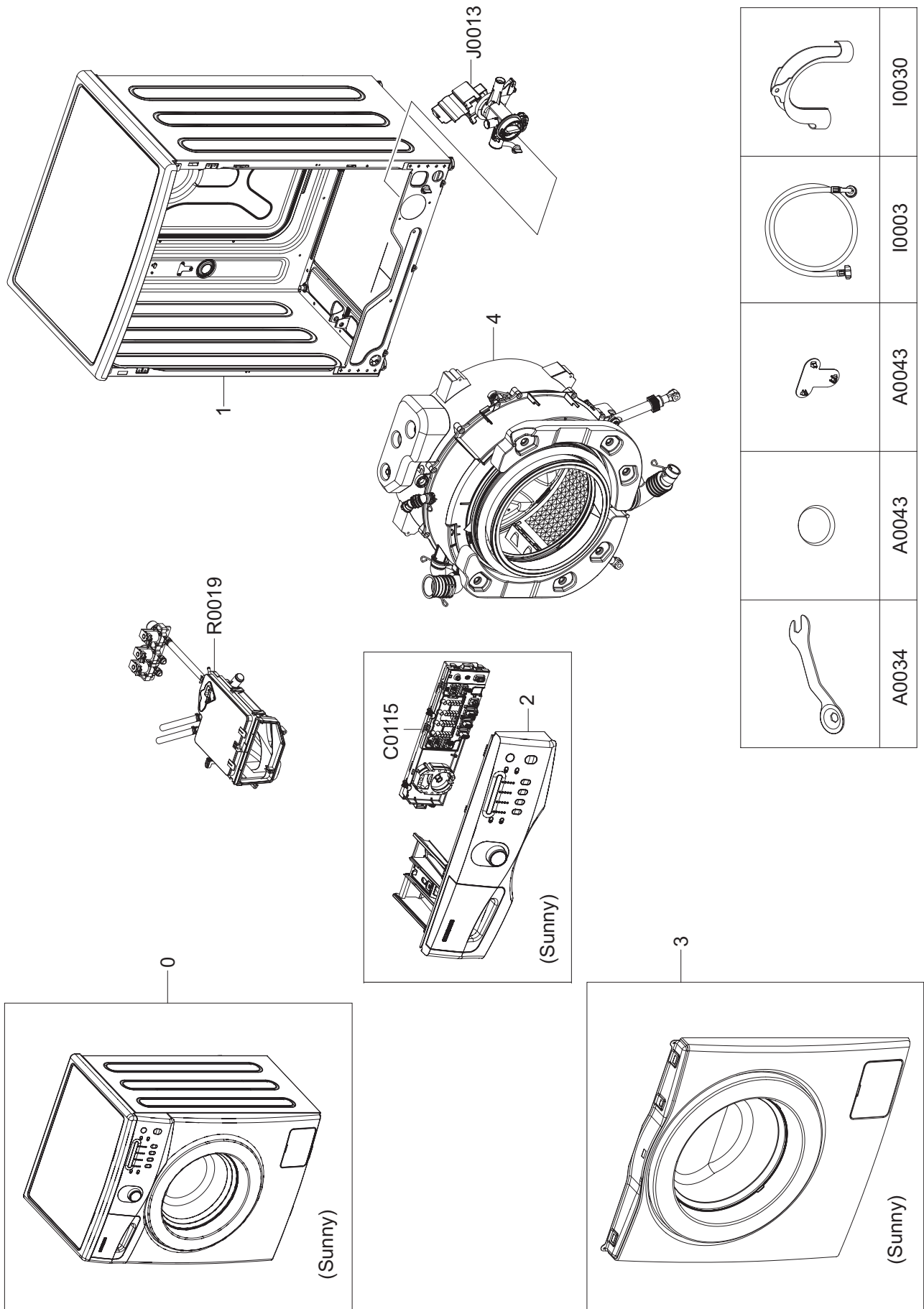
Type 1	 ex) 0204-000418 FREON	Enterprise-wide parts Type 1 materials can be used for all Samsung Electronics products. (Most electrical parts belong to this type.)
Type 2	 ex) DC96-01390A ASSY-CONTROL	Division-wide parts (DC**-Washing machine) Type 2 materials can be used for specific products. (Most instruments and tools belong to this type.)

2. Ass'y Materials

All ass'y material codes start with DC9*.

An ass'y material is created by combining more than two materials. If a requested material cannot be provided, you can request an ass'y material that contains that material.

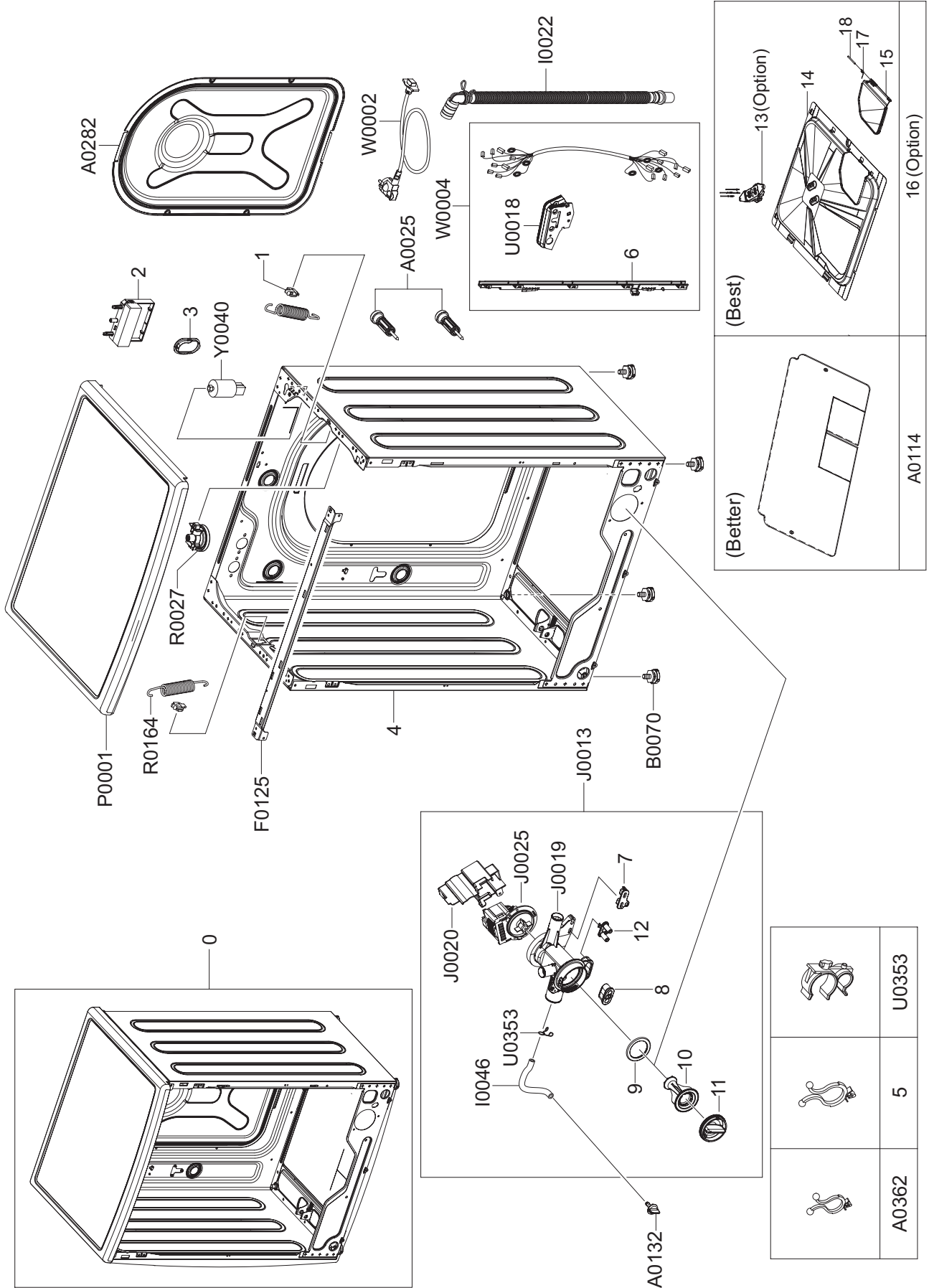
5-1. MAIN



MODEL CODE: WF9702N3W/XECService Bom (**SA**: SERVICE AVAILABLE, **SNA**: SERVICE NOT AVAILABLE)

SVC Code	Code No.	Description	Specification	QTY	Un	SA/SNA
A0034	DC60-40146A	BOLT-SPANER	-,CR,-,T2.5,OD36,-,-,-,-	1	PC	SA
A0043	DC67-00208A	CAP-FIXER	J1453GW/XEU,PP,1.5mm,-,-,NTR,-	1	PC	SA
A0043	DC67-00251A	CAP-FIXER	SEW-6HR115B,PP,-,-,-,-,META2-P	4	PC	SA
C0115	DC92-00289A	ASSY PCB PART-MAIN	SNCI-09J12NB-00,WF970	1	PC	SA
I0003	DC62-10289C	HOSE-WATER(C)	RUSSIA,PVC+NYLON,ID10.3,-,	1	PC	SA
I0030	DC62-10278A	HOSE-HANGER	-,PP,-,-,-,-,NTR,JS20 RESIN	1	PC	SA
J0019	DC61-02173A	CASE-PUMP	AEGIS,PP,T3.0,W167,L108,WHT,-	1	PC	SA
R0019	DC97-15204B	ASSY HOUSING DRAWER	AEGIS,WF8602NHW/6.0k	1	PC	SA
5.1-0	WF9702N3W/XEC	SET	-	1	-	-
5.1-1	-	FRAME & COVER PARTS	Refer to 5.2 Frame & Cover Parts	1	-	-
5.1-2	-	PANEL-CONTROL & DRAWER	Refer to 5.5 Control & Drawer	1	-	-
5.1-3	-	ASSY-FRAME FRONT	Refer to 5.4 Ass'y Frame Front	1	-	-
5.1-4	DC97-15227A	ASSY TUB&DRUM	WF8604,AEGIS-PJT/6KG/1400RI	1	PC	SNA

5-2. FRAME & COVER PARTS

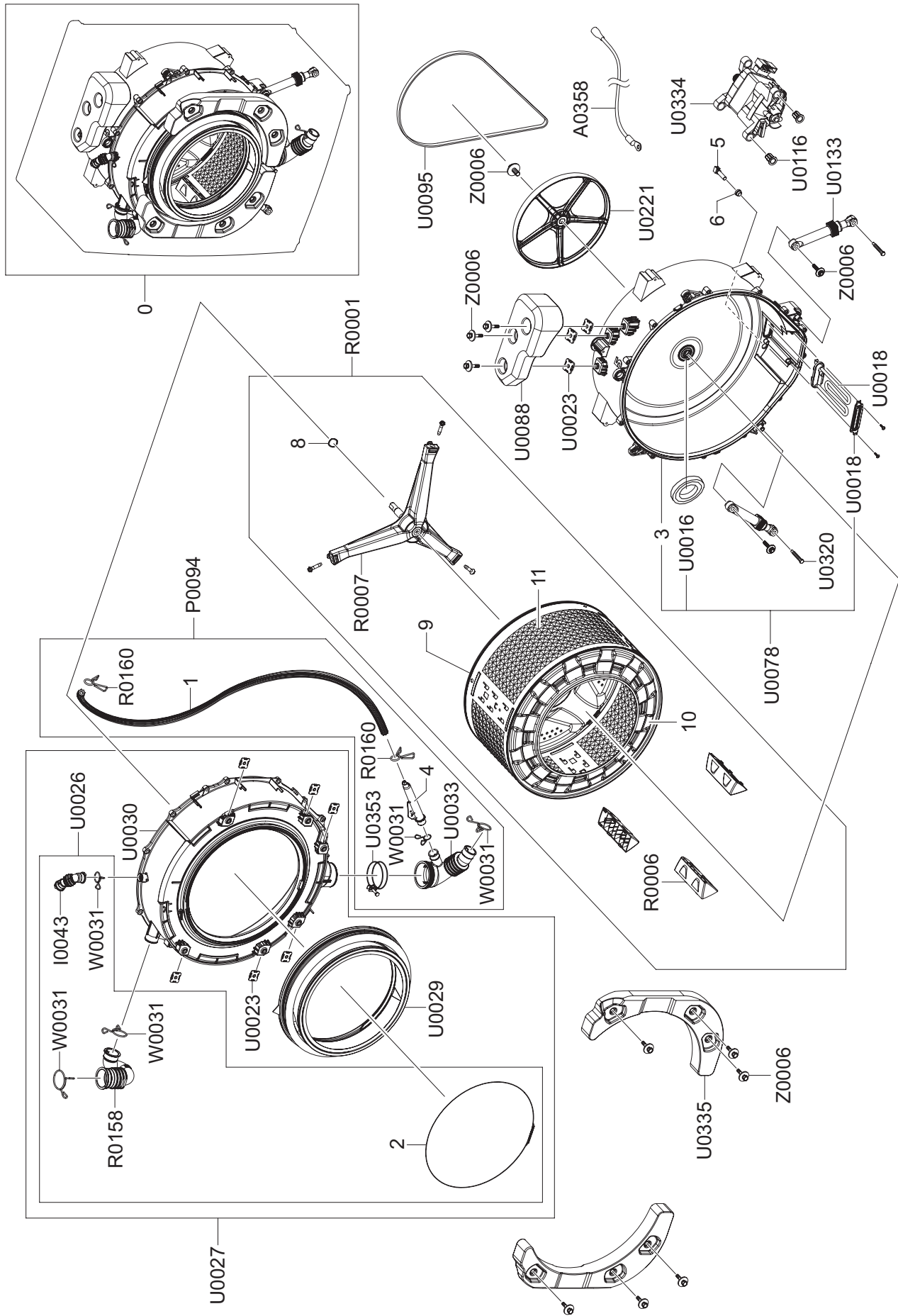


MODEL CODE: WF9702N3W/HAC

Service Bom (SA: SERVICE AVAILABLE, SNA: SERVICE NOT AVAILABLE)

SVC Code	Code No.	Description	Specification	QTY	Un	SA/SNA
A0025	DC97-14794A	ASSY FIXER TUB	HEBA-PJT/7kg,WF8702LS,-,-	5	PC	SA
A0114	DC64-01667A	SHUTTER	AEGIS-PJT,PP,T3.0,W440,L200,NATU	1	PC	SNA
A0132	DC61-10673A	CAP-DRAIN	SWF-P12,PP(TB53),-,-,-,WHT,-,	1	PC	SA
A0282	DC63-00862B	COVER-BACK	WF8600NMW,GI,T0.4,W352,L490,-	1	PC	SA
A0362	DC61-40081A	HOLDER-WIRE	DAWH-2NC,NYLON66,-,-,-,NTR	5	PC	SA
B0070	DC97-00920C	ASSY LEG	SEW-HW108,-,-,-,-	4	PC	SA
F0125	DC61-02119A	FRAME-PLATE(U)	WF8600NMW,GI,-,-,NATURAL,	1	PC	SA
I0022	DC97-14291D	ASSY HOSE DRAIN(O)	Aegis-PJT,SSEC,-,L175	1	PC	SA
I0046	DC67-00244D	HOSE-DRAIN	-,EPDM,ID6,OD11,T0.6,L270,BLK	1	PC	SNA
J0013	DC97-15861B	ASSY PUMP DRAIN	AEGIS,WF8500NHV,220V/240	1	PC	SNA
J0019	DC61-02173A	CASE-PUMP	AEGIS,PP,T3.0,W167,L108,WHT,-	1	PC	SA
J0020	DC63-00951A	COVER-PUMP	COVER-PUMP,PP,T2.5,W65,L140,V	1	PC	SNA
J0025	DC31-00030A	PUMP-DRAIN	B20-6,220V,50Hz,-,HANYU	1	PC	SA
P0001	DC97-15857A	ASSY COVER TOP	SUNNY,WF9702N3W,DA-WHITE	1	PC	SA
R0027	DC96-01703A	ASSY SENSOR PRESSURE	AEGIS-PJT,-,-,DRUM	1	PC	SA
R0164	DC61-02146A	SPRING ETC-HANGER	AEGIS,HSWR,CD3.5,ID19,	2	PC	SA
U0018	DC63-00927A	COVER-HEATER	AEGIS PJT,ABS+PC,T2.5,-,-,-	1	PC	SA
U0353	DC65-00008A	CLAMPER HOSE	SEW-DR605,SK5,-,-,YEL,ID14.	4	PC	SA
U0353	DD65-00001F	CLAMPER HOSE	SDW-H120,STEEL,-,D10.5/T1.2	1	PC	SNA
W0002	DC96-00146A	ASSY POWER CORD	UCP2,250V/16A,-,1500/EUR	1	PC	SA
W0004	DC93-00006A	ASSY M.GUIDE WIRE HARNESS	AEGIS,GOOD,230	1	PC	SA
Y0040	DC29-00009C	FILTER EMI	DFC-2715R,P/PV/P2,250V,15,PI3	1	PC	SA
5.2-0	-	FRAME & COVER PARTS	Refer to 5.2 Frame & Cover Parts	1	-	-
5.2-1	DC61-02140A	GUIDE-SPRING	WF8500NMW,POM,T1.5,W20,L20,	2	PC	SNA
5.2-3	DC61-02121A	GUIDE-HOSE	WF8500NMW,PP(TB53),T1.5,W33,L	1	PC	SNA
5.2-4	DC97-15138A	ASSY FRAME	-,WF8600NMW,PCM+GI,-,-,-	1	PC	SNA
5.2-5	DE65-20026A	HOLDER-WIRE	-,NYLON,-,-,-,NTR,LOCK-TWIST	3	PC	SNA
5.2-6	DC61-02143A	GUIDE-WIRE(F)	WF8500NMW,PP(TB53),T1.5,W3	1	PC	SNA
5.2-7	DC63-00956A	CUSHION-PUMP(L)	AEGIS,BUTYL,T2.5,W41.5,L	1	PC	SNA
5.2-8	DC69-01232A	PACKING-PUMP	AEGIS,EPDM,EPDM,T3,W45,L22,H21.5,BLACK,10g,-	1	PC	SNA
5.2-9	DC73-00022A	RUBBER-PACKING	SEW-HVR149ATA,EPDM,-,40,-	1	PC	SNA
5.2-10	DC63-00865A	FILTER-PUMP	WF8804DP,PP,T1.7,W53,L66.95,	1	PC	SNA
5.2-11	DC64-01317A	HANDLE-FILTER	HANDLE-FILTER,PP,T2.5,W55,	1	PC	SNA
5.2-12	DC61-02221A	GUIDE-CUSHION	AEGIS,PP,-,W20,L40,NATURAL,-	1	PC	SNA

5-3. ASS'Y TUB DRUM



MODEL CODE: WF9702N3W/XEC

Service Bom (SA: SERVICE AVAILABLE, SNA: SERVICE NOT AVAILABLE)

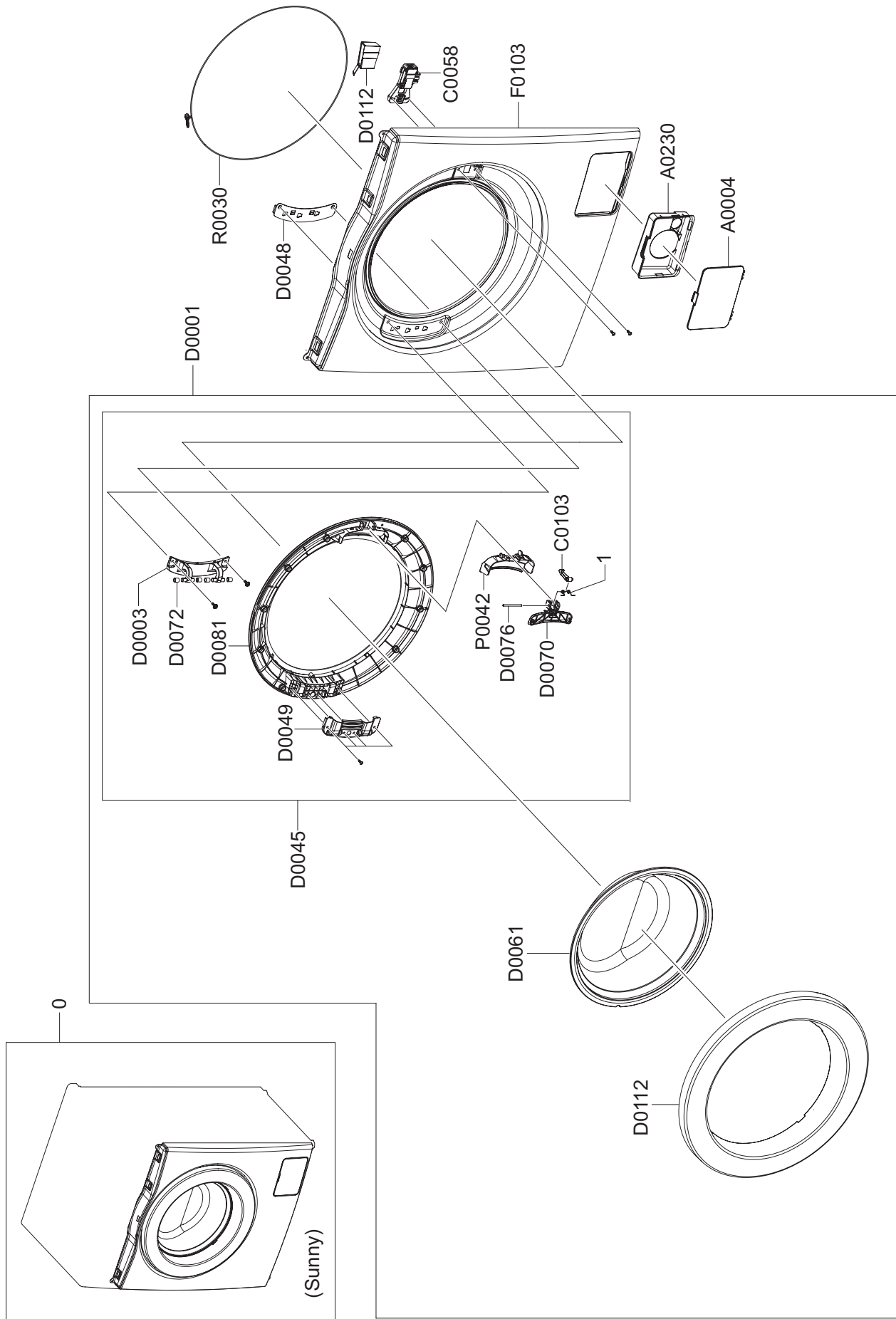
SVC Code	Code No.	Description	Specification	QTY	Un	SA/SNA
A0358	DC93-00015A	ASSY WIRE EARTH	AEGIS,5KG,230V/50HZ,EART	1	PC	SA
I0043	DC67-00355A	HOSE-AIR	AEGIS-PJT,EPDM,ID20.5,OD24.6,T1	1	PC	SA
P0094	DC97-14637B	ASSY HOSE PRESSURE	AEGIS-PJT,-,-,-,-,-	1	PC	SA
R0001	DC97-15187B	ASSY DRUM	AEGIS-PJT,6KG/CUBIC,-,1400RPM,	1	PC	SA
R0006	DC66-00523A	DRUM-LIFTER	AEGIS-PJT,PP-TI42,T2.5,-,L15	3	PC	SA
R0007	DC97-15185A	ASSY FLANGE SHAFT	AEGIS-PJT,6KG,-,1400RP	1	PC	SNA
R0158	DC67-00334A	HOSE-DRAWER TUB	AEGIS-PJT,EPDM,ID35,OD40	1	PC	SA
R0160	DC61-70029C	SPRING-CLIP	SEW-HW125,HSWR67,CD1.2,ID8.5	2	PC	SNA
U0016	DC62-00008A	SEAL-OIL	-,NBR(SD35),BLK,-,-,-,NBU(PI15)	1	PC	SA
U0018	DC47-00006V	HEATER	SU8E6547-V,-,SUS 316L,2000W,8.26~	1	PC	SA
U0023	DC61-40348B	BRACKET-NUT	SBHG-R,P1291,T3,-,-,-,NO-PAI	3	PC	SA
U0026	DC97-15413A	ASSY TUB FRONT	AEGIS,WF8600/WF8602,6.0KG	1	PC	SNA
U0027	DC97-15414A	ASSY SEMI TUB FRONT	AEGIS,WF8600/WF8602,	1	PC	SNA
U0029	DC64-01664A	DOOR-DIAPHRAGM	AEGIS-PJT,EPDM,T1.5/T3.0,	1	PC	SA
U0030	DC61-02107A	BODY-DRAWER	WF8500NHW,PP,T2.0,-,-,-,-,AE	1	PC	SA
U0033	DC67-00335A	HOSE-FILTER TUB	AEGIS-PJT,EPDM,ID65,OD70	1	PC	SA
U0078	DC97-15236B	ASSY SEMI TUB BACK	AEGIS-PJT,6205/6206,6	1	PC	SA
U0088	DC67-00337A	WEIGHT-BALANCER(U)	AEGIS-PJT,CONCRETE,-,	1	PC	SA
U0095	6602-001497	BELT-TIMING GEAR	-,RUBBER(GATES),T3.4,-,	1	PC	SA
U0116	DC61-01097A	BUSH-MOTOR	F1235,NYLON,-,-,-,NTR,-	2	PC	SNA
U0133	DC66-00531A	DAMPER-SHOCK	AEGIS-PJT,SBHG T1.0~2.0,70N	2	PC	SA
U0221	DC66-00500A	PULLEY-MOTOR	HEBA PJT,ALDC8,-,-,-,OD296.	1	PC	SA
U0320	DC60-40144A	BOLT-HEX	M10,L41,ZPC2(YEL),SM10C/DAMPER	2	PC	SA
U0334	DC31-00002S	MOTOR UNIVERSAL-DRUM	HXGK11,1400,-,220-2	1	PC	SA
U0335	DC67-00336A	WEIGHT-BALANCER(F)	AEGIS-PJT,CONCRETE,-,	2	PC	SA
U0353	DC65-00021A	CLAMPER HOSE-JOINT	HEBA PJT,HSWR,-,ID74/	1	PC	SNA
W0031	DC72-00001H	BAND-RING	HEBA-PJT,HSWR,PI3.0,ID35,-,WHT	1	PC	SA
W0031	DC65-60118R	BAND-RING	AEGIS-PJT,HSWR,T3.0,ID36.5,-,W	1	PC	SA
W0031	DC65-60125B	BAND-RING	-,HSWR,T2.4,PI25,-,YEL,-	2	PC	SNA
W0031	DC72-00001G	BAND-RING	HEBA-PJT,HSWR,PI3.0,W21.5,ID49	1	PC	SNA
Z0006	DC97-02412P	ASSY BOLT	AEGIS-PJT,ALL MODEL(WEIGHT-BAL	9	PC	SA
Z0006	DC97-14263A	ASSY BOLT	HEBA-PJT,MOTOR/BOLT(M8)+WASHER	4	PC	SA
Z0006	DC97-06080A	ASSY BOLT	SEW-3HR107,BOLT+WASHER,-,-,-,-	1	PC	SNA
5.3-0	DC97-15227A	ASSY TUB&DRUM	WF8604,AEGIS-PJT/6KG/1400R	1	PC	SNA
5.3-1	DC67-00230D	HOSE-WATER	AEGIS-PJT,EPDM,ID4.5,OD8,T1.7	1	PC	SNA
5.3-2	DC91-12077G	ASSY CLAMP DIAPHGRAM	AEGIS,WF8500NHW/YLP	1	PC	SNA
5.3-3	DC61-02217A	TUB-BACK	AEGIS 6kg 1400RPM,FRPP-GF15%,-,	1	PC	SNA
5.3-4	DC67-00297A	HOSE-JOINT AIR	HEBA-PJT,PP,ID22,OD26,T2.	1	PC	SNA

MODEL CODE: WF9702N3W/XECService Bom (**SA**: SERVICE AVAILABLE, **SNA**: SERVICE NOT AVAILABLE)

SVC Code	Code No.	Description	Specification	QTY	Un	SA/SNA
5.3-5	DC32-00010B	THERMISTOR	NTSF0123XZ004,R=3.243KΩ±2%(at	1	PC	SNA
5.3-6	DC69-00824A	PACKING-THERMISTOR	GW-PJT,EPDM,-,-,W17,-	1	PC	SNA
5.3-8	6031-001632	WASHER-WAVE	SK5(SCP1),H2,ID30,OD33.8,T0.	1	PC	SNA
5.3-9	DC66-00492A	DRUM-BACK	HEBA PJT,STS430/T0.5,ID492,OD4	1	PC	SNA
5.3-10	DC66-00520A	DRUM-FRONT	AEGIS-PJT,STS430,ID311,OD488,	1	PC	SNA
5.3-11	DC66-00522A	DRUM-WRAPPER	AEGIS-PJT/6.0kg,STS430,ID48	1	PC	SNA

MEMO

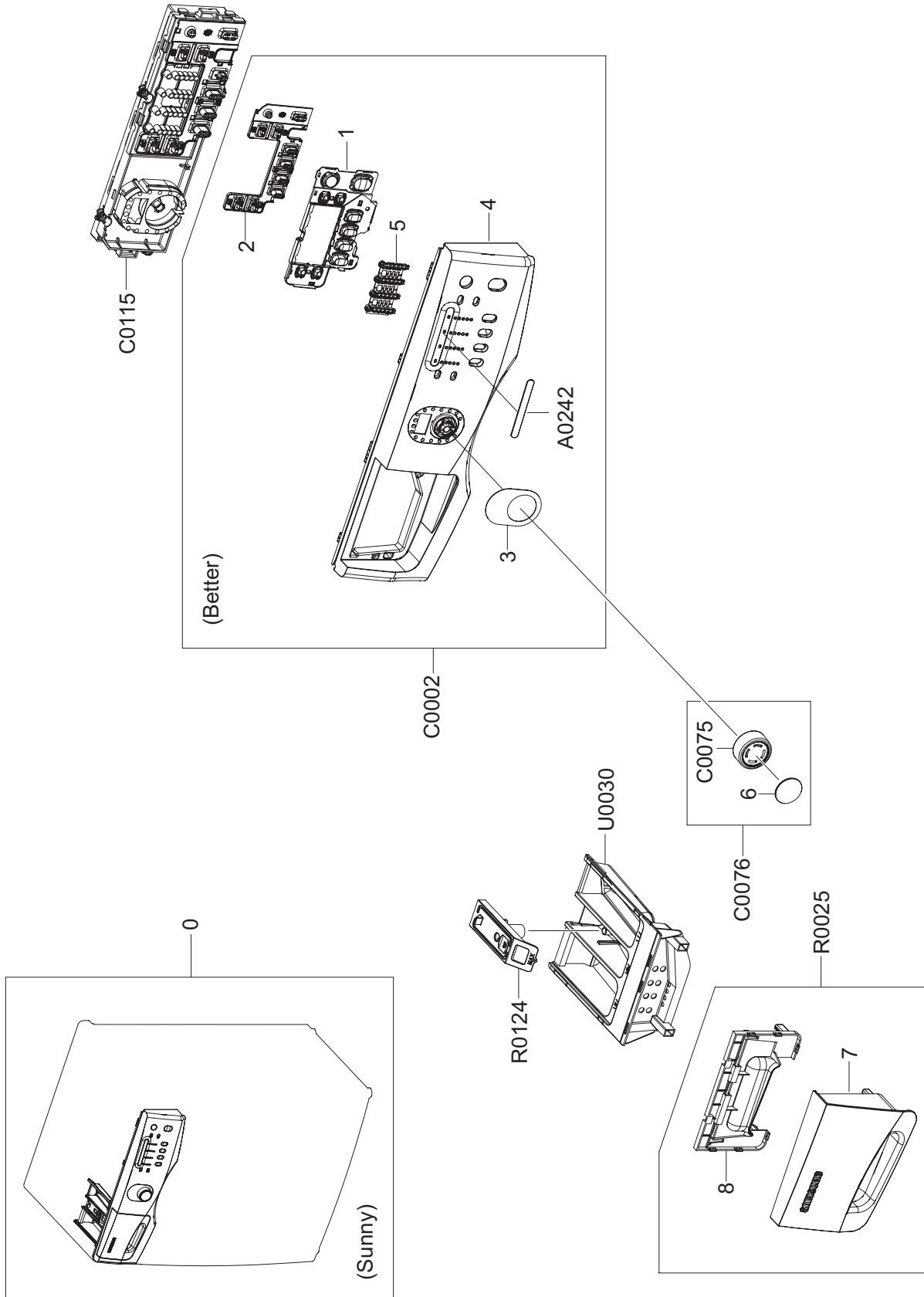
5-4. ASS'Y FRAME FRONT



MODEL CODE: WF9702N3W/XECService Bom (**SA**: SERVICE AVAILABLE, **SNA**: SERVICE NOT AVAILABLE)

SVC Code	Code No.	Description	Specification	QTY	Un	SA/SNA
A0004	DC63-00920A	COVER-FILTER	WF8500NHW,ABS,T2.0,W300,L20	1	PC	SA
A0230	DC61-02090A	GUIDE-FILTER	WF8500NHW,ABS(HB),T2.5,W300	1	PC	SA
C0058	DC64-01538A	DOOR-LOCK S/W	ZV-446L5,PA66,T19.5,-,W95.	1	PC	SA
C0103	DC66-00519A	LEVER-DOOR	WF8500NHW,ZNDC,T5.7,W14,L46,-	1	PC	SNA
D0001	DC97-15194H	ASSY DOOR	AEGIS-2,WF9592FRW,WHT(1PC)	1	PC	SA
D0003	DC61-02099A	HINGE-DOOR	WF8500NHW,ALDC,T5.0,-,L155,-,	1	PC	SNA
D0045	DC97-15192C	ASSY HOLDER GLASS	AEGIS-2,WF9592FQW,PP,T	1	PC	SA
D0048	DC61-02184A	BRACKET-HINGE	WF8500NHW,GI,T1.4,-,-,-,AE	1	PC	SA
D0049	DC61-02100A	BRACKET-HOLDER	WF8500NHW,GI,T1.4,-,-,-,A	1	PC	SNA
D0061	DC64-01790A	DOOR-GLASS	AEGIS,HeatTreatmentGLASS,T5.0	1	PC	SA
D0072	DC61-00891A	GUIDE-HINGE	HAUZEN(DOM),POM,-,-,-,WHT,HI	2	PC	SA
D0070	DC64-01948A	HANDLE-DOOR	WF9604SQR/XSC,POM,T2.0,L107,	1	PC	SNA
D0076	DC64-00564A	HANDLE-PIN	Q1636GW/XEU,STS,-,-,-,-,TS-	1	PC	SA
D0081	DC61-02097A	HOLDER-GLASS	WF8500NHW,PP,T3.0,OD459.5,-	1	PC	SNA
D0112	DC63-00923A	COVER-DOOR	WF8500NMW,ABS,T2.5,OD460,-,-,	1	PC	SA
D0112	DC63-00967A	COVER-DOOR SWITCH	AEGIS-PJT/ WF8500NHW,P	1	PC	SNA
F0103	DC61-02088A	FRAME-FRONT	WF8500NHW,EGI,-,-,WHT,T0.8,W	1	PC	SA
P0042	DC63-00924A	COVER-HANDLE	WF8500NHW,ABS,T2.2,-,L115,-	1	PC	SNA
R0030	DC91-12078E	ASSY WIRE DIAPHRAGM	AEGIS,WF8500NHW/YLP,	1	PC	SA
5.4-0	-	ASSY-FRAME FRONT	-	1	-	-
5.4-1	DC61-02098A	SPRING ETC-LEVER	WF8500NHW,STS304,CD1.0,	1	PC	SNA

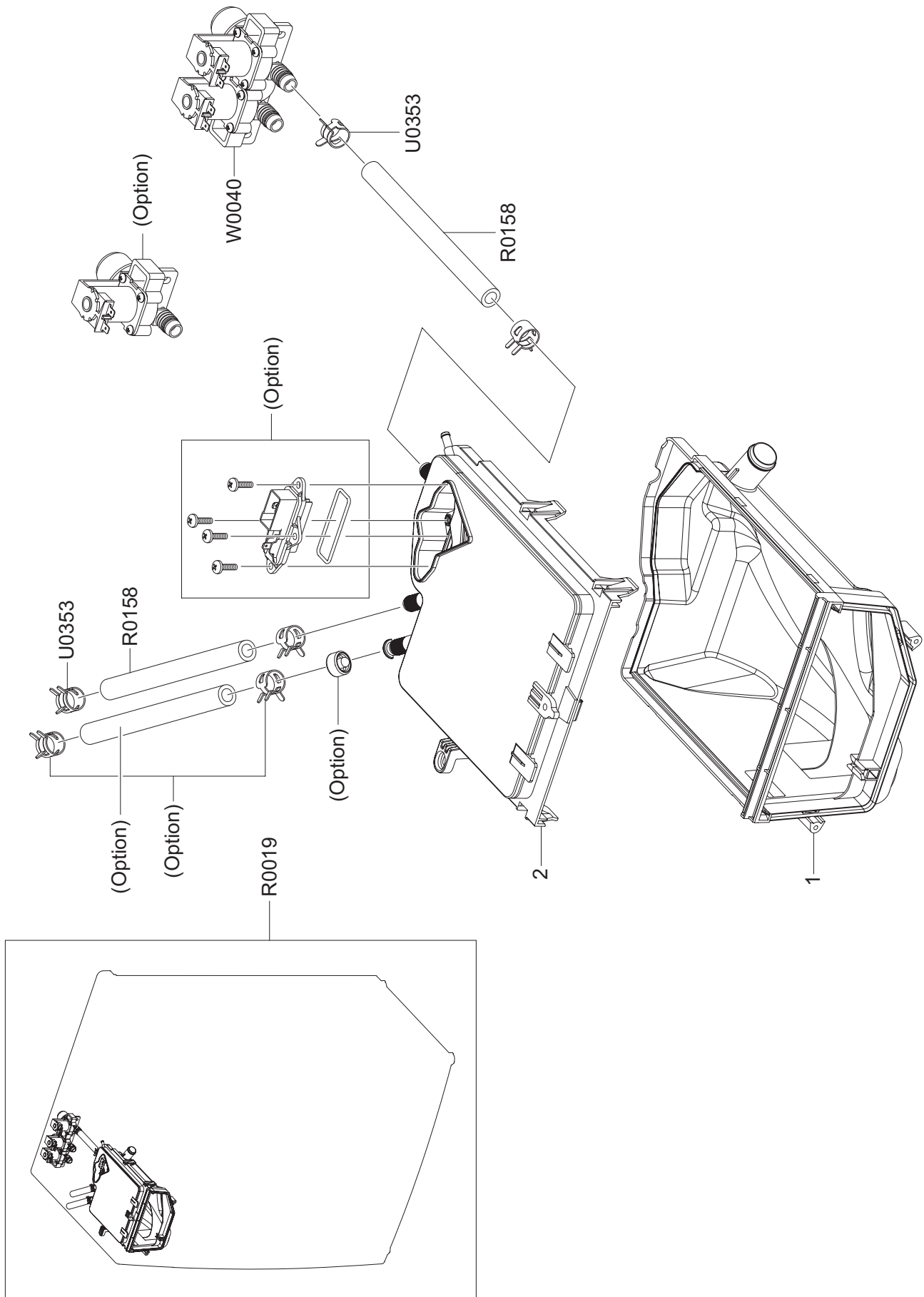
5-5. PANEL-CONTROL & DRAWER



MODEL CODE: WF9702N3W/XECService Bom (**SA**: SERVICE AVAILABLE, **SNA**: SERVICE NOT AVAILABLE)

SVC Code	Code No.	Description	Specification	QTY	Un	SA/SNA
A0242	DC64-01692A	INLAY-PANEL	AEGIS-PJT,ACRYL,T1.5,W12.0,L	1	PC	SNA
C0002	DC97-15625E	ASSY PANEL CONTROL	SUNNY-PJT,WF9702N3W/X	1	PC	SA
C0075	DC64-01688A	KNOB-ENCODER	AEGIS-PJT,ABS,T2.0,-,-,-,BL	1	PC	SNA
C0076	DC97-15310B	ASSY KNOB ENCODER	AEGIS,BETTER,IMPERIAL-	1	PC	SA
C0115	DC92-00289A	ASSY PCB PART-MAIN	SNCI-09J12NB-00,WF970	1	PC	SA
R0025	DC97-15806A	ASSY PANEL DRAWER	SUNNY-PJT,WF9702N3W,7.	1	PC	SA
R0124	DC61-02106A	STOPPER-DRAWER	WF8500NHW,PP(TB53),T2.0,-	1	PC	SA
U0030	DC61-02085A	TUB-FRONT	AEGIS 5kg~6kg,FRPP-GF15%,-,OD5	1	PC	SA
5.5-0	-	Panel-Control & Drawer	-	1	-	-
5.5-1	DC64-01941A	BUTTON-PUSH(F)	AEGIS2B-PJT,ABS,DA-WHITE	1	PC	SNA
5.5-2	DC64-01950A	BUTTON-RUBBER	AEGIS2B,SILICON,NTR	1	PC	SNA
5.5-3	DC64-01686E	WINDOW-ENCODER	AEGIS-BETTER,PC,T1.0,W64.	1	PC	SNA
5.5-4	DC64-01945A	PANEL-CONTROL	AEGIS2B-PJT,ABS,T2.5,WHITE	1	PC	SNA
5.5-5	DC64-01943A	DECORATION-LED	AEGIS2B,ABS,T1.2,CLEAR	1	PC	SNA
5.5-6	DC64-01689B	DECORATION-ENCODER	AEGIS-PJT,ABS,T2.6,-,	1	PC	SNA
5.5-7	DC64-02014A	PANEL-DRAWER	SUNNY-PJT,ABS,T2.5,WHITE	1	PC	SNA
5.5-8	DC64-02015A	HANDLE-DRAWER	SUNNY-PJT,ABS,T2.5,DA-WHIT	1	PC	SNA

5-6. ASS'Y HOUSING DRAWER



MODEL CODE: WF9702N3W/XECService Bom (**SA**: SERVICE AVAILABLE, **SNA**: SERVICE NOT AVAILABLE)

SVC Code	Code No.	Description	Specification	QTY	Un	SA/SNA
R0019	DC97-15204B	ASSY HOUSING DRAWER	AEGIS,WF8602NHW/6.0k	1	PC	SA
R0158	DC67-00334A	HOSE-DRAWER TUB	AEGIS-PJT,EPDM,ID35,OD40	1	PC	SA
R0158	DC67-00051B	HOSE-DRAWER	Q1636GW/XEU,EPDM,ID9.0,OD14.	0.31	M	SNA
U0353	DC65-00008A	CLAMPER HOSE	SEW-DR605,SK5,-,-,YEL,ID14.	4	PC	SA
W0040	DC62-00024F	VALVE-WATER	B1215J,NYLON66/250TRMN,-,-,N	1	PC	SA
5.6-1	DC61-02105A	HOUSING-DRAWER(L)	WF8500NHW,PP(TB53),T1.	1	PC	SNA
5.6-2	DC97-15234A	ASSY S.HOUSING DRAWER	WF8500NHW,NO-AG+/S	1	PC	SNA

5-7. PARTS LIST (OTHERS PARTS)

MODEL CODE: WF9702N3W/XEC

Service Bom (SA: SERVICE AVAILABLE, SNA: SERVICE NOT AVAILABLE)

SVC Code	Code No.	Description	Specification	QTY	Un	SA/SNA
F0027	DC99-01034A	ASSY PAINT FRAME	-,WF8600NHW,PCM GI,-,-,	1	PC	SA
U0003	DC60-60044B	WASHER-PLAIN	-,SBC,ID8.4/OD30,T2.0,-,-,-	4	PC	SA
U0353	DC61-00133A	CLAMPER HOSE-FIX	P1291,PP,ID24.5,OD29.5,	1	PC	SA

5-8. PARTS LIST (SCREW PARTS)

MODEL CODE: WF9702N3W/XEC

Service Bom (SA: SERVICE AVAILABLE, SNA: SERVICE NOT AVAILABLE)

SVC Code	Code No.	Description	Specification	QTY	Un	SA/SNA
RO995	6009-001367	SCREW-HEX	HWH,+,-,M6.5,L32,ZPC(WHT),SWRC	14	PC	SNA
RW028	6002-000520	SCREW-TAPPING	TH,+,-,2,M4,L12,ZPC(WHT),S	2	PC	SNA
RW028	6002-000520	SCREW-TAPPING	TH,+,-,2,M4,L12,ZPC(WHT),S	1	PC	SNA
RW028	6002-000520	SCREW-TAPPING	TH,+,-,2,M4,L12,ZPC(WHT),S	4	PC	SNA
RW028	DE60-10080A	SCREW-TAPPING	PWH,+,-,2S,M5,L9,-,SWRCH18	2	PC	SNA
RW028	6002-000520	SCREW-TAPPING	TH,+,-,2,M4,L12,ZPC(WHT),S	4	PC	SNA
RW028	6002-000520	SCREW-TAPPING	TH,+,-,2,M4,L12,ZPC(WHT),S	2	PC	SNA
S0025	6006-001174	SCREW-TAPPING	TH,+WE,2S,M4,L12,ZPC(WHT)	5	PC	SNA
S0025	6002-001208	SCREW-TAPPING	TWH,+,-,1,M4,L14,ZPC(WHT),	4	PC	SNA
S0025	6006-001174	SCREW-TAPPING	TH,+WE,2S,M4,L12,ZPC(WHT)	5	PC	SNA
U0358	6001-001773	SCREW-MACHINE	TH,+,-,M5,L12,PASS,STS430,	2	PC	SNA
U0358	6001-000592	SCREW-MACHINE	TH,+,-,M4,L8,ZPC(WHT),SWRC	4	PC	SNA
Z0005	6002-001006	SCREW-TAPPING	TH,+,-,2S,M4,L12,PASS,STS4	3	PC	SNA
Z0005	6002-001006	SCREW-TAPPING	TH,+,-,2S,M4,L12,PASS,STS4	2	PC	SNA
Z0005	6002-001377	SCREW-TAPPING	TH,+WS,-,M4,L10,ZPC3 (WHT	1	PC	SNA
Z0005	6002-001377	SCREW-TAPPING	TH,+WS,-,M4,L10,ZPC3 (WHT	3	PC	SNA
Z0005	6002-000632	SCREW-TAPPING	PH,+,-,2S,M4,L16,ZPC(WHT),	2	PC	SNA
Z0005	6002-001377	SCREW-TAPPING	TH,+WS,-,M4,L10,ZPC3 (WHT	2	PC	SNA
Z0005	6002-000471	SCREW-TAPPING	TH,+,-,1,M4,L12,PASS,STS30	2	PC	SNA
Z0005	6002-000471	SCREW-TAPPING	TH,+,-,1,M4,L12,PASS,STS30	10	PC	SNA
Z0005	6002-000445	SCREW-TAPPING	TH,+2,M4,L18,PASS,STS430	4	PC	SNA
Z0005	6002-000445	SCREW-TAPPING	TH,+2,M4,L18,PASS,STS430	4	PC	SNA
Z0005	6002-001327	SCREW-TAPPING	PWH,+1,M4,L12,ZPC(WHT),SW	2	PC	SNA
Z0005	6009-001343	SCREW-SPECIAL	PH,TORX,M4,L10,ZPC(WHT),SW	1	PC	SNA
Z0005	6002-000632	SCREW-TAPPING	PH,+,-,2S,M4,L16,ZPC(WHT),	3	PC	SNA
Z0005	DC60-20004B	SCREW-TAPPING	-,-,DI5,L20,HH,-,B,-,FEFZW	1	PC	SNA