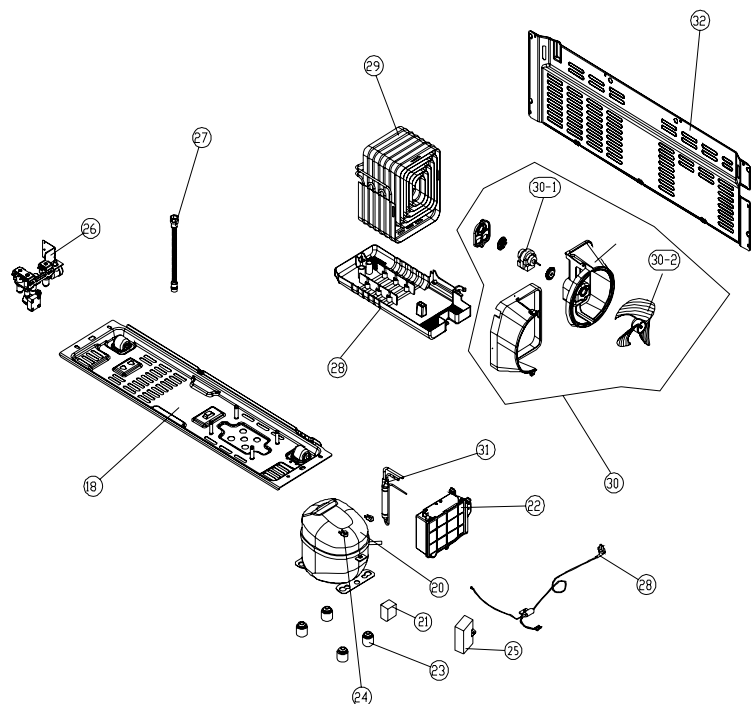


NO	PART-CODE	PART NAME	SPEC.	Q'ty		
				X22B..	22D../22E..	22F../22G..
1	-	ASSY CAB URT	-	1	1	1
2	3012933100	HINGE *T *R	PO T3.0+PAINT	1	1	1
3	3012933000	HINGE *T *L	PO T3.0+PAINT	1	1	1
4	3001434900	COVER HI *T *R	PP	1	1	1
5	3001434800	COVER HI *T *L	PP	1	1	1
6	3018125601	SWITCH H/BAR DR AS	SP101B-2DI	2	2	2
7	3014HR070	PCB MAIN AS	X22B	X	x	1
	30143HJ080		22D/E (Inverter Comp.)	X	1	X
8	3011446001	COVER M/PCB BOX	PP(FB-72)	1	1	1
9	3013226800	HOSE ICE MAKER TUBE AS	220~240V/5W	x	1	1
	3013226810		110~127V/5W			
10	3012540200	GUIDE CAB W/TUBE A AS	X22.. MODEL	x	1	1
	3012519221		Y22.. MODEL	x	1	1
11	NO DISPONIBLE	COVER GUIDE CAB W/T A	PP	x	1	1
12	NO DISPONIBLE	COVER GUIDE CAB W/FILT	PP	x	1	1
13	NO DISPONIBLE	CLAMP W/TUBE C	HIPS	X	2	2
14	3012933500	HINGE *U *R AS		1	1	1
15	3010673800	BRACKET ADJ FOOT AS		1	1	1
16	3012933400	HINGE *U *L AS		1	1	1
17	3001433900	COVER CAB BRKT AS	PP	1	1	1

- Some parts can be chaged for improving their perfomance without notice.

No	Date	Note	Remark

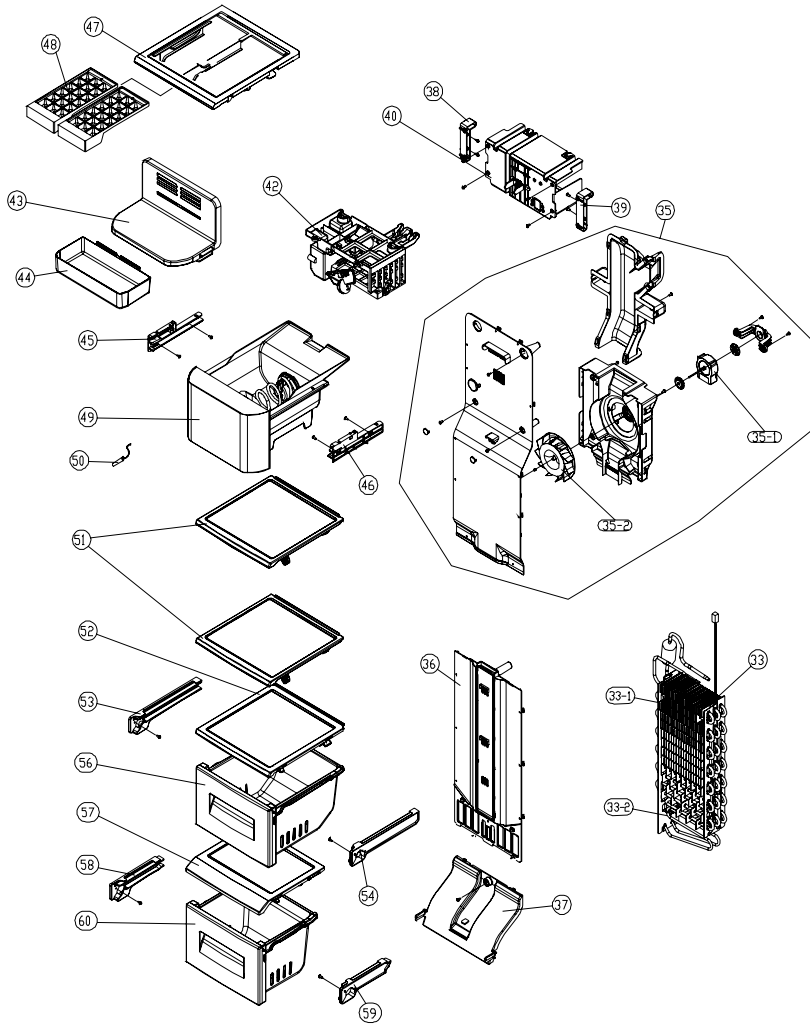


NO	PART-CODE	PART NAME	SPEC.	Q'ty		
				X22B..	22D../22E..	22F../22G..
18	NO DISPONIBLE	BASE COMP AS	ALL MODELS	1	1	1
19	OPTION	CORD POWER AS	COUNTRY Dependent	1	1	1
20		COMPRESSOR		1	1	1
	3959115280		EU4A5Q-L2X MODEL:FRN-Y22D2V			
	3956114M80		LQ140NAEM MODEL:FRN-X22B2V			
21		SWITCH P RELAY AS		1	1	1
	3018133800		4TM319SFB MODEL:FRN-Y22D2V			
	3018133900		4TM205RFB MODEL:FRN-X22B2V			
22	3814300300	BOX INVERTER AS	PP(EU4A5Q Only)	1	1	1
23	3010101600	ABSORBER COMP	NBR	4	4	4
24	3016002500	COMP WASHER	SK-5 T0.8	4	4	4
25	3016406100	CAPACITOR RUN	400VAC/5 μ F (WIRE,P2)	1	1	1
	3016405900		350VAC/5 μ F (WIRE, P2)			
	3016405020		250VAC/12 μ F (WIRE,P2)			
26	3015406900	VALVE WATER AS	220~240V(Y22..MODEL)	X	1	1
	3015406910		110~127V(Y22..MODEL)			
	3015402300		220~240V(X22..MODEL)			
	301542310		110~127V(X22..MODEL)			
27	3013201700	HOSE DRN B	PE FRB-5970NB	x	1	1
28	3011199L00	CASE VAPORI AS	FRX-621B	1	1	1
29	3014467200	PIPE WICON AS	TWS OD4.76*T0.7	1	1	1
30	3018410500	MOUTHBELL AS	FRX-621B	1	1	1
30-1	3015920900	MOTER C FAN	D4612AAA31	1	1	1
30-2	3011836300	FAN	PP OD3.17*D150	1	1	1
31	3019808100	DRYER AS	C1220T-M OD19.05*L135	1	1	1
32	3001436500	COVER MACH RM AS		1	1	1

- Some parts can be chaged for improving their performace without notice.

No	Date	Note	Remark

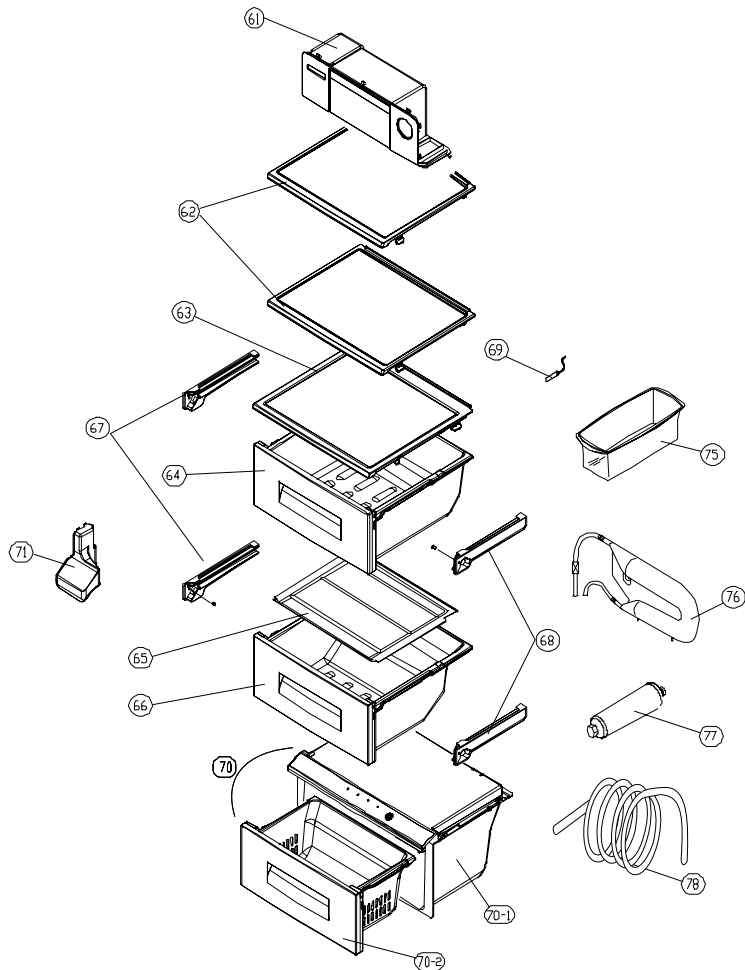
F-ROOM PARTS



NO	PART-CODE	PART NAME	SPEC.	Q'ty		
				X22B..	22D../22E..	22F../22G..
33	3017068900	EVA AS	220-240V, 280W	1	1	1
33-1	3014809500	SENSOR D AS	PBN-43	1	1	1
33-2	3012824210	HEATER SHEATH AS	220-240V, 280W	1	1	1
	3012824220		110-127V, 250W			
35	3018928600	LOUVER F A AS	FRY-621B	1	1	1
35-1	3015920700	MOTOR F FAN AS		1	1	1
35-2	3011836400	FAN F		1	1	1
36	3018928900	LOUVER F B AS	FRY-621B	1	1	1
37	3001434700	COVER F RETURN	HIPS	1	1	1
38	3012517800	GUIDE G MOTR BRKT*L	ABS	X	1	1
39	3012517900	GUIDE G MOTR BRKT*R	ABS		1	1
40	3010673600	BRACKET GEARED MOTR AS	FRX-601D, 220-240V		1	1
	3010673610		FRX-601D, 110-127V			
42	3012231400	FRAME I/MAKER AS	FRX-601D		1	1
43	3001435000	COVER I/CRUSHER*T	HIPS		1	1
44	3019058700	POCKET I/CRUSHER COVER	GPPS		1	1
45	3012538200	GUIDE I/CRUSHER *L	ABS		1	1
46	3012538100	GUIDE I/CRUSHER *R	ABS		1	1
47	3017851700	SHELF F ICE AS	FRX-621B		1	X
48	3011186300	CASE ICING	PP	2	X	X
49	3011199K00	CASE I/CRUSHER AS	FRX-601D	X	1	1
50	3014809300	SENSOR F AS	PT-38	1	1	1
51	3017851200	SHELF F AS		2	2	2
52	3001438000	COVER F CASE*T AS		1	1	1
53	3012514512	GUIDE CASE A *L AS	FR-S580EG(PP)	1	1	1
54	3012514612	GIDUE CASE A *R AS	FR-S580EG(PP)	1	1	1
56	3011124000	CASE F*T AS		1	1	1
57	3001434500	COVER F CASE *U	HIPS	1	1	1
58	3012529712	GUIDE CASE C *L AS	FRU-571I(PP)	1	1	1
59	3012529812	GUIDE CASE C *R AS	FRU-571I(PP)	1	1	1
60	3011124100	CASE F*U AS	FRX-621B	1	1	1

- Some parts can be chaged for improving their performance without notice.

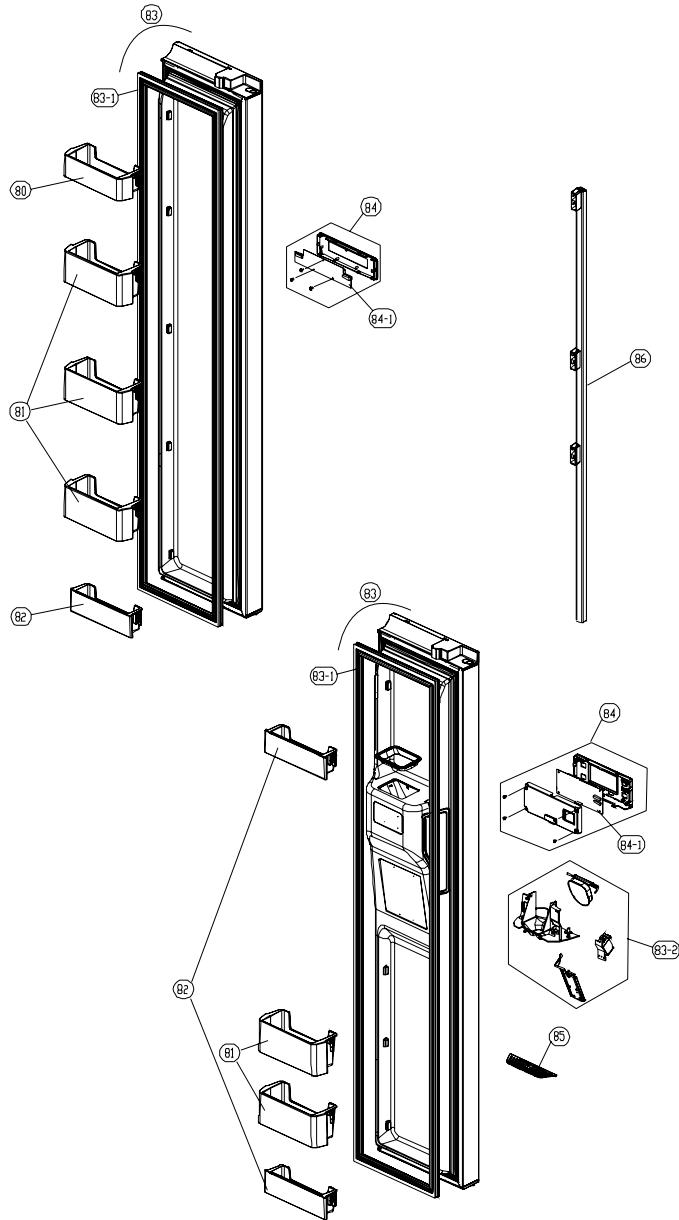
No	Date	Note	Remark



NO	PART-CODE	PART NAME	SPEC.	Q'ty		
				X22B..	22D../22F..	22E../22G..
61	3001436900	COVER DAMPER AS	FRS-X22B, FRS-X22D..	1	1	1
	3001436910		FRS-Y22D..	X		
62	3017851300	SHEPLF R AS	FRX-621B	2	2	2
63	3001437200	COVER VEGETB CASE AS	FRX-621B	2	2	1
64	3011199N00	CASE VEGETB*T AS		X	X	1
65	3011446600	COVER V/CASE A	GPPS	X	X	1
66	3011199P00	CASE VEGETB*M AS	FRX-621B	1	1	1
67	3012514512	GUIDE CASE A *L AS	FR-S580EG(PP)	1	1	2
68	3012514612	GIDUE CASE A *R AS	FR-S580EG(PP)	1	1	2
69	3014809400	SENSOR R AS	PBN-43B	1	1	1
70	3010573700	BOX CHANGE RM AS	FRX-601G	X	X	1
70-1	3001437000	COVER CHANGE RM AS	FRX-601G	X	X	1
70-2	3011199M00	CASE CHANGE RM AS	FRX-601G	X	X	1
71	3001434700	COVER F RETURN	HIPS	1	1	1
75	3011171310	CASE EGG AS	CASE+VINYL	1	1	1
76	3018201000	TANK WATER AS	FRU-541D	X	1	1
77	3019974800	S/PART FILT WATER AS	X22.. MODEL	X	1	1
	3019986700		Y22.. MODEL	X		
78	3019974020	S/PART W/TUBE AS	X22.. MODEL	X	1	1
	3019974070		Y22.. MODEL	X		

- Some parts can be chaged for improving their performance without notice.

No	Date	Note	Remark

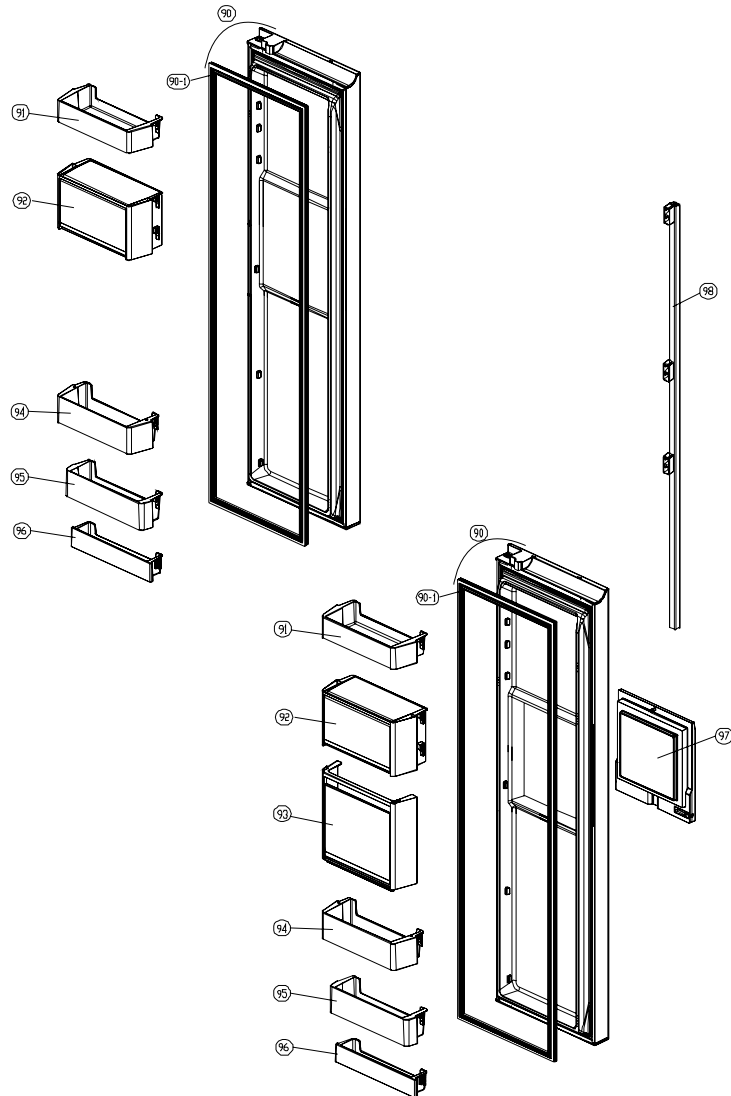


NO	PART-CODE	PART NAME	SPEC.	Q'ty		
				X22B2..	22D2../22F2..	22E2../22G2..
80	3019058000	POCKET F*T	GPPS	X	2	X
81	3019057900	POCKET F*M	GPPS	1	X	1
82	3019058100	POCKET F*U	GPPS	3	2	3
83	30100A5H00	ASSY F DR	X22B, TITANIUM PCM	1	X	X
	30100A5H10		X22B, TITANIUM VCM			
	30100A5H20		X22B, WHITE VCM			
	30100A5H40		X22B, SUS430	X	1	1
	30100A5J00		X22D, TITANIUM PCM			
	30100A5J10		X22D, TITANIUM VCM			
	30100A5J20		X22D, WHITE VCM			
30100A5J40	X22D, SUS430					
83-1	3012318860	GASKET F DR AS	PVC+MAGNET	1	1	1
83-2	3010574300	BOX DISPNS I/SHUT AS	220-240V/50Hz	X	1	1
	3010574310		110-127V/60Hz			
84	3001433630	COVER F PCB AS	FRX-22B..	1	X	X
	3014247000	PANEL *F CONTL AS	FRX-22D..	X	1	1
84-1	30143HJ170	PCB FRONT AS	FRX-22B..	1	X	X
	30143HJ160		FRX-22D..	X	1	1
85	3012407800	GRILLE DISPS	ABS	X	1	1
86	3012653710	HANDLE F DR AS	LONG HANDLE	1	1	1

- Some parts can be chaged for improving their performance without notice.

No	Date	Note	Remark

R-DOOR (Long Handle)



NO	PART-CODE	PART NAME	SPEC.	Q'ty	
				Non H/Bar Door	H/Bar Door
90	30100A5K00	ASSY R DR	X22B, TITANIUM PCM	1	X
	30100A5K10		X22B, TITANIUM VCM		
	30100A5K20		X22B, WHITE VCM		
	30100A5K40		X22B, SUS430		
	30100A5L00		X22D, TITANIUM PCM	X	1
	30100A5L10		X22D, TITANIUM VCM		
	30100A5L20		X22D, WHITE VCM		
	30100A5L40		X22D, SUS430		
90-1	3012318960	GASKET R DR AS	PVC+MAGNET	1	1
91	3019058400	POCKET R*T	GPPS	1	1
92	3019058800	POCKET MULTI AS	GPPS	1	1
93	3011199J00	CASE H/BAR AS	FRX-601G	X	1
94	3019058600	POCKET R H/BAR	GPPS	1	1
95	3019058300	POCKET R*M	GPPS	1	1
96	3010058500	POCKET R*U	GPPS	1	1
97	3001707720	DOOR H/BAR AS	TITANIUM	1	1
	3001707730		WHITE		
98	3012653610	HANDLE R DR AS	LONG HANDLE	1	1

- Some parts can be chaged for improving their performace without notice.

No	Date	Note