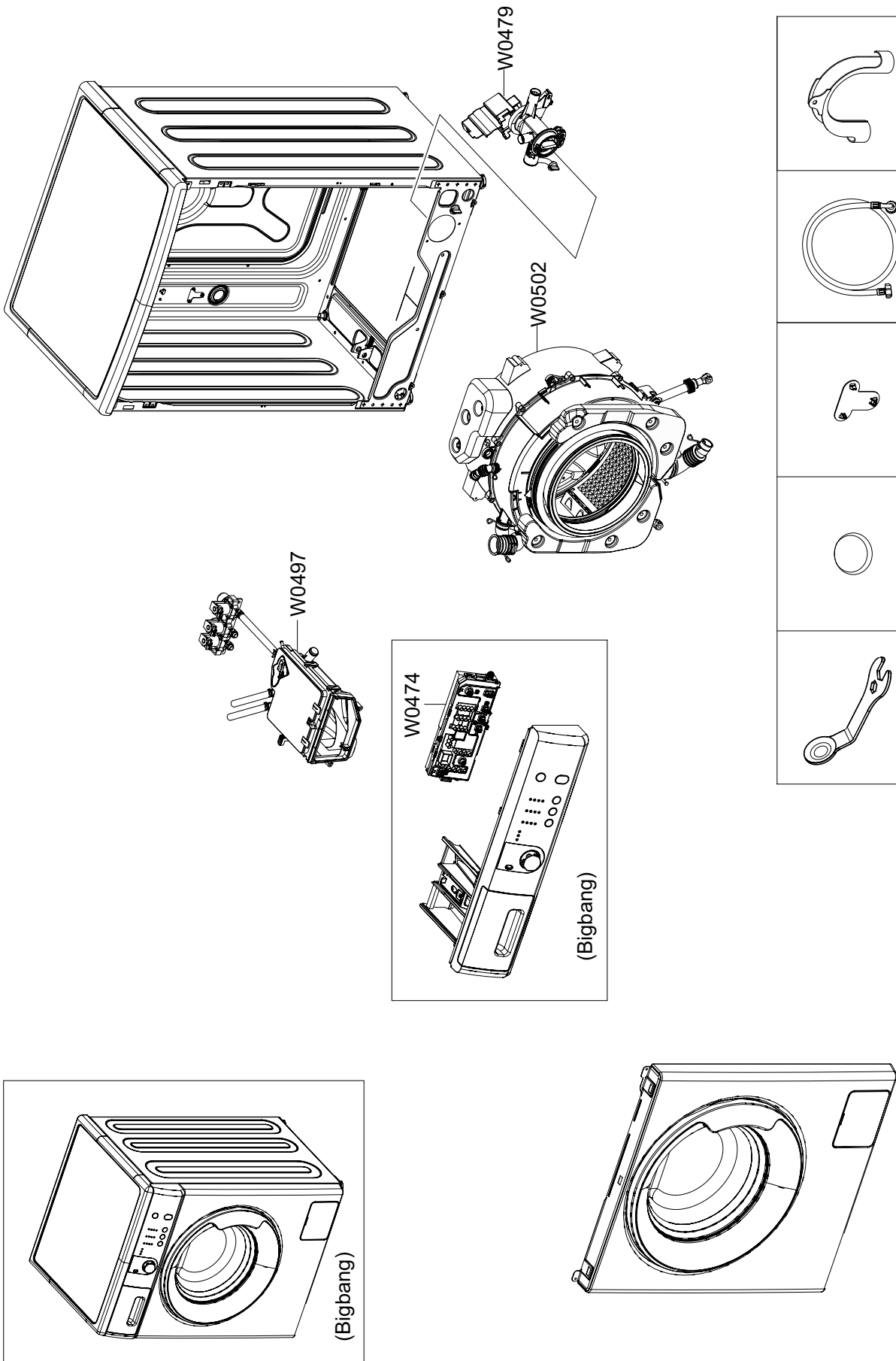


1-1. MAIN

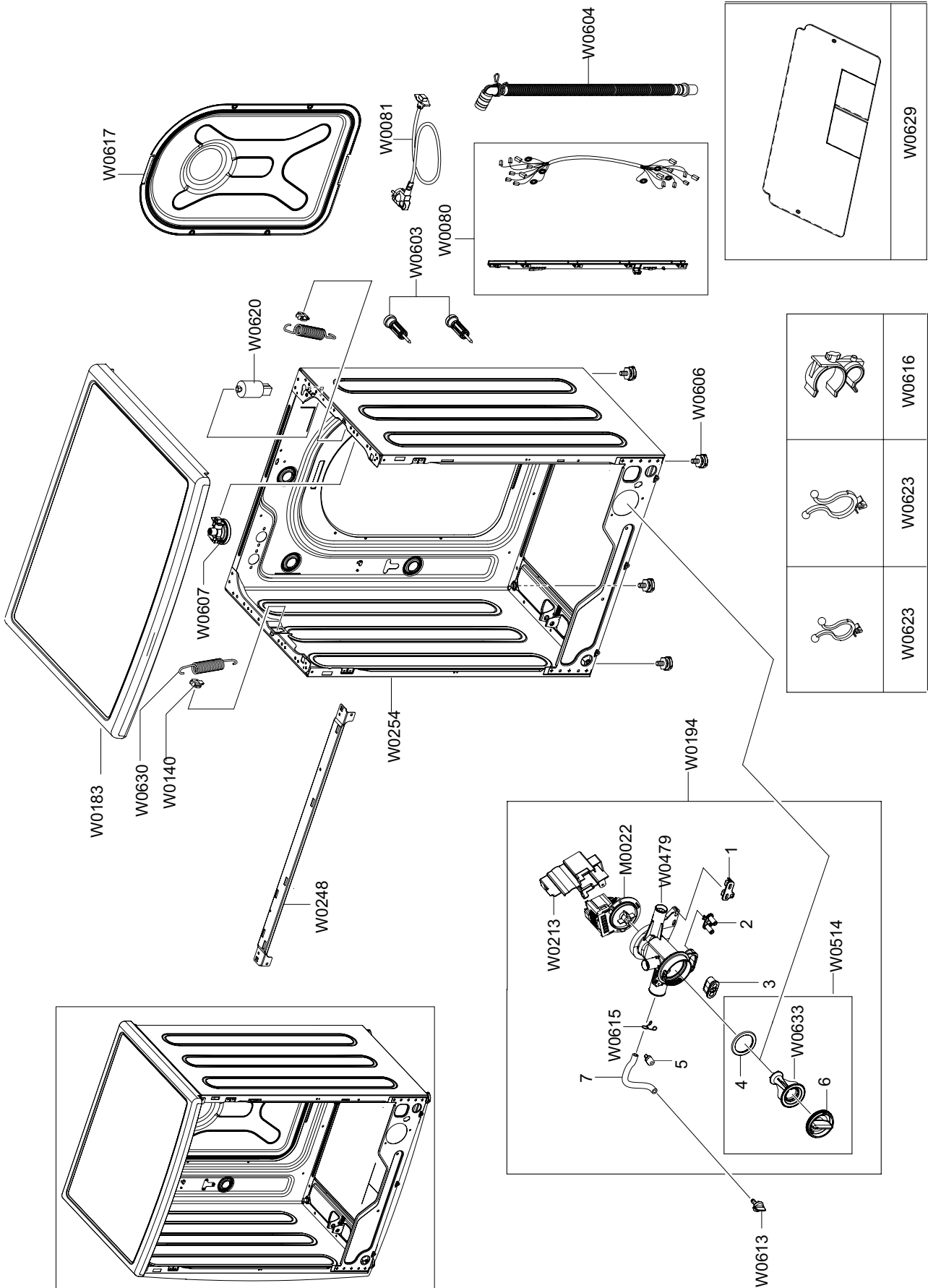


	W0626
	W0627
	W0614
	W0614
	1

MODEL CODE: WF0700NCW/XSGService Bom (**SA**: SERVICE AVAILABLE, **SNA**: SERVICE NOT AVAILABLE)

SVC Code	Code No.	Description	Specification	QTY	Un	SA/SNA
1	DC60-00104A	FASTENER-BOLT	ALL,CR,OD36,2.5,L113.5	1	PC	SA
W0626	DC62-10278A	HOSE HANGER	PUMP MODEL,PP,BLK,RM60 RESIN	1	PC	SA
W0614	DC67-00208B	CAP-FIXER	WF8602NHS/XFA,PP,T1.5,P535-H,B	1	PC	SA
W0614	DC67-00251B	CAP-FIXER	WF8602NHS/XFA,PP,T1.8,OD34.7,B	4	PC	SA
W0470	DC92-00546E	ASSY PCB MAIN	247X197,,WF0700NBW/XET,100	1	PC	SA
W0757	DC97-16921A	ASSY HOSE WATER	HEBA,WF8804,REFLEX,BLUE/	1	PC	SC
W0479	DC61-02173A	CASE PUMP	AEGIS,PP,T3.0,W167,L108,WHT,-	1	PC	SA
W0497	DC97-15234A	ASSY S.HOUSING DRAWER	WF8500NHW,NO-AG+/S	1	PC	SNA
W0502	DC90-08428A	ASSY TUB&DRUM	AEGIS BIGBANG,7KG	1	PC	SNA

1-2. FRAME & COVER PARTS

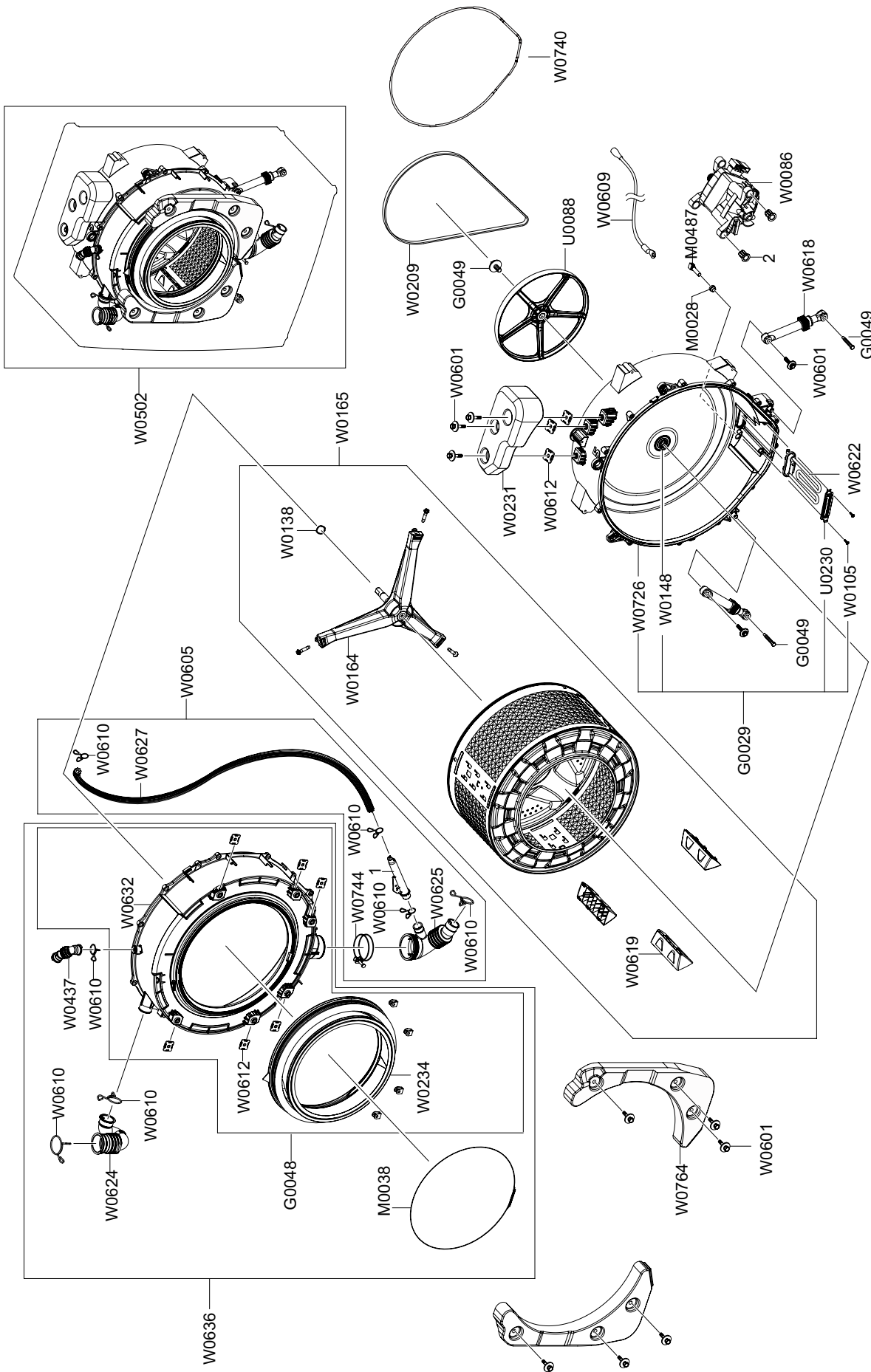


MODEL CODE: WF0700NCW/XSG

Service Bom (SA: SERVICE AVAILABLE, SNA: SERVICE NOT AVAILABLE)

SVC Code	Code No.	Description	Specification	QTY	Un	SA/SNA
W0603	DC98-01189A	ASSY FIXER TUB	Aegis-BB-PJT,WF0702NBE/XE	4	PC	SA
W0617	DC63-01028A	COVER BACK	WF0702NBE/XEU,GI,T0.4,W352,L5	1	PC	SA
W0606	DC97-00920H	ASSY LEG	-,ALL EXCEPT AUSTRALI MODEL,L33	4	PC	SA
W0248	DC61-02119A	FRAME PLATE-UP	WF8600NHW,GI-SGCC,NATURAL	1	PC	SA
W0604	DC97-14291D	ASSY HOSE DRAIN(O)	Aegis-PJT,SSEC,-,L175	1	PC	SA
W0194	DC97-15379D	ASSY PUMP DRAIN	AEGIS-PJT,230V/50Hz.	1	PC	SNA
W0479	DC61-02173A	CASE PUMP	AEGIS,PP,T3.0,W167,L108,WHT,-	1	PC	SA
W0213	DC63-01410A	COVER PUMP	COVER-PUMP,PP,T1.3,W50,L77,V0	1	PC	SNA
M0022	DC31-30008D	PUMP-DRAIN	SW-70XP,220/240V,50Hz,SYNCHRO	1	PC	SA
W0183	DC97-15914F	ASSY COVER TOP	BIGBANG,WF0700NCW/XSG,DA	1	PC	SA
W0607	DC96-01703A	ASSY SENSOR PRESSURE	AEGIS-PJT,-,-,DRUM	1	PC	SA
W0630	DC61-02146A	SPRING ETC-HANGER	AEGIS-PJT,HSWR,CD3.5,I	2	PC	SA
W0615	DC65-00008B	CLAMPER HOSE	SSEC-GE,SK5,ID14.2,ZPC2,T1.	4	PC	SNA
W0615	DC61-00219B	CLAMPER HOSE	SK5,WLSL1100A,ID24 OD26.4,Z	1	PC	SNA
W0081	DC90-11229B	ASSY POWER CORD	BSI,BF3,250V13A,H05VV-F,	1	PC	SA
W0080	DC93-00230A	ASSY M. WIRE HARNESS	AEGIS-BIG BANG,WF07	1	PC	SA
W0620	DC29-00009C	FILTER EMI	DFC-2715R,P/PV/P2,250V,15,PI3	1	PC	SA
W0140	DC61-02140A	GUIDE SPRING	WF8500NMW,POM,T3.5,W24,L40.	2	PC	SNA
W0254	DC97-15930A	ASSY PAINT FRAME	Aegis BigBang,WF0702NBE	1	PC	SA
W0623	DE65-20026A	HOLDER WIRE	PA,NTR,LOCK-TWIST/STAND/Y260	1	PC	SNA
W0623	DC61-40081A	HOLDER WIRE	DAWH-2NC,PA,NTR(PI19.4)	5	PC	SA
W0616	DC61-00118A	CLAMPER HOSE-FIX	P1291,NYLON66,ID27,OD30	1	PC	SA
W0616	DC61-00133A	CLAMPER HOSE-FIX	P1291,PP,ID24.5,OD29.5,	2	PC	SA
W0633	DC63-00865B	FILTER PUMP	AEGIS,PP,NTR	1	PC	SNA
W0629	DC64-01667A	SHUTTER	AEGIS-PJT,PP,T3.0,W440,L200,NATU	1	PC	SA
2-1	DC63-00956A	CUSHION PUMP-LEFT	AEGIS,BUTYL,T2.5,W42,L15	1	PC	SNA
2-2	DC61-02221A	GUIDE CUSHION	AEGIS,FRPP,W20.3,L40.8,NTR	1	PC	SNA
2-3	DC63-00955A	PACKING-PUMP	AEGIS,EPDM,T4,W26.3,L13.2,H	1	PC	SNA
2-4	DC73-00022A	SEAL PACKING	SEW-HVR149ATA,EPDM,BLK,40	1	PC	SA
2-5	DC63-00955A	PACKING-PUMP	AEGIS,EPDM,T4,W26.3,L13.2,H	1	PC	SNA
2-6	DC64-01317A	HANDLE FILTER	HANDLE-FILTER,PP,T2.5,W55,	1	PC	SNA
2-7	DC67-00244M	HOSE DRAIN	AEGIS,EPDM,ID6,OD10,T2.0,L270	1	PC	SNA
2-8	DC61-10673C	CAP DRAIN	WF1802XEY/XSC,FRPP,BLACK	1	PC	SA
W0621	DC61-02120A	FRAME PLATE-LOW	WF8500NMW,GI-SGCC,NATURA	1	PC	SA
W0514	DC97-15789A	ASSY CASE FILTER	AEGIS,WASHER,2 hole,use	1	PC	SA

1-3. ASS'Y TUB DRUM



MODEL CODE: WF0700NCW/XSG

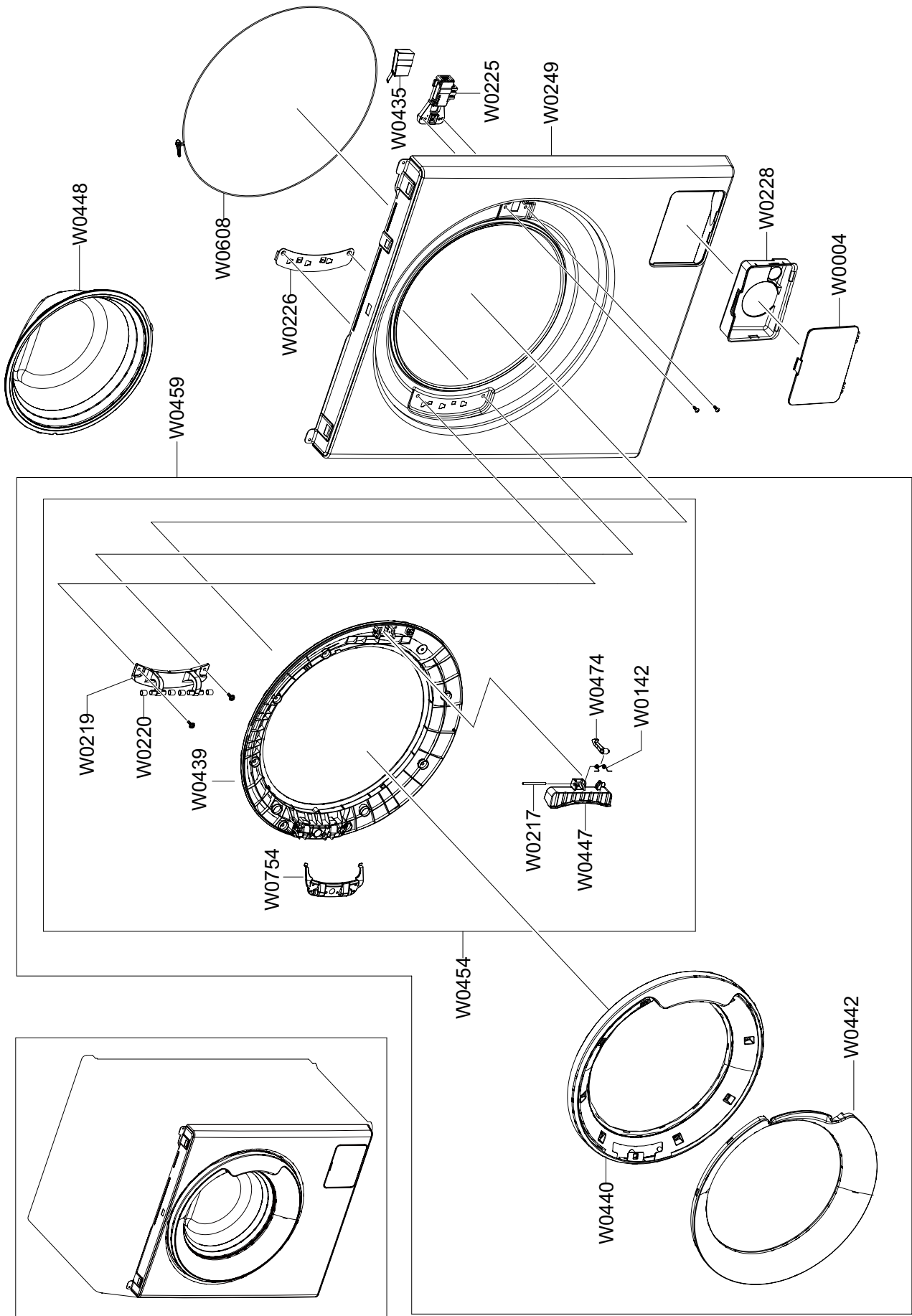
Service Bom (SA: SERVICE AVAILABLE, SNA: SERVICE NOT AVAILABLE)

SVC Code	Code No.	Description	Specification	QTY	Un	SA/SNA
W0725	DC67-00230D	HOSE WATER	AEGIS-PJT,EPDM,ID4.5,OD8,T1.7	1	PC	SNA
W0437	DC67-00355A	HOSE AIR	AEGIS-PJT,EPDM,ID19.4,OD25.6,T1	1	PC	SA
W0605	DC97-14637B	ASSY HOSE PRESSURE	AEGIS-PJT,-,-,-,-,-	1	PC	SA
W0165	DC97-15964B	ASSY DRUM	AEGIS-HOMA,J1253S/HAC,7KG,1200	1	PC	SA
W0619	DC66-00523A	DRUM LIFTER	AEGIS-PJT,PP-TI42,T2.5,L160.	3	PC	SA
W0164	DC97-15963A	ASSY FLANGE SHAFT	AEGIS BIGBANG,WF0702NB	1	PC	SA
W0624	DC67-00334A	HOSE DRAWER TUB	AEGIS-PJT,EPDM,ID35	1	PC	SA
W0148	DC62-00008A	SEAL OIL	NBR,BLK,NBU(PI15)	1	PC	SA
W0622	DC47-00006V	HEATER	SU8E6547-V,-,SUS 316L,2000W,8.26~	1	PC	SA
W0230	DC61-02874A	BRACKET HEATER	WD0704CQR,STAINLESS-ST543	1	PC	SA
W0612	DC61-40348B	BRACKET NUT	P1291,SBHG-R,T3,NO-PAINT	3	PC	SA
G0048	DC97-15413A	ASSY TUB FRONT	AEGIS,WF8600\WF8602,6.0KG	1	PC	SNA
W0234	DC64-01664A	DOOR DIAPHRAGM	AEGIS-PJT,EPDM,T1.5/T3.0,	1	PC	SA
W0632	DC61-02085D	TUB FRONT	AEGIS-PJT,FRPP,OD549,NATURAL,G	1	PC	SNA
W0625	DC67-00335A	HOSE FILTER TUB	AEGIS-PJT,EPDM,ID64.5	1	PC	SA
G0029	DC97-15236A	ASSY SEMI TUB BACK	6KG 1200RPM,AEGIS-PJT	1	PC	SA
W0726	DC61-02087A	TUB BACK	AEGIS 6kg,FRPP,OD545.5,NTR,15%F	1	PC	SNA
W0231	DC67-00483A	WEIGHT BALANCER-UP	AEGIS-PJT,CONCRETE,15	1	PC	SA
W0609	DC93-00015A	ASSY WIRE EARTH	AEGIS,5KG,230V/50HZ,EART	1	PC	SA
W0209	6602-001199	BELT-TIMING GEAR	1275JMA,POLYURETHAN,T3.	1	PC	SA
W0618	DC66-00343H	DAMPER SHOCK	AEGIS-PJT,PP,70N,L197.5,BLK	2	PC	SA
W0088	DC66-00500A	PULLEY MOTOR	HEBA PJT,ALDC12.2,OD296.8,1	1	PC	SA
G0049	DC60-40144A	BOLT HEX	SM10C,L35,ZPC2(YEL),M10,ZPC2(YE	2	PC	SA
G0049	6011-001498	BOLT HEX	M10,L27,ZPC(YEL),SWRCH10AK,WS/N	1	PC	SA
G0049	DC60-40137A	BOLT HEX	MARS-PJT,STS430,M8,P1.25,L30,HE	3	PC	SA
W0086	DC31-00123B	MOTOR UNIVERSAL-DRUM	Welling(UML 5202.01	1	PC	SA
W0764	DC67-00538A	WEIGHT-BALANCER(F/L)	AEGIS-PJT,CONCRETE,	1	PC	SA
W0764	DC67-00539A	WEIGHT-BALANCER(F/R)	AEGIS-PJT,CONCRETE,	1	PC	SA
W0601	DC97-02412P	ASSY BOLT	AEGIS-PJT,ALL MODEL(WEIGHT-BAL	9	PC	SA
W0601	DC97-14263A	ASSY BOLT	HEBA-PJT,MOTOR/BOLT(M8)+WASHER	4	PC	SA
W0610	DC72-00001H	CLIP RING	HEBA-PJT,HSWR,PI3.0,ID35,WHT,H	1	PC	SNA
W0610	DC65-60125B	CLIP RING	HSWR,T2.4,PI25,YEL	2	PC	SNA
W0610	DC65-60118R	CLIP RING	AEGIS-PJT,HSWR,T3.0,ID37,WHT	1	PC	SA
W0610	DC72-00001G	CLIP RING	HEBA-PJT,HSWR,T2.4,ID49.5,W18,	1	PC	SNA
M0005	DC61-70029C	CLIP RING	SEW-HW125,HSWR,CD1.2,ID8.3,O	2	PC	SNA
W0744	DC65-00021A	CLAMPER HOSE-JOINT	HEBA PJT,HSWR,-,ID74/	1	PC	SNA
W0502	DC90-08428A	ASSY TUB&DRUM	AEGIS BIGBANG,7KG	1	PC	SNA

MODEL CODE: WF0700NCW/XSGService Bom (**SA**: SERVICE AVAILABLE, **SNA**: SERVICE NOT AVAILABLE)

SVC Code	Code No.	Description	Specification	QTY	Un	SA/SNA
M0038	DC91-12077G	ASSY CLAMP DIAPHRAGM	AEGIS,WF8500NHW/YLP	1	PC	SA
W0636	DC97-15414A	ASSY SEMI TUB FRONT	AEGIS,WF8600\WF8602,	1	PC	SA
W0138	6031-001632	WASHER-WAVE	SK5(SCP1),H2,ID30,OD33.8,T0.	1	PC	SNA
M0028	DC69-00824A	PACKING-THERMISTOR	GW-PJT,EPDM,EPDM,-,W1	1	PC	SNA
M0487	DC32-00010A	THERMISTOR	-,11982OHM AT 25°C,-,-55~155,-	1	PC	SNA
3-1	DC67-00297A	HOSE JOINT AIR	HEBA&Aegis-PJT,PP,ID22,OD	1	PC	SNA
3-2	DC61-01097A	BUSH MOTOR	PA,NTR,PA66(2110R)	2	PC	SNA
W0740	DC62-40183A	PACKING-TUB	SWF-P12,Rubber,EPDM,BLK	1	PC	SA

1-4. ASS'Y FRAME FRONT

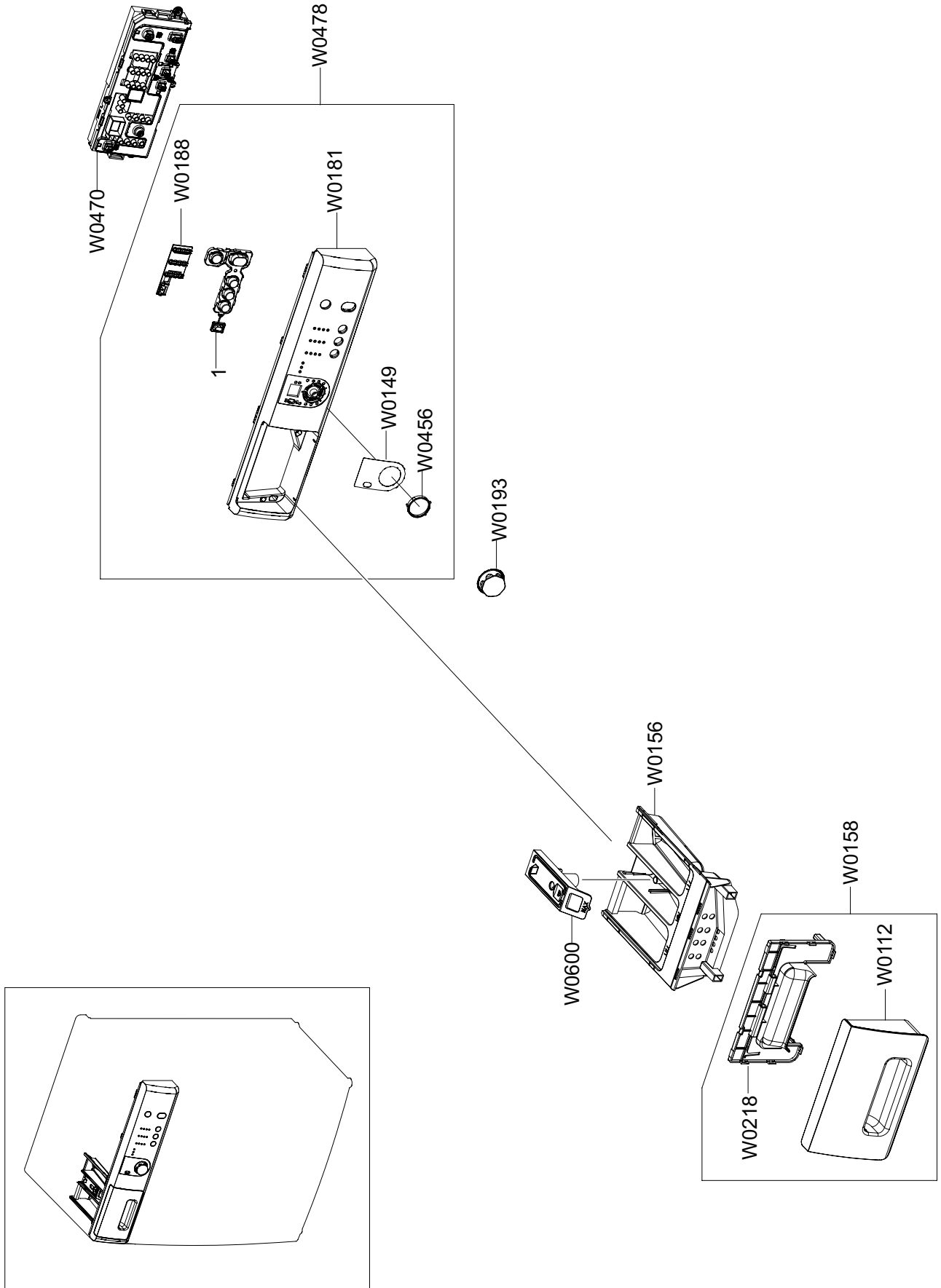


MODEL CODE: WF0700NCW/XSG

Service Bom (SA: SERVICE AVAILABLE, SNA: SERVICE NOT AVAILABLE)

SVC Code	Code No.	Description	Specification	QTY	Un	SA/SNA
W0516	DC63-00921A	COVER-FILTER	WF8500NMW,ABS,T2.0,W115.1,L	1	PC	SA
W0228	DC61-02091B	GUIDE FILTER	WF8500NMW,PP,T2.5,W149.3,L1	1	PC	SA
W0225	DC64-01538A	DOOR-LOCK S/W	ZV-446L5,PA66,T19.5,W95,BL	1	PC	SA
W0459	DC97-15194H	ASSY DOOR	AEGIS-2,WF9592FRW,WHT(1PC)	1	PC	SNA
W0454	DC97-15192C	ASSY HOLDER GLASS	AEGIS-2,WF9592FQW,PP,T	1	PC	SA
W0226	DC61-02184A	BRACKET HINGE	WF8500NHW,GI,T1.4,-,-,-,AE	1	PC	SA
W0754	DC61-02100A	BRACKET HOLDER	WF8500NHW,GI,T1.4,-,-,-,A	1	PC	SNA
W0448	DC64-01790A	DOOR GLASS	AEGIS,GLASS,T5.0,W353.0	1	PC	SA
W0220	DC61-00891A	GUIDE HINGE	HAUZEN(DOM),POM,-,-,-,WHT,HI	2	PC	SA
W0722	DC64-01948A	HANDLE DOOR	WF9604SQR/XSC,POM,T2.0,WHT,A	1	PC	SA
W0217	DC64-00564A	HANDLE PIN	Q1636GW/XEU,STS,-,-,-,-,TS-	1	PC	SA
W0435	DC63-00967A	COVER DOOR SWITCH	AEGIS-PJT/ WF8500NHW,P	1	PC	SA
W0249	DC61-02089A	FRAME FRONT	WF8500NMW,EGI,WHT,T0.8,Aegis	1	PC	SA
W0608	DC91-12078E	ASSY WIRE DIAPHRAGM	AEGIS,WF8500NHW/YLP,	1	PC	SA
W0105	6002-000445	SCREW-TAPPING	TH,+2,M4,L18,PASS,STS304	4	PC	SNA
W0219	DC61-02099A	HINGE DOOR	WF8500NHW,ALDC,T8.0,L155,AEGI	1	PC	SA
W0142	DC61-02098A	SPRING ETC LEVER	WF8500NHW,STAINLESS-STS	1	PC	SA
W0439	DC61-02097A	HOLDER GLASS	WF8500NHW,PP,T3.0,OD459.5,-	1	PC	SNA
W0474	DC66-00519A	LEVER DOOR	WF8500NHW,ZNDC,T5.7,W14,L46,-	1	PC	SA
W0440	DC63-00923A	COVER DOOR	WF8500NMW,ABS,T2.5,OD460,-,-,	1	PC	SC
G0428	DC63-00924A	COVER HANDLE	WF8500NHW,ABS,T2.2,-,L115,-	1	PC	SA

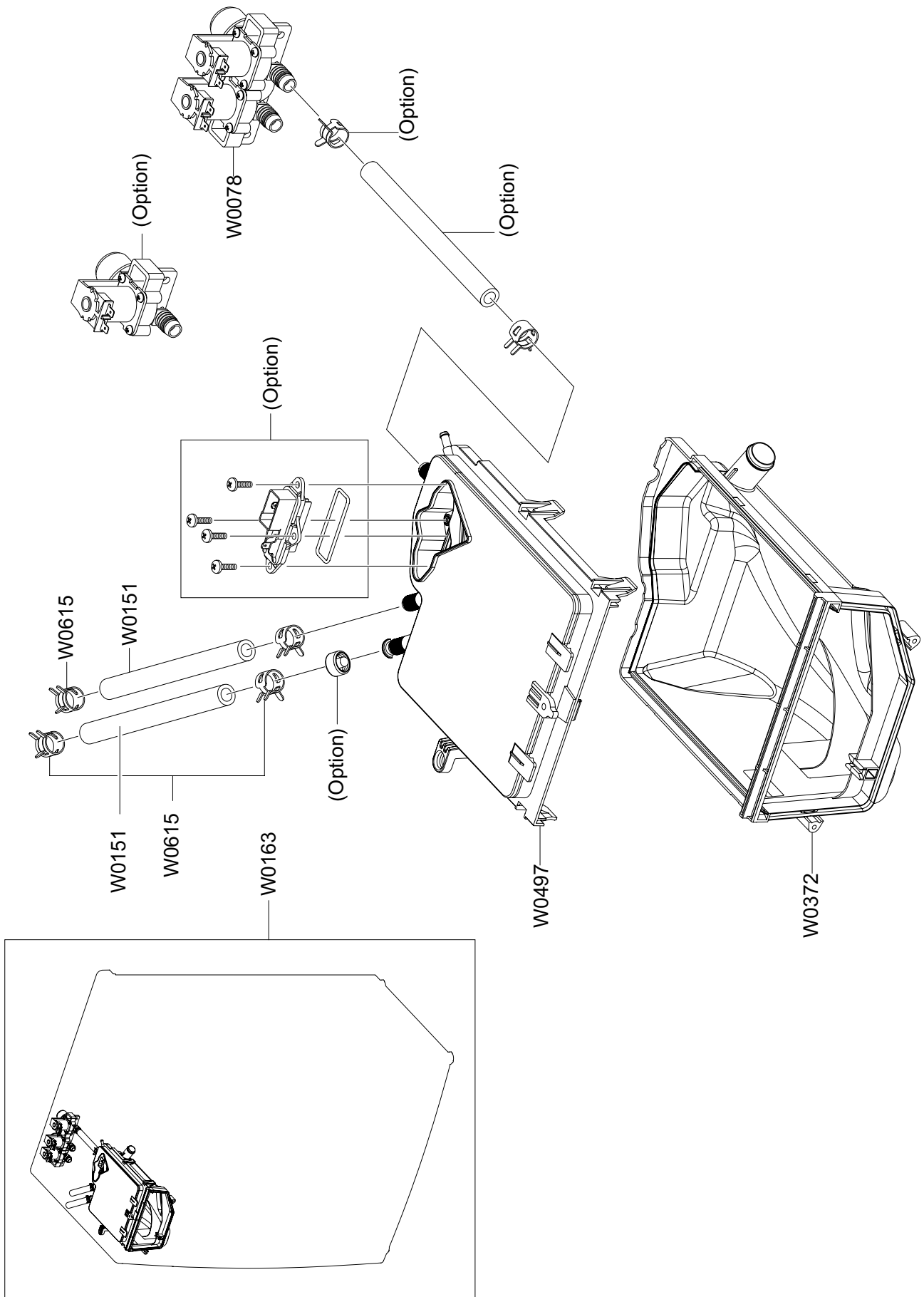
1-5. PANEL-CONTROL & DRAWER



MODEL CODE: WF0700NCW/XSGService Bom (**SA**: SERVICE AVAILABLE, **SNA**: SERVICE NOT AVAILABLE)

SVC Code	Code No.	Description	Specification	QTY	Un	SA/SNA
W0478	DC97-17238A	ASSY PANEL CONTROL	BIGBANG,WF0700NCW/XSG	1	PC	SA
W0470	DC92-00546E	ASSY PCB MAIN	247X197,,WF0700NBW/XET,100	1	PC	SA
W0158	DC97-15913A	ASSY PANEL DRAWER	AEGIS BIG BANG,WF0752N	1	PC	SA
W0600	DC61-02106A	STOPPER DRAWER	WF8500NHW,PP(TB53),T2.0,E	1	PC	SA
W0112	DC64-02083A	PANEL DRAWER	AEGIS BIG-BANG-PJT,ABS,T2.5	1	PC	SNA
W0218	DC64-02084A	HANDLE DRAWER	AEGIS BIG BANG-PJT,ABS,T2.	1	PC	SNA
W0180	DC64-02103A	PANEL CONTROL	AEGIS-BIGBANG,ABS,T2.5,DA	1	PC	SNA
W0149	DC64-02109A	INLAY PANEL	AEGIS-BIGBANG,PC,T0.5,DA SIL	1	PC	SA
W0456	DC64-02108A	DECORATION ENCODER	AEGIS-BIGBANG,ABS,BLA	1	PC	SNA
W0193	DC64-02110A	KNOB ENCODER	AEGIS-BIGBANG,ABS,DA WHITE	1	PC	SA
W0188	DC64-02105A	DECORATION LED	AEGIS-BIGBANG,ABS,CLEAR	1	PC	SNA
5-1	DC64-02104A	BUTTON PUSH	AEGIS-BIGBANG,ABS,DA WHITE	1	PC	SNA

1-6. ASS'Y HOUSING DRAWER



MODEL CODE: WF0700NCW/XSGService Bom (**SA**: SERVICE AVAILABLE, **SNA**: SERVICE NOT AVAILABLE)

SVC Code	Code No.	Description	Specification	QTY	Un	SA/SNA
W0163	DC97-15204L	ASSY HOUSING DRAWER	AEGIS BIGBANG,WF0702	1	PC	SA
W0156	DC61-02107A	BODY DRAWER	WF8500NHW,PP,T2.0,-,-,-,AE	1	PC	SA
W0151	DC67-00051F	HOSE DRAWER	WF8502NHW,EPDM,ID9.0,OD14.5,	0.4	M	SNA
W0615	DC65-00008B	CLAMPER HOSE	SSEC-GE,SK5,ID14.2,ZPC2,T1.	4	PC	SNA
W0078	DC62-00024F	VALVE WATER	B1215J,NYLON66/250TRMN,NTR,2	1	PC	SA
W0497	DC97-15234A	ASSY S.HOUSING DRAWER	WF8500NHW,NO-AG+/S	1	PC	SNA
W0372	DC61-02105A	HOUSING DRAWER-LOW	WF8500NHW,PP(TB53),T1.	1	PC	SNA

1-7. PARTS LIST (OTHERS PARTS)

MODEL CODE: WF0700NCW/XSG

Service Bom (**SA**: SERVICE AVAILABLE, **SNA**: SERVICE NOT AVAILABLE)

SVC Code	Code No.	Description	Specification	QTY	Un	SA/SNA
W0736	DC97-15190A	ASSY HOUSING BEARING	AEGIS-PJT,1200RPM/6	1	PC	SA
W0460	DC69-01973A	CUSHION-TOP	Aegis-BB-PJT_7kg,EPS,W450,L5	1	PC	SA
W0493	DC98-01429A	ASSY CUSHION BOTTOM	Bigbang-PJT_7kg,EPS,	1	PC	SA
W0110	DC60-60044B	WASHER PLAIN	SBC,ID8.4/OD30,T2.0	4	PC	SA

1-8. PARTS LIST (SCREW PARTS)

MODEL CODE: WF0700NCW/XSG

Service Bom (SA: SERVICE AVAILABLE, SNA: SERVICE NOT AVAILABLE)

SVC Code	Code No.	Description	Specification	QTY	Un	SA/SNA
W0105	6002-000520	SCREW-TAPPING	TH,+,-,2,M4,L12,ZPC(WHT),S	4	PC	SNA
W0105	6006-001174	SCREW-TAPPING	TH,+WE,2S,M4,L12,ZPC(WHT)	5	PC	SNA
M0030	DC97-15633A	ASSY SCREW	TH,ZPC	2	PC	SNA
W0105	6002-001327	SCREW-TAPPING	PWH,+1,M4,L12,ZPC(WHT),SW	2	PC	SNA
W0105	6006-001174	SCREW-TAPPING	TH,+WE,2S,M4,L12,ZPC(WHT)	2	PC	SNA
W0105	DE60-10080A	SCREW-TAPPING	PWH,+,-,2S,M5,L9,-,SWRCH18	2	PC	SNA
F0056	6003-001768	SCREW-TAPTYPE	TH,+WT,S,M4,L10,ZPC(WHT),	3	PC	SNA
W0105	6002-000520	SCREW-TAPPING	TH,+,-,2,M4,L12,ZPC(WHT),S	1	PC	SNA
G0425	6009-001367	SCREW-HEX	HWH,+,-,M6.5,L32,ZPC(WHT),SWRC	14	PC	SNA
W0105	6002-001006	SCREW-TAPPING	TH,+,-,2S,M4,L12,PASS,STS4	2	PC	SNA
F0056	6003-001768	SCREW-TAPTYPE	TH,+WT,S,M4,L10,ZPC(WHT),	1	PC	SNA
W0105	6002-000445	SCREW-TAPPING	TH,+NO,2,M4,L18,PASS,STS4	1	PC	SNA
W0085	6001-001773	SCREW-MACHINE	TH,+,-,M5,L12,PASS,STS430,	2	PC	SA
W0105	6002-000520	SCREW-TAPPING	TH,+,-,2,M4,L12,ZPC(WHT),S	4	PC	SNA
	6002-001554	SCREW-TAPPING	TH,+No,1,M4,L12,STS430,HE	2	PC	SNA
	6002-000440	SCREW-TAPPING	PWH,+2,M3,L8,ZPC(BLK),SWR	2	PC	SNA
G0010	6003-000269	SCREW-TAPTYPE	BH,+,-,S,M3,L6,ZPC(WHT),SW	2	PC	SNA
W0105	6002-001436	SCREW-TAPPING	PH,+2,M4,L18,ZPC(WHT),SWR	3	PC	SNA
	6002-001554	SCREW-TAPPING	TH,+No,1,M4,L12,STS430,HE	8	PC	SNA
W0105	6002-000445	SCREW-TAPPING	TH,+NO,2,M4,L18,PASS,STS4	4	PC	SNA
W0105	6002-000520	SCREW-TAPPING	TH,+,-,2,M4,L12,ZPC(WHT),S	1	PC	SNA
W0105	6002-001327	SCREW-TAPPING	PWH,+1,M4,L12,ZPC(WHT),SW	2	PC	SNA
	6003-001563	SCREW-TAPTYPE	TH,+S,M4,L8,NI PLT,SWRCH1	2	PC	SNA
W0105	6006-001174	SCREW-TAPPING	TH,+WE,2S,M4,L12,ZPC(WHT)	5	PC	SNA
W0102	6009-001343	SCREW-SPECIAL	PH,TORX,M4,L12,ZPC(WHT),SW	1	PC	SNA
W0105	6002-001436	SCREW-TAPPING	PH,+2,M4,L18,ZPC(WHT),SWR	3	PC	SNA