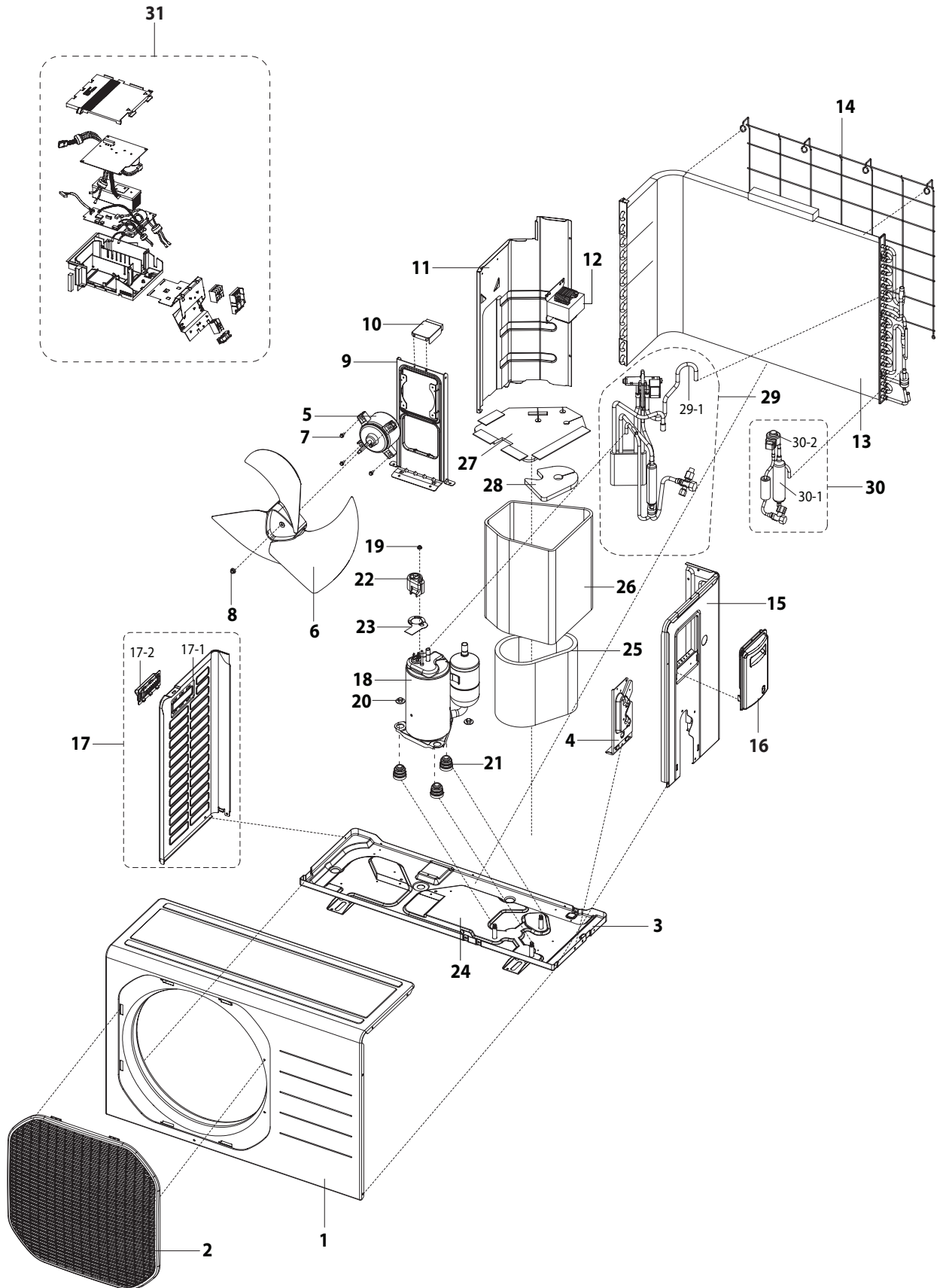


# 5-2 Outdoor Unit

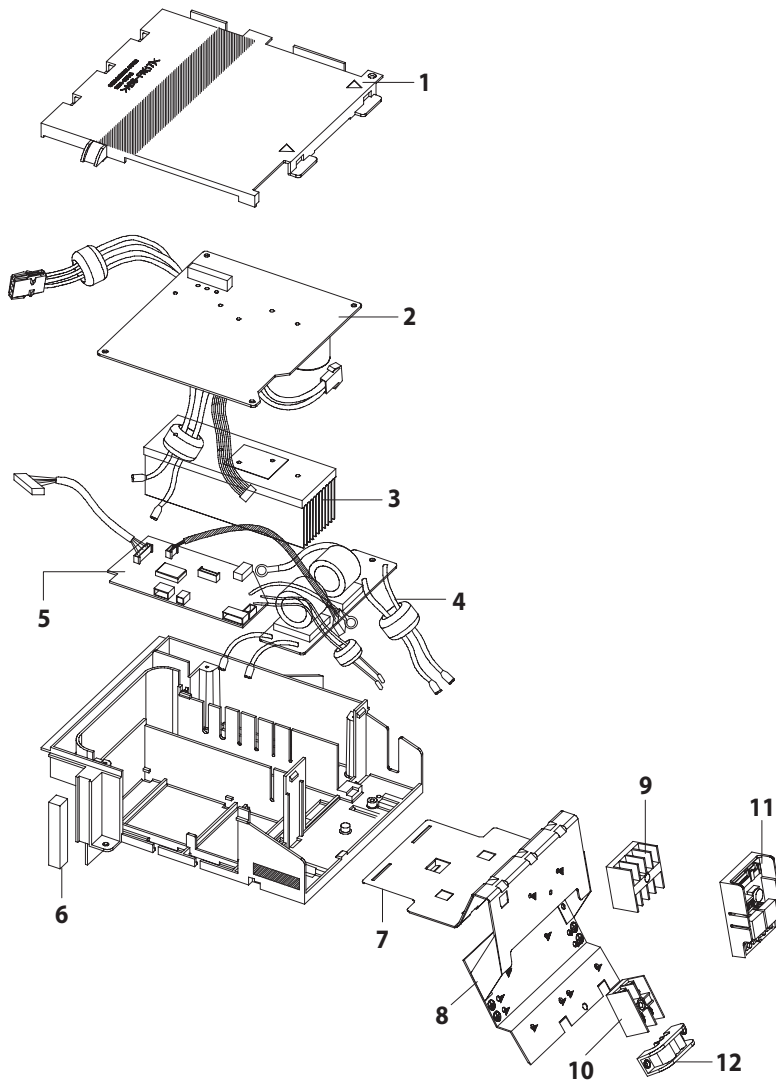
■ UH026/035EAV1



## ■ Parts List

No.	Code No.	Description	Specification	QTY		SA/SNA
				UH026EAV1	UH035EAV1	
1	DB90-01711F	ASS'Y CABI FRONT	ASS'Y	1	1	SA
2	DB63-00847A	GUARD FAN	PP	1	1	SA
3	DB90-01681E	ASS'Y BASE OUT	ASS'Y	1	1	SA
4	DB61-02068B	BRACKET-VALVE	PSECC-PT1.6	1	1	SA
5	DB31-00431A	MOTOR FAN-BLDC	BLDC,8P,25W,710RPM,E CLASS	1	1	SA
6	DB67-00397A	FAN-PROPELLER	AS+GF20%,Ø400	1	1	SA
7	DB60-00150A	SCREW SPECIAL	M4,L26	4	4	SA
8	DB60-30004A	SCREW-MACHINE	M6,ZPC(WHT)	1	1	SA
9	DB61-01644A	BRACKET MOTOR	SGCC-M	1	1	SA
10	DB97-02225D	ASS'Y-SUPPORT PLATE B/M	ASS'Y	1	1	SA
11	DB94-01327A	ASS'Y-PARTITION	ASS'Y	1	1	SA
12	DB27-00041A	COIL CHOKE-REACTOR	5mH,10%-,120mOHM,10A	1	1	SA
13	DB96-08373A	ASS'Y COND	ASS'Y	1	1	SA
14	DB64-02028A	SCREEN-COND BAR	HSWR	1	1	SA
15	DB90-04025A	ASS'Y CABINET-SIDE RH	ASS'Y	1	1	SA
16	DB90-03653A	ASS'Y COVER CONTROL	ASS'Y	1	1	SA
17	DB90-01713A	ASS'Y-CABI SIDE LF	ASS'Y	1	1	SA
17-1	DB64-00982A	CABINET-SIDE LF	SECC-P	1	1	SA
17-2	DB64-00992A	HANDLE-LF	PP	1	1	SA
18	G4C090LUDER	COMPRESSOR	ROTARY	1	1	SA
19	6021-001142	NUT-HEXAGON FLANGE	M5,ZPC(YEL)	1	1	SA
20	DB60-30028A	SCREW-HEX	M8,ZPC(WHT)	3	3	SA
21	DB99-00987A	ASS'Y GROMMET	ASS'Y	3	3	SA
22	DB63-00816A	COVER TERMINAL	NORYL	1	1	SA
23	DB63-00817A	GASKET	EPDM RUBBER	1	1	SA
24	DB63-01958A	FELT-COMP BOTTOM	FELT+PVC	1	1	SA
25	DB63-01647A	FELT-COMP SIDE	FELT+PVC	1	1	SA
26	DB63-01934A	FELT-COMP SIDE OUT	FELT+PVC	1	1	SA
27	DB63-02034A	FELT-COMP UPPER	FELT+PVC	1	1	SA
28	DB63-01710B	FELT-COMP UPPER	FELT+PVC	1	1	SA
29	DB96-08389A	ASS'Y-VALVE 4WAY	ASS'Y	1	1	SA
29-1	DB33-00002C	SOLENOID-ASS'Y	ASS'Y	1	1	SA
30	DB96-08390A	ASS'Y-VALVE EEV	ASS'Y	1	1	SA
30-1	DB62-03916A	VALVE-EXPANSION BODY	FUJIKOKI,Ø1.4	1	1	SNA
30-2	DB62-03964A	VALVE EXPAN-COIL	FUJIKOKI,Ø1.4	1	1	SNA
31	DB93-05837B	ASS'Y CONTROL OUT	ASS'Y,UH026EAV1	1	-	SA
	DB93-05837A	ASS'Y CONTROL OUT	ASS'Y,UH026EAV1	-	1	SA

## 5-3 Ass'y Control Out



### Parts List

No.	Code No.	Description	Specification	Q'TY		SA/SNA
				UH026EAV1	UH035EAV1	
1	DB61-02249A	CASE CONTROL-COVER	ABSV0,2,0	1	1	SA
2	DB93-05834A	ASS'Y PCB MAIN-INVERTER	ASS'Y, UH035EAV1	-	1	SA
	DB93-05834B	ASS'Y PCB MAIN-INVERTER	ASS'Y, UH026EAV1	1	-	SA
3	DB62-03155A	HEAT SINK	KFR-35(25)GW/GPI,AL,2,50,140	1	1	SA
4	DB93-05836A	ASS'Y PCB SUB-EMI	ASS'Y	1	1	SA
5	DB93-06291B	ASS'Y PCB MAIN-OUT	ASS'Y	1	1	SA
6	DB61-02250A	CASE CONTROL-BASE	ABSV0,2,0	1	1	SA
7	DB70-00728A	PLATE-CONTROL OUT UPPER	SGCC-M,T0.6,W140,L130	1	1	SA
8	DB70-00727A	PLATE-CONTROL OUT MAIN	SGCC-M,T0.6,W52.4,L131.4	1	1	SA
9	DB95-01101H	ASS'Y-TERMINAL BLOCK	300V, 25A, 4P	1	1	SA
10	DB95-01180A	ASS'Y-TERMINAL BLOCK	250V,25A,2P	1	1	SA
11	DB93-05955A	ASS'Y PCB SUB-DISPLAY	ASS'Y	1	1	SA
12	DB61-01097A	HOLDER-WIRE CLAMP	ABS,BLK	2	2	SA