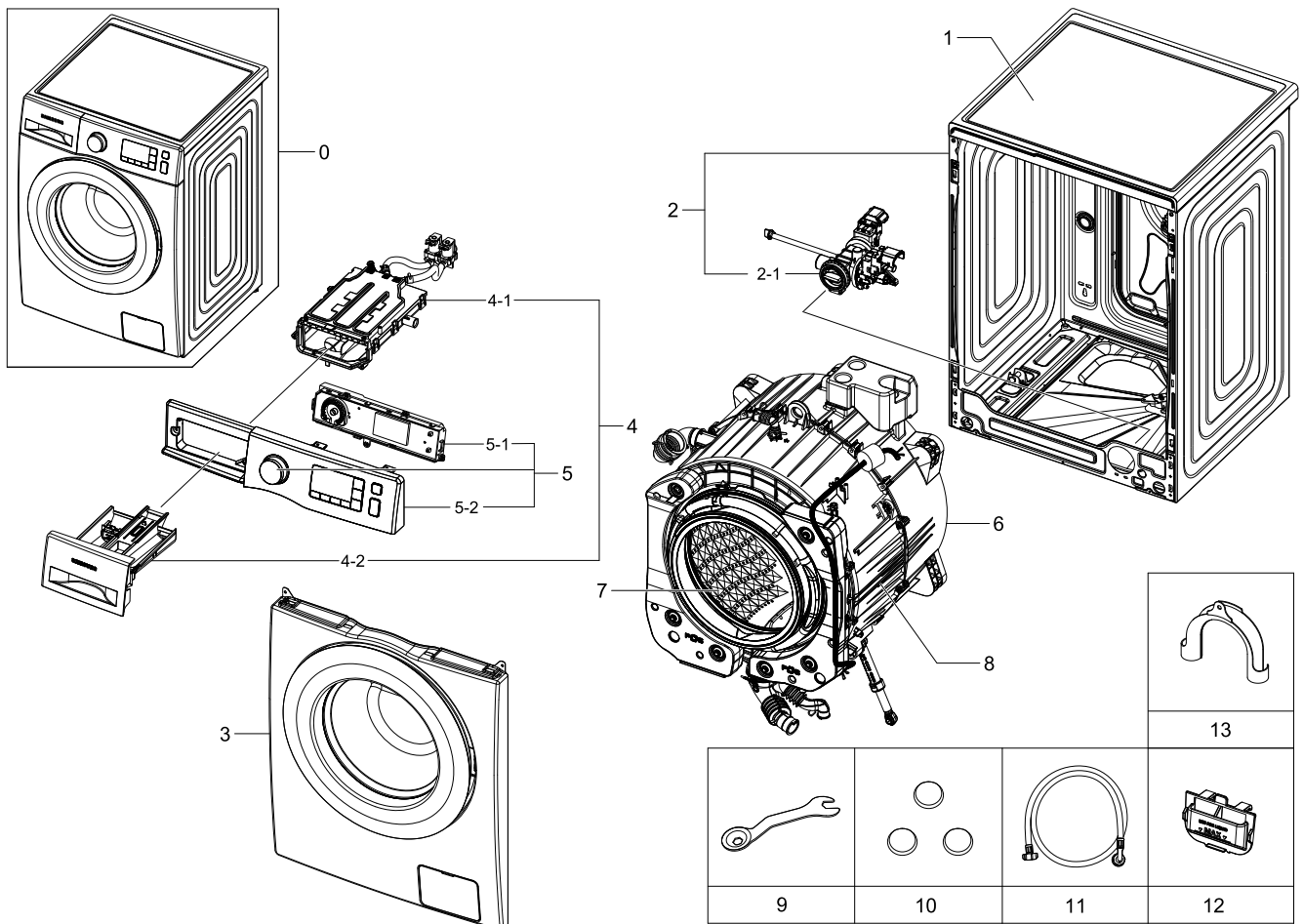


# 1. WF90F5E5U4W/EC

## Exploded View



## Parts List

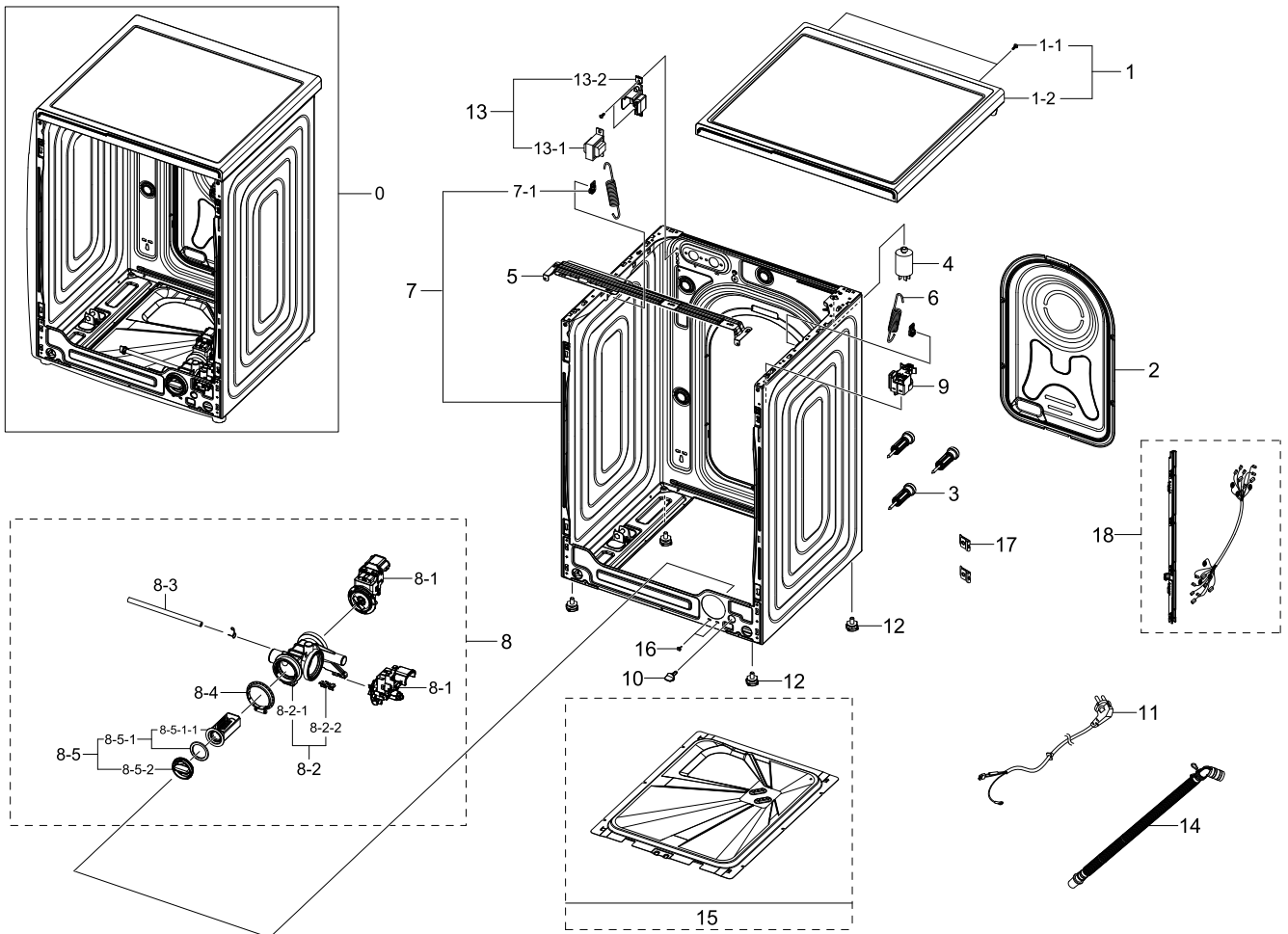
| No. | Lvl. | Loc.  | Material Code | Description & Specification                  | SNA | Qty. |
|-----|------|-------|---------------|--|-----|------|
| 1   | 1    | W0183 | DC90-22242A   | ASSY COVER TOP; F500E,J3 8kg                 | SNA | 1    |
| 2   | 1    | W0506 | DC90-22769A   | ASSY FRAME; F500E,WF90F5E5U4W/AH             | SNA | 1    |
| 2-1 | 2    | W0194 | DC97-17336C   | ASSY PUMP DRAIN;<br>WW6500K,WW80K6414QW,AL-P | SA  | 1    |
| 3   | 1    |       | DC90-21242A   | ASSY FRONT; F500E,WF70F5E2U2W/EC             | SNA | 1    |
| 4   | 1    | W0216 | DC90-12367A   | ASSY DRAWER; F500E,WF80F5E5U4W/EF            | SNA | 1    |
| 4-1 | 2    | W0163 | DC97-17311A   | ASSY HOUSING DRAWER;<br>F500E,WF80F50FU4W,PP | SA  | 1    |
| 4-2 | 2    | W0216 | DC97-17310A   | ASSY DRAWER; F500E,WF80F50FU4W,8kg,<br>DA WH | SA  | 1    |
| 5   | 1    | W0478 | DC90-17372A   | ASSY PANEL CONTROL;<br>F500,WF90F5E5U4W/EC   | SNA | 1    |
| 5-1 | 2    |       | DC94-06066A   | ASSY PCB EEPROM;<br>02A0,FWM_INV_F500E,BEST, | SA  | 1    |

Exploded Views and Parts List

| No. | Lvl. | Loc.   | Material Code | Description & Specification                  | SNA | Qty. |
|-----|------|--------|---------------|--|-----|------|
| 5-2 | 2    | W0478  | DC97-18431J   | ASSY PANEL CONTROL;<br>WF90F5E5U4W/EC,SPANIS | SA  | 1    |
| 6   | 1    | W0501  | DC90-17261A   | ASSY TUB BACK; DIM,CERAMIC                   | SNA | 1    |
| 7   | 1    | W0165  | DC90-12363A   | ASSY DRUM; F500E,WF80F5E5U4W/EF              | SNA | 1    |
| 8   | 1    | G0048  | DC90-22626A   | ASSY TUB FRONT; F500E,Bubble,Polyone TPE     | SNA | 1    |
| 9   | 2    | WJ5077 | DC60-40146A   | BOLT SPANER; CR-SPCC,T2.5                    | SA  | 1    |
| 10  | 2    | W0614  | DC67-00307A   | CAP-FIXER;<br>WF438AAC/XAA,PP,T1.5,RECYCLE,B | SC  | 3    |
| 11  | 2    | W0757  | DC97-17845A   | ASSY HOSE WATER; COLD,ALL MODEL              | SA  | 1    |
| 12  | 2    |        | DC61-03510A   | GUIDE LIQUID; WF-F500E,PP,MT43,Honesty Bl    | SA  | 1    |
| 13  | 2    | W0626  | DC67-00357A   | HOSE-HANGER; SEM,PP,ID24.13,-,T2.0,-,GRY,    | SNA | 1    |

## 2. Assy Frame&Cover Parts

### Exploded View



### Parts List

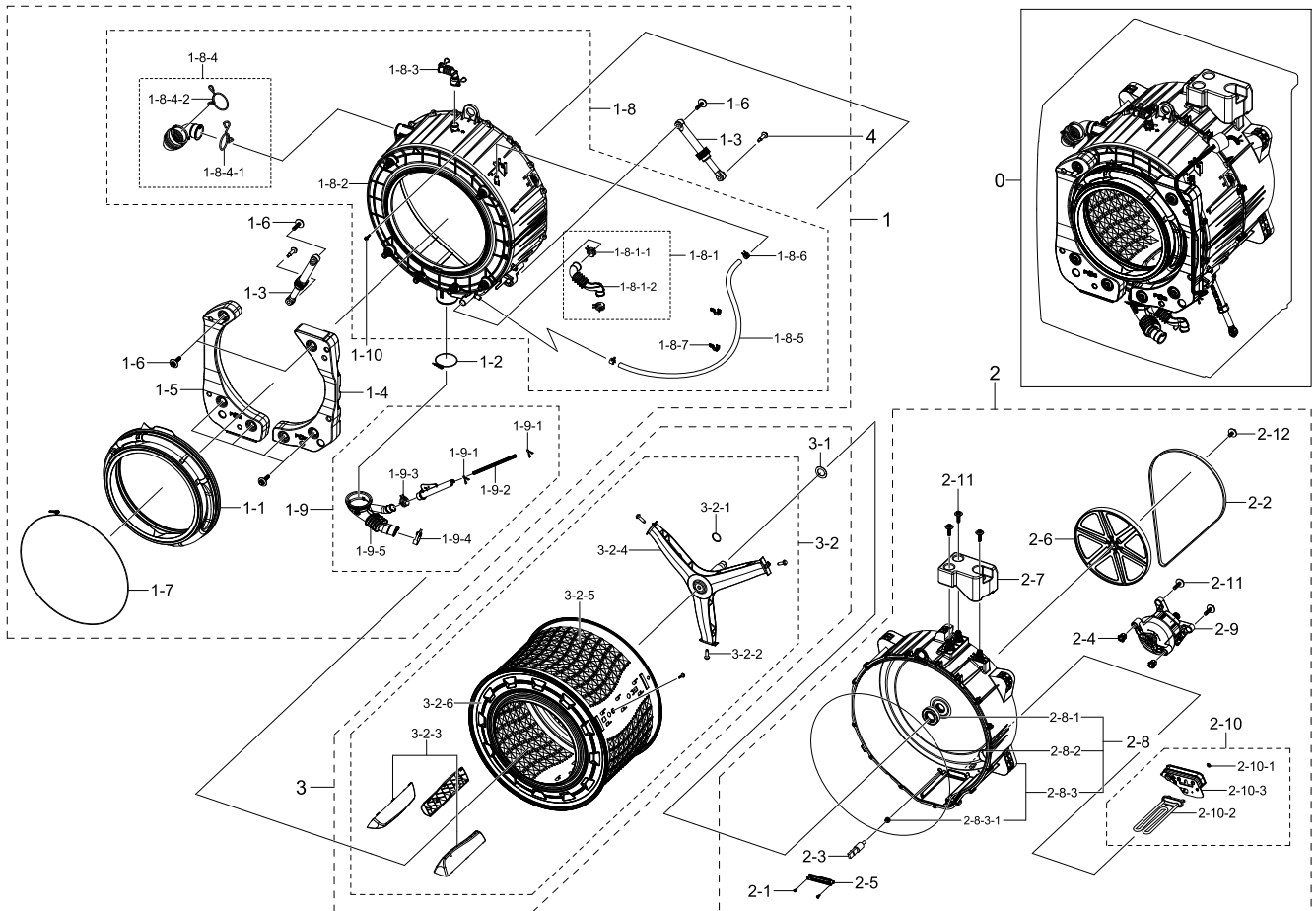
| No. | Lvl. | Loc.  | Material Code | Description & Specification                  | SNA | Qty. |
|-----|------|-------|---------------|--|-----|------|
| 1   | 1    | W0183 | DC90-22242A   | ASSY COVER TOP; F500E,J3 8kg                 | SNA | 1    |
| 1-1 | 2    | G0412 | 6002-000613   | SCREW-TAPPING;<br>TH,+,-,2,M5,L16,ZPC(WHT),S | SNA | 2    |
| 1-2 | 2    | W0183 | DC97-18770G   | ASSY COVER TOP; WW6000J,DA<br>WHITE,WT0035   | SA  | 1    |
| 2   | 2    |       | DC63-01034C   | COVER BACK; GI-SGCC,T0.35                    | SA  | 1    |
| 3   | 2    | W0603 | DC97-14653C   | ASSY FIXER TUB; SCOUT,WF0804Y8E/XEF          | SA  | 3    |
| 4   | 2    | W0620 | DC29-00015G   | FILTER EMI; LFT-215G,300Khz,VDE, KS,6.5mH    | SA  | 1    |
| 5   | 2    | W0248 | DC61-03467A   | FRAME PLATE-UP;<br>WF-F500E,GI-SGCC,-,-,T1.0 | SA  | 1    |
| 6   | 2    | W0630 | DC61-02146B   | SPRING ETC-HANGER; F500E<br>PJT,HSWR,CD3.5,O | SA  | 2    |
| 7   | 2    | W0506 | DC97-17325A   | ASSY FRAME; F500E,WF80F5E5U4W/EF             | SA  | 1    |

## Exploded Views and Parts List

| No.     | Lvl. | Loc.   | Material Code | Description & Specification                  | SNA | Qty. |
|---------|------|--------|---------------|--|-----|------|
| 7-1     | 3    | WI0266 | DC61-02065A   | GUIDE SPRING;<br>WF448AAG/XXA,POM,T4,W24,L36 | SA  | 2    |
| 8       | 2    | W0194  | DC97-17336C   | ASSY PUMP DRAIN;<br>WW6500K,WW80K6414QW,AL-P | SA  | 1    |
| 8-1     | 3    |        | DC31-00181A   | MOTOR AC PUMP;<br>B15-6A/S3019/S3032/PX2025- | SA  | 2    |
| 8-2     | 3    | W0514  | DC97-19376A   | ASSY CASE FILTER;<br>F500E,WF80F5E5U4W/EF,BU | SA  | 1    |
| 8-2-1   | 4    | W0479  | DC61-02271B   | CASE PUMP;<br>WF0804Y8E/XEF,PP,T2.5,W153.6,L | SA  | 1    |
| 8-2-2   | 4    | WO0031 | DC63-00905A   | CUSHION PUMP;<br>WF8802DPF/XET,NBR,-,W37.6,L | SA  | 1    |
| 8-3     | 3    | U2015  | DC67-00244C   | HOSE DRAIN;<br>WF0804Y8E,EPDM,ID6,OD11,T2.5, | SA  | 1    |
| 8-4     | 3    |        | DC69-01128A   | PACKING-PUMP;<br>WF8804DP,IIR,BUTYL,T2.5,HEB | SA  | 1    |
| 8-5     | 3    | G0050  | DC97-15695A   | ASSY FILTER;<br>GRIFFIN-PJT,WF9804RWE,PP+EPD | SA  | 1    |
| 8-5-1   | 4    |        | DC97-19203A   | ASSY SEMI FILTER; F500/400, WW6000/3000,B    | SNA | 1    |
| 8-5-1-1 | 5    | W0633  | DC63-00998A   | FILTER PUMP; SCOUT-PJT,PP,-,NEAT<br>WHITE,BU | SA  | 1    |
| 8-5-2   | 4    | WI0357 | DC64-01317A   | HANDLE FILTER; PP,FC2210,NTR/BLACK           | SA  | 1    |
| 9       | 2    | H2050  | DC96-01703G   | SENSOR PRESSURE; Air,5,-,400mmH20,-          | SA  | 1    |
| 10      | 2    | WI0107 | DC61-10673A   | CAP DRAIN; -,PP,-,-,-,-,CNTK-P-101,-,-,      | SA  | 1    |
| 11      | 2    | W0467  | DC96-00146H   | CBF-POWER CORD;<br>AT,EUROPE,EU3F,Gray,1500, | SA  | 1    |
| 12      | 2    | W0606  | DC97-00920U   | ASSY LEG;<br>F500E,WF80F5E5U4W/EF,H33.5,P1.5 | SA  | 4    |
| 13      | 2    |        | DC93-00346A   | ASSY TRANS REACTORV;<br>F500E,220V/50Hz,220~ | SA  | 1    |
| 13-1    | 3    |        | DC26-00009P   | COIL HARMONIC; 8.5mH, 15%,EI 48mm<br>S-30NA  | SA  | 1    |
| 13-2    | 3    |        | DC61-03540A   | BRACKET REACTOR;<br>F500E,PP,T2.0,NATURAL,N/ | SA  | 1    |
| 14      | 2    | W0604  | DC97-16240F   | ASSY HOSE DRAIN(O); F500E,WF80F5E5U4W        | SA  | 1    |
| 15      | 2    | W0462  | DC61-03478A   | COVER-BOTTOM; WF-F500E,GI-SGCC,T0.4          | SA  | 1    |
| 16      | 2    | M0030  | DC97-14006A   | ASSY SCREW; WF203,M4/L16                     | SA  | 2    |
| 17      | 2    |        | DD61-00140A   | BRACKET-TAPPING;<br>SDW-T120B,SK5,T0.6,BLK,C | SNA | 2    |
| 18      | 2    |        | DC93-00354E   | ASSY WIRE HARNESS-MAIN;<br>DRUM-M,F500E,N,2  | SA  | 1    |

## 3. Assy Tub&Drum

### Exploded View



### Parts List

| No. | Lvl. | Loc.  | Material Code | Description & Specification                  | SNA | Qty. |
|-----|------|-------|---------------|--|-----|------|
| 1   | 1    | G0048 | DC90-22626A   | ASSY TUB FRONT; F500E,Bubble,Polyone TPE     | SNA | 1    |
| 1-1 | 2    | W0234 | DC64-02888A   | DOOR DIAPHRAGM;<br>WF80F5E5U4W,TPE,T2.4,H80. | SA  | 1    |
| 1-2 | 2    | W0744 | DC65-00021A   | CLAMPER HOSE-JOINT; HEBA<br>PJT,HSWR-SWRH,ID | SA  | 1    |
| 1-3 | 2    | W0618 | DC66-00531C   | DAMPER SHOCK; HEBA,PP,WHITE,80<br>20N,LONG   | SA  | 2    |
| 1-4 | 2    | W0232 | DC67-00681A   | WEIGHT BALANCER-RIGHT;<br>F500,CONCRETE,NATU | SA  | 1    |
| 1-5 | 2    | W0233 | DC67-00682A   | WEIGHT BALANCER-LEFT;<br>F500,CONCRETE,NATUR | SA  | 1    |
| 1-6 | 2    | W0601 | DC97-14263A   | ASSY BOLT;<br>MOTOR/BOLT(M8)+WASHER(OD27.5), | SA  | 8    |
| 1-7 | 2    | M0038 | DC97-14618A   | ASSY CLAMP DIAPHRAGM;<br>WF8804DP,OD2.0/L124 | SA  | 1    |

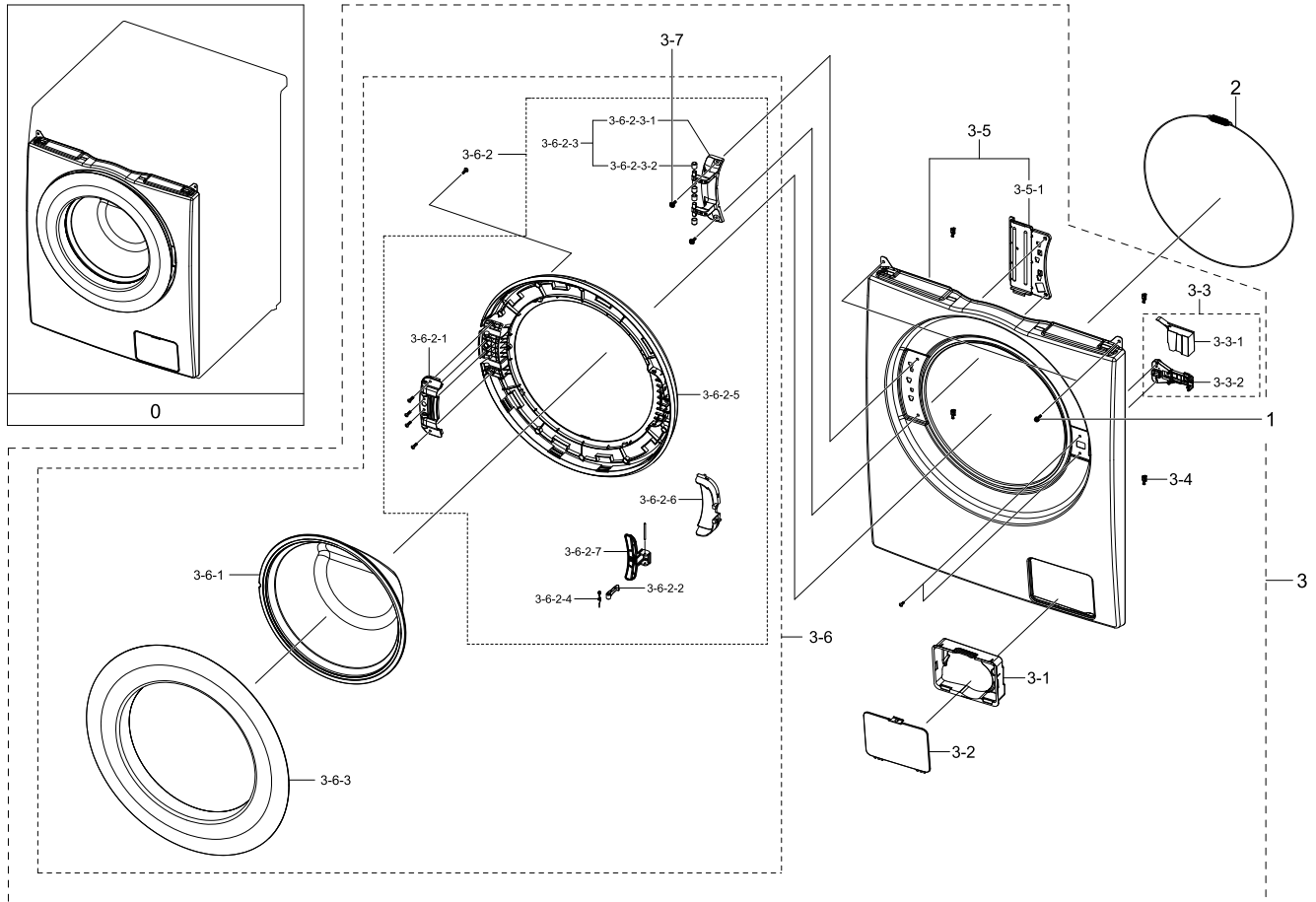
Exploded Views and Parts List

| No.     | Lvl. | Loc.   | Material Code | Description & Specification                  | SNA | Qty. |
|---------|------|--------|---------------|--|-----|------|
| 1-8     | 2    | W0636  | DC97-17327A   | ASSY SEMI TUB FRONT;<br>F500E,WF80F5E5U4W/EF | SNA | 1    |
| 1-8-1   | 3    |        | DC97-17339A   | ASSY HOSE AIR-TUB;<br>F500E,WF80F5E5U4W/EF,B | SA  | 1    |
| 1-8-1-1 | 4    | W0615  | DC61-00158A   | CLAMPER HOSE; SW65ASP,SK5,ID23,T0.8,-        | SA  | 2    |
| 1-8-1-2 | 4    | G0053  | DC67-00671A   | HOSE AIR TUB; F500,EPDM,19.3,29,T2.5,50,B    | SA  | 1    |
| 1-8-2   | 3    | W0632  | DC61-03453A   | TUB FRONT; F500,FRPP,OD<br>546.1,NTR,BUBBLE  | SA  | 1    |
| 1-8-3   | 3    | G0422  | DC97-14873C   | ASSY HOSE AIR; F500,WF80F5E5U4W              | SA  | 1    |
| 1-8-4   | 3    | G0043  | DC97-14874F   | ASSY HOSE DRAWER; F500E,ALL                  | SA  | 1    |
| 1-8-4-1 | 4    |        | DC61-04117A   | CLIP RING; HSWR,T3.0                         | SA  | 1    |
| 1-8-4-2 | 4    | WJ0027 | DC72-00001G   | CLIP RING;<br>HEBA-PJT,HSWR,T3.0,ID49.5,W18, | SA  | 1    |
| 1-8-5   | 3    | G0052  | DC67-00471E   | HOSE CIRCULATION;<br>F500E,EPDM,ID9.0,BLK    | SA  | 1    |
| 1-8-6   | 3    | W0615  | DC65-00008A   | CLAMPER HOSE;<br>SEW-DR605,SK5,-,ID14.2/T0.9 | SA  | 2    |
| 1-8-7   | 3    | G0415  | DC61-02646A   | GUIDE HOSE; WF0804Y8E,PP,T2.0,W9.8,L36.6,    | SA  | 2    |
| 1-9     | 2    | W0605  | DC97-17330A   | ASSY HOSE PRESSURE;<br>F500E,WF80F5E5U4W/EF  | SA  | 1    |
| 1-9-1   | 3    | WP0165 | DC61-70029C   | CLIP RING; SEW-HW125,HSWR,WHITE              | SA  | 2    |
| 1-9-2   | 3    | W0725  | DC67-00230E   | HOSE WATER; WD8704,TPE,ID4.5                 | SA  | 1    |
| 1-9-3   | 3    | W0615  | DC61-00219M   | CLAMPER HOSE; SK5,WHITE                      | SNA | 1    |
| 1-9-4   | 3    | W0615  | DC61-00219C   | CLAMPER HOSE;<br>-,SK5,WLSL1100A,ID35,-,ZPC2 | SA  | 1    |
| 1-9-5   | 3    | W0625  | DC67-00551A   | HOSE FILTER TUB;<br>VOLGA,EPDM,ID64.5,OD70,T | SNA | 1    |
| 1-10    | 2    | G0049  | 6009-001367   | BOLT-HEX;<br>M6.5,L32,ZPC(WHT),SWRCH18A,HWH  | SA  | 15   |
| 2       | 1    | W0501  | DC90-17261A   | ASSY TUB BACK; DIM,CERAMIC                   | SNA | 1    |
| 2-1     | 2    | W0105  | 6002-000473   | SCREW-TAPPING;<br>TH,+,NO,1,M4,L14,PASS,STS3 | SA  | 2    |
| 2-2     | 2    | W0209  | 6602-001497   | BELT-TIMING GEAR;<br>RUBBER(GATES),T3.2,1270 | SA  | 1    |
| 2-3     | 2    | M0487  | DC32-00010C   | THERMISTOR; WASHER,-10~100,5,5,3.243k        | SA  | 1    |
| 2-4     | 2    | WS0064 | DC61-02549A   | BUSH MOTOR; HEBA<br>BIGBANG,PA66+GF15%,NATUR | SA  | 2    |
| 2-5     | 2    | W0230  | DC61-02874A   | BRACKET HEATER;<br>WD0704CQR,STS430,T0.5     | SA  | 1    |
| 2-6     | 2    | W0434  | DC66-00767A   | PULLEY MOTOR;<br>F500,PA66,-,AF216V60(PA66+G | SA  | 1    |
| 2-7     | 2    | W0231  | DC67-00670A   | WEIGHT BALANCER-UP;<br>F500,CONCRETE,-,4.0KG | SA  | 1    |
| 2-8     | 2    | W0501  | DC97-17334A   | ASSY TUB BACK; F500E,WF80F5E5U4W/EF          | SA  | 1    |
| 2-8-1   | 3    | WS0119 | DC62-00008A   | SEAL OIL; NBR,BLACK,-,NBU                    | SA  | 1    |

| No.     | Lvl. | Loc.   | Material Code | Description & Specification                  | SNA | Qty. |
|---------|------|--------|---------------|--|-----|------|
| 2-8-2   | 3    | W0740  | DC69-01769A   | PACKING-TUB;<br>ARNO,EPDM,EPDM,T5.5,L1720,BL | SNA | 1    |
| 2-8-3   | 3    | G0029  | DC97-17329A   | ASSY SEMI TUB BACK;<br>F500E,WF80F5E5U4W/EF  | SNA | 1    |
| 2-8-3-1 | 4    | M0028  | DC69-00824A   | PACKING-THERMISTOR;<br>GW-PJT,EPDM,-,-,W17,H | SA  | 1    |
| 2-9     | 2    |        | DC93-00586A   | ASSY MOTOR BLDC; F3 35mm Press Housng<br>Ty  | SA  | 1    |
| 2-10    | 2    | G0420  | DC93-00355B   | ASSY HEATER; 220~240V,SILICON                | SNA | 1    |
| 2-10-1  | 3    | W0110  | 6031-001531   | WASHER-PLAIN;<br>CR,ID7,OD14,T1.2,ZPC2,ACE-P | SA  | 1    |
| 2-10-2  | 3    | W0237  | DC47-00033A   | HEATER-WASH; AC230V,Double Fuse (167         | SC  | 1    |
| 2-10-3  | 3    | W0235  | DC63-01553A   | COVER HEATER; F500<br>PJT,ABS+PC,W77,L168.1, | SA  | 1    |
| 2-11    | 2    | W0601  | DC97-14263A   | ASSY BOLT;<br>MOTOR/BOLT(M8)+WASHER(OD27.5), | SA  | 5    |
| 2-12    | 2    | W0601  | DC97-06080C   | ASSY BOLT; BOLT+WASHER(OD38),,,,,,           | SA  | 1    |
| 3       | 1    | W0165  | DC90-12363A   | ASSY DRUM; F500E,WF80F5E5U4W/EF              | SNA | 1    |
| 3-1     | 2    | WS0131 | DC60-00069A   | SPACER; WR-HA139WA,STS304                    | SA  | 1    |
| 3-2     | 2    | W0165  | DC97-17231A   | ASSY DRUM; F500 PJT                          | SA  | 1    |
| 3-2-1   | 3    |        | 6044-002157   | RING-OG; ID28,OD32.2,T2.1,BLK,NBR            | SA  | 1    |
| 3-2-2   | 3    | WJ5081 | DC60-40137A   | BOLT HEX;<br>MARS-PJT,STS430,M8,P1.25,L30,HE | SA  | 3    |
| 3-2-3   | 3    | W0619  | DC66-00759A   | DRUM LIFTER; F500 PJT,PP,W52,H45.8,L246,-    | SA  | 3    |
| 3-2-4   | 3    | W0164  | DC97-17234A   | ASSY FLANGE SHAFT; F500 PJT                  | SA  | 1    |
| 3-2-5   | 3    |        | DC66-00757A   | DRUM WRAPPER; F500<br>PJT,STS430,ID503,T0.5  | SNA | 1    |
| 3-2-6   | 3    | W0748  | DC66-00756A   | DRUM FRONT; F500<br>PJT,STS430,ID311,OD525,T | SNA | 1    |
| 4       | 2    | G0049  | DC60-40144A   | BOLT HEX;<br>SM10C,L35,ZPC2(YEL),M10,ZPC2(YE | SA  | 2    |

# 4. Assy Front

## Exploded View



## Parts List

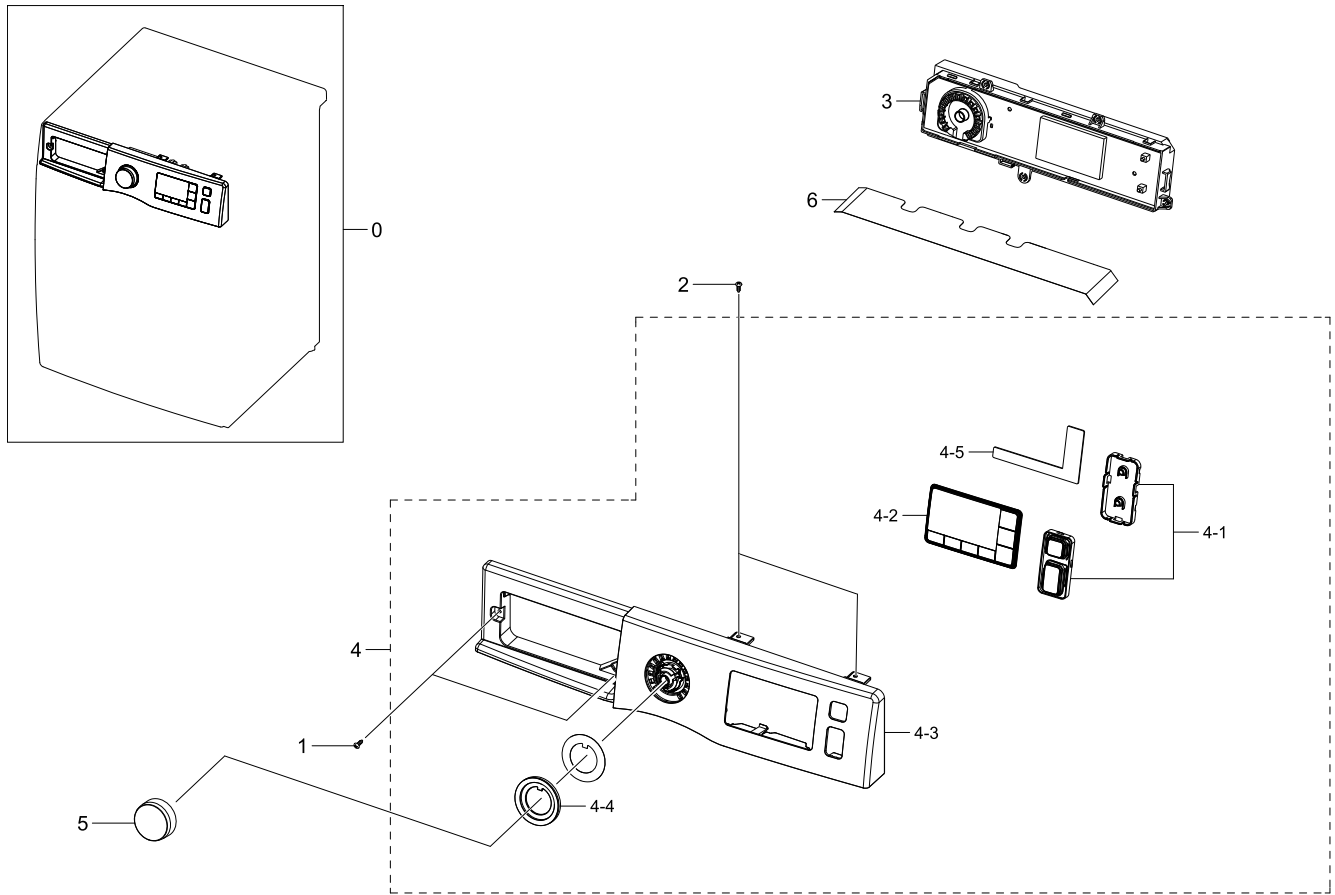
| No.   | Lvl. | Loc.   | Material Code | Description & Specification                   | SNA | Qty. |
|-------|------|--------|---------------|---|-----|------|
| 0     | 1    |        | DC90-21242A   | ASSY FRONT; F500E,WF70F5E2U2W/EC              | SNA | 1    |
| 1     | 2    | W0105  | 6002-001438   | SCREW-TAPPING;<br>HWH,+ ,NO,1,M5,L12,ZPC(WHT) | SA  | 2    |
| 2     | 2    | W0608  | DC91-12078D   | ASSY WIRE DIAPHRAGM; HEBA-PJT,-,-,-,-,-       | SA  | 1    |
| 3     | 2    | W0253  | DC97-17328H   | ASSY FRAME FRONT;<br>F500E,WF70F5E2U2W/EC     | SNA | 1    |
| 3-1   | 3    | WI0248 | DC61-01917A   | GUIDE FILTER;<br>WF8804DP,HIPS,T2.5,HB,HG-17  | SA  | 1    |
| 3-2   | 3    | W0516  | DC63-00920A   | COVER-FILTER; WF8500NHW,ABS,T2.5,DA<br>WHITE  | SA  | 1    |
| 3-3   | 3    |        | DC97-19086A   | ASSY COVER DOOR SWITCH; F500                  | SNA | 1    |
| 3-3-1 | 4    | WE0059 | DC63-00967A   | COVER DOOR SWITCH; AEGIS-PJT/<br>WF8500NHW,P  | SA  | 1    |
| 3-3-2 | 4    | WE0067 | DC64-01538A   | SWITCH DOOR LOCK; AC250V,16,BIMETAL           | SA  | 1    |



| No.       | Lvl. | Loc.   | Material Code | Description & Specification                  | SNA | Qty. |
|-----------|------|--------|---------------|--|-----|------|
| 3-4       | 3    |        | DC61-02577B   | GUIDE FRAME FRONT;<br>WF1802XEC,POM,L19.4,NT | SA  | 4    |
| 3-5       | 3    | W0727  | DC97-17482A   | ASSY FRAME FRONT(S); F500E,DA WHITE          | SA  | 1    |
| 3-5-1     | 4    | W0226  | DC61-02584A   | BRACKET HINGE; GI-SGCC,T1.4,-                | SA  | 1    |
| 3-6       | 3    | W0459  | DC97-17333A   | ASSY DOOR;<br>F500E,WF80F5E5U4W/EF,TPR+NEAT  | SA  | 1    |
| 3-6-1     | 4    | WD0070 | DC64-01521A   | DOOR GLASS;<br>WF8804DP,GLASS,T5.0,H120.5,NA | SA  | 1    |
| 3-6-2     | 4    | W0454  | DC97-17331A   | ASSY HOLDER GLASS;<br>F500E,WF80F5E5U4W/EF   | SNA | 1    |
| 3-6-2-1   | 5    |        | DC61-01915D   | BRACKET HOLDER; GI-SGCC,T1.2,-               | SA  | 1    |
| 3-6-2-2   | 5    | W0474  | DC66-00321A   | LEVER-DOOR; WF80F5E5U4W/EF,ZNDC,Ni           | SNA | 1    |
| 3-6-2-3   | 5    |        | DC97-19085A   | ASSY HINGE DOOR; F500                        | SNA | 1    |
| 3-6-2-3-1 | 6    | W0219  | DC61-03189A   | HINGE DOOR; WF8804DP,PA66,T5.0,Dark<br>Holde | SA  | 1    |
| 3-6-2-3-2 | 6    | WD0090 | DC61-00891A   | GUIDE HINGE;<br>HAUZEN(DOM),POM,NTR(WHT),HIN | SA  | 4    |
| 3-6-2-4   | 5    | WD0130 | DC61-02027A   | SPRING ETC LEVER; STS304,CD1.2,L10.6         | SA  | 1    |
| 3-6-2-5   | 5    | G0427  | DC61-03476A   | HOLDER GLASS; WF-F500E,PP,T2.5,NEAT<br>WHITE | SNA | 1    |
| 3-6-2-6   | 5    | G0428  | DC63-01541A   | COVER HANDLE; WF-F500E,ABS,-,-,DA<br>WHITE,H | SNA | 1    |
| 3-6-2-7   | 5    | W0722  | DC64-02852A   | HANDLE DOOR;<br>WF-F500E,ABS,T2.0,HG-0760GP, | SNA | 1    |
| 3-6-3     | 4    | W0440  | DC63-01538A   | COVER DOOR; WF-F500E,ABS,DA<br>WHITE,TF0959H | SNA | 1    |
| 3-7       | 3    | G0425  | 6009-001522   | SCREW-HEX;<br>HWH,+,M5,L16,PASS,STS430,FP,SE | SA  | 2    |

# 5. Assy Panel Control

## Exploded View



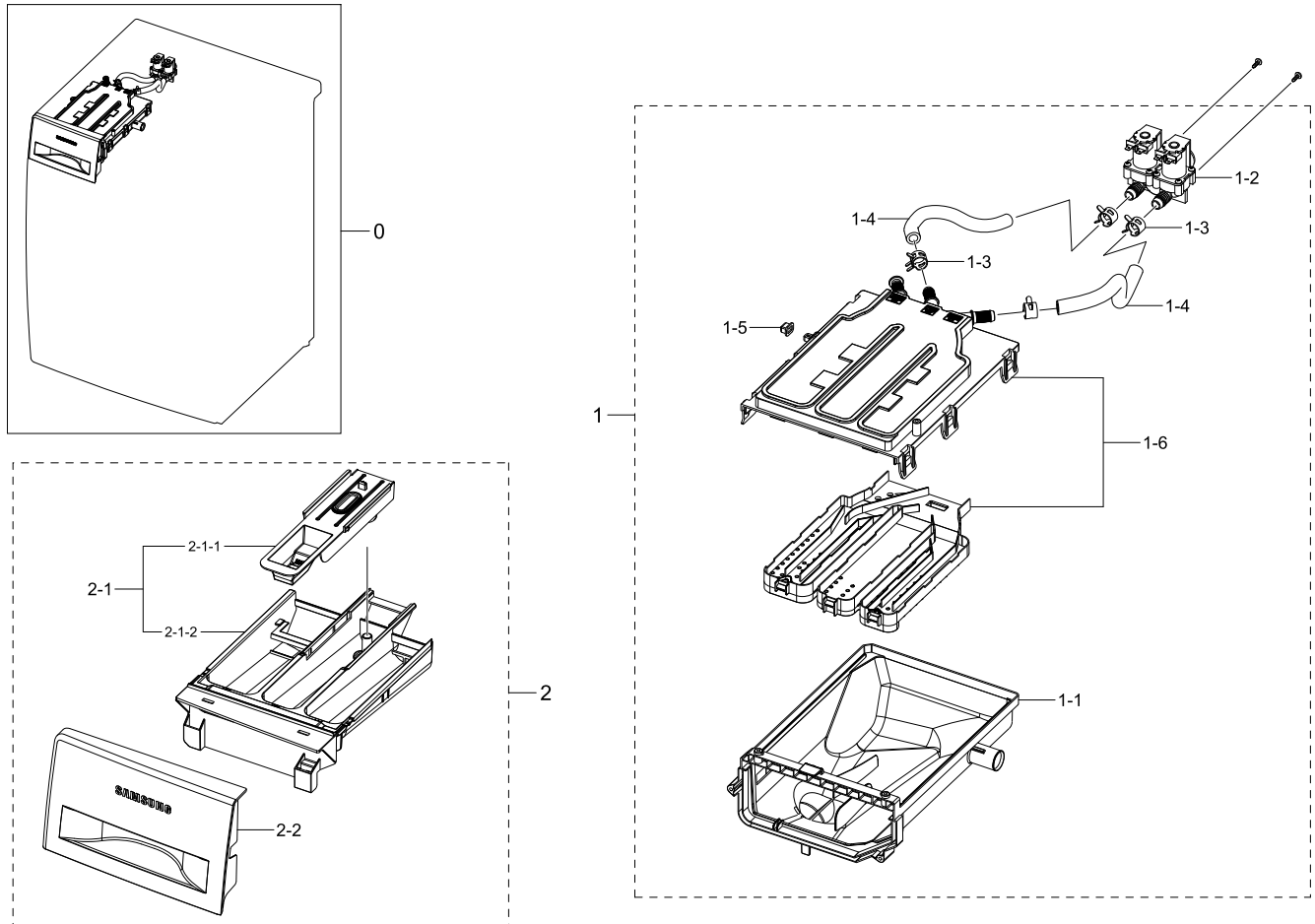
## Parts List

| No. | Lvl. | Loc.   | Material Code | Description & Specification                  | SNA | Qty. |
|-----|------|--------|---------------|--|-----|------|
| 0   | 1    | W0478  | DC90-17372A   | ASSY PANEL CONTROL;<br>F500,WF90F5E5U4W/EC   | SNA | 1    |
| 1   | 2    | W0105  | 6002-000445   | SCREW-TAPPING;<br>TH,+,NO,2S,M4,L18,PASS,STS | SNA | 2    |
| 2   | 2    | WX0441 | 6002-000520   | SCREW-TAPPING;<br>TH,+,-,2,M4,L12,ZPC(WHT),S | SNA | 2    |
| 3   | 2    |        | DC94-06066A   | ASSY PCB EEPROM;<br>02A0,FWM_INV_F500E,BEST, | SA  | 1    |
| 4   | 2    | W0478  | DC97-18431J   | ASSY PANEL CONTROL;<br>WF90F5E5U4W/EC,SPANIS | SA  | 1    |
| 4-1 | 3    | G0431  | DC97-17392A   | ASSY BUTTON; WF80F50FU4W/EF                  | SNA | 1    |
| 4-2 | 3    |        | DC64-02854A   | WINDOW PANEL;<br>F500E,ABS+PMMA,-,TF-0930,GR | SNA | 1    |
| 4-3 | 3    | W0180  | DC64-02853E   | PANEL CONTROL;<br>WW3000,7kg,ABS,HG-0760GP,D | SNA | 1    |
| 4-4 | 3    | G0443  | DC64-02856A   | WINDOW ENCODER;<br>F500E,PMMA,TF-0959T,GRAY  | SNA | 1    |

| No. | Lvl. | Loc.  | Material Code | Description & Specification                    | SNA | Qty. |
|-----|------|-------|---------------|--|-----|------|
| 4-5 | 3    | W0897 | DC93-00351A   | ASSY SENSOR; F500 BEST, TOUCH<br>SENSOR, 7-BUT | SNA | 1    |
| 5   | 2    |       | DC64-03312A   | KNOB ENCODER; F500E, ABS+PMMA, WT0035,<br>TP00 | SA  | 1    |
| 6   | 2    |       | DC63-01829A   | SHEET PCB; WW6000 (New Compact<br>DIM), PC, T0 | SA  | 1    |

# 6. Assy Drawer

## Exploded View



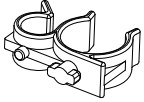
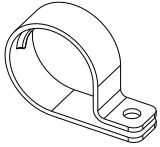


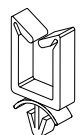

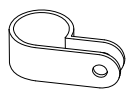

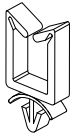
## Parts List

| No. | Lvl. | Loc.  | Material Code | Description & Specification                   | SNA | Qty. |
|-----|------|-------|---------------|---|-----|------|
| 0   | 1    | W0216 | DC90-12367A   | ASSY DRAWER; F500E,WF80F5E5U4W/EF             | SNA | 1    |
| 1   | 2    | W0163 | DC97-17311A   | ASSY HOUSING DRAWER;<br>F500E,WF80F50FU4W,PP  | SA  | 1    |
| 1-1 | 3    | W0372 | DC61-03473A   | HOUSING DRAWER-LOW;<br>WF-F500E,PP,-, WHITE,- | SA  | 1    |
| 1-2 | 3    | W0078 | DC62-00024M   | VALVE WATER; AC220-240V,Bracket,1in 2out,     | SC  | 1    |
| 1-3 | 3    | W0615 | DC65-00008A   | CLAMPER HOSE;<br>SEW-DR605,SK5,-,ID14.2/T0.9  | SA  | 4    |
| 1-4 | 3    | W0151 | DC67-00051T   | HOSE DRAWER;<br>F500E,EPDM,ID9.0,OD14.5,L230  | SA  | 2    |
| 1-5 | 3    |       | DC67-00327A   | CAP DRAWER HOOK;<br>HEBA-PJT,EPDM,T1.1,W13.9  | SA  | 1    |
| 1-6 | 3    | W0497 | DC97-17347A   | ASSY S.HOUSING DRAWER;<br>F500E,WF80F5E5U4W   | SA  | 1    |

| No.   | Lvl. | Loc.  | Material Code | Description & Specification                  | SNA | Qty. |
|-------|------|-------|---------------|--|-----|------|
| 2     | 2    | W0216 | DC97-17310A   | ASSY DRAWER; F500E,WF80F50FU4W,8kg,<br>DA WH | SA  | 1    |
| 2-1   | 3    | W0216 | DC97-19194A   | ASSY DRAWER; F500E,Body Drawer+Cap Rinse     | SA  | 1    |
| 2-1-1 | 4    | W0215 | DC67-00452A   | CAP RINSE; WF0800NCE,PP,MT43,<br>PTN960,HONE | SA  | 1    |
| 2-1-2 | 4    | W0156 | DC61-03480A   | BODY DRAWER; WF-F500E,PP,DA<br>WHITE,WT0035, | SA  | 1    |
| 2-2   | 3    | W0112 | DC64-02858A   | PANEL DRAWER; F500E,ABS,-,HG-0760GP,DA<br>WH | SA  | 1    |

## 7. Small Parts

### Exploded View

|   |   |   |   |   |
|---|---|---|---|---|
|  |  |  |  |  |
| 1   | 2   | 3   | 4   | 5   |
|  |  |  |  |   |
| 6   | 7   | 8   | 9   |   |

### Parts List

| No. | Lvl. | Loc.   | Material Code | Description & Specification                  | SNA | Qty. |
|-----|------|--------|---------------|--|-----|------|
| 1   | 2    | W0616  | DC61-00133A   | CLAMPER HOSE-FIX;<br>P1291,PP,-,HOSE+PLUG,BJ | SA  | 2    |
| 2   | 2    | W0616  | DC61-00118A   | CLAMP-CABLE;<br>P1291,PA66,NATURAL,NC0001    | SA  | 1    |
| 3   | 2    | WI0293 | DC61-40081A   | HOLDER WIRE;<br>DAWH-2NC,PA66,-,NATURAL,-    | SA  | 3    |
| 4   | 2    | W0623  | DC61-40083A   | HOLDER WIRE;<br>DAWH-3ND,PA66,NTR(PI24.4)/NY | SA  | 2    |
| 5   | 2    | M0001  | DC61-00553B   | CABLE CLAMP; DAWS-3NE,PA66,NTR               | SA  | 5    |
| 6   | 2    | WI0293 | DC61-00995C   | HOLDER WIRE;<br>HEBA-PJT,PA,-,NATURAL,-,2110 | SA  | 1    |
| 7   | 2    |        | DC65-20010A   | CABLE CLAMP; DA-9N-1,NYLON66,NTR             | SNA | 1    |
| 8   | 2    |        | 6502-000127   | CABLE CLAMP; DAWH-18NB,PA66,NTR              | SA  | 1    |
| 9   | 3    | M0001  | DC61-00553B   | CABLE CLAMP; DAWS-3NE,PA66,NTR               | SA  | 1    |