
1. EXPLODED VIEWS AND PARTS LIST

[MATERIAL CODE STANDARDS]

Material codes and names and their respective naming rules are managed in accordance with the prescribed standards. Please refer to these standards when requesting a material.

1. Material Code Type

● : Number

■ : Letter (Alphabet)

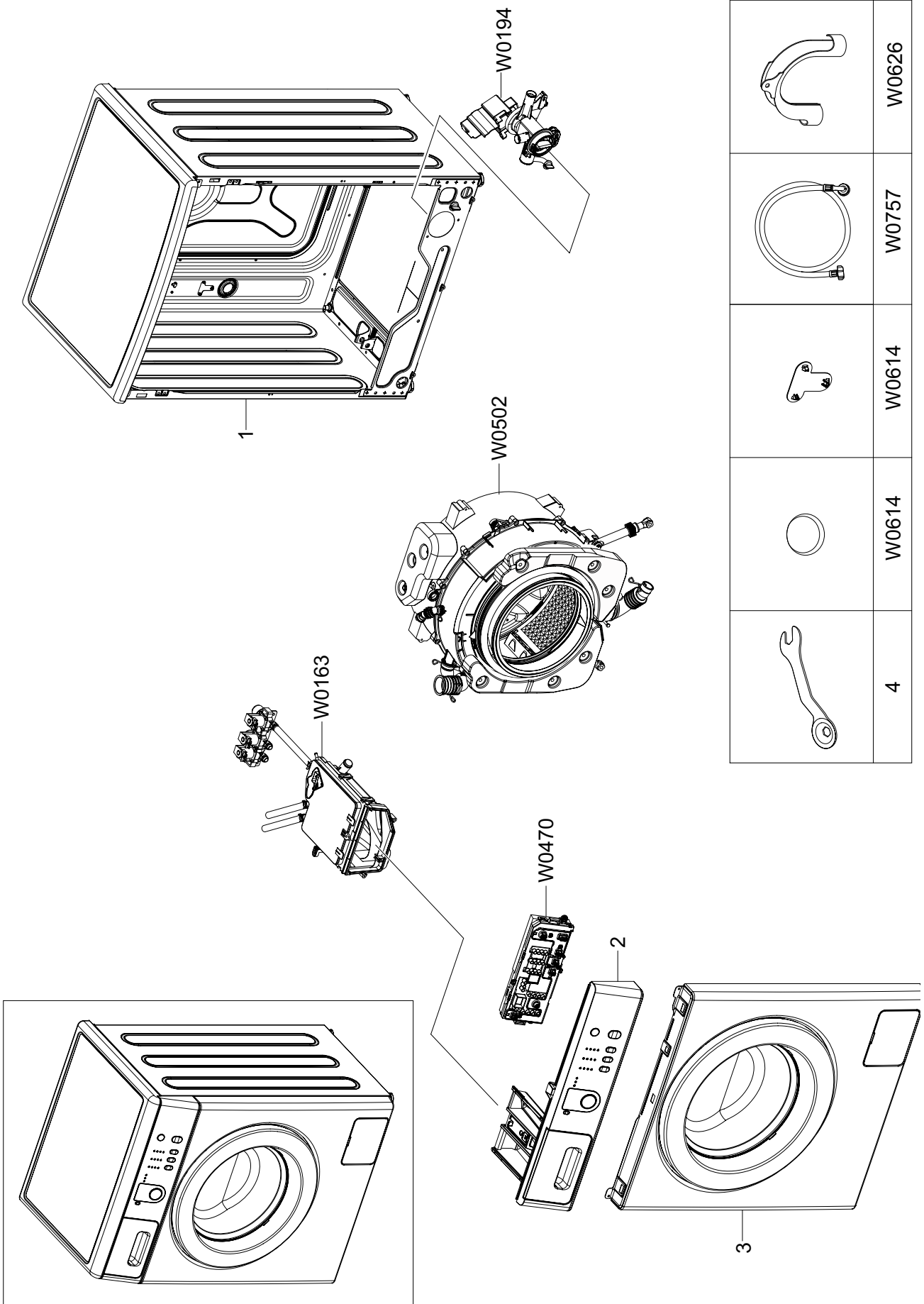
Type 1	●●●●-●●●● ex) 0204-000418 FREON	Enterprise-wide parts Type 1 materials can be used for all Samsung Electronics products. (Most electrical parts belong to this type.)
Type 2	■ ■ ● ● - ● ● ● ● ■ ex) DC96-01390A ASSY-CONTROL	Division-wide parts (DC**-Washing machine) Type 2 materials can be used for specific products. (Most instruments and tools belong to this type.)

2. Ass'y Materials

All ass'y material codes start with DC9*.

An ass'y material is created by combining more than two materials. If a requested material cannot be provided, you can request an ass'y material that contains that material.

1. MAIN

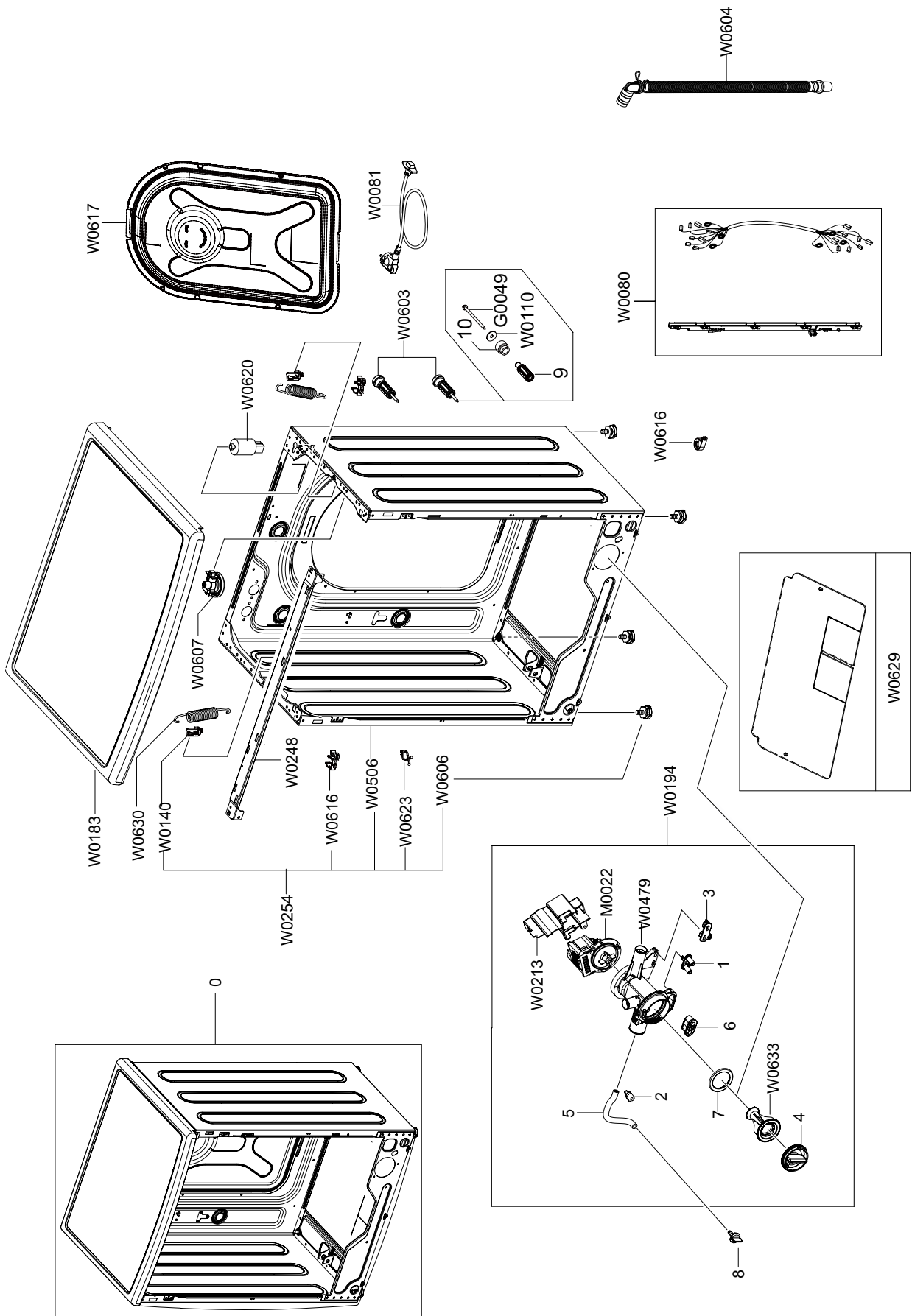


	W0626
	W0757
	W0614
	W0614
	4

MODEL CODE: WF0602NCX/XECService Bom (**SA**: SERVICE AVAILABLE, **SNA**: SERVICE NOT AVAILABLE)

SVC Code	Code No.	Description	Specification	QTY	Un	SA/SNA
W0163	DC97-15204A	ASSY HOUSING DRAWER	WF8500NHW,NO-AG+/COL	1	PC	SA
W0194	DC97-15861D	ASSY PUMP DRAIN	AEGIS,NO-BUBBLE,220V 50H	1	PC	SA
W0470	DC92-00546B	ASSY PCB MAIN	BBCI-09B12NB-00,WF0602NBE/	1	PC	SA
W0626	DC62-10278A	HOSE HANGER	PUMP MODEL,PP,BLACK	1	PC	SA
W0614	DC67-00307A	CAP-FIXER	WF438AAC/XAA,PP,T1.5,BLK,RM60	4	PC	SA
W0757	DC97-16921A	ASSY HOSE WATER	HEBA,WF8804,REFLEX,BLUE/	1	PC	SA
W0614	DC67-00208B	CAP-FIXER	WF8602NHS/XFA,PP,T1.5,P535-H,B	1	PC	SA
W0502	DC90-08435B	ASSY TUB&DRUM	WF0602NCX/XEC	1	PC	SNA
1	-	FRAME & COVER PARTS	-	1	-	-
2	-	PANEL-CONTROL & DRAWER	-	1	-	-
3	-	FRAME FRONT&DOOR	-	1	-	-
4	DC60-00104A	FASTENER-BOLT	ALL,CR,OD36,2.5,L113.5	1	PC	SA

2. FRAME & COVER PARTS

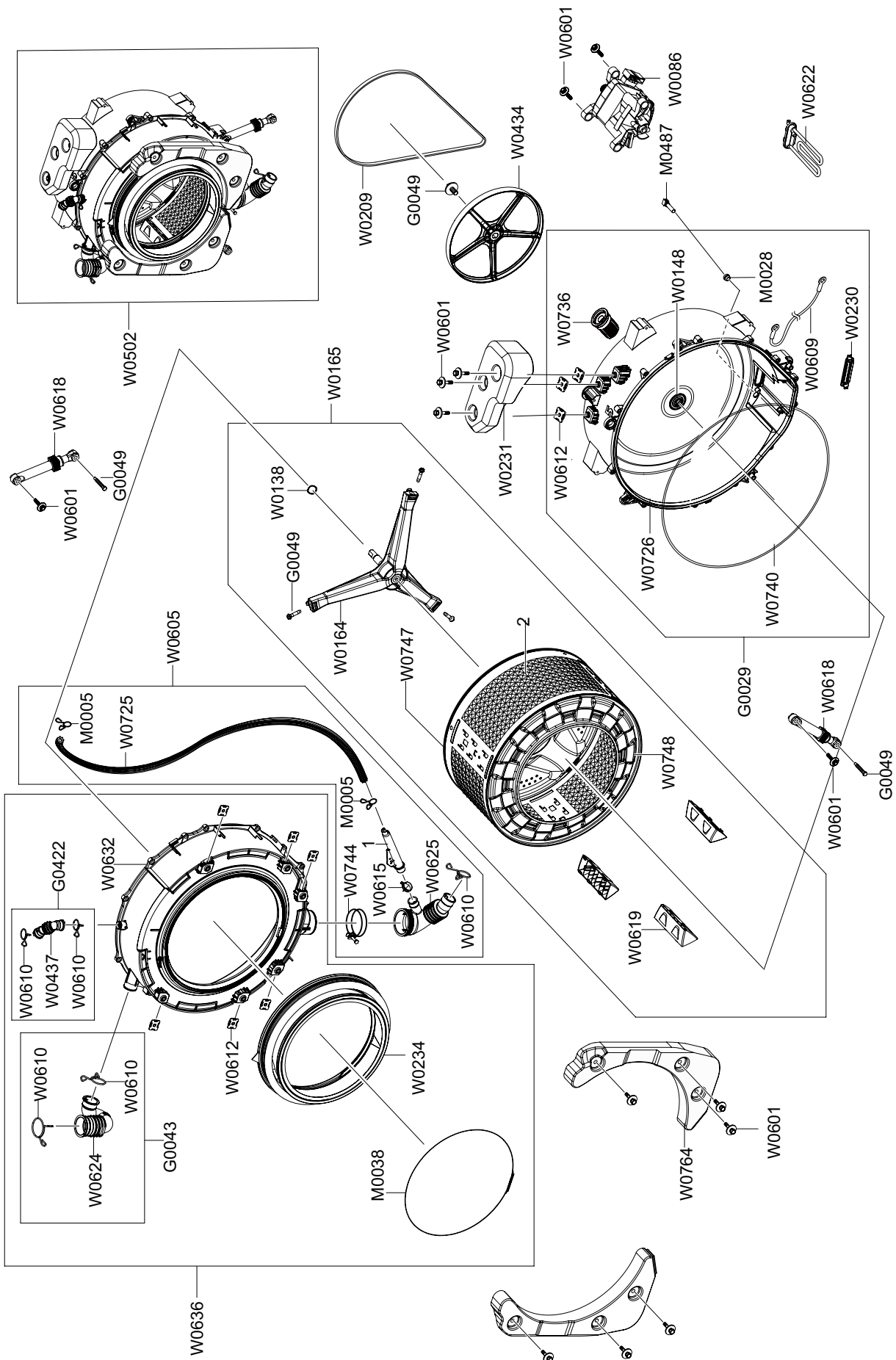


MODEL CODE: WF0602NCX/XEC

Service Bom (SA: SERVICE AVAILABLE, SNA: SERVICE NOT AVAILABLE)

SVC Code	Code No.	Description	Specification	QTY	Un	SA/SNA
W0620	DC29-00006C	FILTER EMI	DFC-2712R,P/PV/SLIM,250V,12,P	1	PC	SA
W0616	DC61-00118A	CLAMPER HOSE-FIX	P1291,PA66,ID27,OD30	1	PC	SA
W0630	DC61-02146A	SPRING ETC-HANGER	AEGIS-PJT,HSWR-SWRH,CD	2	PC	SA
W0607	DC96-01703A	ASSY SENSOR PRESSURE	Hook	1	PC	SA
W0183	DC97-15921E	ASSY COVER TOP	AEGIS BIG BANG,WF0600NBE/	1	PC	SA
W0603	DC97-14653C	ASSY FIXER TUB	SCOUT,WF0804Y8E/XEF	4	PC	SA
W0194	DC97-15861D	ASSY PUMP DRAIN	AEGIS,NO-BUBBLE,220V 50H	1	PC	SA
M0022	DC31-00030A	PUMP-DRAIN	B20-6 / S3001,220V-240V,50Hz,	1	PC	SA
W0479	DC61-02173A	CASE PUMP	AEGIS,PP,T3.0,W167,L108,WHT,-	1	PC	SA
W0633	DC63-00865A	FILTER PUMP	WF8804DP,PP	1	PC	SA
W0213	DC63-01410A	COVER PUMP	COVER-PUMP,PP,T1.3,W50,L77,V0	1	PC	SNA
W0248	DC61-02119A	FRAME PLATE-UP	WF8600NHW,GI-SGCC,NATURAL	1	PC	SA
W0254	DC97-15783J	ASSY PAINT FRAME	Aegis BigBang,WF0602NBE	1	PC	SA
W0616	DC61-00133A	CLAMPER HOSE-FIX	P1291,PP,-,HOSE+PLUG,BJ	2	PC	SNA
W0140	DC61-02140A	GUIDE SPRING	WF8500NMW,POM,T3.5,W24,L40.	2	PC	SNA
W0623	DC61-40081A	HOLDER WIRE	DAWH-2NC,PA,-,NATURAL,-	6	PC	SA
W0629	DC64-01667A	SHUTTER	AEGIS-PJT,PP,5V-A,NATURAL	1	PC	SNA
W0506	DC97-15782D	ASSY FRAME	Aegis-PJT,WF0602NBE/XET,PCM,T	1	PC	SNA
W0606	DC97-00920H	ASSY LEG	-,ALL EXCEPT AUSTRALI MODEL,L33	4	PC	SA
W0617	DC63-00862C	COVER BACK	WF8600NMW,GI-SGCC,T0.35,W352,	1	PC	SA
G0049	DC60-40142B	BOLT HEX	SEW-3HR105,SM10C,HEX,L114.5,-,M	4	PC	SNA
W0110	DC60-60044B	WASHER PLAIN	SBC,ID8.4/OD30,T2.0	4	PC	SA
W0081	DC96-00146A	ASSY POWER CORD	VDE,UCP2,250V16A,H05VV-F	1	PC	SA
W0080	DC93-00230B	ASSY M.GUIDE WIRE HARNESS	AEGIS-BIG BANG	1	PC	SA
W0604	DC97-14291D	ASSY HOSE DRAIN(O)	Aegis-PJT,SSEC,-,L175	1	PC	SA
1	DC61-02221A	GUIDE CUSHION	AEGIS,FRPP,W16.8,L40.8,NTR	1	PC	SNA
2	DC63-00955A	PACKING-PUMP	AEGIS,EPDM,W26.3,L13.2,H14.	1	PC	SNA
3	DC63-00956A	CUSHION PUMP-LEFT	AEGIS,BUTYL,T2.5,W42,L	1	PC	SNA
4	DC64-01317A	HANDLE FILTER	PP,-,-	1	PC	SNA
5	DC67-00244M	HOSE DRAIN	AEGIS,EPDM,ID6,OD10,T2.0,L270	1	PC	SNA
6	DC69-01232A	PACKING-PUMP	AEGIS,PAPER,EPDM,T3,W45,L22	1	PC	SNA
7	DC73-00022A	SEAL PACKING	SEW-HVR149ATA,EPDM,BLK,-	1	PC	SNA
8	DC61-10673C	CAP DRAIN	WF1802XEY/XSC,FRPP,BLACK	1	PC	SA
9	DC61-01937C	FIXER TUB	WF8804,FRPP,NTR,HEBA	4	PC	SNA
10	DC73-00035A	FIXER RUBBER	WF0804Y8E/XEF,EPDM,OD25/ID1	4	PC	SNA

3. ASS'Y TUB DRUM



MODEL CODE: WF0602NCX/XEC

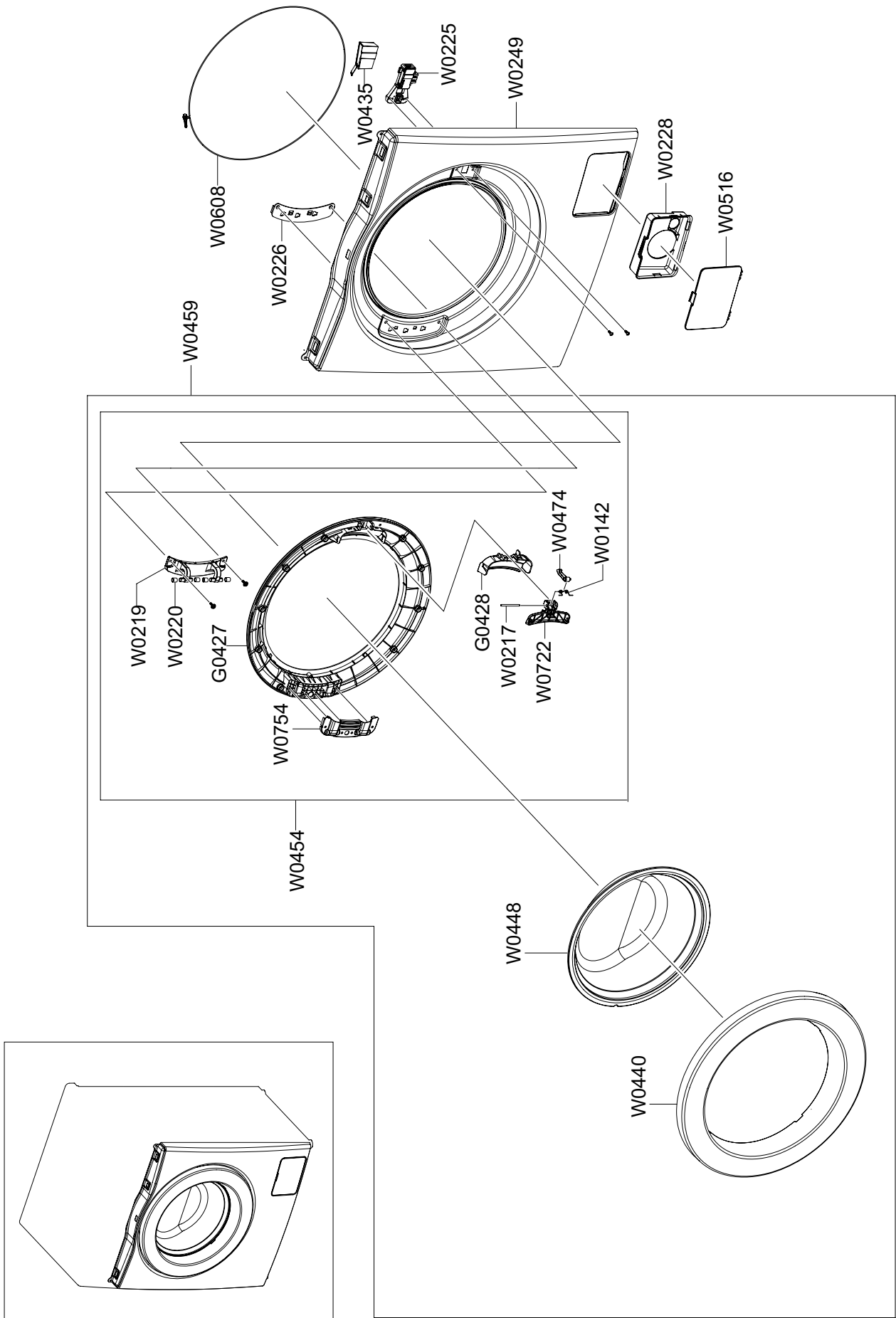
Service Bom (SA: SERVICE AVAILABLE, SNA: SERVICE NOT AVAILABLE)

SVC Code	Code No.	Description	Specification	QTY	Un	SA/SNA
W0636	DC97-15255A	ASSY SEMI TUB FRONT	AEGIS,5KG/WASH	1	PC	SA
W0632	DC61-02085A	TUB FRONT	AEGIS 5kg~6kg,FRPP,OD549,NTR,1	1	PC	SA
W0612	DC61-40348B	BRACKET NUT	SBHG-R,T3,NO-PAINT	6	PC	SNA
M0038	DC91-12077G	ASSY CLAMP DIAPHRAGM	AEGIS,WF8500NHW/YLP	1	PC	SNA
W0234	DC64-01664A	DOOR DIAPHRAGM	AEGIS-PJT,EPDM,T1.5/T3.0,	1	PC	SA
G0422	DC97-16906A	ASSY HOSE AIR	AEGIS_PJT,WF8500NMW/YAH,EP	1	PC	SNA
W0610	DC65-60125B	CLIP RING	HSWR-SWRH,PI2.4,ID25,-	2	PC	SNA
W0437	DC67-00355A	HOSE AIR	AEGIS-PJT,EPDM,ID19.4,OD25.6,T1	1	PC	SNA
G0043	DC97-16907A	ASSY HOSE DRAWER	AEGIS_PJT,WF8500NMW/YAH	1	PC	SNA
W0610	DC65-60118R	CLIP RING	AEGIS-PJT,HSWR-SWRH,T3.0,ID37,	1	PC	SA
W0624	DC67-00334A	HOSE DRAWER TUB	AEGIS-PJT,EPDM,ID35	1	PC	SA
W0610	DC72-00001G	CLIP RING	HEBA-PJT,HSWR-SWRH,T3.0,ID49.5	1	PC	SNA
W0605	DC97-14637B	ASSY HOSE PRESSURE	AEGIS-PJT,-,-,-,-	1	PC	SA
W0615	DC61-00219B	CLAMPER HOSE	SK5,WSLS1100A,ID24 OD26.4	1	PC	SNA
M0005	DC61-70029C	CLIP RING	SEW-HW125,HSWR,WHITE	2	PC	SNA
W0744	DC65-00021A	CLAMPER HOSE-JOINT	HEBA PJT,HSWR-SWRH,ID	1	PC	SNA
W0725	DC67-00230D	HOSE WATER	AEGIS-PJT,TPE,ID4.5,OD8,T1.75	1	PC	SNA
W0625	DC67-00335A	HOSE FILTER TUB	AEGIS-PJT,EPDM,ID64.5	1	PC	SA
W0610	DC72-00001H	CLIP RING	HEBA-PJT,HSWR-SWRH,PI3.0,ID35,	1	PC	SNA
G0029	DC97-15235B	ASSY SEMI TUB BACK	AEGIS-PJT,1200RPM,5KG	1	PC	SA
W0148	DC62-00242A	SEAL OIL	Q1044/SEW-6HW111,NBR,BLACK,-,-,	1	PC	SA
W0612	DC61-40348B	BRACKET NUT	SBHG-R,T3,NO-PAINT	3	PC	SNA
M0028	DC69-00824A	PACKING-THERMISTOR	GW-PJT,EPDM,-,-,W17,H	1	PC	SNA
W0609	DC93-00015A	ASSY WIRE EARTH	AEGIS,5KG,230V/50HZ,EART	1	PC	SA
W0230	DC61-02874A	BRACKET HEATER	WD0704CQR,STAINLESS-ST543	1	PC	SA
W0726	DC61-02205A	TUB BACK	AEGIS 5kg 1200RPM,FRPP,OD545.5,	1	PC	SNA
W0165	DC97-15972G	ASSY DRUM	AEGIS-PJT(ERP),WF0602NCW/XEH	1	PC	SA
W0138	6031-001648	WASHER-WAVE	SK5(SCP1),H2.0,ID25,OD28.8,T	1	PC	SNA
G0049	DC60-40137A	BOLT HEX	MARS-PJT,STAINLESS-ST5430,M8,P1	3	PC	SA
W0748	DC66-00520A	DRUM FRONT	AEGIS-PJT,STAINLESS-ST5430,ID	1	PC	SNA
W0619	DC66-00523A	DRUM LIFTER	AEGIS-PJT,PP,T2.5,L160.8,TI4	3	PC	SA
W0747	DC66-00593A	DRUM BACK	AEGIS-BIG BANG,STAINLESS-ST543	1	PC	SNA
W0164	DC97-15971A	ASSY FLANGE SHAFT	AEGIS BIGBANG,WF0602NB	1	PC	SA

MODEL CODE: WF0602NCX/XECService Bom (**SA**: SERVICE AVAILABLE, **SNA**: SERVICE NOT AVAILABLE)

SVC Code	Code No.	Description	Specification	QTY	Un	SA/SNA
G0049	DC60-40144A	BOLT HEX	SM10C,L35,ZPC2(YEL),M10,ZPC2(YE	2	PC	SA
W0209	6602-001535	BELT-TIMING GEAR	T3.4/1270-4J,RUBBER(GAT	1	PC	SA
W0622	DC47-00006V	HEATER	SU8E6547-V,-,SUS 316L,2000W,8.26~	1	PC	SA
W0618	DC66-00343H	DAMPER SHOCK	AEGIS-PJT,PP,70N,L197.5,BLK	2	PC	SA
W0231	DC67-00483A	WEIGHT BALANCER-UP	AEGIS-PJT,CONCRETE,15	1	PC	SA
W0764	DC67-00538A	WEIGHT-BALANCER(F/L)	AEGIS-PJT,CONCRETE,	1	PC	SA
W0764	DC67-00539A	WEIGHT-BALANCER(F/R)	AEGIS-PJT,CONCRETE,	1	PC	SA
W0601	DC97-02412P	ASSY BOLT	AEGIS-PJT,ALL MODEL(WEIGHT-BAL	9	PC	SA
W0601	DC97-14263A	ASSY BOLT	HEBA-PJT,MOTOR/BOLT(M8)+WASHER	4	PC	SA
G0049	6011-001498	BOLT-HEX	M10,L27,ZPC(YEL),SWRCH10AK,WS/N	1	PC	SA
W0434	DC66-00524A	PULLEY MOTOR	AEGIS-PJT,ALDC,ID17xW14,OD2	1	PC	SA
W0740	DC62-40183A	PACKING-TUB	SWF-P12,Rubber,EPDM,BLK	1	PC	SA
W0736	DC97-15189A	ASSY HOUSING BEARING	AEGIS-PJT,1200RPM/6	1	PC	SNA
M0487	DC32-00010A	THERMISTOR	-,11982OHM AT 25□,-,-55~155,-	1	PC	SNA
W0086	DC31-00123F	MOTOR UNIVERSAL-DRUM	UML 5204.01,1400,22	1	PC	SA
1	DC67-00297A	HOSE JOINT AIR	HEBA&Aegis-PJT,PP,L167.3,	1	PC	SNA
2	DC66-00775A	DRUM WRAPPER	AEGIS-PJT/5.0kg,STAINLESS-S	1	PC	SNA

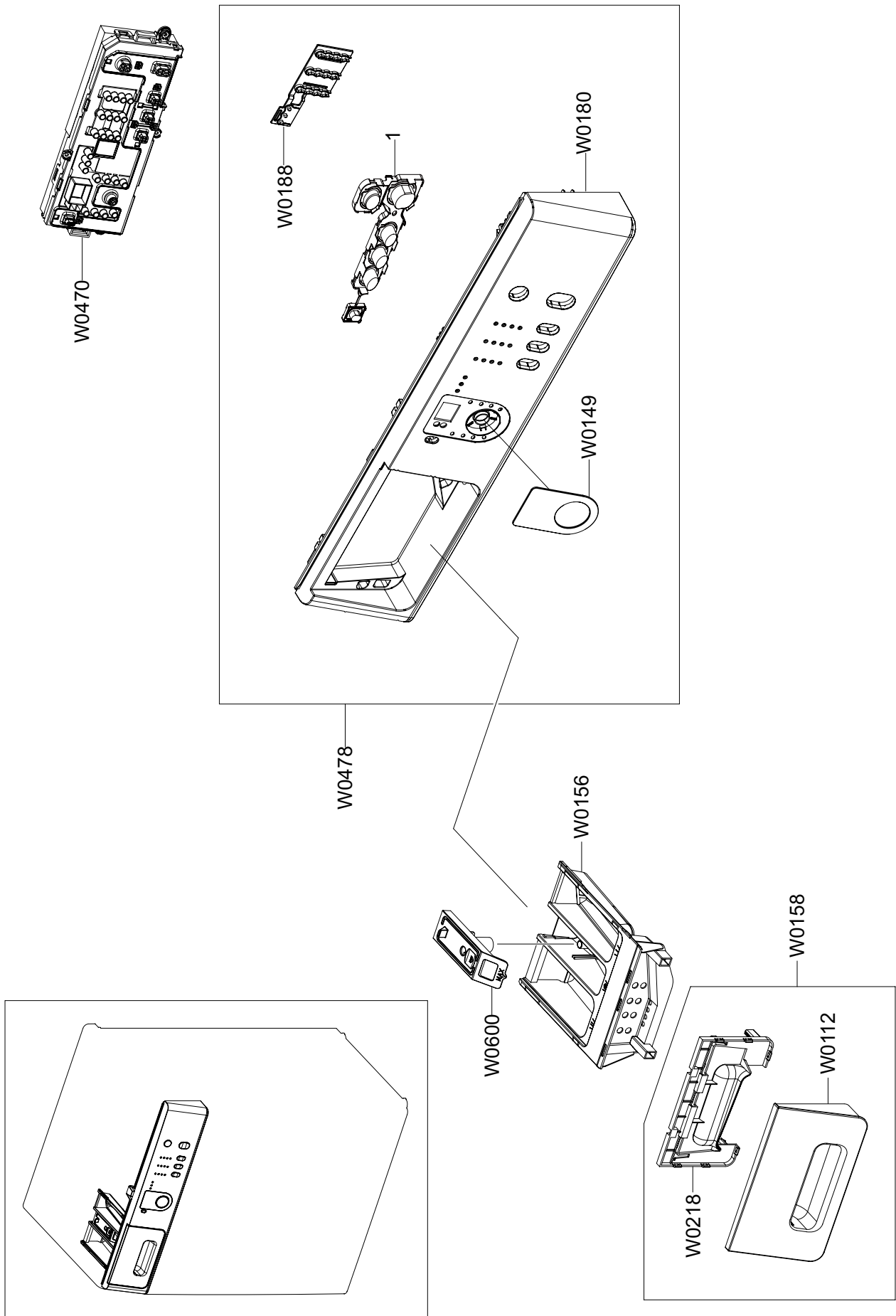
4. ASS'Y FRAME FRONT



MODEL CODE: WF0602NCX/XECService Bom (**SA**: SERVICE AVAILABLE, **SNA**: SERVICE NOT AVAILABLE)

SVC Code	Code No.	Description	Specification	QTY	Un	SA/SNA
W0249	DC61-02089A	FRAME FRONT	WF8500NMW,EGI,WHT,T0.8,Aegis	1	PC	SA
W0228	DC61-02091B	GUIDE FILTER	WF8500NMW,PP,T2.0,W149.3,L1	1	PC	SA
W0516	DC63-00921A	COVER-FILTER	WF8500NMW,ABS,T2.0,W115.1,L	1	PC	SA
W0226	DC61-02184A	BRACKET HINGE	WF8500NHW,GI-SGCC,T1.4,AEG	1	PC	SA
W0435	DC63-00967A	COVER DOOR SWITCH	AEGIS-PJT/ WF8500NHW,P	1	PC	SA
W0225	DC64-01538A	DOOR-LOCK S/W	ZV-446L5,PA,W95,L52,WHITE,	1	PC	SA
W0608	DC91-12078E	ASSY WIRE DIAPHRAGM	AEGIS,WF8500NHW/YLP,	1	PC	SA
W0459	DC97-15925E	ASSY DOOR	AEGIS BIG BANG,WF0600NBX/YLP,O	1	PC	SNA
W0457	DC97-15924C	ASSY COVER DOOR	AEGIS BIG BANG,WF0700NBX	1	PC	SA
W0454	DC97-15926C	ASSY HOLDER GLASS	AEGIS,WF0702NBX/YLP,DA	1	PC	SA
W0220	DC61-00891A	GUIDE HINGE	HAUZEN(DOM),POM,-,-,-,WHT,HI	3	PC	SA
W0142	DC61-02098A	SPRING ETC LEVER	WF8500NHW,STAINLESS-ST5	1	PC	SA
G0427	DC61-02559A	HOLDER GLASS	WF0702NBE /XET,PP,T3.0,OD45	1	PC	SNA
W0754	DC61-02561A	BRACKET HOLDER	WF0702NBE /XET,GI,T1.2,AE	1	PC	SNA
W0219	DC61-02562A	HINGE DOOR	WF0702NBE /XET,ALDC,T5.0,L155	1	PC	SA
W0217	DC64-00564A	HANDLE PIN	Q1636GW/XEU,STS,-,-,-,-,TS-	1	PC	SA
W0447	DC64-02107C	HANDLE-DOOR	WF0702NBX/YLP,POM,T2.0,L151.	1	PC	SA
W0474	DC66-00519A	LEVER DOOR	WF8500NHW,ZNDC,T5.7,W10.7,L46	1	PC	SA
W0448	DC64-01790A	DOOR GLASS	AEGIS,GLASS,T5.0,W353.0	1	PC	SA
W0448	DC64-01790A	DOOR GLASS	AEGIS,GLASS,T5.0,W353.0	1	PC	SA

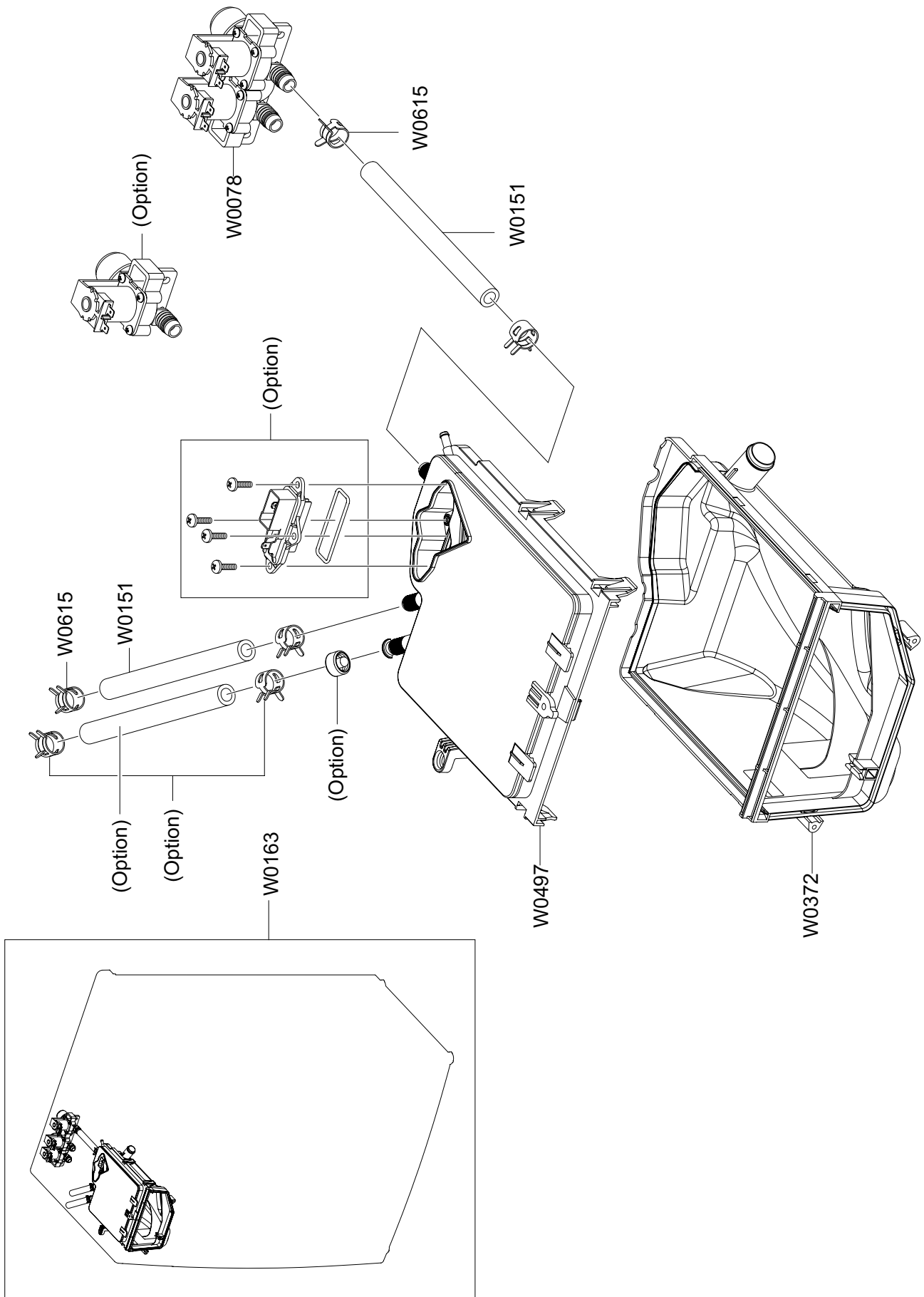
5. PANEL-CONTROL & DRAWER



MODEL CODE: WF0602NCX/XECService Bom (**SA**: SERVICE AVAILABLE, **SNA**: SERVICE NOT AVAILABLE)

SVC Code	Code No.	Description	Specification	QTY	Un	SA/SNA
W0600	DC61-02106A	STOPPER DRAWER	WF8500NHW,PP,T2.0,TB53,EC	1	PC	SA
W0156	DC61-02107A	BODY DRAWER	WF8500NHW,PP,T2.0,-,-,-,-,AE	1	PC	SA
W0158	DC97-15913A	ASSY PANEL DRAWER	AEGIS BIG BANG,WF0752N	1	PC	SA
W0112	DC64-02083A	PANEL DRAWER	AEGIS BIG-BANG-PJT,ABS,T2.5	1	PC	SNA
W0218	DC64-02084A	HANDLE DRAWER	AEGIS BIG BANG-PJT,ABS,T2.	1	PC	SNA
W0478	DC97-16406T	ASSY PANEL CONTROL	AEGIS BIGBANG,WF0602N	1	PC	SA
W0180	DC64-02103A	PANEL CONTROL	AEGIS-BIGBANG,ABS,T2.5,DA	1	PC	SNA
W0188	DC64-02105A	DECORATION LED	AEGIS-BIGBANG,ABS,CLEAR	1	PC	SNA
W0149	DC64-02109A	INLAY PANEL	AEGIS-BIGBANG,PC,T0.5,DA SIL	1	PC	SA
W0470	DC92-00546B	ASSY PCB MAIN	BBCI-09B12NB-00,WF0602NBE/	1	PC	SA
1	DC64-02104A	BUTTON PUSH	AEGIS-BIGBANG,ABS,DA WHITE	1	PC	SNA

6. ASS'Y HOUSING DRAWER



MODEL CODE: WF0602NCX/XECService Bom (**SA**: SERVICE AVAILABLE, **SNA**: SERVICE NOT AVAILABLE)

SVC Code	Code No.	Description	Specification	QTY	Un	SA/SNA
W0163	DC97-15204A	ASSY HOUSING DRAWER	WF8500NHW,NO-AG+/COL	1	PC	SA
W0372	DC61-02105A	HOUSING DRAWER-LOW	WF8500NHW,PP,T1.8,NTR	1	PC	SNA
W0497	DC97-15234A	ASSY S.HOUSING DRAWER	WF8500NHW,NO-AG+/S	1	PC	SNA
W0078	DC62-00024F	VALVE WATER	220-240,10,D-2	1	PC	SA
W0615	DC65-00008B	CLAMPER HOSE	SSEC-GE,SK5,ID14.2,ZPC2,T1.	4	PC	SNA
W0151	DC67-00051F	HOSE DRAWER	WF8502NHW,EPDM,ID9.0,OD14.5,	0.31	M	SNA

7. PARTS LIST (OTHERS SA/SC)

MODEL CODE: WF0602NCX/XEC

Service Bom (**SA**: SERVICE AVAILABLE, **SNA**: SERVICE NOT AVAILABLE)

SVC Code	Code No.	Description	Specification	QTY	Un	SA/SNA
	6003-001563	SCREW-TAPTYPE	TH,+,S,M4,L8,NI PLT,SWRCH1	2	PC	SA
W0085	6001-001773	SCREW-MACHINE	TH,+,-,M5,L12,PASS,STS430,	2	PC	SA
W0193	DC64-02110A	KNOB ENCODER	AEGIS-BIGBANG,ABS,DA WHITE	1	PC	SA

8. PARTS LIST (SCREW PARTS)

MODEL CODE: WF0602NCX/XEC

Service Bom (SA: SERVICE AVAILABLE, SNA: SERVICE NOT AVAILABLE)

SVC Code	Code No.	Description	Specification	QTY	Un	SA/ SNA
W0105	6002-000445	SCREW-TAPPING	TH,+,NO,2,M4,L18,PASS,STS4	4	PC	SNA
W0105	6002-000520	SCREW-TAPPING	TH,+,-,2,M4,L12,ZPC(WHT),S	1	PC	SNA
W0105	6002-001327	SCREW-TAPPING	PWH,+,1,M4,L12,ZPC(WHT),SW	2	PC	SNA
W0105	6006-001174	SCREW-TAPPING	TH,+,WE,2S,M4,L12,ZPC(WHT)	5	PC	SNA
W0102	6009-001343	SCREW-SPECIAL	PH,TORX,M4,L12,ZPC(WHT),SW	1	PC	SNA
W0105	6002-001436	SCREW-TAPPING	PH,+,2,M4,L18,ZPC(WHT),SWR	3	PC	SNA
	6003-001563	SCREW-TAPTYPE	TH,+,S,M4,L8,NI PLT,SWRCH1	2	PC	SA
W0085	6001-001773	SCREW-MACHINE	TH,+,-,M5,L12,PASS,STS430,	2	PC	SA
W0105	6002-000520	SCREW-TAPPING	TH,+,-,2,M4,L12,ZPC(WHT),S	4	PC	SNA
W0105	6002-000445	SCREW-TAPPING	TH,+,NO,2,M4,L18,PASS,STS4	4	PC	SNA
	6002-001554	SCREW-TAPPING	TH,+,No,1,M4,L12,STS430,HE	10	PC	SNA
G0010	6003-000269	SCREW-TAPTYPE	BH,+,S,M3,L6,ZPC(WHT),SW	2	PC	SNA
	6002-000440	SCREW-TAPPING	PWH,+,2,M3,L8,ZPC(BLK),SWR	2	PC	SNA
	6002-001554	SCREW-TAPPING	TH,+,No,1,M4,L12,STS430,HE	2	PC	SNA
W0105	6002-000520	SCREW-TAPPING	TH,+,-,2,M4,L12,ZPC(WHT),S	4	PC	SNA
W0105	6006-001174	SCREW-TAPPING	TH,+,WE,2S,M4,L12,ZPC(WHT)	9	PC	SNA
W0105	6002-000632	SCREW-TAPPING	PH,+,-,2S,M4,L16,ZPC(WHT),	2	PC	SNA
W0105	6002-001327	SCREW-TAPPING	PWH,+,1,M4,L12,ZPC(WHT),SW	2	PC	SNA
W0105	6006-001174	SCREW-TAPPING	TH,+,WE,2S,M4,L12,ZPC(WHT)	2	PC	SNA
W0105	DE60-10080A	SCREW-TAPPING	PWH,+,-,2S,M5,L9,-,SWRCH18	2	PC	SNA
F0056	6003-001768	SCREW-TAPTYPE	TH,+,WT,S,M4,L10,ZPC(WHT),	3	PC	SNA
W0105	6002-000520	SCREW-TAPPING	TH,+,-,2,M4,L12,ZPC(WHT),S	2	PC	SNA
W0105	6002-000520	SCREW-TAPPING	TH,+,-,2,M4,L12,ZPC(WHT),S	1	PC	SNA
G0425	6009-001367	SCREW-HEX	HWH,+,-,M6.5,L32,ZPC(WHT),SWRC	14	PC	SNA
W0105	6002-001006	SCREW-TAPPING	TH,+,-,2S,M4,L12,PASS,STS4	2	PC	SNA
F0056	6003-001768	SCREW-TAPTYPE	TH,+,WT,S,M4,L10,ZPC(WHT),	1	PC	SNA