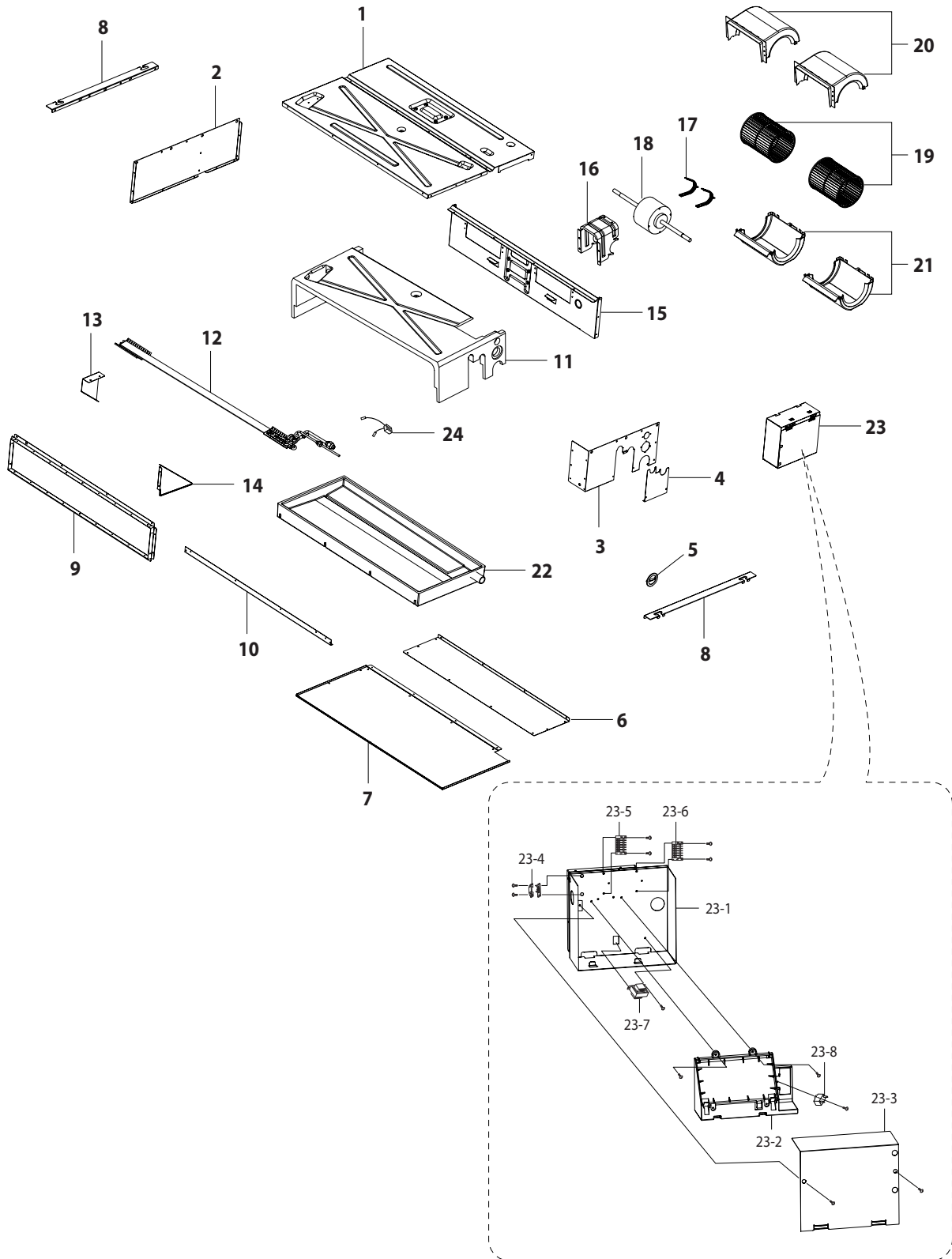


5. Exploded Views and Parts List

5-1 Indoor Unit

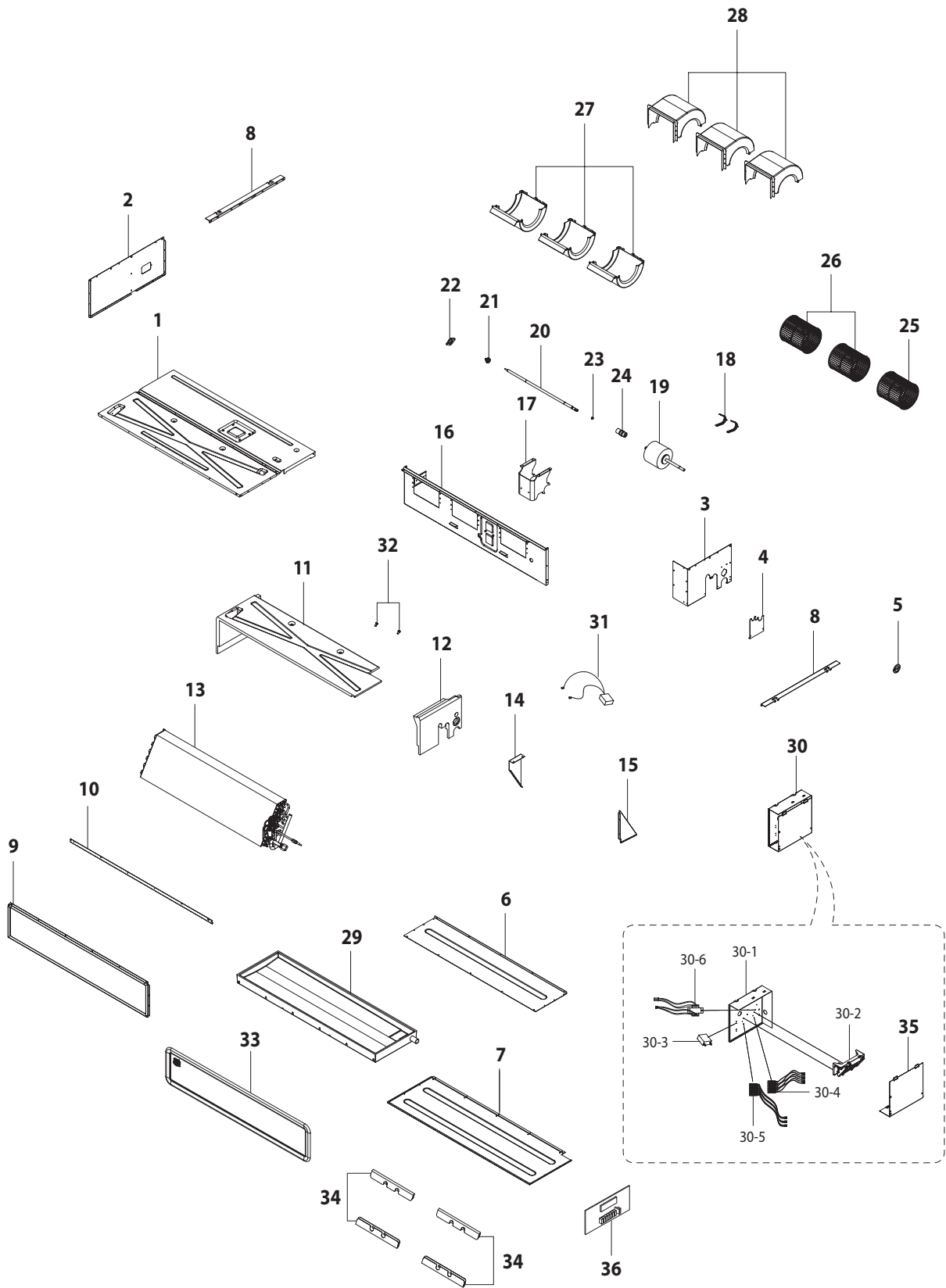
■ EH035EAV



■ Parts List

No.	Code No.	Description	Specification	Q'TY	SA/SNA	Remark
1	DB90-02014A	ASS'Y CABINET BASE	ASS'Y	1	SA	
2	DB64-01324A	ASS'Y CABINET SIDE LF	ASS'Y	1	SA	
3	DB90-01951A	ASS'Y CABINET SIDE RH	ASS'Y	1	SA	
4	DB90-01938A	ASS'Y COVER PIPE	ASS'Y	1	SA	
5	DB90-01950A	ASS'Y COVER DRAIN PUMP	ABS T2.0	1	SA	
6	DB64-01326A	CABINET TOP MOTOR	SGCC-M, T0.8	1	SA	
7	DB90-02069A	ASS'Y CABINET TOP EVAP	ASS'Y	1	SA	
8	DB61-02274A	PLATE HANGER	SGCC-MT2.0	2	SA	
9	DB94-00712A	ASS'Y BRACKET OUTLET	ASS'Y	1	SA	
10	DB61-02277A	BRACKET OUTLET SUB	SGCC-M, T0.8	1	SA	
11	DB97-03385A	ASS'Y CUSHION BASE	ASS'Y	1	SA	
12	DB96-05289B	ASS'Y EVAP UNIT	ASS'Y	1	SA	
13	DB90-01978A	ASS'Y SUPPORT EVAP LF	ASS'Y	1	SA	
14	DB90-01946A	ASS'Y SUPPORT EVAP RH	ASS'Y	1	SA	
15	DB94-00768A	ASS'Y PARTITION	ASS'Y	1	SA	
16	DB61-02282A	BRACKET MOTOR	SGCC-MT2.0	1	SA	
17	DB99-00669A	ASS'Y BAND MOTOR	SINYA	1	SNA	
18	DB31-00312A	MOTOR FAN	SINYA, SSR, PID	1	SA	
19	DB67-00565A	BLOWER	ASS'Y, ABS, TORSIONAL BUSH	2	SA	
20	DB90-01947A	ASS'Y CASE BLOWER UPPER	ASS'Y	2	SA	
21	DB90-01948A	ASS'Y CASE BLOWER BOTTOM	ASS'Y	2	SA	
22	DB94-00716A	ASS'Y DRAIN PAN	ASS'Y	1	SNA	
23	DB93-03321C	ASS'Y CONTROL IN	ASS'Y	1	SA	
23-1	DB90-01941A	ASS'Y CASE CONTROL	ASS'Y	1	SA	
23-2	DB61-02287A	CASE PCB	ABS T2.5	1	SA	
23-3	DB63-01237A	COVER CONTROL	SGCC-M T0.5	1	SA	
23-4	DB61-40291A	HOLDER WIRE	PP BLACK	1	SNA	
23-5	DB65-00105L	TERMINAL BLOCK 6P	6P, POWER	1	SNA	
23-6	DB65-00105M	TERMINAL BLOCK 6P	6P, COMMUNICATION	1	SNA	
23-7	DB26-10070G	TRANS POWER	230V, 50HZ	1	SNA	
23-8	2301-001370	CAPACITOR	450V 2.5 μ F	1	SA	
24	DB32-00142A	ASS'Y THERMISTOR	ASS'Y	1	SA	

EH052EAV/EH070EAV

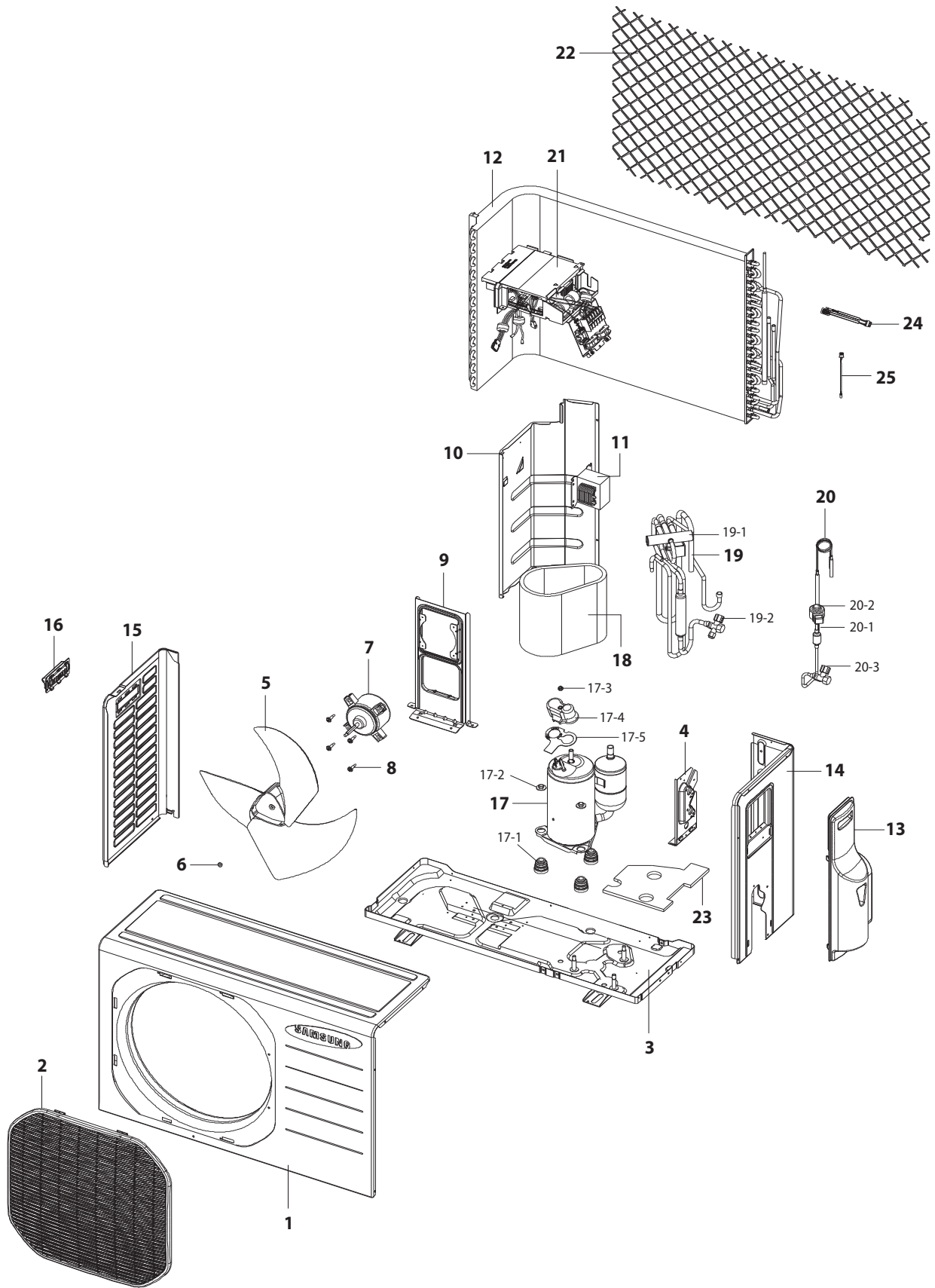


■ Parts List

No.	Code No.	Description	Specification	Q'TY		SA/SNA	Remark
				EH052EAV	EH070EAV		
1	DB90-02160A	ASS'Y CABI BASE	ASS'Y,SGCC-M,T0.8	1	1	SA	
2	DB64-01324B	CABI SIDE LF	SGCC-M,T0.8	1	1	SA	
3	DB90-01951A	ASS'Y CABI SIDE RH	ASS'Y,SGCC-M,T0.8	1	1	SA	
4	DB90-01938A	ASS'Y COVER PIPE	ASS'Y,SGCC-M,T0.5	1	1	SA	
5	DB90-01950A	ASS'Y COVER DRAIN PUMP	ASS'Y	1	1	SA	
6	DB64-01345A	CABI TOP MOTOR	SGCC-M,T0.8	1	1	SA	
7	DB90-02161A	ASS'Y CABI TOP EVAP	ASS'Y,SGCC-M,T0.8	1	1	SA	
8	DB61-02274A	PLATER HANGER	SGCC-M,T2.0	2	2	SA	
9	DB97-03796A	ASS'Y BRACKET OUTLET	ASS'Y,SGCC-M,T0.8	1	1	SA	
10	DB61-02322A	BRACKET OUTLET SUB	SGCC-M,T0.8	1	1	SA	
11	DB97-03792A	ASS'Y CUSHION BASE A	ASS'Y,EPS 25	1	1	SA	
12	DB97-03791A	ASS'Y CUSHION BASE B	ASS'Y,EPS 25	1	1	SA	
13	DB96-05115B	ASS'Y EVAP UNIT	ASS'Y	1	-	SA	
	DB96-05115C	ASS'Y EVAP UNIT	ASS'Y	-	1	SA	
14	DB90-01978A	ASS'Y SUPPORT EVAP LF	ASS'Y,SGCC-M,T0.8	1	1	SA	
15	DB90-01946A	ASS'Y SUPPORT EVAP RH	ASS'Y,SGCC-M,T0.8	1	1	SA	
16	DB94-00809A	ASS'Y PARTITION	ASS'Y,SGCC-M,T1.0	1	1	SA	
17	DB61-02282A	BRACKET MOTOR	SGCC-M,T2.0	1	1	SA	
18	DB97-03800A	ASS'Y BAND MOTOR	SINYA,ASS'Y	1	1	SA	
19	DB31-00314A	MOTOR	SINYA,50Hz,YSK140-60-4PG	1	1	SA	
20	DB66-01007A	MOTOR SHAFT	SINYA	1	1	SA	
21	DB94-00759A	MOLD BEARING	ASS'Y	1	1	SA	
22	DB67-00581A	CAP BEARING	SGCC-M,T0.8	1	1	SA	
23	DB73-00285A	RUBBER SHAFT	CR V0	1	1	SA	
24	DB96-04902A	COUPLER	ASS'Y	1	1	SA	
25	DB67-00565A	BLOWER A	ASS'Y,ABS	1	1	SA	
26	DB67-00576A	BLOWER B	ASS'Y,ABS	2	2	SA	
27	DB90-01947A	ASS'Y CASE BLOWER UPPER	ASS'Y ABS	3	3	SA	
28	DB90-01948A	ASS'Y CASE BLOWER BOTTOM	ASS'Y ABS	3	3	SA	
29	DB94-01007A	ASS'Y DRAIN	ASS'Y	1	1	SA	
30	DB93-03321B	ASS'Y CONTROL PART	ASS'Y	1	1	SA	
30-1	DB90-01941A	ASS'Y CASE CONTROL	ASS'Y	1	1	SA	
30-2	DB61-02287A	CASE PCB	ABS V0,T2.5,---	1	1	SA	
30-3	2301-001379	CAPACITOR	450V,4u	1	1	SA	
30-4	DB65-00105L	TERMINAL BLOCK 6P	6P,POWER	1	1	SA	
30-5	DB65-00105M	TERMINAL BLOCK 6P	6P,COMMUNICATION	1	1	SA	
30-6	DB26-10070G	TRANS POWER	60Hz	1	1	SA	
31	DB32-00142A	ASS'Y THERMISTOR	ASS'Y	1	1	SA	
32	DB61-02349A	CLIP BRUSH	NYLON66,BLACK	2	2	SA	
33	DB63-01299C	FILTER	MSWG1,T1,192,1005	1	1	SA	
34	DB61-02643A	BRACKET FILTER	SGCC-M	4	4	SA	
35	DB90-02101A	ASS'Y COVER CONTROL	ASS'Y	1	1	SA	
36	DB93-03213G	ASS'Y PCB	ASS'Y	1	1	SA	

5-2 Outdoor Unit

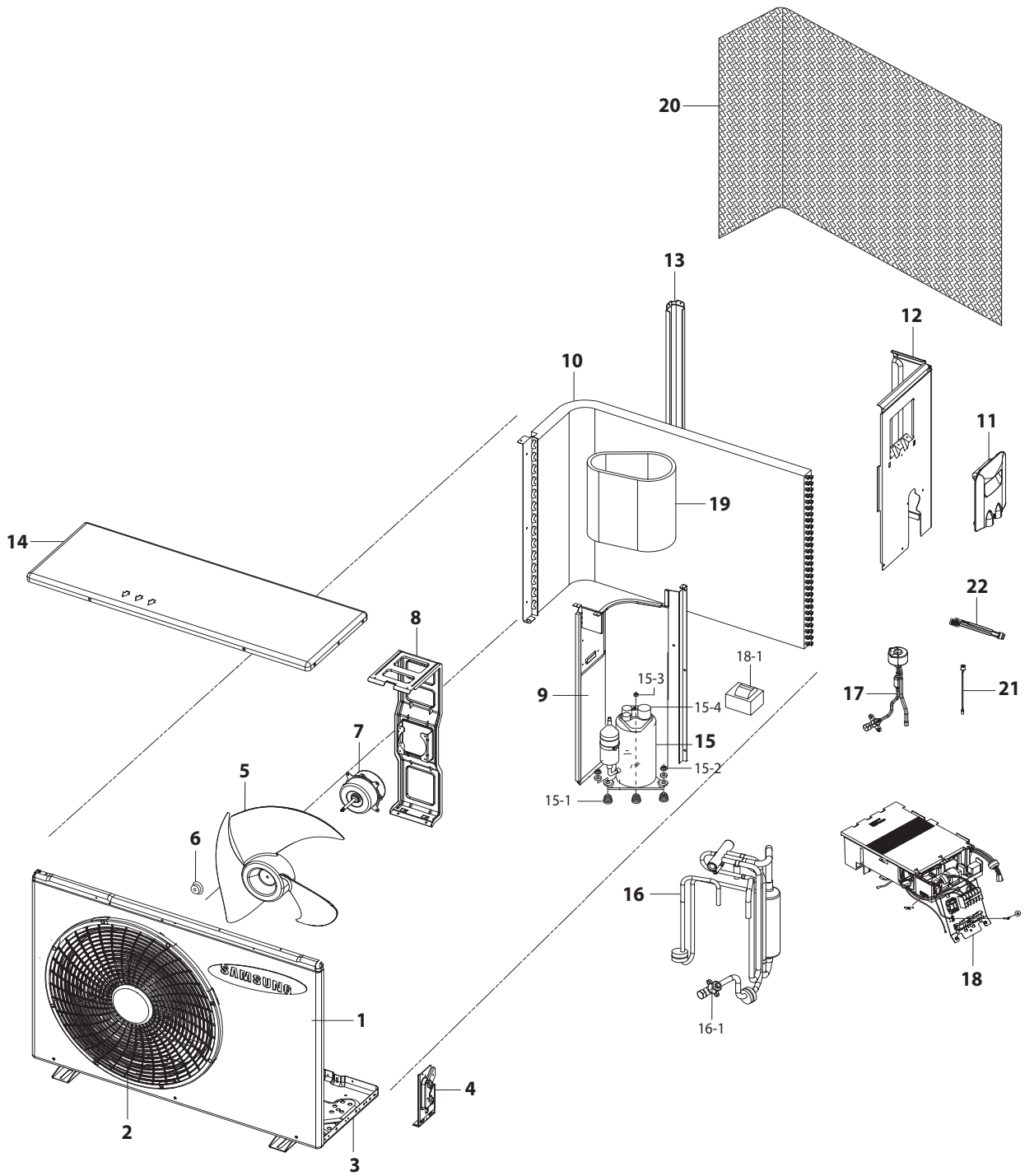
■ UH035EAV



■ Parts List

No.	Code No.	Description	Specification	Q'TY	SA/SNA	Remark
1	DB90-01524E	ASS'Y CABI FRONT	ASS'Y, SC-90073T	1	SA	
2	DB63-00847A	GUARD FAN	HIPS, SC-90073R	1	SA	
3	DB90-01295G	ASS'Y BASE OUT	ASS'Y, GALVANIZED STEEL	1	SA	
4	DB61-02066A	BRACKET VALVE	GALVANIZED STEEL	1	SA	
5	DB67-00397A	FAN-PROPELLER	AS+G/F20%, ø400	1	SA	
6	6021-000281	NUT-HEXAGON	M6, CW	1	SA	
7	DB31-00238A	MOTOR FAN OUT	DC Motor, SIC-52FV-F726-1	1	SA	
8	DB60-00150A	SCREW SPECIAL MOTOR	M4, SWCH18AK	4	SA	
9	DB61-01644A	BRACKET MOTOR	SGCC-M	1	SA	
10	DB94-00863A	ASS'Y PARTITION	ASS'Y, SGCC-M	1	SA	
11	DB81-00534A	REACTOR	PPS,5mH	1	SA	
12	DB96-04480B	ASS'Y COND UNIT	ASS'Y	1	SA	
13	DB63-00843C	COVER SIDE	PP V0, SC-90073R	1	SA	
14	DB90-01525E	ASS'Y CABINET SIDE RH	ASS'Y, SC-90073T	1	SA	
15	DB64-00982A	CABINET SIDE LF	SECC-P, SC-90073T	1	SA	
16	DB64-00992A	HANDLE LF	PP, SC-90073R	1	SA	
17	G4C090LU2ER	COMPRESSOR	ROTARY, BLDC	1	SA	
17-1	DB73-00070A	GROMMET ISOLATOR	NR	3	SA	
17-2	DB60-30028A	SCREW MACHINE	M8	3	SA	
17-3	DB60-30018A	NUT-FLANGE	M5	1	SA	
17-4	DB63-10165D	COVER TERMINAL	PBT (G/F 15%)	1	SA	
17-5	DB63-20003A	GASKET	EPDM	1	SA	
18	DB63-01435A	FELT COMP SOUND	FELT+EVAR	1	SA	
19	DB99-00726B	ASS'Y VALVE 4WAY	ASS'Y	1	SA	
19-1	DB62-02338A	4WAY VALVE	R410A, SANHUA	1	SNA	
19-2	DB62-02284A	VALVE SERVICE	R410A, SANHUA, 3/8"	1	SNA	
20	DB99-00727A	ASS'Y VALVE EEV	ASS'Y	1	SA	
20-1	DB62-03916A	VALVE EXPANSION BODY	FUJIKOKI, ø1.4	1	SNA	
20-2	DB62-03964A	VALVE EXPANSION COIL	FUJIKOKI	1	SNA	
20-3	DB62-02283A	VALVE SERVICE	R410A, SANHUA, 1/4"	1	SNA	
21	DB93-03453A	ASS'Y CONTROL OUT	ASS'Y	1	SA	
22	DB61-01861A	GUIDE SCREEN	P.E.H 100%	1	SA	
23	DB63-01479A	FELT COMP BASE	FELT	1	SA	
24	DB32-00083K	THERMISTOR OUT/DIS	ASS'Y	1	SA	
25	DB32-00081D	THERMISTOR COND	ASS'Y	1	SA	

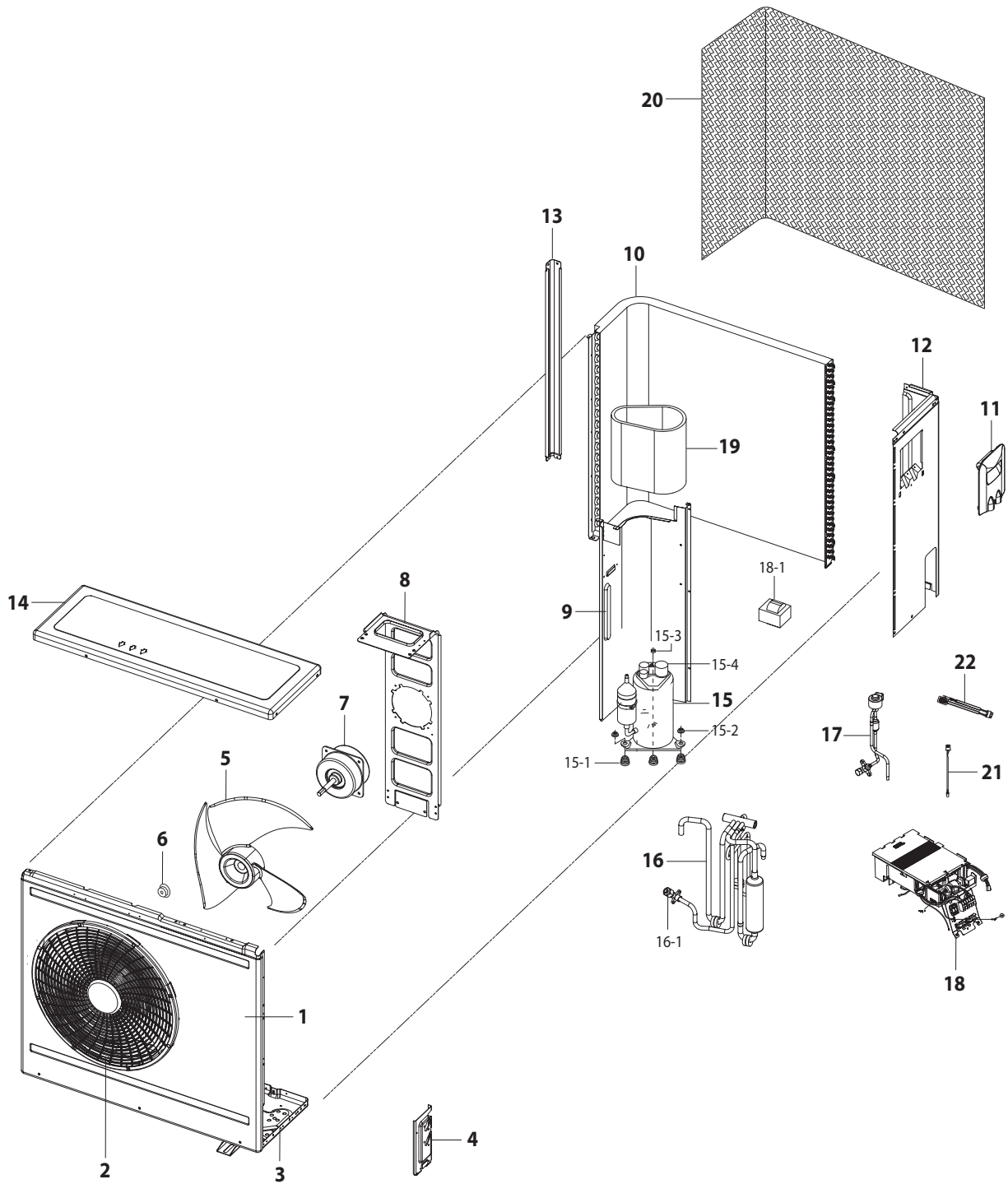
■ UH052EAV



■ Parts List

No.	Code No.	Description	Specification	Q'TY	SA/SNA	Remark
1	DB90-01772C	ASS'Y CABI-FRONT	ASS'Y	1	SA	
2	DB63-00831A	GUARD FAN	ABS	1	SA	
3	DB90-02203B	ASS'Y BASE OUT	ASS'Y	1	SA	
4	DB61-02066A	BRACKET VALVE	GALVANIZED STEEL	1	SA	
5	DB67-00243A	FAN-PROPELLER	AS+G/F20%,ø420	1	SA	
6	DB60-30004A	NUT-FLANGE	M6,CCW	1	SA	
7	DB31-00264B	MOTOR FAN OUT	230V/50Hz	1	SA	
8	DB61-02533B	ASS'Y BRACKET MOTOR	ASS'Y	1	SA	
9	DB94-00873A	ASS'Y PARTITION	ASS'Y	1	SA	
10	DB96-05485A	ASS'Y COND UNIT	ASS'Y	1	SA	
11	DB90-40176B	ASS'Y-COVER CONTROL	ASS'Y	1	SA	
12	DB90-01350J	ASS'Y CABINET-SIDE RH	SC-90073T	1	SA	
13	DB63-00343A	GUARD COND	SC-90073T	1	SA	
14	DB90-01881A	ASS'Y-CABI UPPER	ASS'Y	1	SA	
15	G8T200FU1EW	COMPRESSOR	ROTARY	1	SA	
15-1	DB73-00067A	GROMMET ISOLATOR	NR	3	SA	
15-2	DB60-30028A	NUT-WASHER	M8	3	SA	
15-3	DB60-30018A	NUT-FLANGE	M5	1	SA	
15-4	DB63-10165D	COVER-TERMINAL	PBT	1	SA	
16	DB99-00711A	ASS'Y-4WAY V/V	ASS'Y	1	SA	
16-1	DB62-02285A	VALVE SERVICE	1/2"	1	SNA	
17	DB99-00708A	ASS'Y VALVE EEV	ASS'Y	1	SA	
18	DB93-03665D	ASS'Y CONTROL-OUT	ASS'Y	1	SA	
18-1	DB81-00534A	REACTOR	5mH,20A	1	SA	
19	DB63-01223B	CLOTH-COMP SOUND	FELT+EVAR	1	SA	
20	DB61-00821B	GUARD-SCREEN	PE.H	1	SA	
21	DB32-00081D	SENSOR TEMP-COND	ASS'Y	1	SA	
22	DB32-00083G	THERMISTOR-OUT/DISCHARGE	ASS'Y	1	SA	

■ UH070EAV

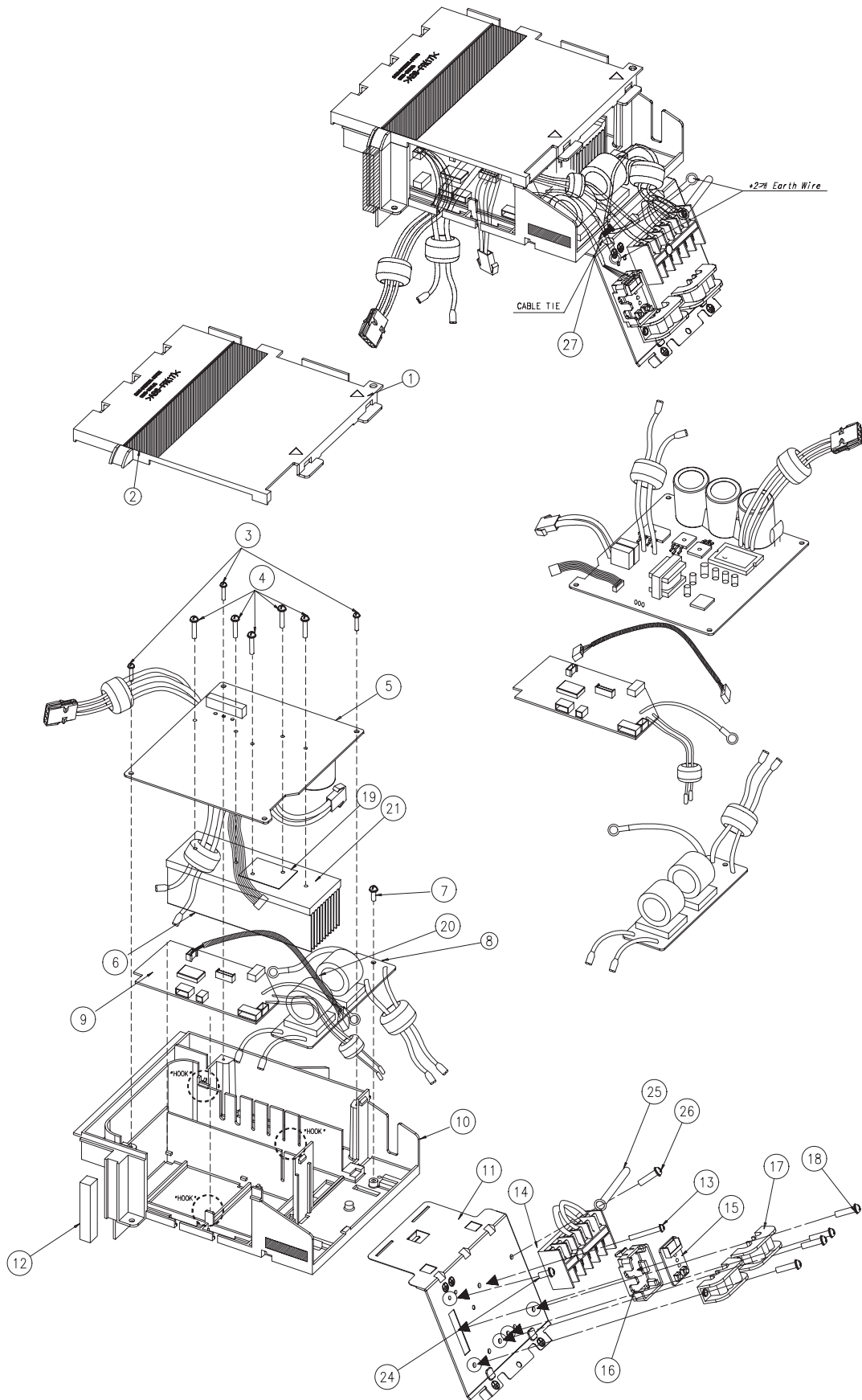


■ Parts List

No.	Code No.	Description	Specification	Q'TY	SA/SNA	Remark
1	DB90-00565M	ASS'Y CABI-FRONT	ASS'Y	1	SA	
2	DB63-00831A	GUARD FAN	ABS	1	SA	
3	DB90-01336F	ASS'Y BASE OUT	ASS'Y	1	SA	
4	DB61-01593A	BRACKET VALVE	GALVANIZED STEEL	1	SA	
5	DB67-00438A	FAN-PROPELLER	AS+G/F20%,Ø460	1	SA	
6	DB60-30004A	NUT-FLANGE	M6,CCW	1	SA	
7	DB31-00268A	MOTOR FAN OUT	230V/50Hz	1	SA	
8	DB90-00967D	ASS'Y BRACKET MOTOR	ASS'Y	1	SA	
9	DB94-00869A	ASS'Y PARTITION	ASS'Y	1	SA	
10	DB96-05447A	ASS'Y COND-UNIT	ASS'Y	1	SA	
11	DB90-40176B	ASS'Y-COVER CONTROL	ASS'Y	1	SA	
12	DB90-02296A	ASS'Y CABINET-SIDE RH	SC-90073T	1	SA	
13	DB63-30027C	GUARD COND	SC-90073T	1	SA	
14	DB90-00569G	ASS'Y-CABI UPPER	ASS'Y	1	SA	
15	G8T260FU1EW	COMPRESSOR	ROTARY	1	SA	
15-1	DB73-00067A	GROMMET-MOUNT	NR	3	SNA	
15-2	DB60-30028A	NUT-WASHER	M8	3	SA	
15-3	DB60-30018A	NUT-FLANGE	M5	1	SA	
15-4	DB63-10165D	COVER-TERMINAL	PBT	1	SA	
16	DB99-00710B	ASS'Y-4WAY V/V	ASS'Y	1	SA	
16-1	DB62-02342A	VALVE SERVICE	5/8"	1	SNA	
17	DB99-00709A	ASS'Y VALVE EEV	ASS'Y	1	SA	
18	DB93-03665E	ASS'Y CONTROL OUT	ASS'Y	1	SA	
18-1	DB81-00534A	REACTOR	5mH,20A	1	SA	
19	DB63-01223B	CLOTH-COMP SOUND	FELT+EVAR	1	SA	
20	DB61-00821A	GUARD-SCREEN	PE.H	1	SA	
21	DB32-00081D	SENSOR TEMP-COND	ASS'Y	1	SA	
22	DB32-00083J	THERMISTOR-OUT/DISCHARGE	ASS'Y	1	SA	

5-3 Ass'y Control Out

■ UH035EAV : DB93-03453A

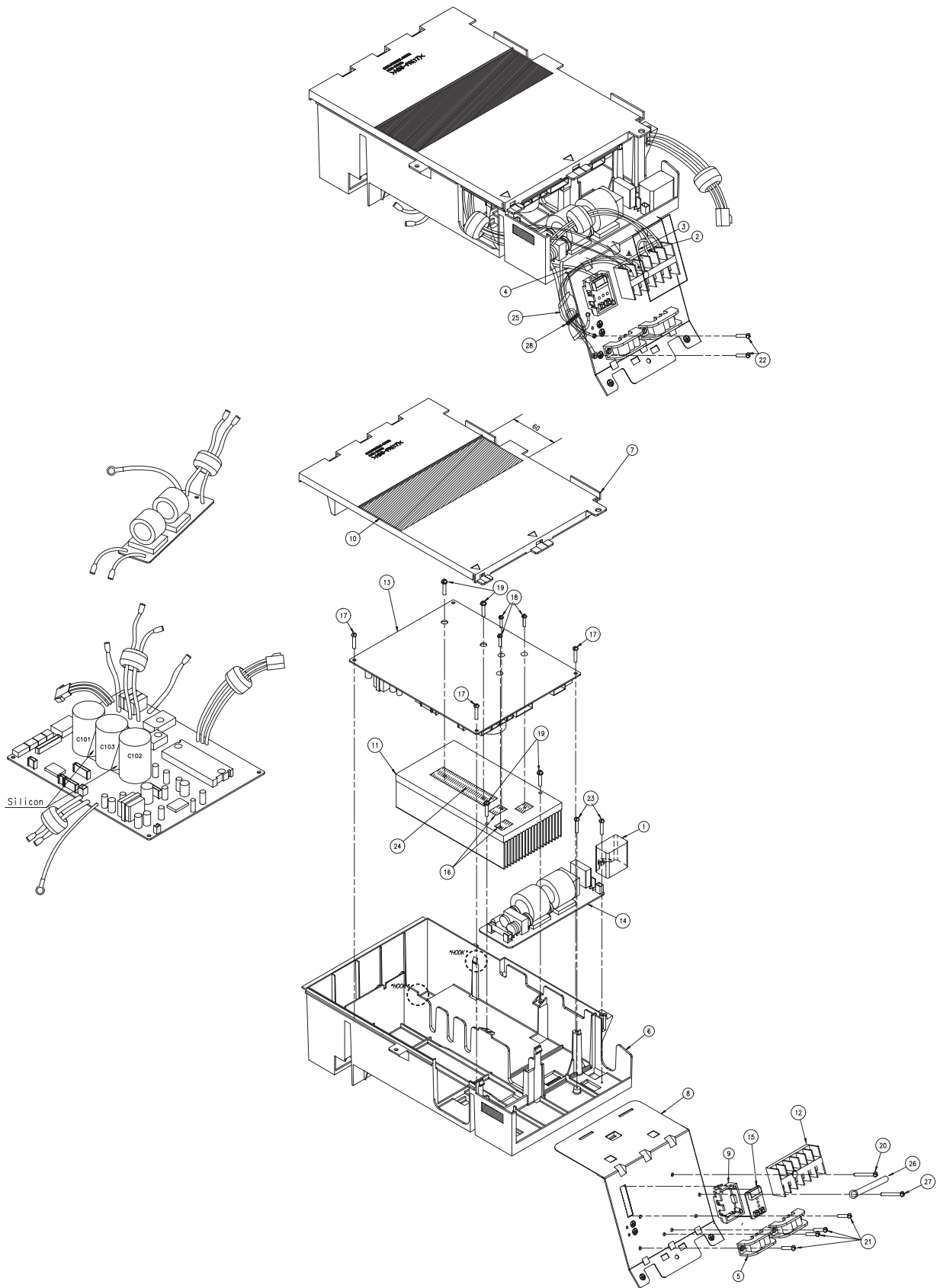


■ Parts List

No.	Code No.	Description	Specification	Q'TY	SA/SNA	Remark
1	DB61-02514A	CASE CONTROL COVER	ABS V0, T2.0	1	SA	
2	DB62-02541Z	SEAL CASE CONTROL COVER	FOAM LEX T2(WHITE)	1	SA	
3	6002-000630	SCREW TAPPING	M3xL8 PH+ ZPC(YEL)	3	SNA	
4	DB91-00306A	ASS'Y SCREW-MACHINE	M3x16 WSP PH+	5	SNA	
5	DB93-03454A	ASS'Y PCB INV	FR4 160x140	1	SA	
6	DB62-03155A	HEAT SINK	140x50x45mm, 11FIN	1	SA	
7	6002-000536	SCREW TAPPING	PH,+2S,M4,L10	1	SNA	
8	DB93-02968B	ASS'Y PCB EMI	FR-1 139x40	1	SA	
9	DB93-03470A	ASS' PCB MAIN	FR4 125x67	1	SA	
10	DB61-02513A	CASE CONTROL BASE	ABS V0, T2.0	1	SA	
11	DB61-02535A	PLATE CONTROL OUT	SGCC-M T0.6	1	SA	
12	DB62-02332P	SEAL CASE CONTROL BASE	FOAM PU(BLACK)	1	SNA	
13	6002-000555	SCREW TAPPING	M4xL25 PH+ ZPC(YEL)	1	SNA	
14	DB65-00179C	TERMINAL BLOCK	DAF-6P	1	SA	
15	DB93-03662A	ASS'Y PCB DISPLAY	FR-1 35x25	1	SA	
16	DB61-02543A	CASE DISPLAY PCB	ABS V0, T2.0	1	SA	
17	DB61-00171A	HOLDER WIRE CLAMP	ABS	2	SA	
18	6001-001054	SCREW TAPPING	M4xL10 TH+ ZPC(YEL)	4	SNA	
19	DB81-00547B	INSULATOR	MICA	1	SNA	
20	DB39-01198A	C/W-DISP(5P)	-	1	SA	
21	DB98-24813A	ASS'Y-THERMAL GREASE	2g	1	SNA	
22	DB39-00604W	LEAD CONNECTOR-N	SKYBLU	1	SNA	
23	DB39-00604X	LEAD CONNECTOR-L	BRN	1	SNA	
24	6009-001001	SCREW SPECIAL	SCREW EARTH	1	SNA	
25	DB61-00206A	HOLDER WIRE CLAMP	SGCC-M, T0.5	1	SNA	
26	6002-001149	SCREW TAPPING	M4x10 2S PH+	1	SNA	
27	DB65-10088D	CABLE TIE	NYLON66	1	SNA	

Ass'y Control Out(cont.)

■ UH052EAV : DB93-03665D
UH070EAV : DB93-03665E



■ Parts List

No.	Code No.	Description	Specification	Q'TY		SA/SNA	Remark
				UH052EAV	UH070EAV		
1	2301-001369	C-FILM,LEAD-OTHER	3uF,450V	1	-	SA	
	2301-001379	C-FILM,LEAD-OTHER	4uF,450V	-	1	SA	
2	DB39-00604W	LEAD CONNECTOR-N	SKYBLU	1	1	SNA	
3	DB39-00604X	LEAD CONNECTOR-L	BRN	1	1	SNA	
4	DB39-01198A	CONNECT WIRE	5P,MAIN TO DISPLAY	1	1	SNA	
5	DB61-00171A	HOLDER-WIRE CLAMP	ABS,BLK	1	1	SA	
6	DB61-02511A	CASE CONTROL-BASE	ABS V0,T2.0	1	1	SNA	
7	DB61-02512A	CASE CONTROL-COVER	ABS V0,T2.0	1	1	SNA	
8	DB61-02534A	PLATE-CONTROL OUT	SGCC-M,T0.6	1	1	SNA	
9	DB61-02543A	CASE-DISPLAY PCB	ABS V0,T2.0	1	1	SNA	
10	DB62-01925D	INSULATION-CONTROL BOX TOP	FOAM-LEX,T2,WHT	1	1	SNA	
11	DB62-03874A	HEAT SINK	100mm,185mm,50mm,AL	1	1	SNA	
12	DB65-00179C	TERMINAL BLOCK	DAF-6P	1	1	SNA	
13	DB93-03545D	ASS'Y PCB MAIN	PCB-2L	1	-	SA	
	DB93-03545E	ASS'Y PCB MAIN	PCB-2L	-	1	SA	
14	DB93-03546A	ASS'Y PCB SUB-EMI	PCB-2L	1	-	SA	
	DB93-03546D	ASS'Y PCB SUB-EMI	PCB-2L	-	1	SA	
15	DB93-03662A	ASS'Y PCB DISPLAY	PCB-1L	1	1	SA	
16	DB98-17991A	ASS'Y-INSULATOR MICA	MICA	2	2	SNA	
17	6002-000630	SCREW-TAPPING	PH,+,M3,L8	3	3	SNA	
18	DB91-00306A	ASS'Y-SCREW MACHINE	PH,+,M3,L16	3	3	SNA	
19	DB91-00307A	ASS'Y-SCREW MACHINE	PH,+,M4,L16	4	4	SNA	
20	6002-000555	SCREW-TAPPING	PH,+,M4,L25	1	1	SNA	
21	6001-001054	SCREW-MACHINE	TH,+,M4,L10	4	4	SNA	
22	6009-001001	SCREW-SPECIAL	TH,+,M4,L8	1	1	SNA	
23	6002-000536	SCREW-TAPPING	PH,+,M4,L10	2	2	SNA	
24	DB98-24813A	ASS'Y-THERMAL GREASE	INV,RADIANT HEAT	0.002	0.002	SNA	
26	DB61-00206A	HOLDER-WIRE	SGCC-M,T0.5	1	1	SNA	
27	6002-001149	SCREW-TAPPING	PH,+,M4,L10	1	1	SNA	
28	DB65-10088D	CABLE-TIE	NY-66	1	1	SNA	