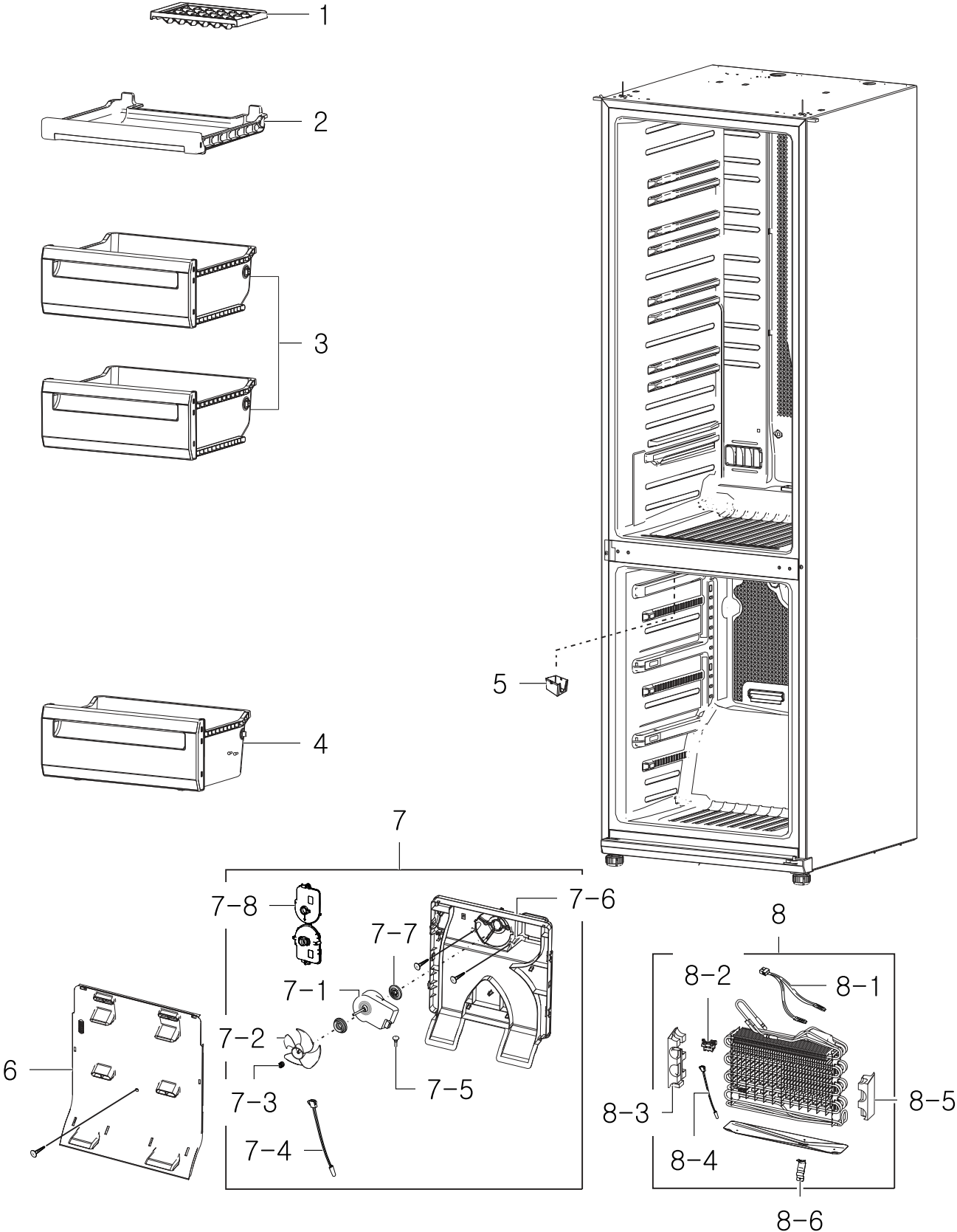


# 1. Freezer

## Exploded View

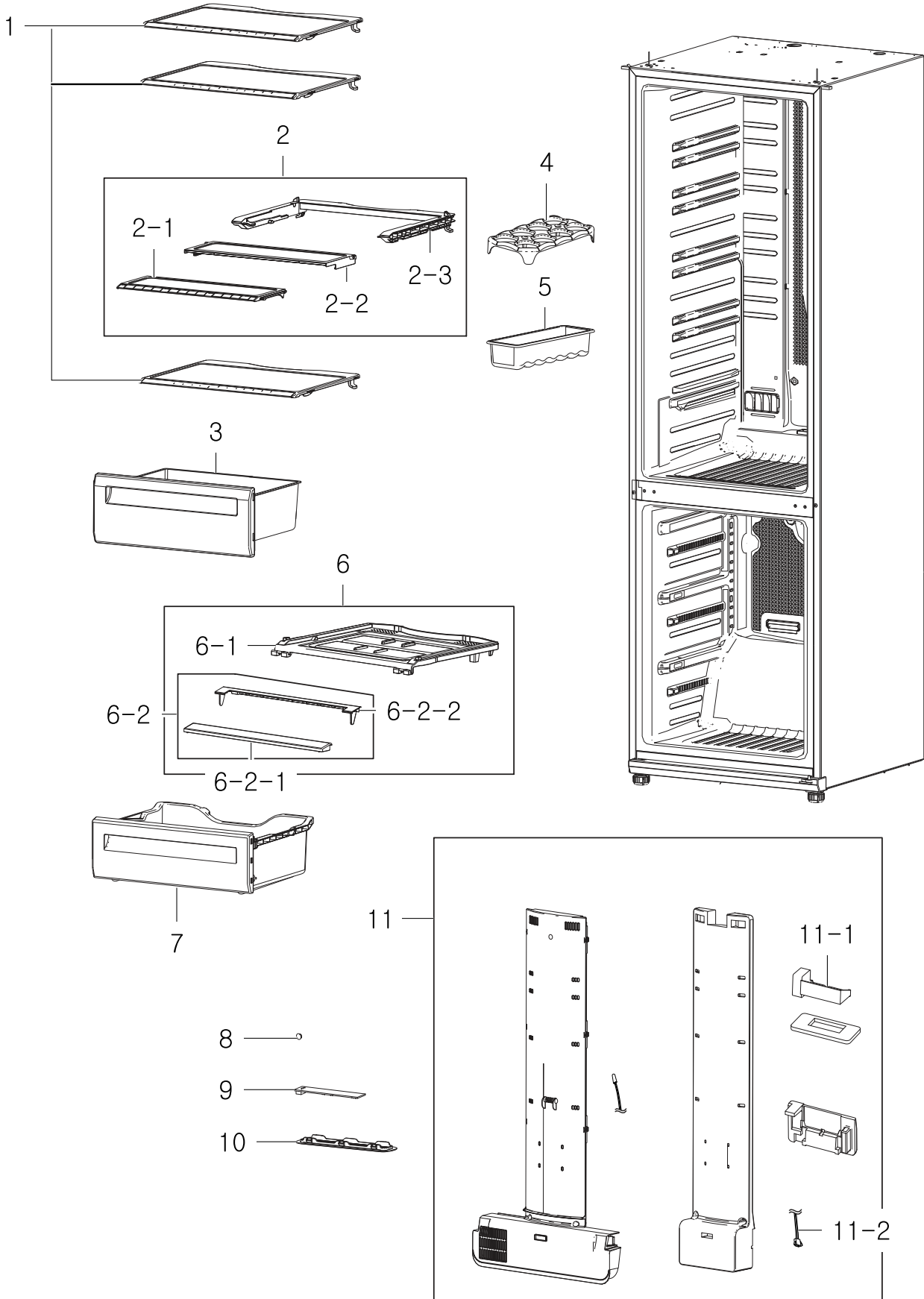


## Parts List

No.	Lvl.	Loc.	Material Code	Description & Specification	SNA	Qty.
1	2	RM088	DA63-04476A	TRAY ICE; NW2-PJT,PP,-,-,-,-,COOL WHT,-	SA	1
2	2	RI242	DA97-04099B	ASSY TRAY-FRE UPP; CORE-PJT,-,-,-,SC-0274	SA	1
3	2	RG158	DA97-07808A	ASSY TRAY-FRE MID; SVETA-PJT,3 PIECE	SA	2
4	2	RI057	DA97-07809A	ASSY TRAY-FRE LOW; SVETA-PJT,3 PIECE	SA	1
5	2	RI222	DA63-02902B	COVER-FIXER HOUSING V; NEXT-PJT,GALVA,T0.	SA	1
6	2	RF006	DA97-04020C	ASSY COVER-EVAP FRONT; CORE-PJT,SAEL NTR	SA	1
7	2	RF524	DA97-04244L	ASSY COVER-EVAP REAR(AC); CORE,220V~240V	SA	1
7-1	3	RH808	DA31-00103H	MOTOR FAN-AC; IS-27210SNC5B,CORE,66 15%	SA	1
7-2	3	RG065	DA31-00148A	FAN-AX112W5CCI; -,LMF,ABS,-,HF0660I	SA	1
7-3	3	RR053	DA61-20128A	SPRING ETC-FAN; STS304,PI8.8,ID7.8,OD9.8,	SA	1
7-4	3	RF464	DA32-00006G	SENSOR TEMP-F DEF BBC; PX-41C,BBC,-,5V,-,	SA	1
7-5	3	RR066	DA63-40167A	GROMMET-COVER CHIL; SILICON,L16,WHITE	SA	1
7-6	3	RF319	DA63-03076B	COVER EVAP-REAR; CORE-PJT,PPSCRAP,-,W421.	SA	1
7-7	3	RY355	DA63-00771A	GROMMET-FAN MOTOR; OMEGA,NBR,-,-,-,-,BL	SA	1
7-8	3	RK171	DA63-01283C	COVER-MOTOR; AD,PP,NTR,AC,BJ730	SA	1
8	2	RF011	DA96-00280K	ASSY EVAP-FRE; SVETA,PIN,220~240V	SA	1
8-1	3	RR244	DA47-10148X	THERMO FUSE-ASSY; SVETA,* ,250,10A,77-4,AS	SA	1
8-2	3	RG124	DA61-02901A	FIXER-SENSOR EVAP; CORE-PJT,PP,-,NTR,-	SA	1
8-3	3	RF492	DA60-00153A	SPACER-EVAP L; CORE-PJT,FOAM PS,-,-,-,-,-	SNA	1
8-4	3	RG108	DA32-00006S	SENSOR TEMP-R-DEF; PX-41C, 502AT,AW-PJT,-	SA	1
8-5	3	RF124	DA60-00154A	SPACER-EVAP R; CORE-PJT,FOAM PS,-,-,-,-,-	SNA	1
8-6	3	RK962	DA71-00152A	BRACKET-DRAIN; SR-32,35,A1050H16,T0.6,-,-	SA	1

# 2. Fridge

## Exploded View

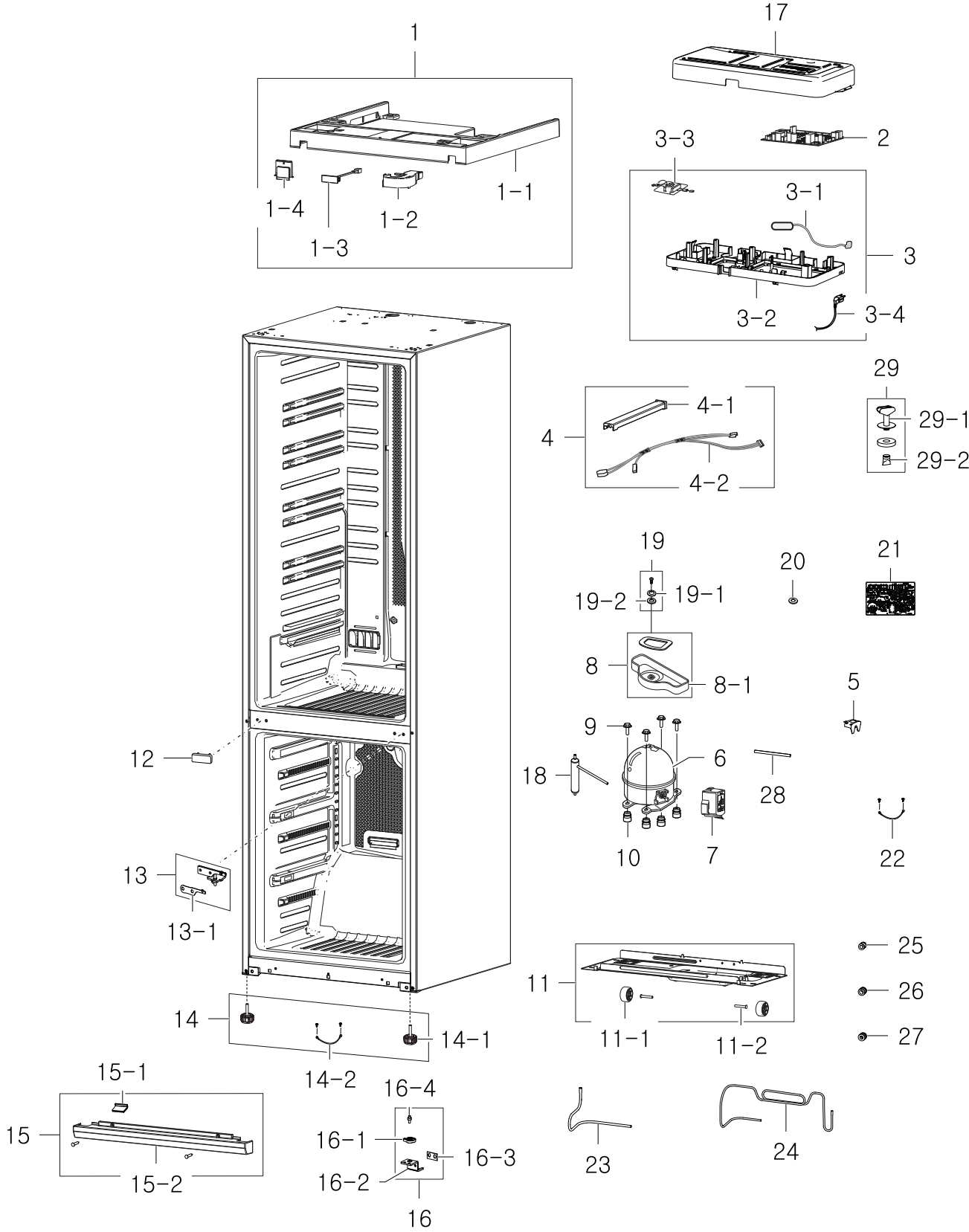


**Parts List**

No.	Lvl.	Loc.	Material Code	Description & Specification	SNA	Qty.
1	2	RI037	DA97-07794B	ASSY SHELF REF; SVETA-PJT,STS.TRIM	SC	3
2	2	RG165	DA97-07830B	ASSY SHELF-FOLD; SVETA-PJT,INSERT	SC	1
2-1	3	RI472	DA97-08177B	ASSY SHELF-FOLD A; SVETA-PJT,STS, TRIM	SA	1
2-2	3	RI470	DA67-02381A	SHELF-FOLD B; SVETA-PJT,ABS,COOL WHITE,IN	SA	1
2-3	3	RI471	DA67-02386A	SHELF-FRAME FOLD; SVETA-PJT,ABS,COOL WHIT	SA	1
3	2	RI087	DA97-07814A	ASSY CASE-VEG HIGH; SVETA-PJT,3 PIECE	SA	1
4	2	RE355	DA63-03869A	TRAY-EGG; TD-PJT,PP,T2,99,189,WHITE	SC	1
5	2	RE355	DA63-05113A	TRAY EGG; SVETA-PJT,GPPS,TRP	SA	1
6	2	RI247	DA97-07792B	ASSY COVER-CHILLED HIGH; SVETA-PJT,3PIECE	SA	1
6-1	3	RI327	DA63-04709A	COVER-CHILLED UPP A; CORE,HIPS,-,-,-,-,-,	SA	1
6-2	3	RI516	DA97-08537B	ASSY COVER-CHILLED HIGH FRONT; SVETA-PJT,	SA	1
6-2-1	4	RI495	DA63-05108A	COVER-CHILLED HIGH FRONT; SVETA-PJT,SAN,N	SA	1
6-2-2	4		DA64-03035A	TRIM-COVER CHILLED HIGH; SVETA-PJT,HIPS,C	SNA	1
7	2	RI136	DA97-07780A	ASSY TRAY-CHILLED; SVETA-PJT,EXP, 3PIECE	SA	1
8	2	RK037	DA67-30266K	CAP-SCREW; A-TOP,PP,SC-02740R,-,-,Cool-wh	SA	1
9	2	RK387	DA41-00519B	PBA-LED LAMP; GUGGENHEIM-PJT,CEM-1,100*20	SA	1
10	2	RI370	DA63-06849A	COVER LAMP-LED FRONT; POLARIS,PC,TRANSPAR	SA	1
11	2	RI019	DA97-08249A	ASSY COVER-MULTI REF; SVETA, RL55E,CHILLE	SA	1
11-1	3	RK368	DA31-00043F	MOTOR DC-DAMPER; -,CORE-PJT,Max 60mA,-,-,	SA	1
11-2	3	RR375	DA32-10105R	SENSOR TEMP; 502AT,ET-PJT,-50~50,5V,1000	SA	1

# 3. Cabinet

## Exploded View



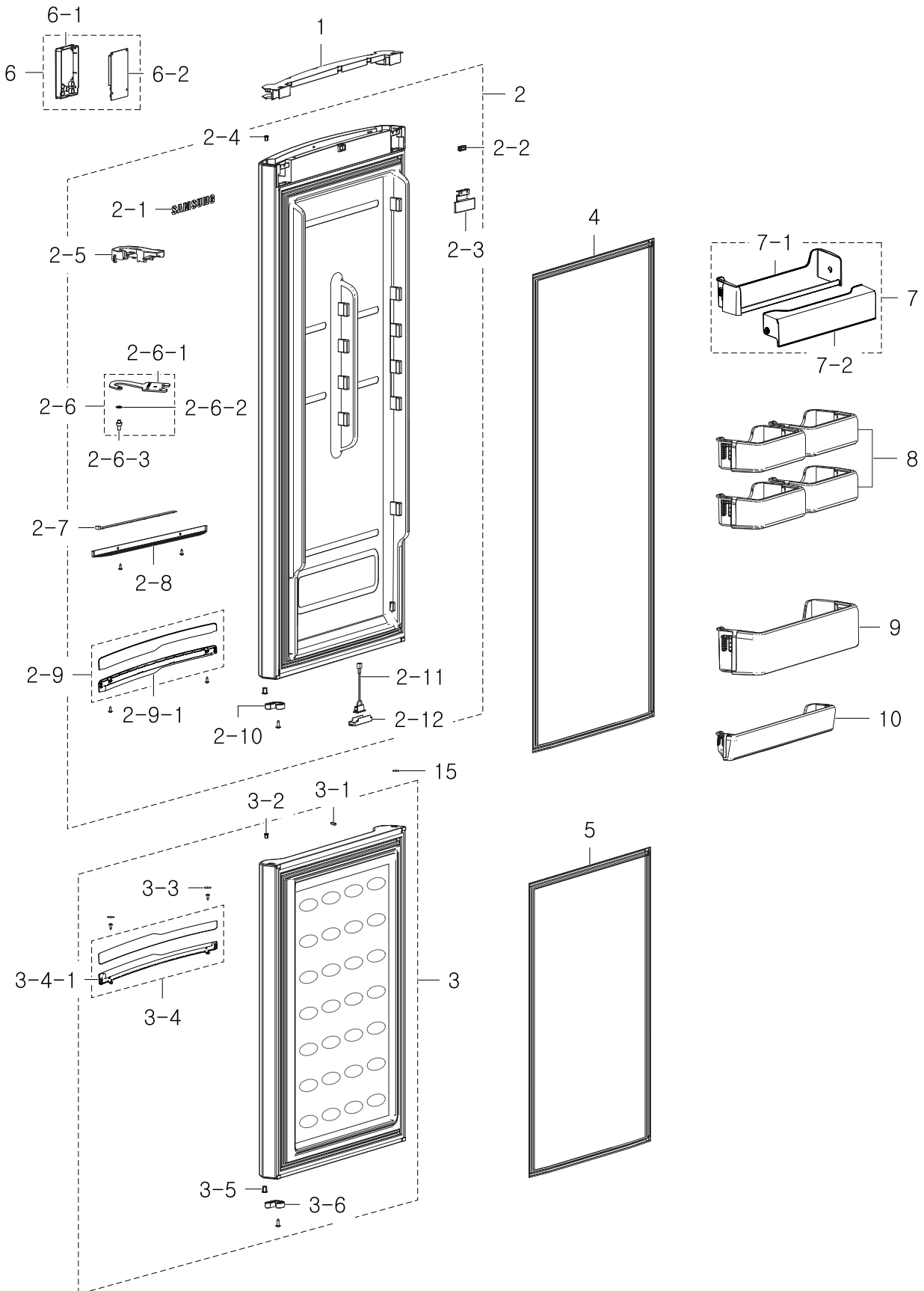
## Parts List

No.	Lvl.	Loc.	Material Code	Description & Specification	SNA	Qty.
1	2	RO268	DA97-07770L	ASSY CAP-CABI; SVETA-PJT,HIPS,INOX,LED DI	SA	1
1-1	3	RO269	DA67-02369C	CAP-CABI; SVETA-PJT,ABS,INOX(SC-06034R)	SA	1
1-2	3	RO454	DA63-03029B	COVER-WIRE HINGE L; CORE-PJT,PP,-,-,-,-	SA	1
1-3	3	RK819	DA34-00043A	SWITCH REED-ASS'Y; 200VDC,1.5,-	SA	1
1-4	3	RR231	DA67-01433H	CAP-HOLE HINGE UPP; CORE-PJT,HIPS,-,W37.1	SA	1
2	1	RY475	DA92-00239C	ASSY PCB MAIN; 12V,5V,E-PANEL,SVETA-PJT,E	SA	1
3	2	RO270	DA97-11941A	ASSY CASE-PBA MAIN; SVETA,ASSY	SA	1
3-1	3	RK691	DA32-00011Z	SENSOR TEMP; PX-41C,SVETA-PJT,-40~110	SA	1
3-2	3	RO285	DA61-07747A	CASE PCB-PANEL; HIPS,NTR,VE-1877	SA	1
3-3	3	RH083	DA27-00032A	COIL FILTER-EMI; 400L,8.0mH,60*82mm,BOX,S	SA	1
3-4	3	RK076	DA39-10115D	CBF-POWER CORD; UCP-2,250V,10/16A,L2100,-	SA	1
4	2	RO190	DA97-11904F	ASSY COVER-WIRE CABI; SVETA,E OPTION,ASSY	SNA	1
4-1	3	RR229	DA63-03074B	COVER-WIRE CABI; CORE/SVETA,PP SCRAP,NTR	SA	1
4-2	3	RO200	DA96-00580J	ASSY W/HARNESS-CABI; SVETA INV COMP J,W,E	SA	1
5	2	RO354	DA34-00004B	RELAY PROTECTOR O/L; BK190GL2C,S/T_11.4A,	SA	1
6	2		MSV4A1AL1J/E01	COMPRESSOR,BLDC IPM,11.1CC,115/220V,STAI; COMPRESSOR,BLDC IPM,11.1CC,115/220V,STAI	SA	1
7	2		DA63-06122A	COVER-RELAY; MSV,N300X,T2.1,BLACK	SA	1
8	2	RH003	DA97-11949A	ASSY TRAY-DRAIN WATER; SVETA PJT,BLACK	SA	1
8-1	3	RO361	DA63-05124A	TRAY-DRAIN WATER; SVETA-PJT,CR-SPCC,BLACK	SA	1
9	2		6011-004061	BOLT-HEX; M6,L42.6,SWCH10A	SA	4
10	2	RH732	DA63-02617A	GROMMET COMP; USP05,EPDM,OD27.0,BLACK	SA	4
11	2	RO002	DA97-03896A	ASSY CHASSIS-COMP; CORE-PJT,SBHG1,T1.0,-,	SA	1
11-1	3	RR242	DA61-40126B	CASTER-REAR; REF-ALL,PP,NATURAL	SC	2
11-2	3	RH064	DA60-90146A	PIN-CASTER; SR-289-429,MSWR10,OD6.0,L38,Z	SA	2
12	2	RO083	DA67-00195A	CAP-HINGE HOLE-MID; SR-32,35,ABS,WHT	SA	1
13	2	RO039	DA97-03900C	ASSY HINGE-MID; SVETA-PJT,T4.0,Ni-Cr Plat	SA	1
13-1	3	RK764	DA63-03028A	SHIM HINGE-MID; CORE,HIPS,T1.0,NTR	SA	1

No.	Lvl.	Loc.	Material Code	Description & Specification	SNA	Qty.
14	2	RU423	DA97-13417A	ASSY CABINET-BOTTOM; SVETA,PP_SCRAP,595.0	SNA	1
14-1	3	RO100	DA61-00805F	FOOT-FRONT; REF-ALL,PP+MSWR10,BLACK,PP_S	SA	2
14-2	3	RK925	DA39-00429A	WIRE HARNESS-EARTH; YellowGreen,ST710489-	SC	1
15	2	RO003	DA97-07755C	ASSY COVER LEG FRONT; SVETA-PJT,PP,INOX	SA	1
15-1	3	RO085	DA67-01434B	CAP-HOLE HINGE LOW; CORE-PJT,PP,-,-,SC-	SA	1
15-2	3	RO287	DA63-05089C	COVER-LEG FRONT; SVETA-PJT,PP,INOX	SA	1
16	2	RO036	DA97-03947C	ASSY HINGE-LOW; CORE-PJT,T4.0,-,-,PAINTIN	SA	1
16-1	3	RE470	DA61-02756B	GUIDE-AUTO CLOSE; CORE-PJT,PA66(Zytel 318	SA	1
16-2	3	RO598	DA61-02753A	HINGE-LOW; CORE,SHP1,T4.0,-,-,-,BLACK	SA	1
16-3	3	RX034	DA63-03202A	SHIM HINGE-LOW; CORE-PJT,HIPS,T1.5,-,-,-	SA	1
16-4	3	RO790	DA66-00385A	SHAFT-HINGE; CORE,SWCH10A,-,OD6,-,-,ZPC3(	SA	1
17	2	RO286	DA63-06646A	COVER PCB-PANEL; SVETA,GI-SGCC,T0.5,W481.	SA	1
18	2	RH044	DA62-04309C	DRYER; C1220T,6	SA	1
19	2	RS707	DA60-00018A	SCREW MACHINE; TH,+PASS,STS304	SA	1
19-1	3	RF494	DA60-40104J	WASHER; T3-PJT,STS304,WHITE,T0.8	SNA	1
19-2	3		DA60-00015A	FASTENER-WASHER; T3-PJT,NBR,PI 3.7	SNA	1
20	2	RR241	DA66-00073B	SHAFT-WASHER; RD-PVC,SR-32,35,-,-,T1.0,	SA	1
21	1	RO326	DA92-00155A	ASSY PCB SUB INVERTER; 12V, 5V,-,Gran Cru	SA	1
22	2	RK934	DA39-20389L	WIRE HARNESS-EARTH; 1,YELLOW/GREEN,ST 710	SC	1
23	2	RH085	DA62-01226B	PIPE-CONNECT SUCTION; CORE-PJT,C1220T-0,-	SA	1
24	2	RR326	DA62-03401A	PIPE-CONNECT IMMERSION; SVETA,SWST,OD4.76	SA	1
25	2		DA60-00279A	FITTING-LOKRING 16; GRAND/SAM/HERMES,11SM	SA	2
26	2		DA60-00280A	FITTING-LOKRING 33; GRAND/SAM/HERMES,11SM	SA	1
27	2		DA60-00281A	FITTING-LOKRING 43; GRAND/SAM/HERMES,11SM	SA	1
28	2	RH026	DA73-10190U	PIPE-CONNECT DISC,B; TD-PJT,C1220-T,OD6.3	SA	1
29	3		DA62-00017A	TUBE-DRAIN FRE-ASSY; PP,-,-,-,SR-32,35,	SNA	1
29-1	4		DA62-00009A	TUBE-DRAIN FRE; PP,-,-,-,SR-32,35,-	SNA	1
29-2	4	RO162	DA63-00246B	GROMMET-DRAIN HOSE; CORE-PJT,NBR,-,-,-,-	SA	1

# 4. Door

## Exploded View





## Parts List

No.	Lvl.	Loc.	Material Code	Description & Specification	SNA	Qty.
1	2	RO186	DA63-05138B	COVER-WIRE DOOR; SVETA-PJT,HIPS,INOX	SA	1
2	2	RE001	DA91-03741A	ASSY DOOR FOAM-REF; SVETA,RL55,SUSLIKE-IN	SA	1
2-1	3	RO716	DA64-04020B	MASCOT; ALL,NI,T0.05,L80	SA	1
2-2	4	RY503	DA61-02738C	MAGNET-ASSY; CORE,ABS (HG-0760H G31834),5	SA	1
2-3	4	RE121	DA67-01437B	CAP-SPACE DOOR; CORE-PJT,HIPS,-,-,SC-06	SA	1
2-4	4	RO116	DA63-03046A	GROMMET-HINGE; CORE PJT,NY-66,L14,ID6,OD1	SA	2
2-5	4	RO456	DA63-03030B	COVER-WIRE HINGE R; CORE-PJT,PP,-,-,-,-	SA	1
2-6	4	RO040	DA97-03899A	ASSY HINGE-UPP; CORE,T4.5,-,-,PAINTING(BL	SA	1
2-6-1	5	RR232	DA61-02751A	HINGE-UPP; CORE,SHP1,T4.5,-,-,PAINTING(BL	SA	1
2-6-2	5	RR377	DA66-00073C	SHAFT-WASHER, C; RD-PVC,SR-32,35,-,-,-,T1	SA	1
2-6-3	5	RO790	DA66-00385A	SHAFT-HINGE; CORE,SWCH10A,-,OD6,-,-,ZPC3(	SA	1
2-7	4	RK397	DA41-00676A	PBA-LED LAMP; SVETA-PJT,FR-4,300*10*1.6t,	SA	1
2-8	4	RE234	DA63-05105A	COVER-LAMP HANDLE; SVETA-PJT,PP,NTR,BASIC	SA	1
2-9	4	RE233	DA97-07776Z	ASSY COVER-HANDLE REF; SVETA-PJT,STS430J1	SA	1
2-9-1	5	RO054	DA63-05104G	COVER-HANDLE REF; SVETA-PJT,ABS,523.6,54.	SA	1
2-10	4	RE440	DA61-02773B	STOPPER-DOOR; CORE-PJT,POM(DE8903),-,-,-,	SA	1
2-11	4	RK819	DA34-00043A	SWITCH REED-ASSY; 200VDC,1.5,-	SA	1
2-12	4	RE235	DA67-02385C	CAP-REED SWITCH; SVETA-PJT,PP,T1.5,75.5,1	SA	1
3	2	RD001	DA91-03741P	ASSY DOOR FOAM-FRE; SVETA,RL55,SUSLIKE-IN	SA	1
3-1	5	RY479	DA61-03769A	MAGNET-A; HERMES,-,5x7x18,-,-,1200Gauss	SA	1
3-2	5	RO116	DA63-03046A	GROMMET-HINGE; CORE PJT,NY-66,L14,ID6,OD1	SA	1
3-3	4	RD238	DA67-01782K	CAP-SCREW INLAY; SVETA,ABS,INOX(SC-06034R	SA	2
3-4	4	RD239	DA97-07777Y	ASSY COVER-HANDLE FRE; SVETA-PJT,STS430J1	SA	1
3-4-1	5	RO053	DA63-05099G	COVER-HANDLE FRE; SVETA-PJT,ABS,523.6,54.	SA	1
3-5	5	RO116	DA63-03046A	GROMMET-HINGE; CORE PJT,NY-66,L14,ID6,OD1	SA	1
3-6	5	RE440	DA61-02773B	STOPPER-DOOR; CORE-PJT,POM(DE8903),-,-,-,	SA	1
4	2	RR238	DA97-07366K	ASSY-GASKET DOOR REF; SVETA-PJT,RL45, SC-	SA	1

## Exploded Views and Parts List

No.	Lvl.	Loc.	Material Code	Description & Specification	SNA	Qty.
5	2	RU513	DA97-07366J	ASSY-GASKET DOOR FRE; SVETA-PJT,SC-97487,	SA	1
6	2	RE245	DA97-07873A	ASSY COVER-DISPLAY LED; SVETA-PJT,LED	SA	1
6-1	3	RE250	DA63-05146A	COVER-DISPLAY LED; SVETA-PJT,ABS,DARK-GLA	SA	1
6-2	3	RR572	DA41-00662A	ASSY PCB KIT LED; SVETA(E OPTION),DOOR RE	SA	1
7	2	RE028	DA97-07787A	ASSY GUARD-DAIRY; SVETA-PJT	SA	1
7-1	3	RE390	DA63-05116A	GUARD-DAIRY; SVETA-PJT,PP,COOL WHITE	SA	1
7-2	3	RE386	DA63-05119A	COVER-GUARD DAIRY; SVETA-PJT,GPPS,TRP	SA	1
8	2	RE244	DA97-07785B	ASSY GUARD-VARIETY; SVETA-PJT,COVER GPPS	SA	4
9	2	RE017	DA97-07784B	ASSY GUARD BOTTLE; SVETA-PJT	SA	1
10	2		DA97-07783B	ASSY GUARD REF-LOW; SVETA-PJT	SA	1
15	2	RO515	DA67-01612B	CAP-HINGE HOLE; CORE-PJT,PP,-,-,-,INOX,-	SA	1