

---

# 1. EXPLODED VIEWS AND PARTS LIST

---

## [MATERIAL CODE STANDARDS]

Material codes and names and their respective naming rules are managed in accordance with the prescribed standards. Please refer to these standards when requesting a material.

### 1. Material Code Type

● : Number

■ : Letter (Alphabet)

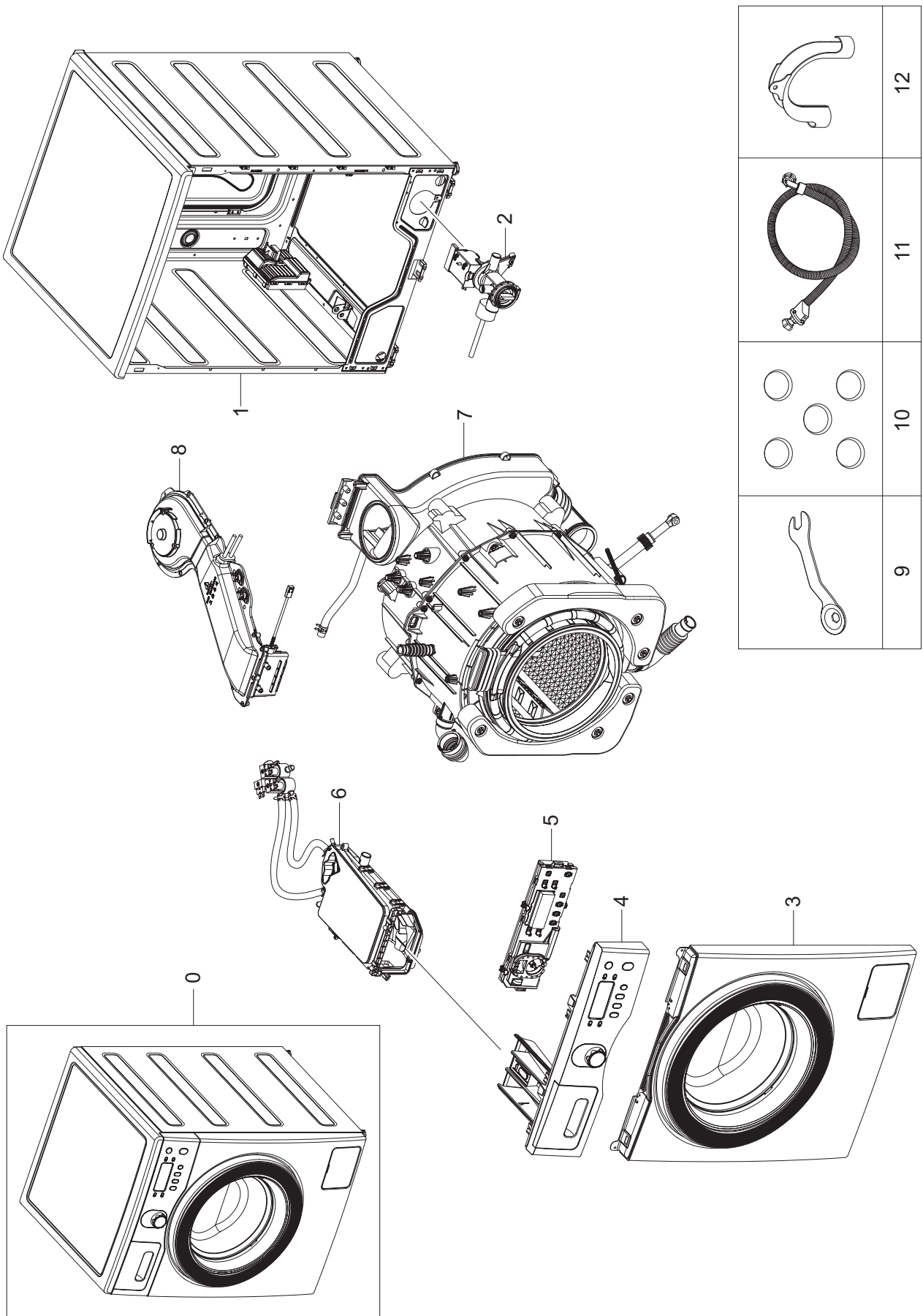
|               |  |   |
|---------------|--|---|
| <b>Type 1</b> | ●●●●-●●●●<br>ex) 0204-000418 FREON         | <b>Enterprise-wide parts</b><br>Type 1 materials can be used for all Samsung Electronics products.<br>(Most electrical parts belong to this type.)            |
| <b>Type 2</b> | ■■●●-●●●●■<br>ex) DC96-01390A ASSY-CONTROL | <b>Division-wide parts (DC**-Washing machine)</b><br>Type 2 materials can be used for specific products.<br>(Most instruments and tools belong to this type.) |



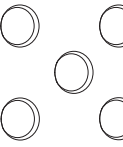

### 2. Ass'y Materials

All ass'y material codes start with DC9\*.

An ass'y material is created by combining more than two materials. If a requested material cannot be provided, you can request an ass'y material that contains that material.

# 1-1. MAIN



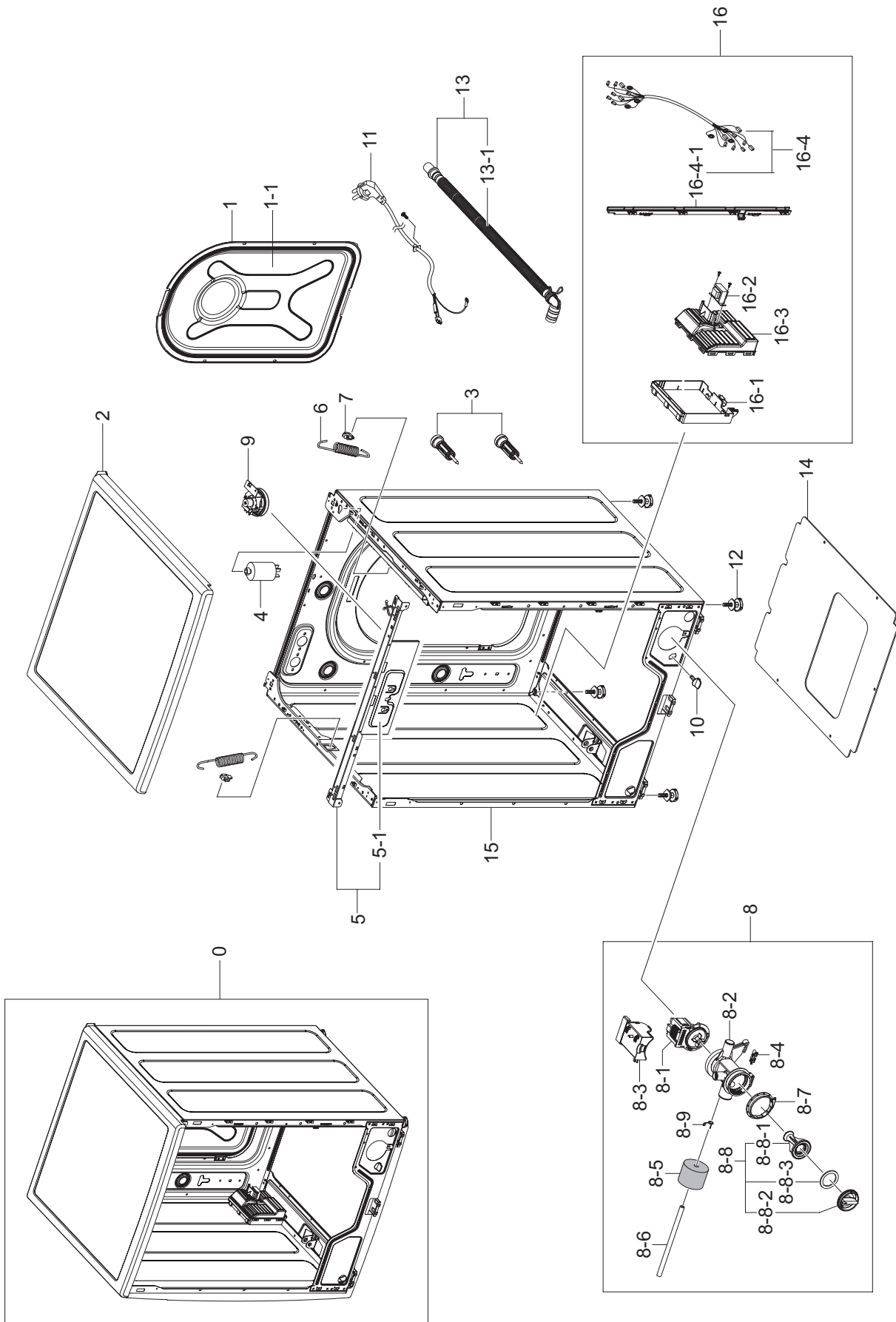
|  |    |
|--|----|
|   | 12 |
|   | 11 |
|   | 10 |
|  | 9  |

---

**MODEL CODE: WD8702RJH1/XEC**Service Bom (**SA**: SERVICE AVAILABLE, **SNA**: SERVICE NOT AVAILABLE)

| Drawing No. | Code No.               | Description              | Specification                  | QTY | Un | SA/SNA |
|-------------|------------------------|--------------------------|--------------------------------|-----|----|--------|
| 0           | WD8704RJF1_XET         | SET                      |                                |     |    |        |
| 1           | DC97-16449R            | ASSY PAINT FRAME         | HEBA-COMBO,WD8704DJF1/Y        | 1   | PC | SA     |
| 2           | DC96-01533A            | ASSY PUMP DRAIN          | WF8804DP,ADV-FILTER/ISOL       | 1   | PC | SNA    |
| 3           | DC97-16454A            | ASSY FRAME FRONT         | HEBA-PJT,WF8804DPA/XEO,        | 1   | PC | SA     |
| 4           | PANEL-CONTROL & DRAWER | Referto5.4Control&Drawer | 1                              |     |    |        |
| 5           | DC92-00248G            | ASSY PCB SUB             | P171,HEBA DD SUB,WD8702RJA/    | 1   | PC | SA     |
| 6           | DC97-14654G            | ASSY HOUSING DRAWER      | HEBA-COMBO,WF8704RJA           | 1   | PC | SA     |
| 7           | DC90-13645A            | ASSY TUB&DRUM            | WD8702RJA1/XEP                 | 1   | PC | SNA    |
| 9           | DC60-00104A            | FASTENER-BOLT            | ALL,CR,OD36,2.5,L113.5         | 1   | PC | SA     |
| 10          | DC67-00307A            | CAP-FIXER                | WF438AAC/XAA,PP,T1.5,RECYCLE,B | 4   | PC | SA     |
| 12          | DC97-16921A            | ASSY HOSE WATER          | WA5700J                        | 1   | PC | SC     |
| 13          | DC62-10278A            | HOSE HANGER              | PUMP MODEL,PP,BLACK            | 1   | PC | SA     |
| 14          | DC67-00208B            | CAP-FIXER                | WF8602NHS/XFA,PP,T1.5,P535-H,B | 1   | PC | SA     |

## 1-2. FRAME & COVER PARTS



**MODEL CODE: WD8702RJH1/XEC**Service Bom (**SA**: SERVICE AVAILABLE, **SNA**: SERVICE NOT AVAILABLE)

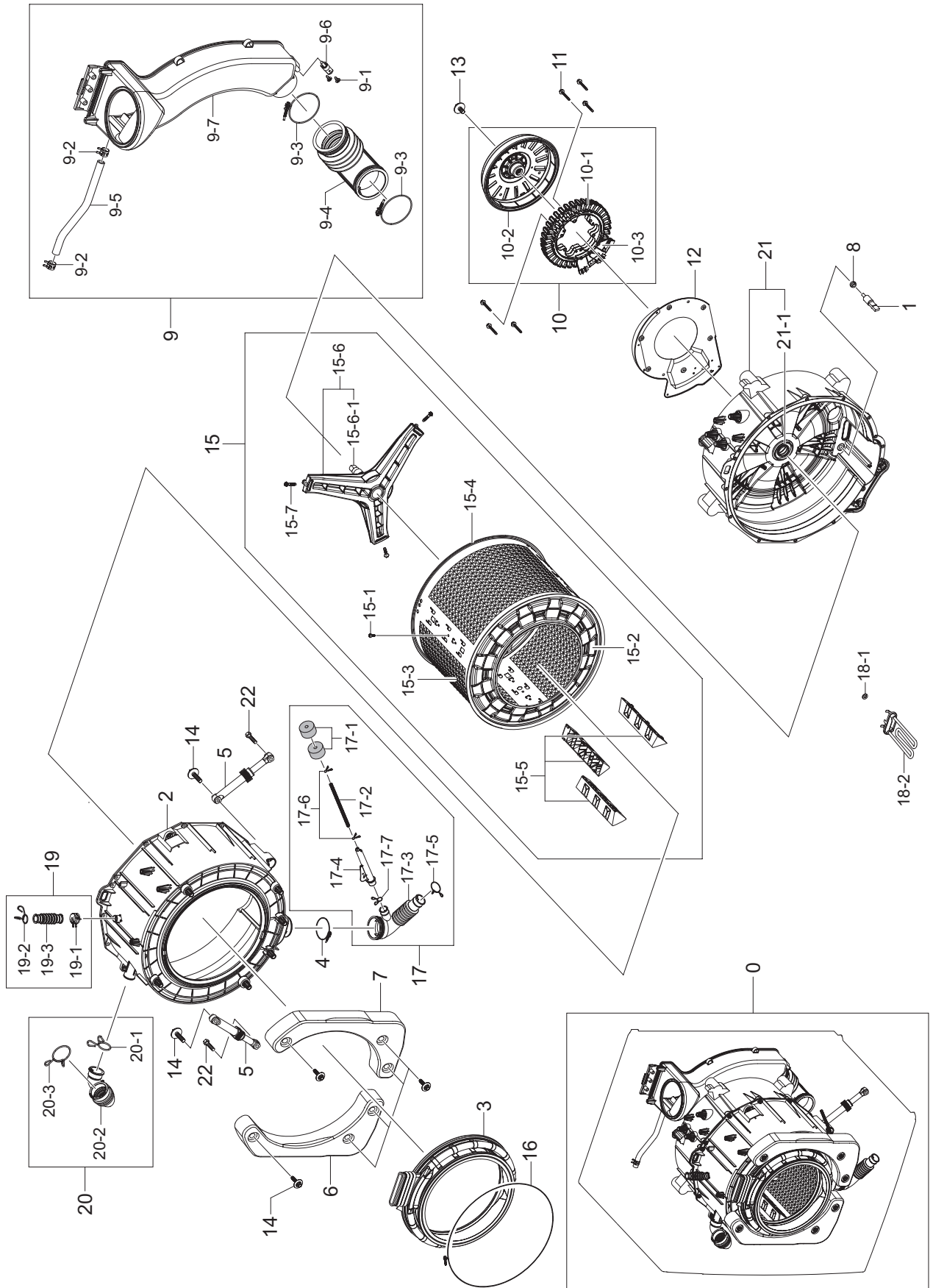
| Drawing No. | Code No.            | Description                      | Specification                    | QTY | Un | SA/SNA |
|-------------|---------------------|----------------------------------|----------------------------------|-----|----|--------|
| 0           | FRAME & COVER PARTS | Refer to 5.2 Frame & Cover Parts | 1                                |     |    |        |
| 1           | DC97-17948B         | ASSY COVER BACK                  | AEGIS                            | 1   | PC | SA     |
| 1-1         | DC63-00862C         | COVER BACK                       | WF8600NMW,GI-SGCC,T0.35,W352,    | 1   | PC | SA     |
| 2           | DC97-14953A         | ASSY COVER TOP                   | HEBA-PJT,-,WOOD+AL FOIL+U        | 1   | PC | SA     |
| 3           | DC97-14794C         | ASSY FIXER TUB                   | SCOUT,WF0704L7W/XEF              | 4   | PC | SA     |
| 4           | DC29-00015F         | FILTER EMI                       | LFT-215K,500Khz,VDE, KS,6.5mH    | 1   | PC | SA     |
| 5           | DC97-15557A         | ASSY FRAME PLATE(U)              | HEBA-COMBO,WD8704DJF             | 1   | PC | SA     |
| 5-1         | DC61-02376A         | BRACKET DUCT SCROLL              | HEBA-COMBO,GI-SGCC,T             | 1   | PC | SNA    |
| 6           | DC61-02029B         | SPRING ETC-HANGER                | HEBA 7kg,HSWR-SWRH,CD3           | 2   | PC | SA     |
| 7           | DC61-02065A         | GUIDE SPRING                     | WF448AAG/XXA,POM,T4,W24,L36      | 2   | PC | SA     |
| 8           | DC96-01533A         | ASSY PUMP DRAIN                  | WF8804DP,ADV-FILTER/ISOL         | 1   | PC | SNA    |
| 8-1         | DC31-30008D         | PUMP-DRAIN                       | SW-70XP,220/240V,50Hz,SYNCHRO    | 1   | PC | SA     |
| 8-2         | DC61-01951A         | CASE PUMP                        | WF8804DP,PP,T2.5,W128,L108,-,-   | 1   | PC | SNA    |
| 8-3         | DC63-01410A         | COVER PUMP                       | COVER-PUMP,PP,T1.3,W50,L77,V0    | 1   | PC | SNA    |
| 8-4         | DC63-00905A         | CUSHION PUMP                     | WF8802DPF/XET,NBR,-,W37.6,L      | 1   | PC | SNA    |
| 8-5         | DC63-10003A         | SPONGE-HOSE AIR                  | T20,BLK                          | 1   | PC | SNA    |
| 8-6         | DC67-00244K         | HOSE DRAIN                       | HEBA,EPDM,ID6,OD10,T2.0,L200,    | 1   | PC | SA     |
| 8-7         | DC69-01128A         | PACKING-PUMP                     | WF8804DP,IIR,BUTYL,T2.5,HEB      | 1   | PC | SNA    |
| 8-8         | DC97-14278B         | ASSY FILTER                      | HEBA,WF0804Y8E1/YLP              | 1   | PC | SNA    |
| 8-8-1       | DC63-00865A         | FILTER PUMP                      | WF8804DP,PP                      | 1   | PC | SA     |
| 8-8-2       | DC64-02783A         | HANDLE FILTER                    | WF350ANW/XAA,PP,T2.3,W63.8       | 1   | PC | SA     |
| 8-8-3       | DC73-00022A         | SEAL PACKING                     | SEW-HVR149ATA,EPDM,BLK,-         | 1   | PC | SA     |
| 8-9         | DC65-00008B         | CLAMPER HOSE                     | SSEC-GE,SK5,-,Dacromet,T1.0      | 4   | PC | SNA    |
| 9           | DC96-01703B         | SENSOR PRESSURE                  | Air,5V,-,400mmH20,-              | 1   | PC | SA     |
| 10          | DC61-10673C         | CAP DRAIN                        | WF1802XEY/XSC,FRPP,BLACK         | 1   | PC | SA     |
| 11          | DC96-00146A         | CBF-POWER CORD                   | AT,EUROPE,EU3F,Gray,1500,        | 1   | PC | SA     |
| 12          | DC97-00920H         | ASSY LEG                         | -,ALL EXCEPT AUSTRALI MODEL,L33  | 4   | PC | SA     |
| 13          | DC97-02250Z         | ASSY HOSE DRAIN(O)               | HEBA-PJT,GRY                     | 1   | PC | SA     |
| 13-1        | DC62-10022G         | HOSE PUMP                        | SWF-P12,PP,-,-,LIGHT GRAY        | 1   | PC | SNA    |
| 14          | DC64-01757A         | SHUTTER                          | HEBA-PJT,PP,T3.0,-,-,WHT,7kg/DAN | 1   | PC | SA     |
| 15          | DC97-16439M         | ASSY FRAME                       | HEBA-COMBO,W8704DJF1/YAH,PCM(    | 1   | PC | SNA    |
| 16          | DC92-00822B         | ASSY PCB MAIN UNION              | HEBA COMBO                       | 1   | PC | SC     |
| 16-1        | DC92-00247B         | ASSY PCB MAIN                    | P171,HEBA DD/GE WASHER,HEB       | 1   | PC | SNA    |
| 16-2        | DC26-00009D         | COIL HARMONIC                    | 8.5mH,±15%,SILICON STEEL 0       | 1   | PC | SA     |
| 16-3        | DC63-01040B         | COVER-PCB(M)                     | WF9904RWE/XEU,HIPS,T2.5,W19      | 1   | PC | SA     |

---

**MODEL CODE: WD8702RJH1/XEC**Service Bom (**SA**: SERVICE AVAILABLE, **SNA**: SERVICE NOT AVAILABLE)

| <b>Drawing No.</b> | <b>Code No.</b> | <b>Description</b>        | <b>Specification</b> | <b>QTY</b> | <b>Un</b> | <b>SA/SNA</b> |
|--------------------|-----------------|---------------------------|----------------------|------------|-----------|---------------|
| 16-4               | DC96-00929E     | ASSY WIRE HARNESS         | HFR178RTW            | 1          | PC        | SNA           |
| 16-4-1             | DC93-00468A     | ASSY M.GUIDE WIRE HARNESS | DRUM,Heba Comb       | 1          | PC        | SA            |

# 1-3. ASS'Y TUB DRUM



## MODEL CODE: WD8702RJH1/XEC

Service Bom (SA: SERVICE AVAILABLE, SNA: SERVICE NOT AVAILABLE)

| Drawing No. | Code No.    | Description                 | Specification                      | QTY | Un | SA/SNA |
|-------------|-------------|-----------------------------|------------------------------------|-----|----|--------|
| 0           | DC90-13645A | ASSY TUB&DRUM               | WD8702RJA1/XEP                     | 1   | PC | SNA    |
| 1           | DC32-00010C | THERMISTOR                  | WASHER,-10~100,5,5,3.243k ± 2      | 1   | PC | SA     |
| 2           | DC61-01933A | TUB FRONT                   | HEBA PJT,FRPP,NATURAL,7KG          | 1   | PC | SA     |
| 3           | DC64-01827A | DOOR DIAPHRAGM              | WD8704DJF,EPDM,T1.5,H83,W          | 1   | PC | SA     |
| 4           | DC65-00021B | CLAMPER HOSE-JOINT          | HEBA-PJT,HSWR-SWRH,ID              | 2   | PC | SNA    |
| 5           | DC66-00421B | DAMPER SHOCK                | HEBA-SSEC PJT,PP,L215,80N          | 2   | PC | SC     |
| 6           | DC67-00580A | WEIGHT-BALANCER(F/L)        | HEBA-PJT,CONCRETE,T                | 1   | PC | SA     |
| 7           | DC67-00581A | WEIGHT-BALANCER(F/R)        | HEBA-PJT,CONCRETE,T                | 1   | PC | SA     |
| 8           | DC69-00824A | PACKING-THERMISTOR          | GW-PJT,EPDM,-,-,W17,H              | 1   | PC | SNA    |
| 9           | DC93-00032B | ASSY DUCT CONDENSER         | HEBA COMBO,WD8700,CO               | 1   | PC | SA     |
| 9-1         | 6002-000444 | SCREW-TAPPING               | TH,+2,M4,L14,PASS,STS430           | 5   | PC | SNA    |
| 9-2         | DC65-00021B | CLAMPER HOSE-JOINT          | HEBA-PJT,HSWR-SWRH,ID              | 2   | PC | SNA    |
| 9-3         | DC65-00021B | CLAMPER HOSE-JOINT          | HEBA-PJT,HSWR-SWRH,ID              | 2   | PC | SNA    |
| 9-4         | DC67-00369A | HOSE CONDENSER              | HEBA COMBO,EPDM,ID60,OD65          | 1   | PC | SNA    |
| 9-5         | DC67-00230E | HOSE WATER                  | WD8704,TPE,ID4.5                   | 1   | PC | SNA    |
| 9-6         | DC32-00004C | THERMISTOR                  | DRYER,-20□ ~ 170□,5,5,3.3k+5%      | 1   | PC | SNA    |
| 9-7         | DC93-00031B | ASSY S.DUCT CONDENSER       | HEBA COMBO,WD8700,                 | 1   | PC | SNA    |
| 10          | DC96-01218E | ASSY DD BLDC MOTOR          | DON800,25MM/AL WIRE/0              | 1   | PC | SNA    |
| 10-1        | DC31-00074B | MOTOR BLDC-ASSY STATOR      | DON800,0~1400,-,5                  | 1   | PC | SA     |
| 10-2        | DC31-00075E | MOTOR BLDC-ASSY ROTOR       | DON800,0~1400,-,5A                 | 1   | PC | SA     |
| 10-3        | DC31-00076A | MOTOR BLDC-ASSY HALL SENSOR | DON700, 800,                       | 1   | PC | SA     |
| 11          | 6011-001627 | BOLT-ETC                    | M6,L56,MFZn,SCM435,P1.0/HEX/WSP    | 6   | PC | SNA    |
| 12          | DC63-01294A | COVER MOTOR                 | SCOUT,EGI-SECC,T0.8,W75.1,L2       | 1   | PC | SNA    |
| 13          | DC97-14263A | ASSY BOLT                   | MOTOR/BOLT(M8)+WASHER(OD27.5),     | 2   | PC | SA     |
| 14          | DC97-14263A | ASSY BOLT                   | MOTOR/BOLT(M8)+WASHER(OD27.5),     | 2   | PC | SA     |
| 15          | DC97-14373X | ASSY DRUM                   | WD0804W8E1/XEU,NEW WRAPPER         | 1   | PC | SA     |
| 15-1        | 6002-001006 | SCREW-TAPPING               | TH,+,-,2S,M4,L12,PASS,STS4         | 3   | PC | SNA    |
| 15-2        | DC66-00489A | DRUM FRONT                  | HEBA PJT,STAINLESS-STS430,ID3      | 1   | PC | SNA    |
| 15-3        | DC66-00769A | DRUM WRAPPER                | SCOUT,STAINLESS-STS430,OD 4        | 1   | PC | SNA    |
| 15-4        | DC66-00492A | DRUM BACK                   | HEBA PJT,STAINLESS-STS430,ID48     | 1   | PC | SNA    |
| 15-5        | DC66-00493A | DRUM LIFTER                 | HEBA PJT,PP,TI42,GRAY,7/8KG        | 3   | PC | SA     |
| 15-6        | DC97-14370H | ASSY FLANGE SHAFT           | WD0804W8N1/YAH                     | 1   | PC | SC     |
| 15-6-1      | DC66-00534B | SHAFT                       | AEGIS CMOBO PJT,SM45C,L171.4,OD30, | 1   | PC | SNA    |
| 15-8        | DC60-40137A | BOLT HEX                    | MARS-PJT,STS430,M8,P1.25,L30,HE    | 3   | PC | SA     |
| 16          | DC91-12077G | ASSY CLAMP DIAPHRAGM        | AEGIS,Wf8500NHw/YLP                | 1   | PC | SA     |
| 17          | DC97-14637C | ASSY HOSE PRESSURE          | combo                              | 1   | PC | SA     |
| 17-1        | -           | SPONG-HOSE AIR              | -                                  | -   | -  | -      |
| 17-2        | DC67-00418A | HOSE WATER                  | HEBA-COMBO,EPDM,ID9,OD14.5,T2      | 1   | PC | SNA    |
| 17-3        | DC67-00293A | HOSE FILTER TUB             | HEBA-PJT,EPDM,-,-,T2.5,-           | 1   | PC | SA     |
| 17-4        | DC67-00297A | HOSE JOINT AIR              | HEBA&Aegis-PJT,PP,L167.3,          | 1   | PC | SNA    |
| 17-5        | DC72-00001G | CLIP RING                   | HEBA-PJT,HSWR-SWRH,T3.0,ID49.5     | 1   | PC | SNA    |
| 17-6        | DC61-70029C | CLIP RING                   | SEW-HW125,HSWR,WHITE               | 2   | PC | SNA    |
| 17-7        | DC65-60125B | CLIP RING                   | HSWR-SWRH,PI2.4,ID25,-             | 1   | PC | SNA    |

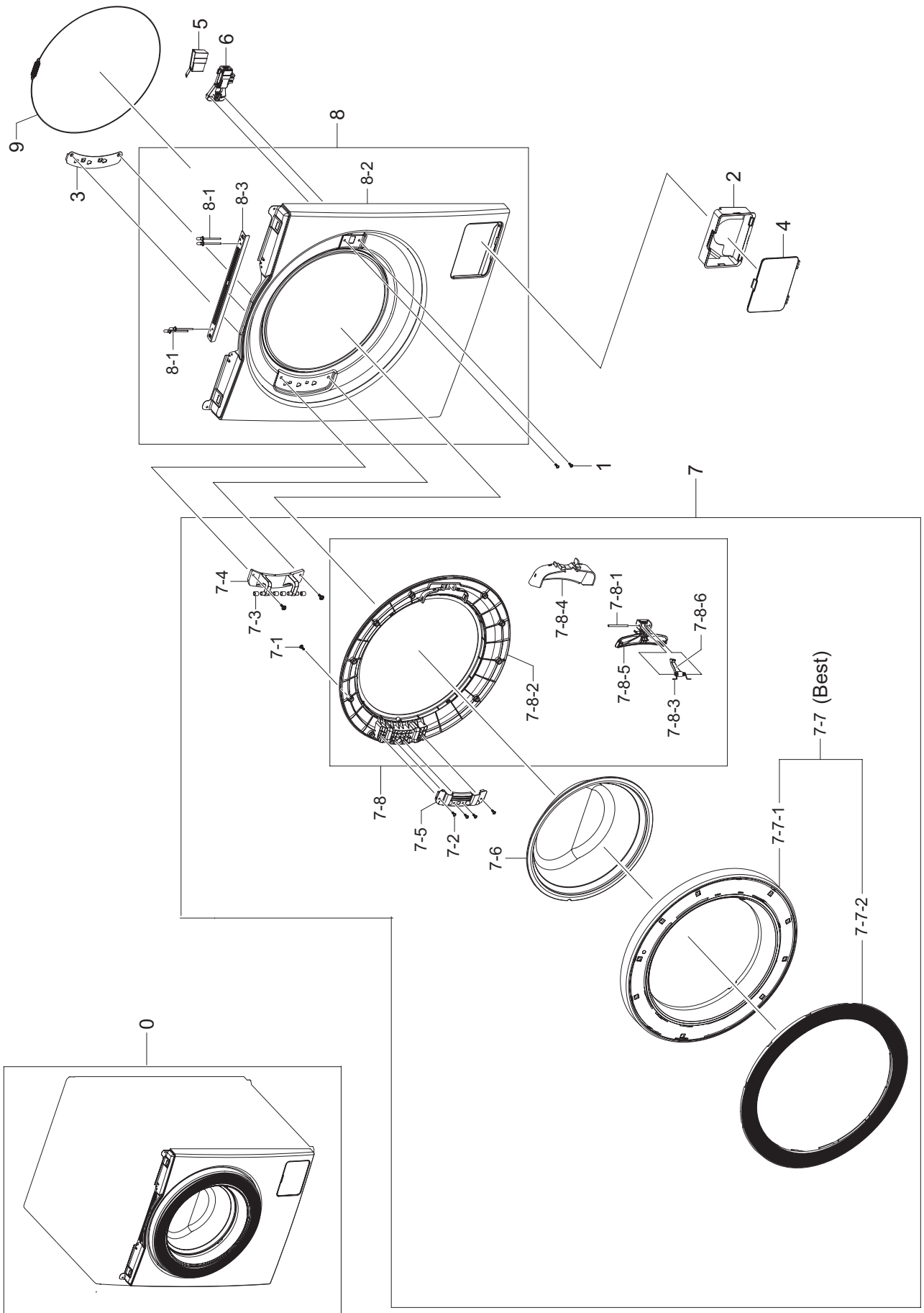


---

**MODEL CODE: WD8702RJH1/XEC**Service Bom (**SA**: SERVICE AVAILABLE, **SNA**: SERVICE NOT AVAILABLE)

| Drawing No. | Code No.    | Description     | Specification                  | QTY  | Un | SA/SNA |
|-------------|-------------|-----------------|--------------------------------|------|----|--------|
| 18-1        | 6031-001500 | WASHER-PLAIN    | N6M03,-,ID8,OT17,T0.2,-,-      | 1    | PC | SNA    |
| 18-2        | DC47-00033B | HEATER WASH     | AC230V,2000W,SUS316L,728mm,N   | 1    | PC | SA     |
| 19          | -           | ASSY HOSE-AIR   | -                              | -    | -  | -      |
| 19-1        | DC61-00219B | CLAMPER HOSE    | SK5,WLSL1100A,ID24 OD26.4      | 1    | PC | SNA    |
| 19-2        | DC65-60118J | CLIP RING       | HSWR-SWRH,-,PI2.0/ID23         | 2    | PC | SNA    |
| 19-3        | DC67-00354A | HOSE AIR        | HEBA PJT,EPDM,BLACK, 18.3g     | 1    | PC | SA     |
| 20          | DC67-00051B | HOSE DRAWER     | Q1636GW/XEU,EPDM,ID9.0,OD14.   | 0.48 | M  | SNA    |
| 20-1        | DC65-60118R | CLIP RING       | AEGIS-PJT,HSWR-SWRH,T3.0,ID37  | 1    | PC | SA     |
| 20-2        | DC67-00422A | HOSE DRAWER TUB | HEBA-PJT,EPDM,BLK              | 1    | PC | SC     |
| 20-3        | DC72-00001G | CLIP RING       | HEBA-PJT,HSWR-SWRH,T3.0,ID49.5 | 1    | PC | SNA    |
| 21          | DC97-16461C | ASSY TUB BACK   | Heba PJT,WD0804W8N1/YAH,8.     | 1    | PC | SNA    |
| 21-1        | DC62-00008A | SEAL OIL        | NBR,BLACK,-,NBU                | 1    | PC | SA     |

# 1-4. ASS'Y FRAME FRONT

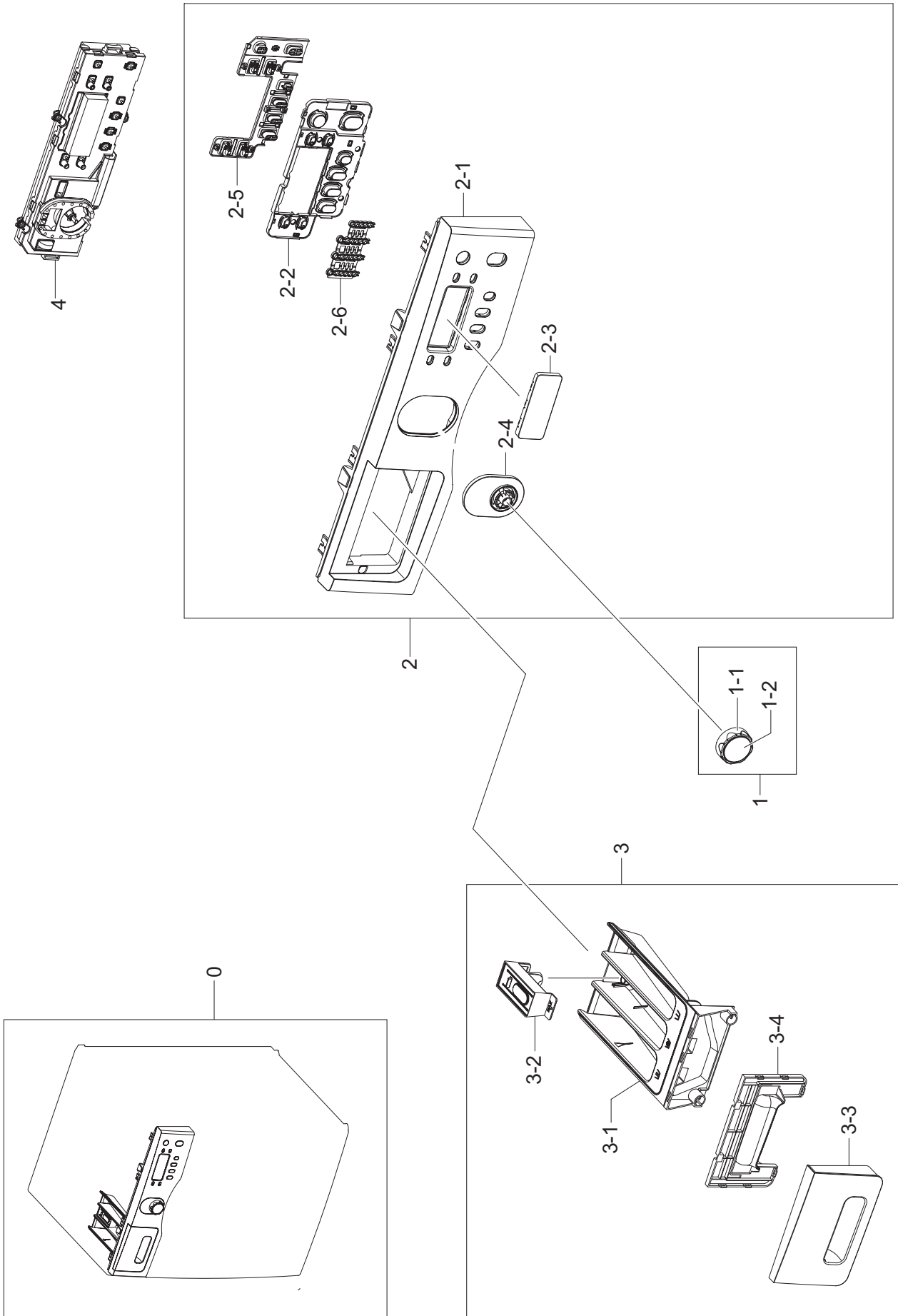


## MODEL CODE: WD8702RJH1/XEC

Service Bom (SA: SERVICE AVAILABLE, SNA: SERVICE NOT AVAILABLE)

| Drawing No. | Code No.    | Description           | Specification                  | QTY | Un | SA/SNA |
|-------------|-------------|-----------------------|--------------------------------|-----|----|--------|
| 0           | -           | FRAME FRONT & DOOR    |                                |     |    |        |
| 1           | 6002-001554 | SCREW-TAPPING         | BH,+ ,No,1,M4,L12,STS430,HE    | 11  | PC | SNA    |
| 2           | DC61-01917B | GUIDE FILTER          | WF8804DP,PP,T2.0,W118.9,L14    | 1   | PC | SA     |
| 3           | DC61-01919A | BRACKET HINGE         | WF8804DP,GI-SGCC,T1.4,L161     | 1   | PC | SA     |
| 4           | DC63-01516A | COVER-FILTER          | WF8804DPA,ABS,T2.5,DA WHITE    | 1   | PC | SA     |
| 5           | DC63-00967A | COVER DOOR SWITCH     | AEGIS-PJT/ WF8500NHW,P         | 1   | PC | SA     |
| 6           | DC64-01538A | SWITCH DOOR LOCK      | AC250V,16,BIMETAL              | 1   | PC | SA     |
| 7           | DC97-14343V | ASSY DOOR             | HEBA-COMBO,WD8704RJH,ABS,T2.5, | 1   | PC | SNA    |
| 7-1         | 6002-000444 | SCREW-TAPPING         | TH,+ ,2,M4,L14,PASS,STS430     | 5   | PC | SNA    |
| 7-2         | DC64-01521A | DOOR GLASS            | WF8804DP,GLASS,T5.0,H120.5,NA  | 1   | PC | SA     |
| 7-3         | DC97-14328S | ASSY COVER DOOR       | HEBA-COMBO,WD8704RJH,ABS       | 1   | PC | SA     |
| 7-3-1       | DC63-00855D | COVER-DOOR            | WD8702RJH,ABS,T3.0,W480,L480,  | 1   | PC | SNA    |
| 7-3-2       | DC64-01523C | DECORATION-COVER DOOR | WF8802DPF,ABS,T2.7             | 1   | PC | SNA    |
| 7-4         | DC97-15375E | ASSY HOLDER GLASS     | HEBA-COMBO,WD8804RJA,P         | 1   | PC | SA     |
| 7-4-1       | DC64-00564A | HANDLE PIN            | WF602U2BKWQ/SC,STS304,NATURE   | 1   | PC | SA     |
| 7-4-2       | DC97-15375E | ASSY HOLDER GLASS     | HEBA-COMBO,WD8804RJA,P         | 1   | PC | SA     |
| 7-4-3       | DC61-02027A | SPRING ETC LEVER      | STS304,CD1.2,L10.6             | 1   | PC | SA     |
| 7-4-4       | DC63-00853A | COVER HANDLE          | WF8804DP,ABS,T2.3,-,VERSAIL    | 1   | PC | SA     |
| 7-4-5       | DC64-01524A | HANDLE DOOR           | WF8804DP,ABS,T2.5,HG-0760GP,   | 1   | PC | SA     |
| 7-4-6       | DC66-00497A | LEVER DOOR            | WF8804DP,ZNDC,T10,W10,L46,NI   | 1   | PC | SC     |
| 7-4-7       | 6002-000445 | SCREW-TAPPING         | TH,+ ,NO,2S,M4,L18,PASS,STS    | 3   | PC | SNA    |
| 7-4-8       | DC61-00891A | GUIDE HINGE           | HAUZEN(DOM),POM,NTR(WHT),HIN   | 4   | PC | SA     |
| 7-4-9       | DC61-01910C | HINGE DOOR            | WD8754RJCYL,ALDC,HEBA          | 1   | PC | SA     |
| 7-4-10      | DC61-01915B | BRACKET HOLDER        | WF8804DP,GI-SGCC,T1.2,N/A      | 1   | PC | SA     |
| 8           | DC97-16454A | ASSY FRAME FRONT      | HEBA-PJT,WF8804DPA/XEO,        | 1   | PC | SA     |
| 8-1         | DC60-00018A | RIVET PLATE           | MSWR-SWRH,D4,L41,WHT           | 3   | PC | SNA    |
| 8-2         | DC61-02919A | FRAME FRONT           | WF8804HPA,EGI-SECC,DA WHITE,   | 1   | PC | SNA    |
| 8-3         | DC61-01981A | BRACKET FRAME         | WF8804DP,GI-SGCC,T0.8,W20,     | 1   | PC | SNA    |
| 9           | DC91-12078D | ASSY WIRE DIAPHRAGM   | HEBA-PJT,-,-,-,-,-             | 1   | PC | SA     |

# 1-5. PANEL-CONTROL & DRAWER



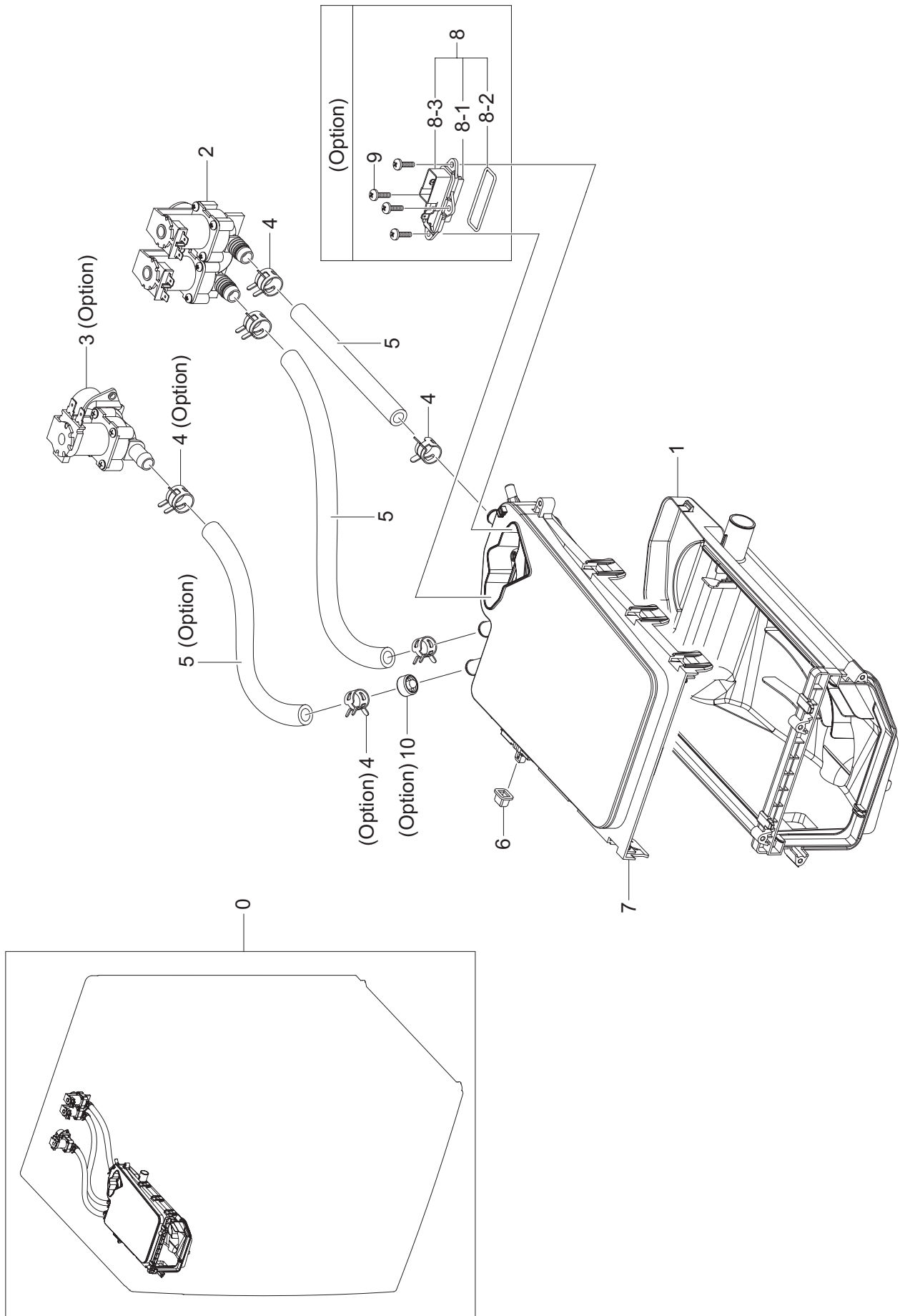
---

**MODEL CODE: WD8702RJH1/XEC**

Service Bom (SA: SERVICE AVAILABLE, SNA: SERVICE NOT AVAILABLE)

| Drawing No. | Code No.    | Description            | Specification                 | QTY | Un | SA/SNA |
|-------------|-------------|------------------------|-------------------------------|-----|----|--------|
| 0           |             | PANEL-CONTROL & DRAWER | Refer to 5.4 Control & Drawer | 1   |    |        |
| 1           | DC97-14576C | ASSY KNOB ENCODER      | HEBA BEST,WF8802DP,SIL        | 1   | PC | SA     |
| 1-1         | DC64-01534A | KNOB ENCODER           | HEBA-PJT,ABS,T2.0,PI51.0,H3   | 1   | PC | SNA    |
| 1-2         | DC64-01536B | DECORATION ENCODER     | HEBA-PJT,PC,T1.0,W41.         | 1   | PC | SNA    |
| 2           | DC97-15805D | ASSY PANEL CONTROL     | HEBA COMBO,WD8702RJH/         | 1   | PC | SA     |
| 2-1         | DC64-01528A | PANEL CONTROL          | HEBA-PJT,ABS,-,HG-0760GP,D    | 1   | PC | SNA    |
| 2-2         | DC64-02698A | BUTTON PUSH-FUNCTION   | HEBA,ABS,-,DA WHITE           | 1   | PC | SNA    |
| 2-3         | DC64-01531A | WINDOW PANEL           | HEBA-PJT,ABS,T2.0,-,-,-,BLK   | 1   | PC | SNA    |
| 2-4         | DC64-01533A | WINDOW ENCODER         | HEBA,PC,-,3022IR,-,HIGH/M     | 1   | PC | SNA    |
| 2-5         | -           | BUTTON-RUBBER          | -                             | -   | PC | SNA    |
| 3           | DC97-16500C | ASSY PANEL DRAWER      | VISTULA,WF1702WPC/XEU,        | 1   | PC | SA     |
| 3-1         | DC61-02973A | BODY DRAWER            | HEBA,PP,NEAT WHITE,WT0041,-,  | 1   | PC | SA     |
| 3-2         | DC61-02972B | STOPPER DRAWER         | WF8804DPA,PP,MT43,Honesty     | 1   | PC | SNA    |
| 3-3         | DC64-01526A | PANEL DRAWER           | HEBA-PJT,ABS,-,HG0760GP,DA    | 1   | PC | SNA    |
| 3-4         | DC64-01527A | HANDLE DRAWER          | HEBA-PJT,ABS,T2.0,HG-0760G    | 1   | PC | SNA    |
| 4           | DC92-00247B | ASSY PCB MAIN          | P171,HEBA DD/GE WASHER,HEB    | 1   | PC | SNA    |

1-6. ASS'Y HOUSING DRAWER

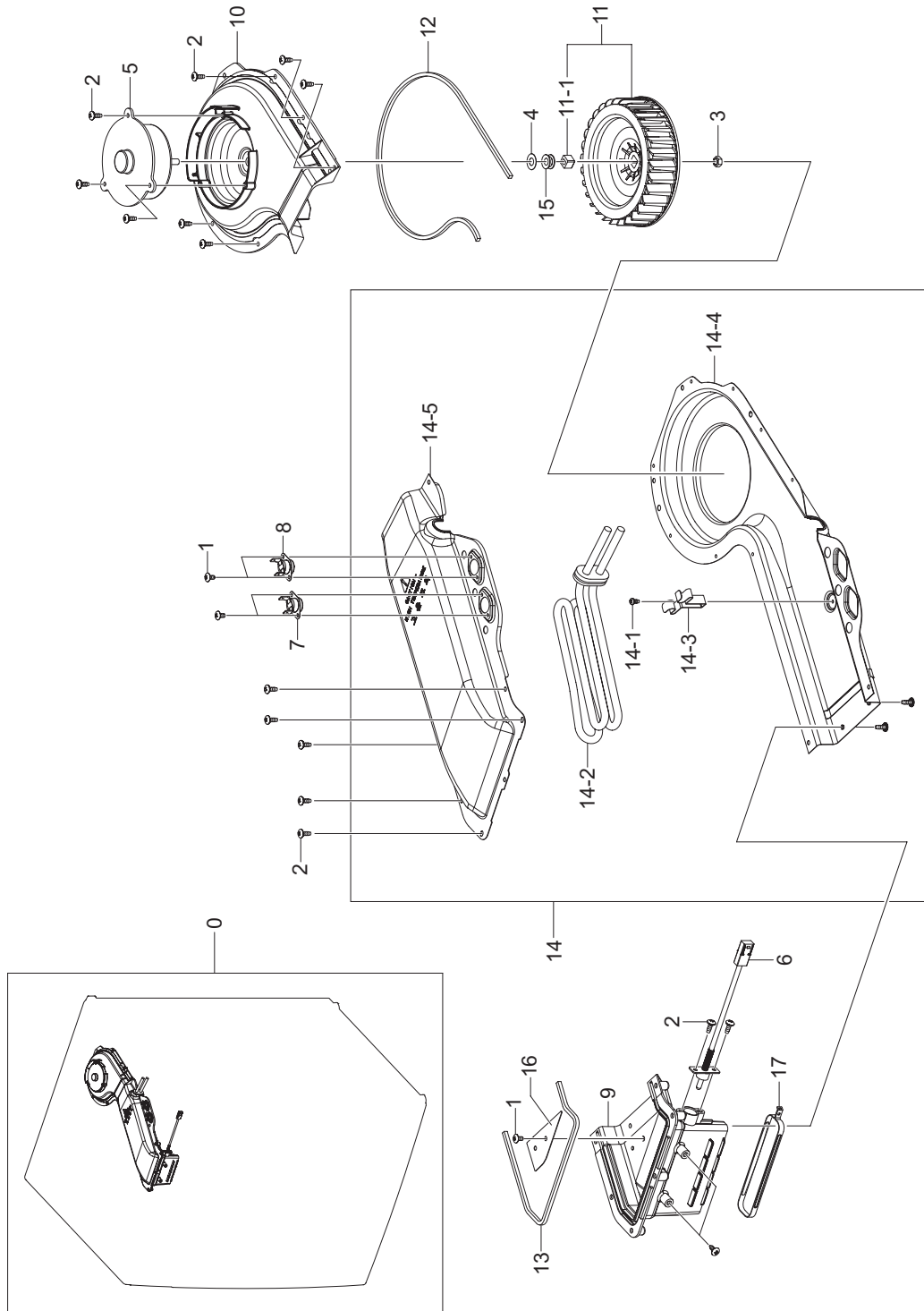


---

**MODEL CODE: WD8702RJH1/XEC**Service Bom (**SA**: SERVICE AVAILABLE, **SNA**: SERVICE NOT AVAILABLE)

| Drawing No. | Code No.    | Description           | Specification                        | QTY  | Un | SA/SNA |
|-------------|-------------|-----------------------|--------------------------------------|------|----|--------|
| 0           | DC97-14654G | ASSY HOUSING DRAWER   | HEBA-COMBO,WF8704RJA                 | 1    | PC | SA     |
| 1           | DC61-02434A | HOUSING DRAWER-LOW    | HEBA-PJT,PP,T1.8,NATU                | 1    | PC | SA     |
| 2           | DC62-00142A | VALVE WATER           | AC220-240V,Bracket,1in 3out,         | 1    | PC | SC     |
| 4           | DC65-00008B | CLAMPER HOSE          | SSEC-GE,SK5,-,Dacromet,T1.0          | 4    | PC | SNA    |
| 5           | DC67-00051B | HOSE DRAWER           | Q1636GW/XEU,EPDM,ID9.0,OD14.         | 0.48 | M  | SNA    |
| 5           | DC67-00051B | HOSE DRAWER           | Q1636GW/XEU,EPDM,ID9.0,OD14.         | 0.48 | M  | SNA    |
| 6           | DC67-00327A | CAP DRAWER HOOK       | HEBA-PJT,EPDM,T1.1,W13.9             | 1    | PC | SNA    |
| 7           | DC97-14656B | ASSY S.HOUSING DRAWER | HEBA-PJT,-,PP,8kg,                   | 1    | PC | SA     |
| 8           | -           | ASSY GUIDE WATER      | HEBA,WF8802DPF,SILVER,-              | -    | PC | SA     |
| 8-1         | -           | PLATE-SILVER          | XQB55-T86A,SILVER,T0.8,W10,L40,-,-   | -    | PC | SNA    |
| 8-2         | -           | SEAL-CAP GUIDE        | AG+,SILICON,NTR,T2.0,W17,L52.6,-     | -    | PC | SNA    |
| 8-3         | -           | CAP-GUIDE WATER       | ABS,W75.0,L39,WHITE,AG+              | -    | PC | SNA    |
| 9           | 6002-000444 | SCREW-TAPPING         | TH,+,-,2S,M4,L16,ZPC(WHT),SWRCH18A,- | 2    | PC | SNA    |

# 1-7. ASS'Y AIR WASH



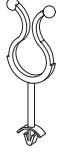


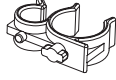




**MODEL CODE: WD8702RJH1/XEC**

Service Bom (SA: SERVICE AVAILABLE, SNA: SERVICE NOT AVAILABLE)

| Drawing No. | Code No.    | Description           | Specification                    | QTY | Un | SA/SNA |
|-------------|-------------|-----------------------|----------------------------------|-----|----|--------|
| 0           | DC93-00033A | ASSY DUCT SCROLL      | HEBA-COMBO,WD8700,-,-,-          | 1   | PC | SA     |
| 1           | 6002-000239 | SCREW-TAPPING         | TH,+,NO,2S,M4,L8,ZPC(WHT),       | 2   | PC | SNA    |
| 2           | 6006-001174 | SCREW-TAPPING         | TH,+,WT,2S,M4,L12,ZPC(WHT)       | 5   | PC | SNA    |
| 3           | 6021-000225 | NUT-HEXAGON           | 2C,M6,ZPC(YEL),SM20C             | 1   | PC | SA     |
| 4           | 6031-001500 | WASHER-PLAIN          | N6M03,-,ID8,OT17,T0.2,-,-        | 1   | PC | SNA    |
| 5           | DC31-00032D | MOTOR BLDC-FAN        | DL-7806SSWC,1700,17.5VDC,        | 1   | PC | SA     |
| 6           | DC32-00004C | THERMISTOR            | DRYER,-20□ ~ 170□,5,5,3.3k+5%    | 1   | PC | SNA    |
| 7           | DC47-00016B | THERMOSTAT            | AC125/250V,25A,125,-35,S.O.D,    | 1   | PC | SNA    |
| 8           | DC47-00016C | THERMOSTAT            | AC125/250V,16A,125,-35,MANUAL    | 1   | PC | SNA    |
| 9           | DC61-02224A | HOUSING FAN-LOW FRONT | HEBA-COMBO,PA,T2.5               | 1   | PC | SNA    |
| 10          | DC61-02229A | HOUSING FAN-UP REAR   | HEBA-COMBO,PA,T3.0,B             | 1   | PC | SA     |
| 11          | DC67-00366A | FAN DRY               | HEBA,PA,OD138.0,30EA,T2.0,HEBA-P | 1   | PC | SNA    |
| 11-1        | DC61-01096A | BUSH FAN              | ZNDC,INSERT-PART                 | 1   | PC | SNA    |
| 12          | DC69-01039E | PACKING-DUCT          | WM PW01 FWM MODEL,SI,-,-,CO      | 1   | PC | SNA    |
| 13          | DC69-01039G | SEAL DUCT             | WM PW01 FWM MODEL,SI,OTHER SIL   | 1   | PC | SNA    |
| 14          | DC93-00056A | ASSY DUCT SCROLL-SUB  | HEBA-COMBO,WM PW01               | 1   | PC | SNA    |
| 14-1        | DC47-00008F | HEATER DRY            | AC230V,1600W,INCOLOY800,897mm    | 1   | PC | SA     |
| 14-2        | DC61-02643A | BRACKET HEATER        | WD8754CJZ,STAINLESS-ST543        | 1   | PC | SNA    |
| 14-3        | 6006-001174 | SCREW-TAPPING         | TH,+,WT,2S,M4,L12,ZPC(WHT)       | 5   | PC | SNA    |
| 14-4        | DC61-02225A | HOUSING FAN-LOW       | HEBA-COMBO,STAINLESS-ST5         | 1   | PC | SNA    |
| 14-5        | DC61-02226A | HOUSING FAN-UP FRONT  | HEBA-COMBO,STAINLES              | 1   | PC | SNA    |
| 15          | DC62-00191A | SEAL WATER            | SEW-DR605,NBR,BLACK,RUBBER /     | 1   | PC | SA     |
| 16          | DC63-01067A | COVER HOUSING DUCT    | HEBA-COMBO,STAINLESS-            | 1   | PC | SNA    |
| 17          | DC66-00504A | JOINT DIAPHRAGM       | WF8804DP,EGI,-,-,T1.0,11         | 1   | PC | SA     |

## 1-8. SMALL PARTS

|   |   |   |   |   |   |
|---|---|---|---|---|---|
|  |  |  |  |  |  |
| 1   | 3   | 4   | 5   | 6   | 7   |

### MODEL CODE: WD8702RJH1/XEC

Service Bom (SA: SERVICE AVAILABLE, SNA: SERVICE NOT AVAILABLE)

| Drawing No. | Code No.    | Description      | Specification                                    | Inst point         | QTY | Un | SA/SNA |
|-------------|-------------|------------------|--|--------------------|-----|----|--------|
| 1           | DC61-00995C | HOLDER-WIRE      | HEBA-PJT,<br>NYLON,ID26,W6,L145,NTR,<br>HEBA-PJT | FRAME+MAIN(WIRE)   | 1   | PC | SA     |
| 3           | DE65-20026A | HOLDER WIRE      | PA,NTR,LOCK-TWIST/<br>STAND/Y260                 | FRAME(BACK->TOP)   | 2   | PC | SNA    |
| 3           | DC61-40081A | HOLDER-WIRE      | DAWH-<br>2NC,NYLON,NTR(PI18.5)                   | WIRE(MAIN)+FRAME   | 9   | PC | SA     |
| 4           | DC61-40083A | HOLDER-WIRE      | DAWH-<br>3ND,NYLON,NTR(PI25)/<br>NYLON66         | FRAME+HOSE(O)      | 1   | PC | SNA    |
| 5           | DC61-00133A | CLAMPER HOSE-FIX | P1291,PP,ID24.5,OD29.5,HO<br>SE+PLUG,BJ-730      | FRM+H-DRAIN+P-CODE | 1   | PC | SNA    |
| 6           | DC61-02879A | HOLDER WIRE      | WF8804CPA,PA,-<br>,NATURAL,-,211                 | ASSY TUB&DRUM      | 1   | PC | SNA    |
| 7           | DC61-00118A | CLAMPER HOSE-FIX | P1291,NYLON66,ID27,OD30                          | H-DRAIN(O)+FRAME   | 1   | PC | SNA    |

---

## 1-8. PARTS LIST (SA/SC OTHER)

**MODEL CODE: WD8702RJH1/XEC**

**Service Bom (SA: SERVICE AVAILABLE, SNA: SERVICE NOT AVAILABLE)**

| No | Code No.    | Description         | Specification                   | QTY | Un | SA/<br>SNA |
|----|-------------|---------------------|---------------------------------|-----|----|------------|
| 1  | DC61-02601A | GUIDE HOSE          | SEINE COMBO 9.0kg,PS FOAM,WHI   | 1   | PC | SA         |
| 2  | DC60-40144A | BOLT HEX            | SM10C,L35,ZPC2(YEL),M10,ZPC2(YE | 2   | PC | SA         |
| 3  | DC60-60044B | WASHER PLAIN        | SBC,ID8.4/OD30,T2.0             | 4   | PC | SA         |
| 4  | 6011-003934 | BOLT-HEX            | M7.6,L48,ZPC(WHT),SCM 435,WASHE | 6   | PC | SA         |
| 5  | DC97-16460K | ASSY SEMI TUB FRONT | Heba COMBO,WD8704DJF            | 1   | PC | SA         |
| 6  | DC97-16462C | ASSY SEMI TUB BACK  | Heba PJT,WD0804W8N1/Y           | 1   | PC | SA         |
| 7  | DC69-01154A | PACKING-TUB         | WF8804DP,EPDM,-,-,L1650         | 1   | PC | SA         |

## 1-9. SCREW LIST

### MODEL CODE: WD8702RJH1/XEC

Service Bom (SA: SERVICE AVAILABLE, SNA: SERVICE NOT AVAILABLE)

| Code No.    | Description   | Specification                 | QTY | Un | SA/SNA |
|-------------|---------------|-------------------------------|-----|----|--------|
| 6002-000520 | SCREW-TAPPING | TH,+,-,2,M4,L12,ZPC(WHT),S    | 4   | PC | SNA    |
| 6003-001768 | SCREW-TAPTYPE | TH,+WT,S,M4,L10,ZPC(WHT),     | 2   | PC | SNA    |
| 6006-001174 | SCREW-TAPPING | TH,+WT,2S,M4,L12,ZPC(WHT)     | 5   | PC | SNA    |
| 6002-001327 | SCREW-TAPPING | PWH,+1,M4,L12,ZPC(WHT),SW     | 4   | PC | SNA    |
| 6006-001174 | SCREW-TAPPING | TH,+WT,2S,M4,L12,ZPC(WHT)     | 5   | PC | SNA    |
| DE60-10080A | SCREW-TAPPING | PWH,+,-,2S,M5,L9,-,SWRCH18    | 2   | PC | SNA    |
| 6002-000520 | SCREW-TAPPING | TH,+,-,2,M4,L12,ZPC(WHT),S    | 4   | PC | SNA    |
| 6002-000239 | SCREW-TAPPING | TH,+NO,2S,M4,L8,ZPC(WHT),     | 2   | PC | SNA    |
| 6002-000445 | SCREW-TAPPING | TH,+NO,2S,M4,L18,PASS,STS     | 3   | PC | SNA    |
| 6002-001554 | SCREW-TAPPING | BH,+No,1,M4,L12,STS430,HE     | 11  | PC | SNA    |
| 6001-001773 | SCREW-MACHINE | TH,+,-,M5,L12,PASS,STS430,    | 2   | PC | SA     |
| 6002-001554 | SCREW-TAPPING | BH,+No,1,M4,L12,STS430,HE     | 11  | PC | SNA    |
| 6002-000444 | SCREW-TAPPING | TH,+2,M4,L14,PASS,STS430      | 5   | PC | SNA    |
| 6002-000445 | SCREW-TAPPING | TH,+NO,2S,M4,L18,PASS,STS     | 3   | PC | SNA    |
| 6002-000520 | SCREW-TAPPING | TH,+,-,2,M4,L12,ZPC(WHT),S    | 4   | PC | SNA    |
| 6002-001438 | SCREW-TAPPING | HWH,+NO,1,M5,L12,ZPC(WHT)     | 2   | PC | SNA    |
| 6003-001768 | SCREW-TAPTYPE | TH,+WT,S,M4,L10,ZPC(WHT),     | 2   | PC | SNA    |
| 6006-001174 | SCREW-TAPPING | TH,+WT,2S,M4,L12,ZPC(WHT)     | 5   | PC | SNA    |
| 6009-001343 | SCREW-SPECIAL | PH,TORX,M4,L12,ZPC(WHT),SW    | 1   | PC | SNA    |
| 6002-000520 | SCREW-TAPPING | TH,+,-,2,M4,L12,ZPC(WHT),S    | 4   | PC | SNA    |
| 6001-000115 | SCREW-MACHINE | BH,+,-,M3,L10,ZPC(WHT),SWR    | 2   | PC | SNA    |
| 6002-000630 | SCREW-TAPPING | PH,+NO,2S,M3,L8,ZPC(WHT),     | 4   | PC | SNA    |
| 6002-000239 | SCREW-TAPPING | TH,+NO,2S,M4,L8,ZPC(WHT),     | 2   | PC | SNA    |
| 6006-001174 | SCREW-TAPPING | TH,+WT,2S,M4,L12,ZPC(WHT)     | 5   | PC | SNA    |
| 6006-001174 | SCREW-TAPPING | TH,+WT,2S,M4,L12,ZPC(WHT)     | 5   | PC | SNA    |
| DC97-14006C | ASSY SCREW    | GRIFFIN-PJT,WF9904RWE,SWRCH18 | 1   | PC | SA     |
| DC97-15858A | ASSY SCREW    | trumph-PJT,WF-F1061/YLP,SWRCH | 2   | PC | SNA    |
| 6002-001436 | SCREW-TAPPING | PH,+2,M4,L18,ZPC(WHT),SWR     | 3   | PC | SNA    |
| 6003-000226 | SCREW-TAPTYPE | TH,+,-,S,M4,L8,ZPC(WHT),SW    | 2   | PC | SNA    |
| 6002-000445 | SCREW-TAPPING | TH,+NO,2S,M4,L18,PASS,STS     | 3   | PC | SNA    |
| 6002-000444 | SCREW-TAPPING | TH,+2,M4,L14,PASS,STS430      | 5   | PC | SNA    |

---

**MODEL CODE: WD8702RJH1/XEC**Service Bom (**SA**: SERVICE AVAILABLE, **SNA**: SERVICE NOT AVAILABLE)

| Code No.    | Description   | Specification               | QTY | Un | SA/SNA |
|-------------|---------------|-----------------------------|-----|----|--------|
| 6002-001006 | SCREW-TAPPING | TH,+,-,2S,M4,L12,PASS,STS4  | 3   | PC | SNA    |
| 6002-000520 | SCREW-TAPPING | TH,+,-,2,M4,L12,ZPC(WHT),S  | 4   | PC | SNA    |
| 6002-001554 | SCREW-TAPPING | BH,+ ,No,1,M4,L12,STS430,HE | 11  | PC | SNA    |
| 6002-000213 | SCREW-TAPPING | TH,+ ,1,M4,L12,ZPC(WHT),SWR | 1   | PC | SNA    |