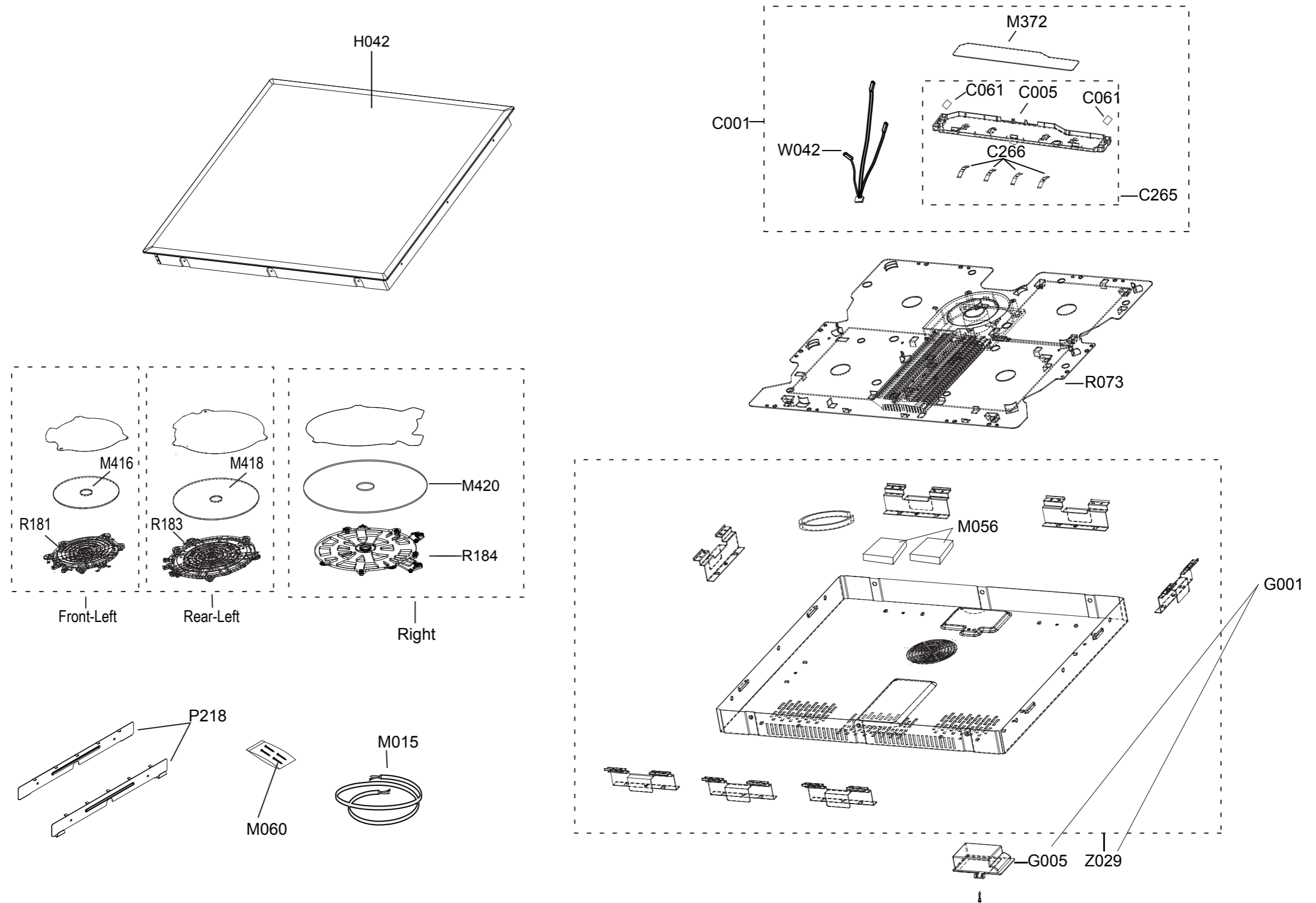


5. Exploded Views and Parts List

5-1 Exploded Views

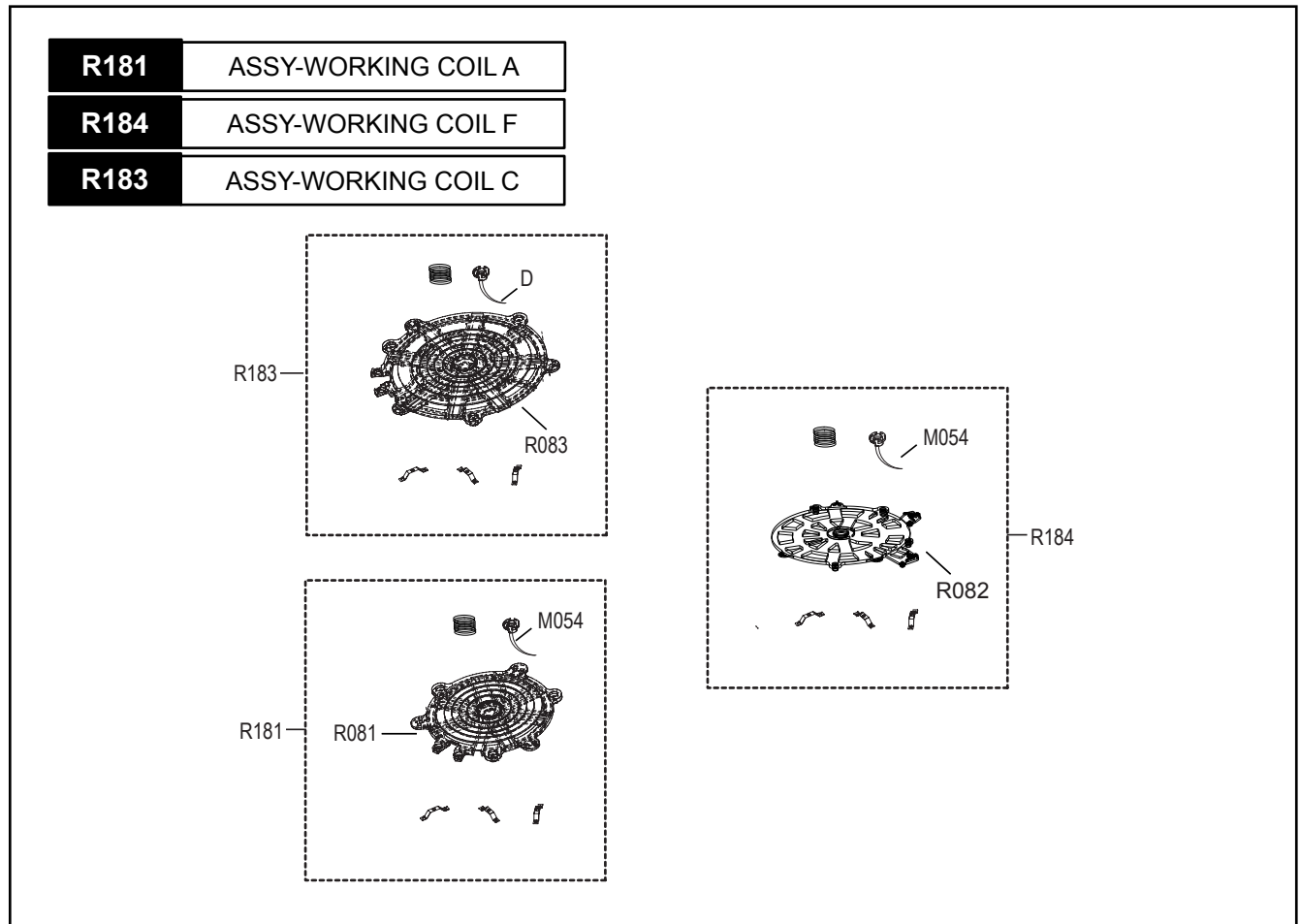


5-2 Main Parts List

(SNA : SERVICE NOT AVAILABLE)

No.	Code No.	Description	Specification	Q'ty	SA/ SNA	Re- mark
C001	DG94-00341A	ASSY CONTROL PANEL	CTN363KB01,INDUCTION	1	SA	-
C005	DG64-00213A	CONTROL-PANEL	CTI613EHST,PBT212G30V0,T2.	1	SNA	-
C061	0203-001815	TAPE-DOUBLE FACE	3M #4016,T1.6,W7,L14	12	SNA	-
C265	DG94-00181A	ASSY-SPRING PANEL	CTI613EHST,-,INDUCTION	1	SA	-
C266	DG61-00274A	SPRING ETC-CONTROL	C61R2CCN,STS301,-,-,-	4	SNA	-
G001	DG94-00178B	ASSY CASE BURNER	CTN364E004,INDUCTION2	1	SA	-
G005	DG65-00006A	TERMINAL BLOCK	CTI613EHST,6P,450V,41A,IT	1	SA	-
H042	DG94-00327A	ASSY TOP PLATE	CTN363KB01,1-BEVEL,I30	1	SA	-
M015	DG96-00061B	ASSY POWER CORD	VDE,Without Plug,250V/25	1	SA	-
M056	DE63-00005A	CUSHION-HVT	MW5896W,EPDM,T5,W24.7,L40,BL	2	SNA	-
M060	DG97-00010A	ASSY HARD WARE	C61RCCNR,NO-FRAME	1	SA	-
M372	DE96-00794B	ASSY TOUCH	CTN363KB01,CT7000-1330,309.7x	1	SNA	-
P218	DG61-00005B	BRACKET-INSTALL	C61RCCNR/BWT,ALSTAR,T1.0	2	SA	-
R073	DG96-00148A	ASSY-INDUCTION MODULE	CTN363KB01,INDUCTI	1	SA	-
W042	DG96-00095C	ASSY WIRE HARNESS-S	CTN363KB01,230V50Hz,	1	SA	-
Z029	DG94-00184B	ASSY CASE-SUPPORT	CTN364E004,INDUCTION2	1	SA	-

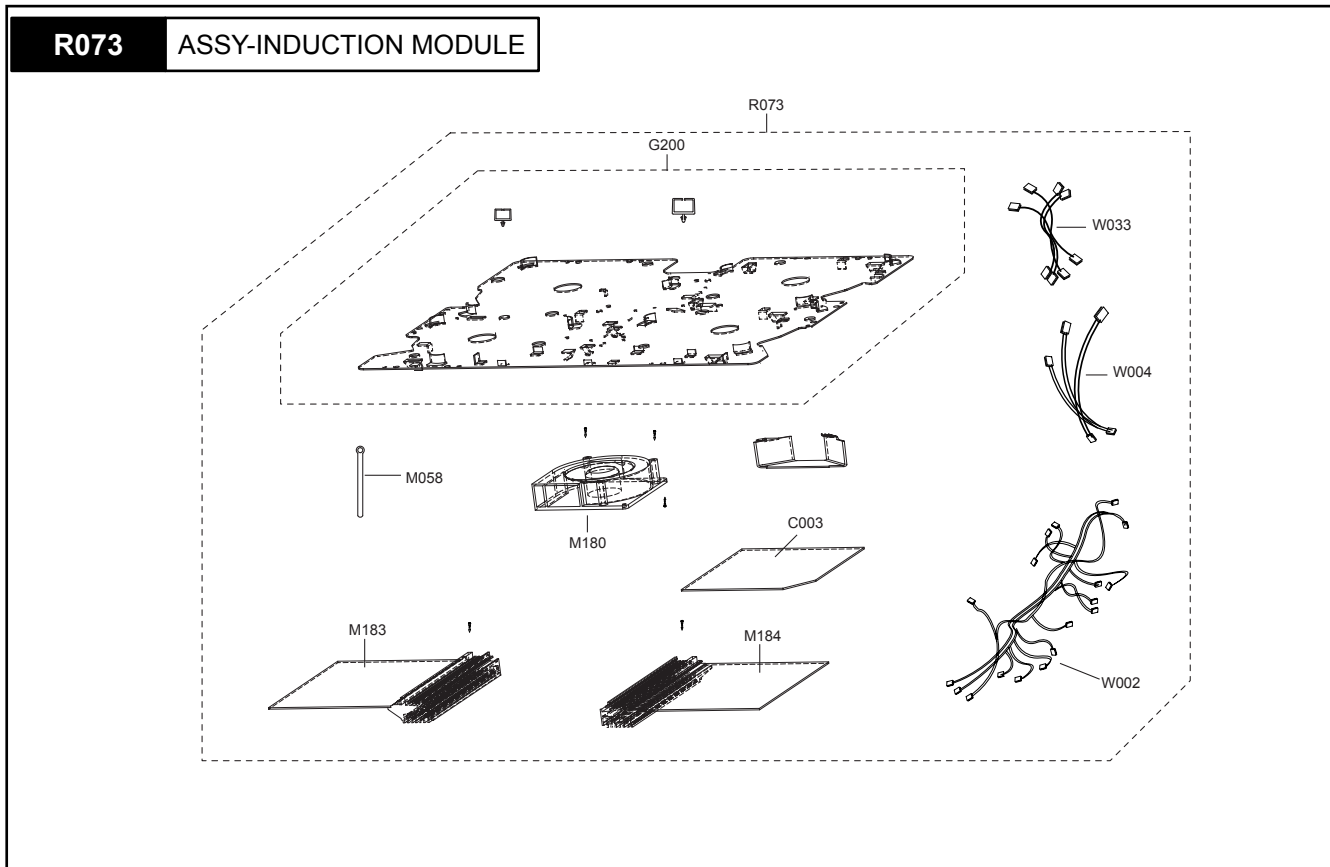
5-3 Assy-Working Coil Parts List



(SNA : SERVICE NOT AVAILABLE)

No.	Code No.	Description	Specification	Q'ty	SA/ SNA	Remark
R183	DG96-00086B	ASSY-WORKING COIL C	GOOD,210PI,2200W	1	SA	-
M441	DG32-00005A	SENSOR-TOP	CTI613EHST,INDUCTION	1	SA	-
M441	DG32-00005A	SENSOR-TOP	CTI613EHST,INDUCTION	1	SA	-
M442	DG32-00005B	SENSOR-TOP	CTI613EHST,-40~350,SPECIAL TE	1	SA	-
R081	DG27-01003B	COIL-WORKING A	160pi, 1400W,65.5uH,#3%,B	1	SA	-
R083	DG27-01005B	COIL-WORKING C	210pi, 2200W,64uH,#3%,Bar	1	SA	-
R181	DG96-00088E	ASSY-WORKING COIL A	I30,160PI,1400W	1	SA	-
R184	DG96-00147A	ASSY-WORKING COIL F	I30,280PI,3600W	1	SA	-
R082	DG27-01005B	COIL-WORKING C	210pi, 2200W,64uH,#3%,Bar	1	SA	-

5-4 Assy-Induction Module Parts List



(SNA : SERVICE NOT AVAILABLE)

No.	Code No.	Description	Specification	Q'ty	SA/ SNA	Remark
C003	RCS-ICTOP-02	ASSY PCB PARTS	CTN364N006,230V50HZ,INDUC	1	SA	-
G200	DG94-00264C	ASSY CASE-INDUCTION	CTN363KB01,INDUCTION	1	SA	-
M058	6502-001085	CABLE CLAMP	DALC-4,ID5.3,T0.5,SGCC(GALVA	6	SNA	WORKING COIL WIRE
M180	DG31-00011A	MOTOR DC	D12F-12BM 06,CTI613EHST,0.83A,	1	SA	-
M183	DG96-00116C	ASSY-INVERTER MODULE L	INDUCTION I30,IH-	1	SA	-
M184	DG96-00117C	ASSY-INVERTER MODULE R	INDUCTION I30,IH-	1	SA	-
R073	DG96-00148A	ASSY-INDUCTION MODULE	CTN363KB01,INDUCTI	1	SA	-
W002	DG96-00089B	ASSY WIRE HARNESS-A	CTI613GIN,230V50Hz,I	1	SA	-
W004	DG96-00149A	ASSY WIRE HARNESS-C	CTN363KB01,230V50Hz,	1	SA	INVERTER, MAIN PCB
W033	DG96-00090A	ASSY WIRE HARNESS-P	CTI613EHST,230V50Hz,	1	SA	TERMINAL BLOCK

5-4 Standard Parts List

(SNA : SERVICE NOT AVAILABLE)

LEVEL	Code No.	Description	Specification	Q'ty	SA/ SNA	Remark
1-1	6002-000217	SCREW-TAPPING	TH,+,-,1,M4,L8,ZPC(WHT),SW	25	SNA	-
1-2	6006-001170	SCREW-TAPPING	TH,+WT,TC,M4,L10,ZPC(WHT)	1	SNA	EARTH
1-3	6002-000217	SCREW-TAPPING	TH,+,-,1,M4,L8,ZPC(WHT),SW	6	SNA	SUPPORT-HEATER
1-2	6002-000217	SCREW-TAPPING	TH,+,-,1,M4,L8,ZPC(WHT),SW	9	SNA	PCB,GUIDE-AIR
1-2	6002-000630	SCREW-TAPPING	PH,+2S,M3,L8,ZPC(YEL),SWR	2	SNA	HEAT SINK
1-2	6002-001321	SCREW-TAPPING	PWH,+2S,M5,L10,ZPC(YEL)	2	SNA	DC MOTOR
1-2	6006-001170	SCREW-TAPPING	TH,+WT,TC,M4,L10,ZPC(WHT)	1	SNA	DC MOTOR
1-2	6002-000216	SCREW-TAPPING	TH,+,-,1,M4.0,L20,ZPC(WHT)	4	SNA	Bkt-install