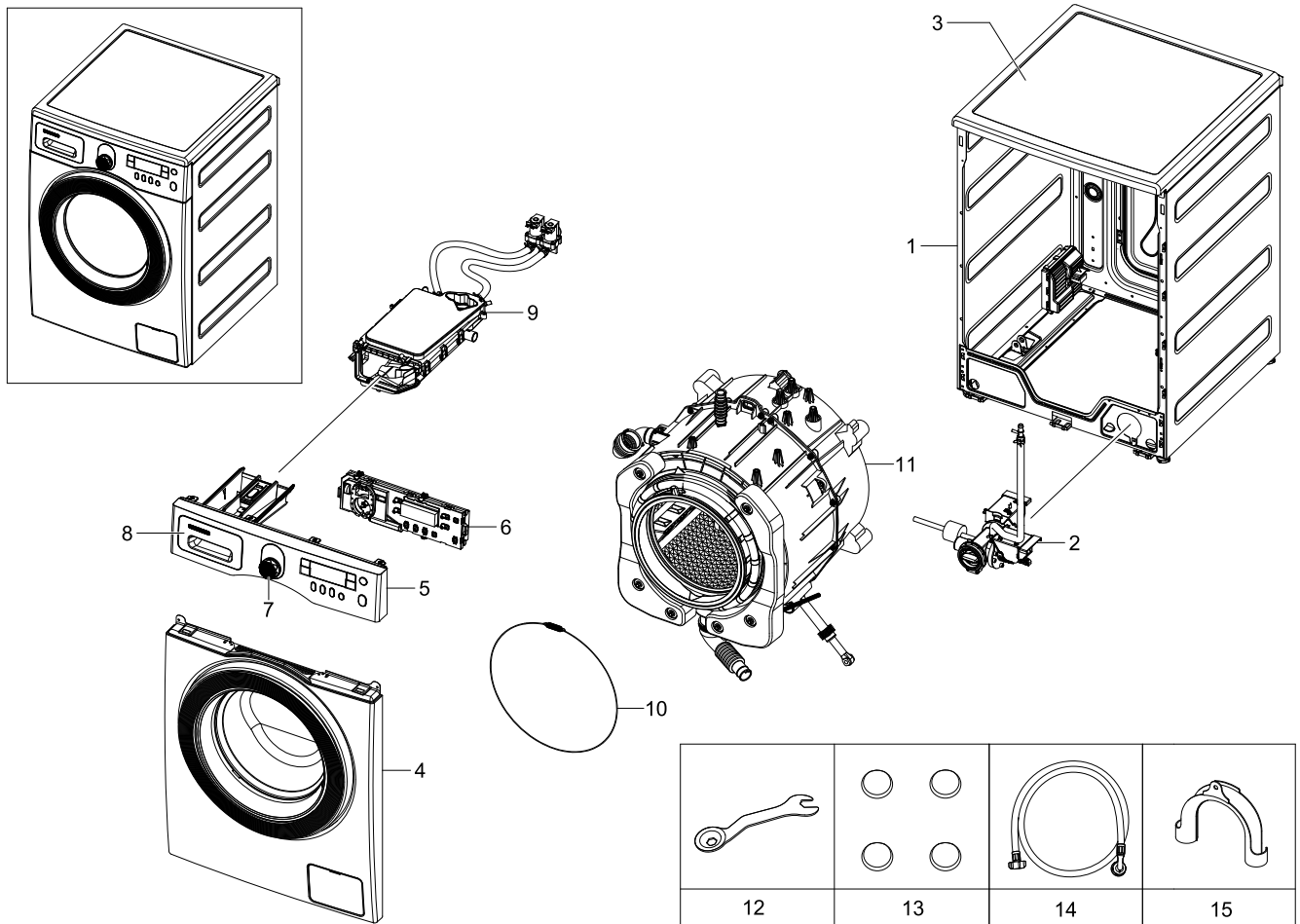


1. Main

Exploded View



Parts List

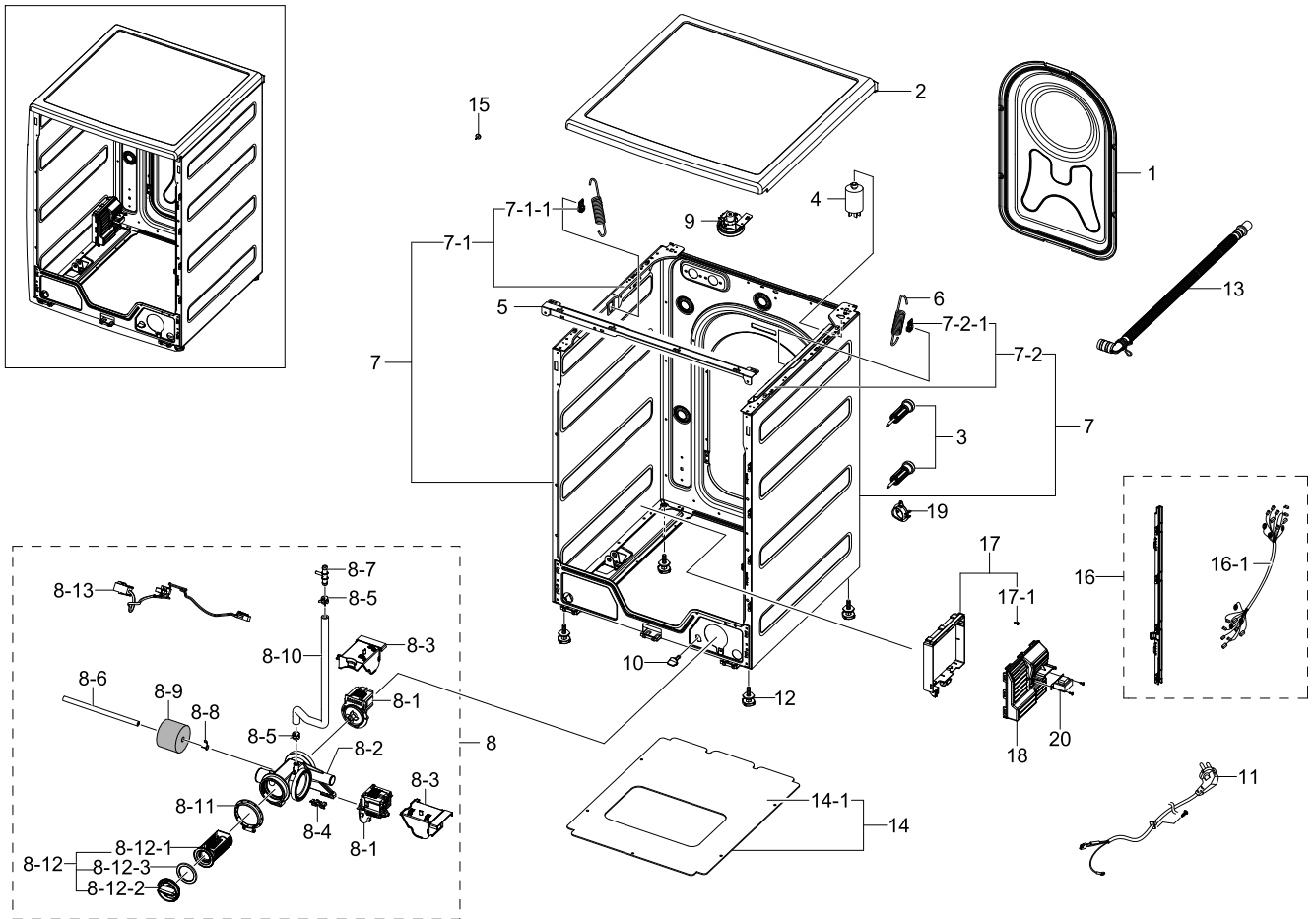
No.	Lvl.	Loc.	Material Code	Description & Specification	SNA	Qty.
1	2	WF0004	DC97-14657J	ASSY FRAME; HEBA-DD,WF9904RWE,GI	SA	1
2	2	WU5004	DC97-15696A	ASSY PUMP DRAIN; GRIFFIN-PJT,WF9804RWE,2-	SC	1
3	2	WF0003	DC97-14953A	ASSY COVER TOP; HEBA-PJT,-,WOOD+AL FOIL+U	SA	1
4	2	WF0005	DC97-14342H	ASSY FRAME FRONT; GRIFFIN-PJT,WF9804RWE,E	SNA	1
5	2	WC0016	DC97-15700V	ASSY PANEL CONTROL; GRFFIN-PJT,WF9902LWE/	SA	1
6	2	WZ0025	DC92-00267K	ASSY PCB SUB; P171,GRIPPIN SUB,WF9902LWE/	SA	1
7	2	WC0009	DC97-15723B	ASSY KNOB ENCODER; GRIFFIN-PJT,WF9904RWE,	SC	1
8	2	WC0017	DC97-15712A	ASSY PANEL DRAWER; GRIFFIN-PJT,WF9904RWE,	SA	1

Exploded Views and Parts List

No.	Lvl.	Loc.	Material Code	Description & Specification	SNA	Qty.
9	2	WR0008	DC97-14654B	ASSY HOUSING DRAWER; WF8804DP,HEBA-PJT/CO	SNA	1
10	2	WJ0008	DC91-12078D	ASSY WIRE DIAPHRAGM; HEBA-PJT,-,-,-,-,-	SA	1
11	1	WG0013	DC90-02469A	ASSY TUB & DRUM; GRIFFIN,WF9902LWE/XEC	SNA	1
12	2	WJ5077	DC60-40146A	BOLT SPANER; CR,T2.5	SA	1
13	2	WA5001	DC67-00307A	CAP-FIXER; WF438AAC/XAA,PP,T1.5,RECYCLE,B	SC	4
14	2	WH5290	DC62-10289B	HOSE-WATER(C); WIP4013SRW,PVC+NYLON,ID10.	SA	1
15	2	WH5379	DC62-10278A	HOSE HANGER; PUMP MODEL,PP,BLACK	SA	1

2. Assy Frame&Cover Parts

Exploded View



Parts List

No.	Lvl.	Loc.	Material Code	Description & Specification	SNA	Qty.
1	2	WF0002	DC97-15809A	ASSY COVER BACK; GRIFFIN PJT,WF9904RWE/XE	SA	1
2	2	WF0003	DC97-14953A	ASSY COVER TOP; HEBA-PJT,-,WOOD+AL FOIL+U	SA	1
3	2	WJ5109	DC97-14653C	ASSY FIXER TUB; SCOUT,WF0804Y8E/XEF	SA	4
4	2	WE0076	DC29-00015E	FILTER EMI; LFT-215K,500Khz,VDE, KS,3mH M	SA	1
5	2	WF0008	DC97-15363C	ASSY FRAME PLATE(U); GRIFFIN,WF9904RWE,GI	SA	1
6	2	WF0102	DC61-02029B	SPRING ETC-HANGER; HEBA 7kg,HSWR-SWRH,CD3	SA	2
7	2	WF0004	DC97-14657J	ASSY FRAME; HEBA-DD,WF9904RWE,GI	SA	1
7-1	3	WP0036	DC97-15690A	ASSY BRACKET SPRING(L); HEBA 8kg,HEBA-COM	SNA	1

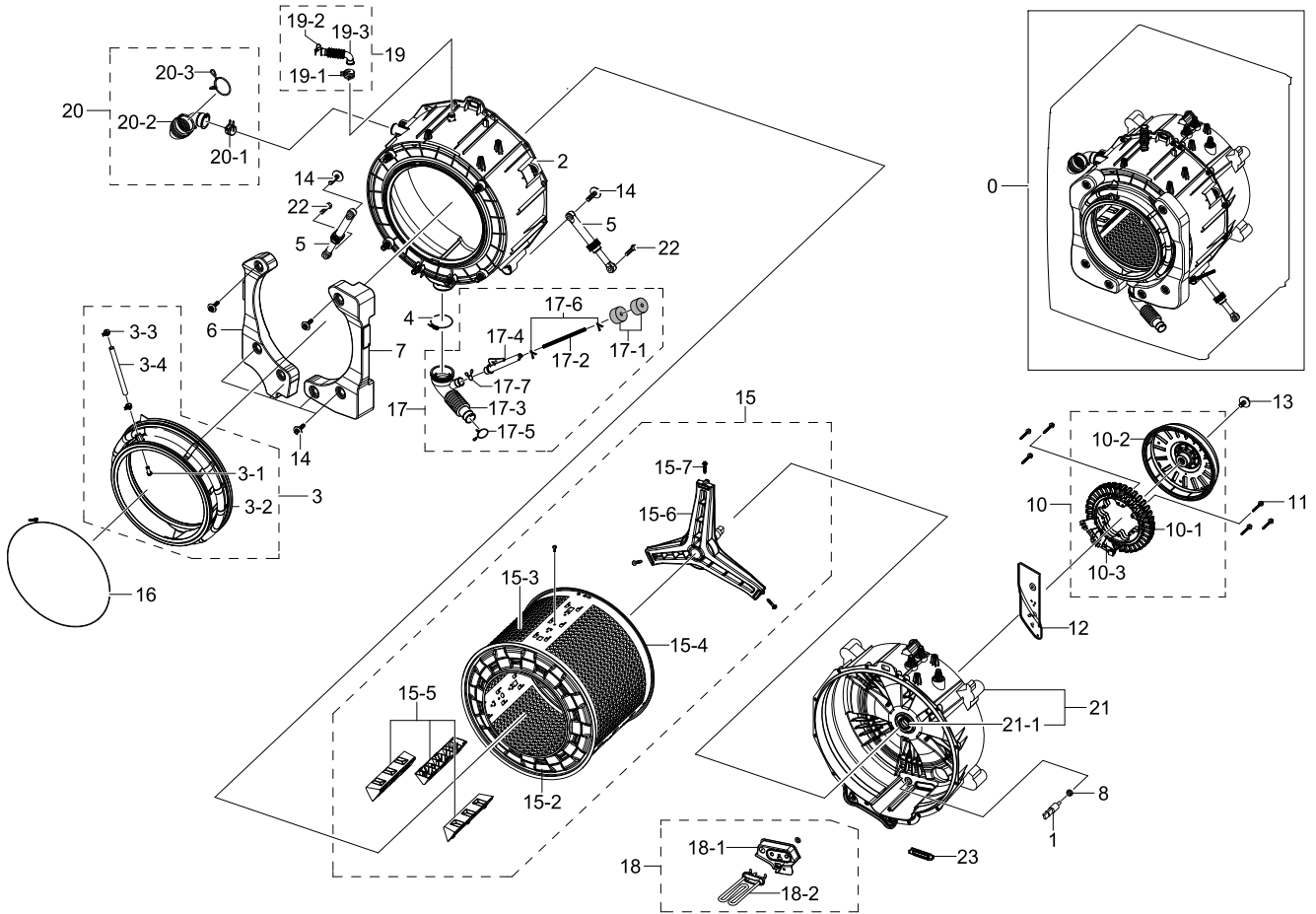
Exploded Views and Parts List

No.	Lvl.	Loc.	Material Code	Description & Specification	SNA	Qty.
7-1-1	4	WI0266	DC61-02065A	GUIDE SPRING; WF448AAG/XXA,POM,T4,W24,L36	SA	1
7-2	3	WP0037	DC97-15689A	ASSY BRACKET SPRING(R); HEBA 8kg,HEBA-COM	SNA	1
7-2-1	4	WI0266	DC61-02065A	GUIDE SPRING; WF448AAG/XXA,POM,T4,W24,L36	SA	1
8	2	WU5004	DC97-15696A	ASSY PUMP DRAIN; GRIFFIN-PJT,WF9804RWE,2-	SC	1
8-1	3	WU5008	DC31-00030A	PUMP-DRAIN; B20-6 / S3001,220V-240V,50Hz,	SA	2
8-2	3	WU0023	DC61-02271A	CASE PUMP; WF8702LSW,PP,T2.5,NEAT WHITE,H	SA	1
8-3	3	WI0203	DC63-00830A	COVER PUMP; -,PP,-,W59.0,L77,V0 GRADE,WHT	SNA	2
8-4	3	WO0031	DC63-00905A	CUSHION PUMP; WF8802DPF/XET,NBR,-,W37.6,L	SNA	1
8-5	3		DC65-00008A	CLAMPER HOSE; SEW-DR605,SK5,-,ID14.2/T0.9	SNA	2
8-6	3	WH5382	DC67-00244C	HOSE DRAIN; WF0804Y8E,EPDM,ID6,OD11,T2.5,	SC	1
8-7	3	WY0091	DC62-00176A	PIPE CONNECTOR; SEW-HW125,PP,WHITE,HB,T-P	SA	1
8-8	3		DD65-00001F	CLAMPER HOSE; HSWR-SWRH,D10.5/T1.2	SNA	1
8-9	3	WH0017	DC63-10003C	SPONGE-HOSE AIR; SWF-P12,PUR FOAM,GRY	SNA	2
8-10	3	WH5371	DC67-00419A	HOSE CIRCULATION; GRIFFIN-PJT,EPDM,ID10.0	SA	1
8-11	3		DC69-01128A	PACKING-PUMP; WF8804DP,IIR,BUTYL,T2.5,HEB	SNA	1
8-12	3	WA0006	DC97-15695A	ASSY FILTER; GRIFFIN-PJT,WF9804RWE,PP+EPD	SA	1
8-12-1	4	WU0026	DC63-00998A	FILTER PUMP; SCOUT-PJT,PP,-,NEAT WHITE,BU	SNA	1
8-12-2	4	WI0357	DC64-01317A	HANDLE FILTER; PP,FC2210,NTR/BLACK	SNA	1
8-12-3	4		DC73-00022A	SEAL PACKING; SEW-HVR149ATA,EPDM,BLK,-	SNA	1
8-13	3	WW0006	DC93-00016C	ASSY WIRE HARNESS-PUMP; DRUM,SCOUT,CIRCUL	SA	1
9	2	WE0125	DC96-01703B	SENSOR PRESSURE; Air,5V,-,400mmH20,-	SA	1
10	2	WI0107	DC61-10673A	CAP DRAIN; PP,-,-,CNTK-P-101,INNER GRAY	SNA	1
11	2	WE0054	DC96-00146A	CBF-POWER CORD; AT,EUROPE,EU3F,Gray,1500,	SC	1
12	2	WB5216	DC97-00920C	ASSY LEG; SEW-HW108,L48.5,M10	SC	4
13	2	WH5076	DC97-02250Q	ASSY HOSE DRAIN(O); HEBA,WF8802DP,-,-,-,-	SA	1
14	2	WI0053	DC97-15365B	ASSY SHUTTER; HEBA-COMBO,WD8704,PP+EPDM,T	SA	1

No.	Lvl.	Loc.	Material Code	Description & Specification	SNA	Qty.
14-1	3	WI0322	DC64-01757A	SHUTTER; HEBA-PJT,PP,T3.0,-,-,WHT,7kg/DAN	SA	1
15	2	WJ0007	DC97-14006A	ASSY SCREW; WF203,-,SCREW-TAPPING,-,M4/L1	SA	2
16	2	WW0026	DC93-00049F	ASSY M.GUIDE WIRE HARNESS; GRIFFIN,WF9904	SA	1
16-1	3	WW5696	DC93-00050F	ASSY M. WIRE HARNESS; GRIFFIN,WF9904AWE/X	SA	1
17	2	WZ0010	DC92-00266E	ASSY PCB MAIN; P171,GRIFFIN MAIN,WF9904AW	SC	1
17-1	3	WX0615	6002-000630	SCREW-TAPPING; PH,+,NO,2S,M3,L8,ZPC(WHT),	SA	3
18	2	WI0196	DC63-01040A	COVER-PCB(M); WCVH4800K1WW,ABS,T2.5,W196.	SNA	1
19	2	WH5359	DC61-00274A	GUIDE HOSE; P/PV/M,PP,-,-,WHT,FRAME/DRA	SA	1
20	2	WE0145	DC26-00009D	COIL HARMONIC; 8.5mH, 15%,SILICON STEEL	SA	1

3. Assy Tub&Drum

Exploded View



Parts List

No.	Lvl.	Loc.	Material Code	Description & Specification	SNA	Qty.
0	1	WG0013	DC90-02469A	ASSY TUB & DRUM; GRIFFIN,WF9902LWE/XEC	SNA	1
1	2	WE5178	DC32-00010A	THERMISTOR; -,11982OHM AT 25,-,-55~155	SA	1
2	2	WT0042	DC61-01932A	TUB FRONT; HEBA PJT,FRPP,ID528,OD575,NTR,	SA	1
3	2	WJ0004	DC97-15699B	ASSY DIAPHRAGM; GRIFFIN-PJT,WW-KA105RTW,E	SNA	1
3-1	3	WL0008	DC62-00166A	NOZZLE; Q1636GW/,POM,TS-2 PJT	SA	1
3-2	3	WD0067	DC64-02016A	DOOR DIAPHRAGM; GRIFFIN-PJT,EPDM,T2.0,GRY	SA	1
3-3	3		DC65-00008A	CLAMPER HOSE; SEW-DR605,SK5,-,ID14.2/T0.9	SNA	2
3-4	3	WH5268	DC67-00051A	HOSE-DRAWER; S1093~S6093,EPDM,-,-,-,-,BLK	SC	0
4	2		DC65-00021A	CLAMPER HOSE-JOINT; HEBA PJT,HSWR-SWRH,ID	SNA	1

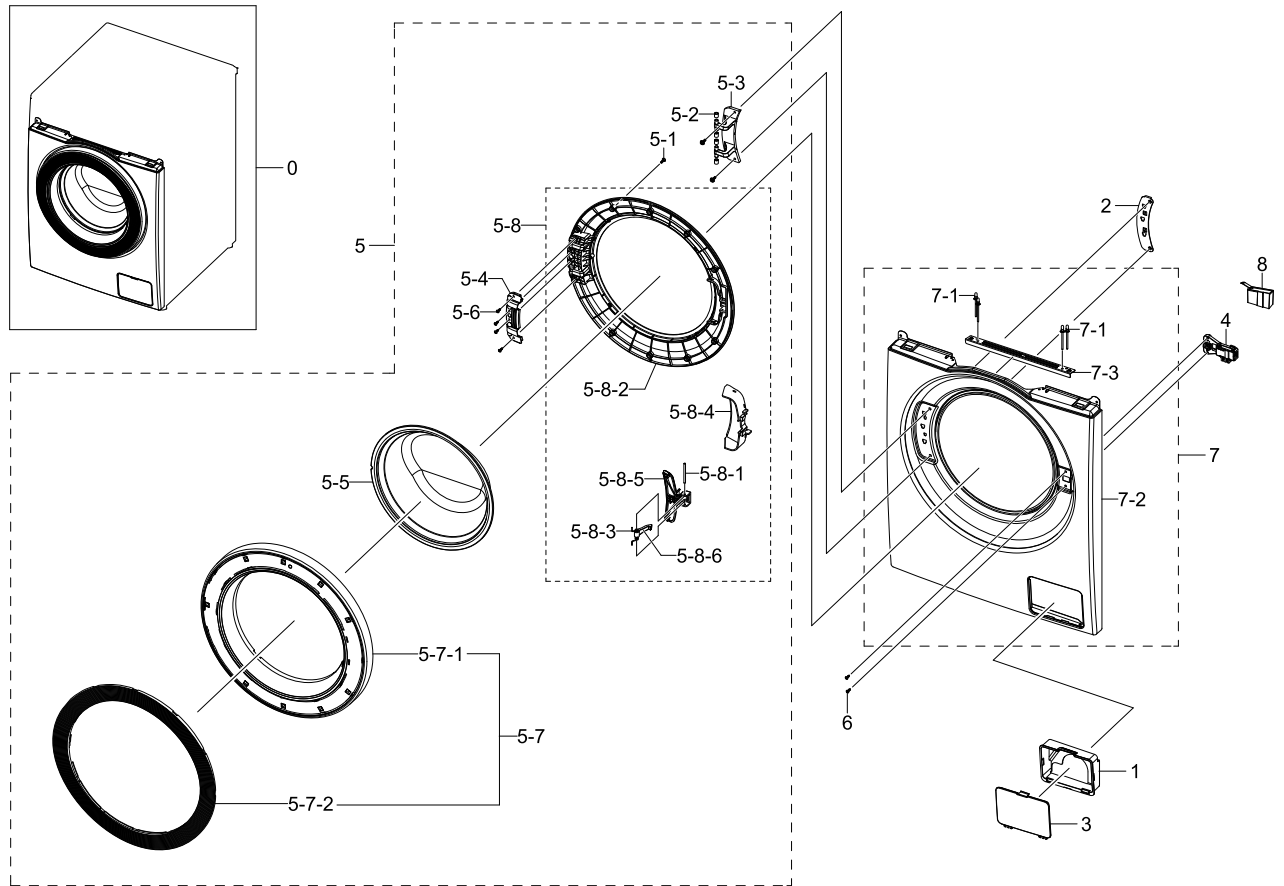
No.	Lvl.	Loc.	Material Code	Description & Specification	SNA	Qty.
5	2	WB5201	DC66-00343D	DAMPER-SHOCK; GW-PJT,STEEL+PP+RUBBER,80N,	SC	2
6	2	WB0056	DC67-00531A	WEIGHT-BALANCER(F/L); WF0800,CONCRETE,T45	SA	1
7	2	WB0055	DC67-00532A	WEIGHT-BALANCER(F/R); WF0800,CONCRETE,T45	SA	1
8	2	WE0115	DC69-00824A	PACKING-THERMISTOR; GW-PJT,EPDM,-,-,W17,H	SNA	1
10	2	WS0004	DC96-01218E	ASSY DD BLDC MOTOR; DON800,25MM/AL WIRE/0	SNA	1
10-1	3	WS0086	DC31-00074B	MOTOR BLDC-ASSY STATOR; DON800,0~1400,-,5	SC	1
10-2	3	WS0085	DC31-00075E	MOTOR BLDC-ASSY ROTOR; DON800,0~1400,-,5A	SC	1
10-3	3	WE0111	DC31-00076A	MOTOR BLDC-ASSY HALL SENSOR; DON700, 800,	SC	1
11	2	WX0557	6011-001627	BOLT-ETC; M6,L56,MFZn,SCM435,P1.0/HEX/WSP	SA	6
12	2	WI0188	DC63-01294A	COVER MOTOR; SCOUT,EGI-SECC,T0.8,W75.1,L2	SA	1
13	2	WJ5031	DC97-06080A	ASSY BOLT; BOLT+WASHER,,,,,,	SA	1
14	2	WJ5013	DC97-14263A	ASSY BOLT; MOTOR/BOLT(M8)+WASHER(OD27.5),	SA	8
15	2	WG0004	DC97-14371D	ASSY DRUM; WCVH4800K	SC	1
15-2	3	WG0054	DC66-00489B	DRUM FRONT; HEBA PJT(8kg),STAINLESS-ST543	SNA	1
15-3	3	WG0057	DC66-00491A	DRUM WRAPPER; HEBA PJT/8.0kg,STAINLESS-ST	SNA	1
15-4	3	WG0053	DC66-00492A	DRUM BACK; HEBA PJT,STAINLESS-ST543,ID48	SNA	1
15-5	3	WG0055	DC66-00493A	DRUM LIFTER; HEBA PJT,PP,TI42,GRAY,7/8KG	SA	3
15-6	3	WS0006	DC97-14370B	ASSY FLANGE SHAFT; HEBA PJT	SC	1
15-7	3	WJ5081	DC60-40137A	BOLT HEX; MARS-PJT,STS430,M8,P1.25,L30,HE	SA	3
16	2	WJ0002	DC97-14618A	ASSY CLAMP DIAPHRAGM; WF8804DP,OD2.0/L124	SA	1
17	2	WE5001	DC97-14637A	ASSY HOSE PRESSURE; HEBA PJT,-,-,-,-	SA	1
17-1	3	WH0017	DC63-10003C	SPONGE-HOSE AIR; SWF-P12,PUR FOAM,GRY	SNA	2
17-2	3	WH5226	DC67-00230B	HOSE WATER; WF8800,TPE,ID4.5,T1.75,L679,B	SC	1
17-3	3	WH0012	DC67-00293A	HOSE FILTER TUB; HEBA-PJT,EPDM,-,-,T2.5,-	SA	1
17-4	3		DC67-00297A	HOSE JOINT AIR; HEBA & Aegis-PJT,PP,L167.3,	SNA	1
17-5	3	WJ0027	DC72-00001H	CLIP RING; HEBA-PJT,HSWR-SWRH,WHITE	SNA	1
17-6	3	WP0165	DC61-70029C	CLIP RING; SEW-HW125,HSWR,WHITE	SA	2
17-7	3	WJ0027	DC65-60125B	CLIP RING; HSWR-SWRH,PI2.4,ID25,-	SNA	1

Exploded Views and Parts List

No.	Lvl.	Loc.	Material Code	Description & Specification	SNA	Qty.
18	2	WE0010	DC97-14827F	ASSY HEATER; HEBA,230V/ 2000W,NORMAL/GRAY	SNA	1
18-1	3	WE0060	DC63-00889A	COVER-HEATER; WF438AAG,ABS+PC,T3.0,W160.0	SA	1
18-2	3	WE0155	DC47-00033B	HEATER WASH; AC230V,2000W,SUS316L,728mm,N	SA	1
19	2	WH5018	DC97-14873A	ASSY HOSE AIR; WF8804DP,-,HOSE-AIR+BAND-R	SA	1
19-1	3		DC61-00158A	CLAMPER HOSE; SW65ASP,SK5,ID23,T0.8,-	SNA	1
19-2	3	WJ0027	DC65-60118J	CLIP RING; HSWR-SWRH,-,PI2.0/ID23	SNA	1
19-3	3	WH5364	DC67-00298A	HOSE AIR; HEBA PJT,EPDM,-,-,T2.5,-,BLK,-	SA	1
20	2	WH5375	DC97-14874C	ASSY HOSE DRAWER; HEBA BIGBANG,WF0800NCE,	SA	1
20-1	3	WJ5109	DC61-00219G	CLAMPER HOSE; HEBA BIGBANG,SK5,ID37/OD39/	SNA	1
20-2	3	WH5191	DC67-00422A	HOSE DRAWER TUB; HEBA-PJT,EPDM,BLK	SC	1
20-3	3	WJ0027	DC72-00001G	CLIP RING; HEBA-PJT,HSWR-SWRH,T3.0,ID49.5	SNA	1
21	2	WT0007	DC97-15518C	ASSY TUB BACK; GRIFFIN-PJT,WF9904RWE,9kg,	SC	1
21-1	3	WS0119	DC62-00008A	SEAL OIL; NBR,BLACK,-,NBU	SA	1
22	2	WX0558	6011-001644	BOLT-HEX; M10,L35,ZPC2,SM10C,DAMPER	SA	2
23	2	WP0099	DC61-02664A	BRACKET HEATER; HEBA,STAINLESS-ST5430,T0.	SA	1

4. Assy Frame Front

Exploded View



Parts List

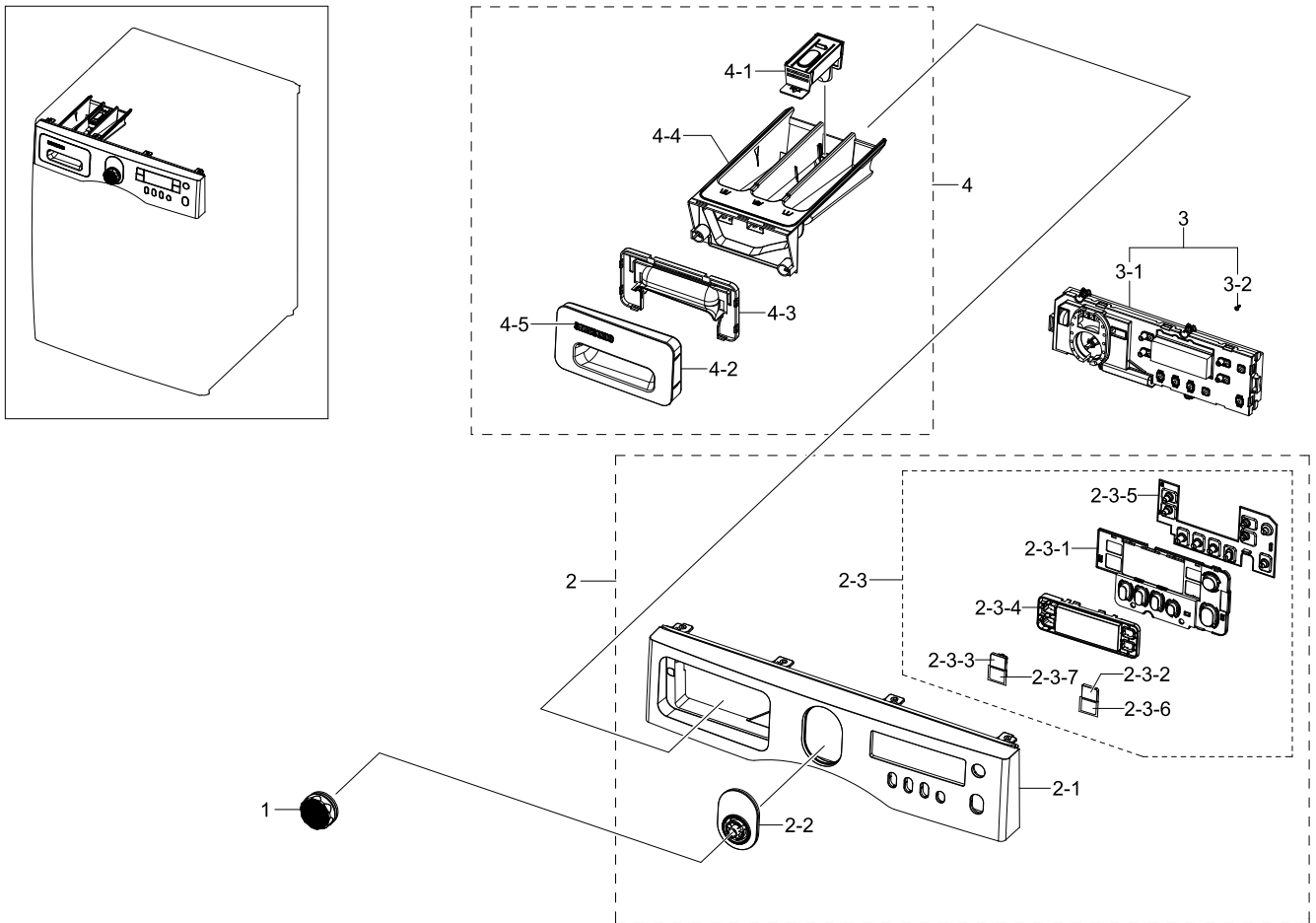
No.	Lvl.	Loc.	Material Code	Description & Specification	SNA	Qty.
0	2	WF0005	DC97-14342H	ASSY FRAME FRONT; GRIFFIN-PJT,WF9804RWE,E	SNA	1
1	3	WI0248	DC61-01917A	GUIDE FILTER; WF8804DP,HIPS,T2.5,HB,HG-17	SA	1
2	3	WP0101	DC61-01919A	BRACKET HINGE; WF8804DP,GI-SGCC,T1.4,L161	SA	1
3	3	WI0167	DC63-00854A	COVER-FILTER; WF8804DP,ABS,T2.0,-,DA WHIT	SA	1
4	3	WE0067	DC64-01538A	SWITCH DOOR LOCK; AC250V,16,BIMETAL	SA	1
5	3	WD0003	DC97-14343F	ASSY DOOR; GRIFFIN-PJT,WF8804RWE,CR DOOR+	SA	1
5-1	4	WX0621	6002-000444	SCREW-TAPPING; TH,+,2,M4,L14,PASS,STS430	SA	12
5-2	4	WD0090	DC61-00891A	GUIDE HINGE; HAUZEN(DOM),POM,NTR(WHT),HIN	SA	4
5-3	4	WD0096	DC61-01910A	HINGE-DOOR; WF8804DP,ALDC,T8,W45.5,L155,Z	SC	1

Exploded Views and Parts List

No.	Lvl.	Loc.	Material Code	Description & Specification	SNA	Qty.
5-4	4	WP0103	DC61-01915B	BRACKET HOLDER; WF8804DP,GI-SGCC,T1.2,N/A	SA	1
5-5	4	WD0070	DC64-01521A	DOOR GLASS; WF8804DP,GLASS,T5.0,H120.5,NA	SA	1
5-6	4	WX0622	6002-001306	SCREW-TAPPING; TH,+,1,M4,L14,ZPC(WHT),SWR	SA	4
5-7	4	WD0001	DC97-14328F	ASSY COVER DOOR; GRIFFIN-PJT,WF9904RWE,AB	SA	1
5-7-1	5	WD0037	DC63-00855A	COVER-DOOR; WF8804DP,ABS,T3.0,W480,L480,-	SNA	1
5-7-2	5	WD0047	DC64-01930B	DECORATION-DOOR; WF9904RWE/XEU,STAINLESS-	SNA	1
5-8	4	WD0010	DC97-15375A	ASSY HOLDER GLASS; HEBA,ALL,PP,T3.0,480*4	SNA	1
5-8-1	5	WJ0064	6043-001093	PIN-PARALLEL(KEY); A,OD3,L40,PASS,STS204	SNA	1
5-8-2	5	WD0104	DC61-01909A	HOLDER GLASS; WF8804DP,PP,T3.0,DARK HOLDE	SA	1
5-8-3	5	WD0130	DC61-02027A	SPRING ETC LEVER; STS304,CD1.2,L10.6	SNA	1
5-8-4	5	WI0153	DC63-00853A	COVER HANDLE; WF8804DP,ABS,T2.3,-,VERSAIL	SA	1
5-8-5	5	WD0093	DC64-01524A	HANDLE DOOR; WF8804DP,ABS,T2.5,HG-0760GP,	SA	1
5-8-6	5	WD0114	DC66-00497A	LEVER DOOR; WF8804DP,ZNDC,T10,W10,L46,NI	SC	1
6	3	RV005	6002-001435	SCREW-TAPPING; TH,+,2,M4,L12,PASS,STS430	SNA	2
7	3	WF0006	DC97-15021A	ASSY FRAME FRONT(S); HEBA-PJT,-,-,-,DA	SC	1
7-1	4	WJ0072	6041-001035	RIVET-RH; K1661-0512,AL(A5052),OD3.9,L11,	SNA	8
7-2	4	WF0082	DC61-01916A	FRAME FRONT; WF8804DP,EGI-SECC,-,DA WHITE	SNA	1
7-3	4	WP0095	DC61-01981A	BRACKET FRAME; WF8804DP,GI-SGCC,T0.8,W20,	SA	1
8	3	WE0059	DC63-00967A	COVER DOOR SWITCH; AEGIS-PJT/ WF8500NHW,P	SA	1

5. Assy Panel Control&Drawer

Exploded View



Parts List

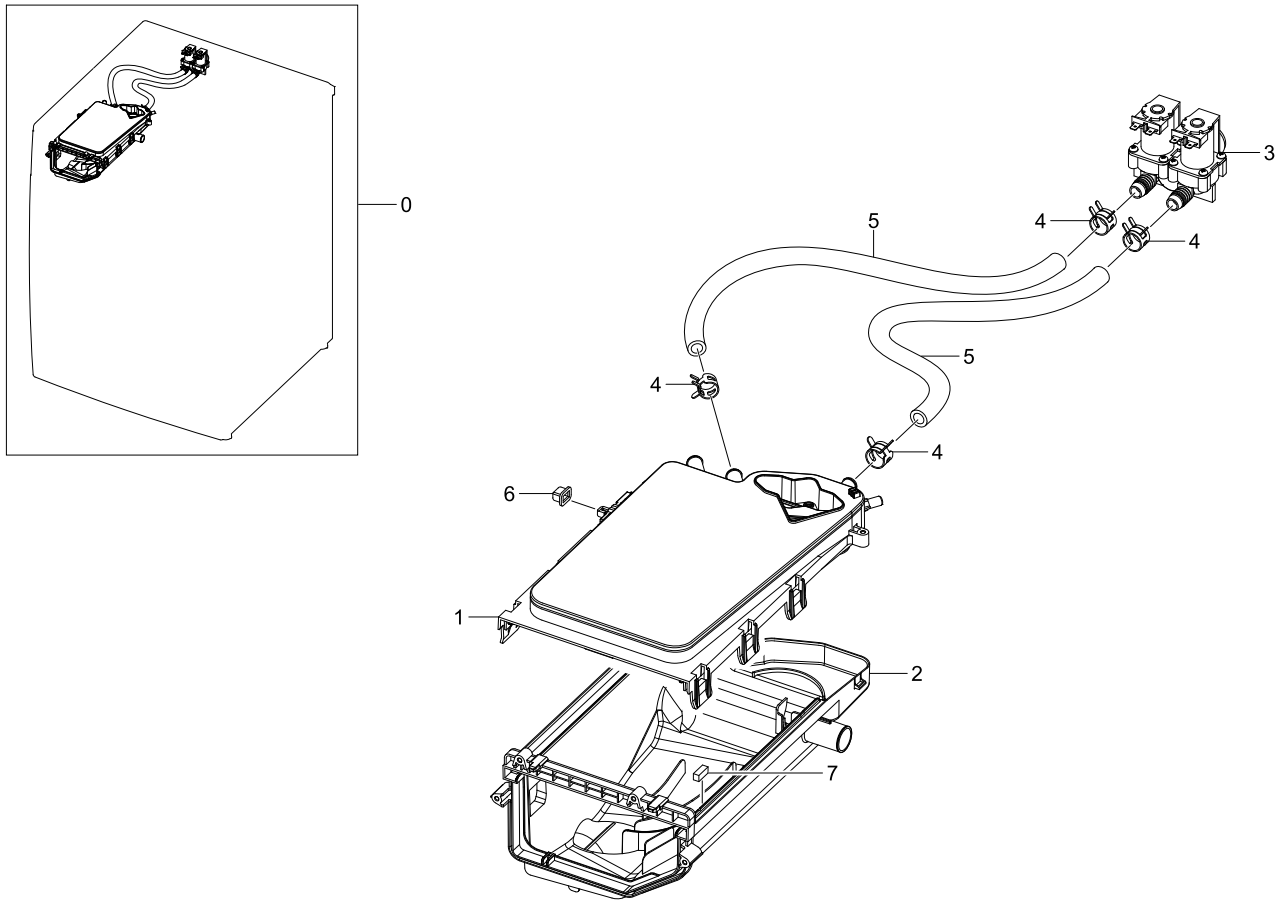
No.	Lvl.	Loc.	Material Code	Description & Specification	SNA	Qty.
1	2	WC0009	DC97-15723B	ASSY KNOB ENCODER; GRIFFIN-PJT,WF9904RWE,	SC	1
2	2	WC0016	DC97-15700V	ASSY PANEL CONTROL; GRFFIN-PJT,WF9902LWE/	SA	1
2-1	3	WC0122	DC64-01923A	PANEL CONTROL; WF9904RWE/XEU,ABS,HB,HG076	SNA	1
2-2	3	WC0135	DC64-01533A	WINDOW ENCODER; HEBA,PC,-,3022IR,-,HIGH/M	SNA	1
2-3	3	WC0001	DC97-15702S	ASSY BUTTON; GRIFFIN-PHT,WF9902LWE/XEC,BL	SA	1
2-3-1	4	WC0053	DC64-01917A	BUTTON-PUSH(F); WF9904RWE/XEU,ABS,T2.0,-,	SNA	1
2-3-2	4	WC0054	DC64-01918B	BUTTON PUSH-OPTION; WF9904RWE/XEU,ABS,HB,	SNA	1
2-3-3	4	WC0054	DC64-01919B	BUTTON PUSH-OPTION; WF9904RWE/XEU,ABS,HB,	SNA	1

Exploded Views and Parts List

No.	Lvl.	Loc.	Material Code	Description & Specification	SNA	Qty.
2-3-4	4	WC0140	DC64-01920A	WINDOW PANEL; WF9904RWE/XEU,PMMA,HB,NR,CL	SNA	1
2-3-5	4	WC0059	DC64-01921A	BUTTON RUBBER; WF9904RWE/XEU,SILICON,W195	SNA	1
2-3-6	4	WC0054	DC64-01936B	BUTTON PUSH-OPTION; WF9904RWE/XEU,ABS,HB,	SNA	1
2-3-7	4	WC0054	DC64-01937B	BUTTON PUSH-OPTION; WF9904RWE/XEU,ABS,HB,	SNA	1
3	2	WZ0025	DC92-00267K	ASSY PCB SUB; P171,GRIPPIN SUB,WF9902LWE/	SA	1
3-1	3	WI0259	DC61-02683A	GUIDE-PCB(S); SCOUT-PJT,HIPS,T2.5,NATURAL	SA	1
3-2	3	WX0419	6002-000239	SCREW-TAPPING; TH,+,NO,2S,M4,L8,ZPC(WHT),	SA	2
4	2	WC0017	DC97-15712A	ASSY PANEL DRAWER; GRIFFIN-PJT,WF9904RWE,	SA	1
4-1	3	WR0046	DC61-01741A	STOPPER DRAWER; -,PP,-,-,-,SGEC	SA	1
4-2	3	WC0120	DC64-01928A	PANEL DRAWER; WF9904RWE/XEU,ABS,HB,HG0760	SNA	1
4-3	3	WR0037	DC64-01929A	HANDLE DRAWER; WF9904RWE/XEU,ABS,T2.0,HG0	SNA	1
4-4	3	WR0029	DC61-01740B	BODY DRAWER; WF-J1254/XAA,PP,WHT(W52),TB5	SA	1
4-5	3	WC0114	DC64-01973A	MASCOT; GRIFFIN-PJT,NICKEL,T0.25,W60,BLK,	SNA	1

6. Assy Housing Drawer

Exploded View



Parts List




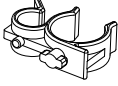
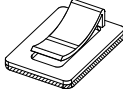




No.	Lvl.	Loc.	Material Code	Description & Specification	SNA	Qty.
0	2	WR0008	DC97-14654B	ASSY HOUSING DRAWER; WF8804DP,HEBA-PJT/CO	SNA	1
1	3	WR0012	DC97-14656B	ASSY S.HOUSING DRAWER; HEBA-PJT,-,PP,8kg,	SA	1
2	3	WR0050	DC61-02434A	HOUSING DRAWER-LOW; HEBA-PJT,PP,T1.8,NATU	SA	1
3	3	WE5155	DC62-00024F	VALVE WATER; AC220-240V,Bracket,1in 2out,	SC	1
4	3		DC65-00008A	CLAMPER HOSE; SEW-DR605,SK5,-,ID14.2/T0.9	SNA	2
5	3	WH5267	DC67-00051B	HOSE DRAWER; Q1636GW/XEU,EPDM,ID9.0,OD14.	SA	0

Exploded Views and Parts List

No.	Lvl.	Loc.	Material Code	Description & Specification	SNA	Qty.
6	3		DC67-00327A	CAP DRAWER HOOK; HEBA-PJT,EPDM,T1.1,W13.9	SA	1
7	3	WI0227	DC62-00012D	FILTER-GUIDE; HEBA-PJT,PU-FOAM,T12,W25,L1	SA	1

7. Small Parts

Exploded View

					
1	2	3	4	5	6
					
7	8	9			

Parts List

No.	Lvl.	Loc.	Material Code	Description & Specification	SNA	Qty.
1	2	WI0293	DC61-40086A	HOLDER WIRE; DAWH-3NB,PA,T1.8,NATURAL,-,K	SA	2
2	2	WI0293	DC61-01736A	HOLDER WIRE; SEW-HKR149ATA,PA,128,NEW-K4	SA	1
3	2	WI0293	DC61-40081A	HOLDER WIRE; DAWH-2NC,PA66,-,NATURAL,-	SA	10
4	2		DC61-00133A	CLAMPER HOSE-FIX; P1291,PP,-,HOSE+PLUG,BJ	SNA	1
5	3		6502-000154	CABLE CLAMP; DAFC-2500,-,T15,NYLON#6/6,NT	SNA	1
6	2		DC61-00118A	CLAMP-CABLE; P1291,PA66,NATURAL,NC0001	SNA	1
7	2	WI0293	DC61-00995C	HOLDER WIRE; HEBA-PJT,PA,-,NATURAL,-,2110	SA	1
8	2	WI0293	DC61-40083A	HOLDER WIRE; DAWH-3ND,PA66,NTR(PI24.4)/NY	SNA	1
9	3	WI0293	DC61-01736A	HOLDER WIRE; SEW-HKR149ATA,PA,128,NEW-K4	SA	2