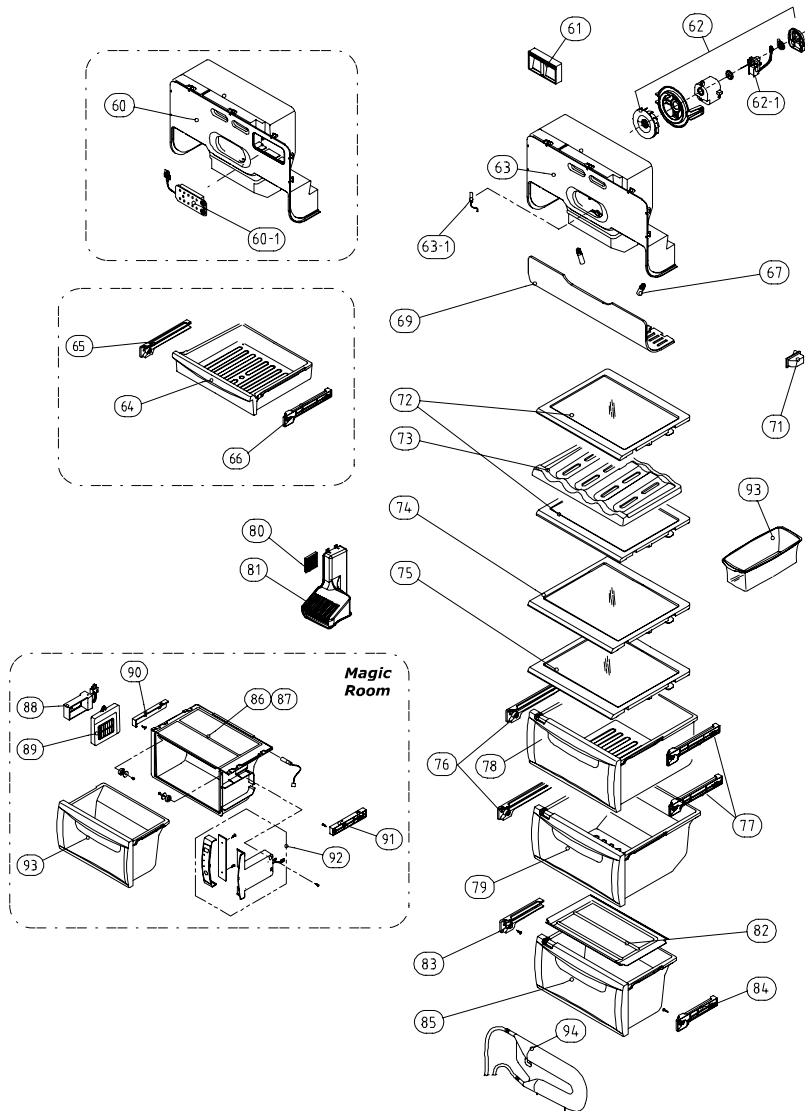


NO	PART-CODE	PART NAME	SPEC.	Q'ty	
				201A	
29	NO DISPON	BASE COMP AS	FRU-5711	1	
31	NO DISPON	CORD POWER AS		1	
34	30164011700	CAPACITOR RUN	Model dependent	1	
35	3956183D50	COMP	Model dependent	1	
36	NO DISPON	SPECIAL WASHER	SK-5, T0.8	4	
37	NO DISPON	RUBBER ABSORBER COMP	NBR (R-134a)	4	
		ABSORBER COMP AS	FRU-541D (R-600a)		
39	3018129600	SWITCH P RELAY AS	Model dependent	1	
40	NO DISPON	COVER RELAY	Model dependent	1	
41	3011181300	CASE VAPORI AS	PP	1	
42	3013201710	HOSE DRN B	PE FRB-5350NT	1	
44	3014461510	PIPE WICON AS	TSW OD4.76XT0.7	1	
45	NO DISPON	FIXTURE MOTR	PP	1	
46	3015916100	MOTOR C FAN AS	DC-2213DWCA-3	1	
47	3018500300	M/BELL B	PP	1	
48	3018500200	M/BELL A	PP	1	
49	3011834700	FAN	ABS OD3.17XD150	1	
50	NO DISPON	CLAMP FAN	SUS 304	1	
51	3016808100	DRYER AS	C1220T	1	
52	3011497000	COVER MACH ROOM AS	SBHG T0.35	1	
95	3017053500	EVA AS	FRU-5711	1	
95-1	3012818300	HEATER SHEATH AS	AC220V/ 192W	1	
95-2	3014806900	SENSOR D AS	PBN-43	1	
95-3	NO DISPON	FIXTURE D SENS	PP	1	
95-4	3017202000	FUSE TEMP AS	AC250V 10A 77C	1	

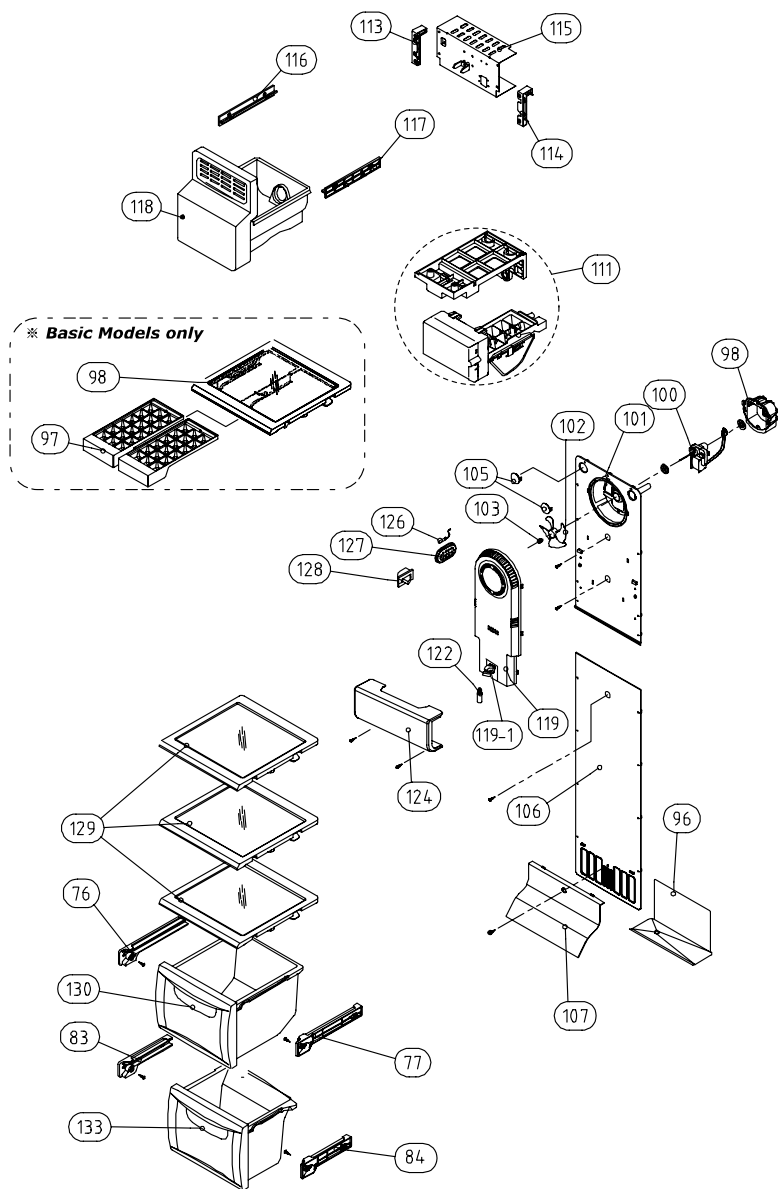
- Some parts can be chaged for improving their perfomance without notice.
- Above parts number doesn't describe your own colour & printing. Please remind!

Date	A mendment Note
07. 4. 5	No. 37 Q'ty change, 95-4 code change.
	Screw code delete, No. 95-5 'Fixture fuse temp' code delete.



NO	PART-CODE	PART NAME	SPEC.	Q'ty	
				201A	
60	3011492810	COVER DAMP AS	COMPATIBLE: 3011444400	1	
60-1	3014235200	PANEL CONTL *I AS		1	
61	3012214100	FRAME CHECK VALVE AS	FRU-5711	1	
62	3012024200	FIXTURE MOTR AS		1	
62-1	3015916000	MOTOR R FAN	D4612AAA20	1	
63	NO DISPONIBLE PARA ESTE MODELO				
63-1	3014807100	SENSOR R AS	PBN-43B	1	
64	3011185700	CASE CHILD	GPPS	1	
65	3012514500	GUIDE CASE A *L AS	HIPS	1	
66	3012514600	GUDIE CASE A *R AS	HIPS	1	
67	3013602500	LAMP F/R	AC 240V 25W(S)	2	
69	3015510800	WINDOW R LAMP	MIPS	1	
71	3018124000	SWITCH DR	SP201R-7DR (R-134a)	1	
72	3017842820	SHELF INMOLDING R A AS	COMPATIBLE: 3017842810 / 3017842800	2	
73	NO DISPONIBLE PARA ESTE MODELO				
74	3017843320	SHELF INMOLDING R C AS	COMPATIBLE: 3017843300	1	
75	3017842900	SHELF INMOLDING R B AS	COMPATIBLE: 3017842910	1	
76	3012514500	GUIDE CASE A *L AS	HIPS	1	
77	3012514600	GUDIE CASE A *R AS	HIPS	1	
78	NO DIPONIBLE PARA ESTE MODELO				
79	3011114630	CASE VEGETB B AS	CASE(NANO)+FRAME	1	
80	3018701800	DEO ANTI AS	W40XT5XL40	1	
81	3011445900	COVER RETURN DUCT	PP	1	
82	3011446700	COVER VEGETB CASE B	GPPS	1	
83	3012529700	GUIDE CASE C *L AS	HIPS	1	
84	3012529800	GUIDE CASE C *R AS	HIPS	1	
85	3011114730	CASE VEGETB C AS	CASE(NANO)+FRAME	1	
86	NO DIPONIBLE PARA ESTE MODELO				
87	NO DIPONIBLE PARA ESTE MODELO				
88	NO DIPONIBLE PARA ESTE MODELO				
89	NO DIPONIBLE PARA ESTE MODELO				
90	NO DIPONIBLE PARA ESTE MODELO				
91	NO DIPONIBLE PARA ESTE MODELO				
92	NO DIPONIBLE PARA ESTE MODELO				
93	NO DIPONIBLE PARA ESTE MODELO				
93	3011171300	CASE EGG AS	COMPATIBLE: 3011171330	1	
94	NO DIPONIBLE PARA ESTE MODELO				

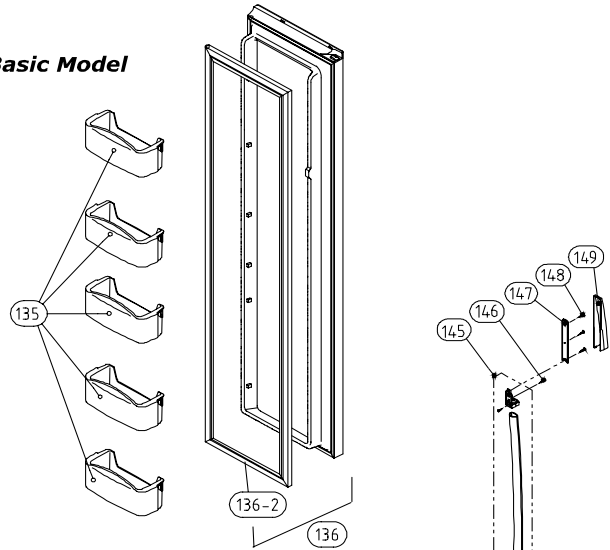
- Some parts can be chaged for improving their perfomance without notice.
- Above parts number doesn't describe your own colour & printing. Please remind!



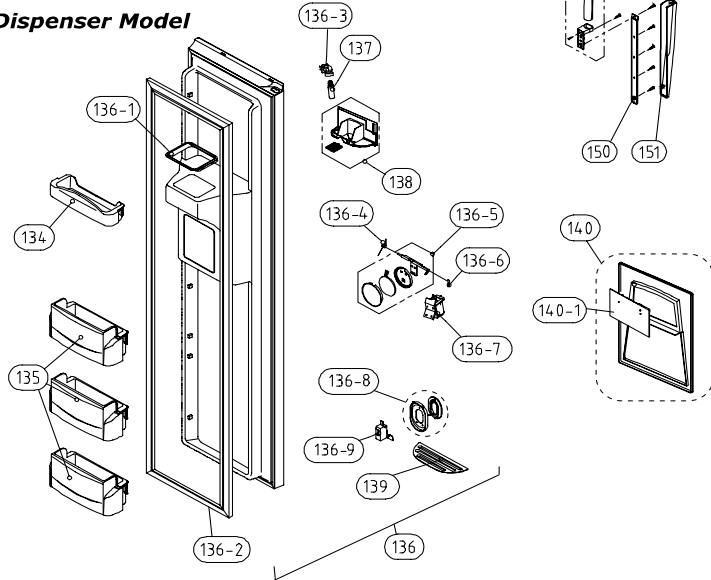
NO	PART-CODE	PART NAME	SPEC.	Q'ty	
				201A	
76	30125145 00	GUIDE CASE A *L AS	HIPS	1	
77	30125146 00	GUDIE CASE A *R AS	HIPS	1	
83	30125297 00	GUIDE CASE C *L AS	HIPS	1	
84	30125298 00	GUIDE CASE C *R AS	HIPS	1	
96	NO DISPON	GUIDE DRN	GA	1	
97	3011186300	CASE ICE	PP	2	
98	3017842710	SHELF F ICE AS	COMPATIBLE: 3017842700	1	
100	3015915900	MOTOR F FAN	D4612AAA21	1	
101	3018921300	LOUVER F A	ABS	1	
102	3011834500	FAN	ABS OD3.17XD130	1	
103	NO DISPON	CLAMP FAN	SUS 304	1	
105	3010968600	CAP F LOUVER B	HIPS	2	
106	3018921500	LOUVER F B AS	HIPS	1	
107	3011443200	COVER F RETURN	HIPS	1	
111	NO DIPONIBLE PARA ESTE MODELO				x
113	NO DIPONIBLE PARA ESTE MODELO				
114	NO DIPONIBLE PARA ESTE MODELO				
115	NO DIPONIBLE PARA ESTE MODELO				
116	NO DIPONIBLE PARA ESTE MODELO				
117	NO DIPONIBLE PARA ESTE MODELO				
118	NO DIPONIBLE PARA ESTE MODELO				
119	30014017 00	COVER F FAN AS	FRU-5711	1	
119-1	3017906600	SOCKET F LAMP AS	FR-S570FRB	1	
122	3013602500	LAMP F	AC 240V 25W(S)	1	
124	3015510700	WINDOW F LAMP	MIPS	1	
126	3014807000	SENSOR F AS	PT-38	1	
127	3011442600	COVER F SENS	ABS	1	
128	3018124010	SWITCH DR	SP201R-7DR (R-134a)	1	
129	3017842600	SHELF F AS	COMPATIBLE: 3017842610	3	
130	3011114830	CASE F A AS	CASE(NANO)+FRAME	1	
133	3011114930	CASE F B AS	CASE(NANO)+FRAME	1	

Date	Amendment Note
07. 4. 5.	No.76,77,83,84,119(ECM) code change.

※ Basic Model



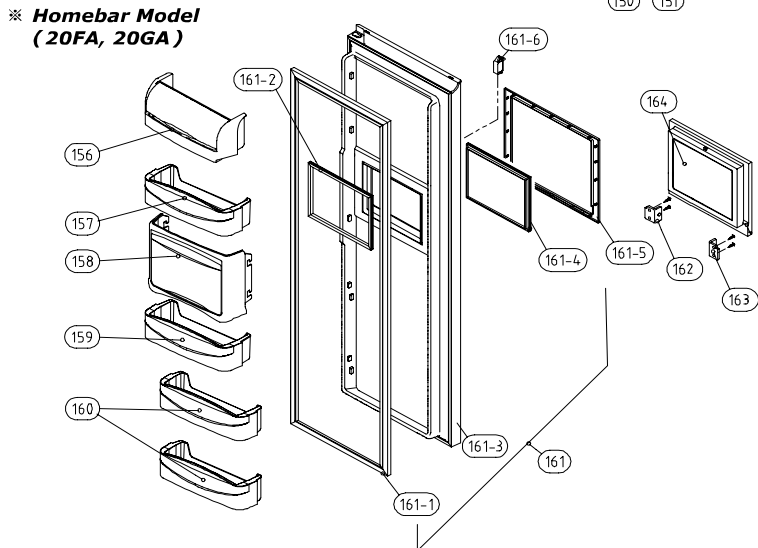
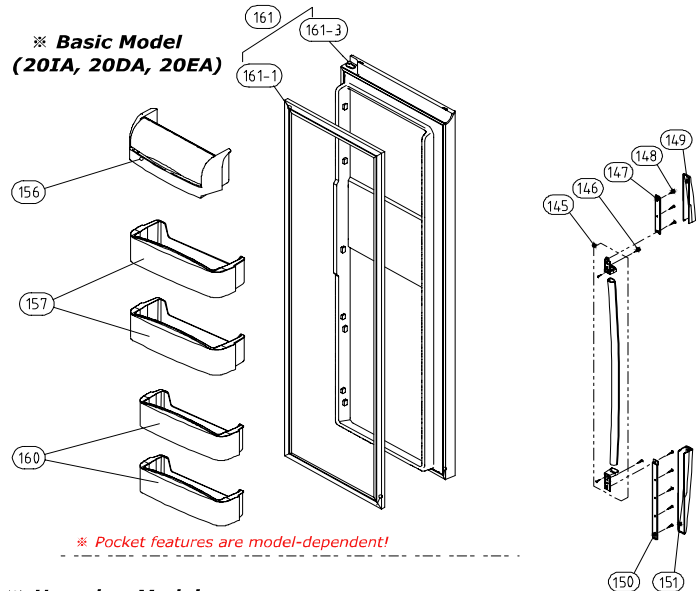
※ Dispenser Model



NO	PART-CODE	PART NAME	SPEC.	Q'ty	
				201A	
134		NO DIPONIBLE PARA ESTE MODELO			
135	3019026600	POCKET F	HIPS		5
136	3000060400MWH4L	ASSY F DR	COLOR: MWH4L		1
136-1		NO DIPONIBLE PARA ESTE MODELO			
136-2	3012318810	GASKET F DR AS	COMPATIBLE: 3012318800		1
136-3		NO DIPONIBLE PARA ESTE MODELO			
136-4		NO DIPONIBLE PARA ESTE MODELO			
136-5		NO DIPONIBLE PARA ESTE MODELO			
136-6		NO DIPONIBLE PARA ESTE MODELO			
136-7		NO DIPONIBLE PARA ESTE MODELO			
136-8		NO DIPONIBLE PARA ESTE MODELO			
136-9		NO DIPONIBLE PARA ESTE MODELO			
137		NO DIPONIBLE PARA ESTE MODELO			
138		NO DIPONIBLE PARA ESTE MODELO			
139		NO DIPONIBLE PARA ESTE MODELO			
140		NO DIPONIBLE PARA ESTE MODELO			
140-1		NO DIPONIBLE PARA ESTE MODELO			
145	3012641500ISG3E	HANDLE AS	COLOR: ISG3E		1
146	NO DISPON	SPECIAL SCREW	WASR+ TRS5X16MFZN		2
147	3010339500	BASE HANDLE *T	HIPS		1
148	NO DISPON	SCREW TAPPING	T1 TRS 4*12 MFZN		8
149	3011446400MWH4L	COVER HNDLDECO *T	COLOR: MWH4L		1
150	3010339600	BASE HANDLE *U	HIPS		1
151	3011446500MWH4L	COVER HNDLDECO *U	COLOR: MWH4L		1

- Some parts can be chaged for improving their performance without notice.
 - Above parts number doesn't describe your own colour & printing. Please remind!

Date	Amendment Note
07. 4. 6.	No.136-7 code change, No. 136 Renumbering.



NO	PART-CODE	PART NAME	SPEC.	Q'ty	
				201A	
145	3012641500ISG3E	HANDLE AS	COLOR: ISG3E	1	
146	NO DISPON	SPECIAL SCREW	WASR+ TRS5X16MFZN	2	
147	3010339500	BASE HANDLE *T	HIPS	1	
148	NO DISPON	SCREW TAPPING	T1 TRS 4*12 MFZN	8	
149	3011446400MWH4L	COVER HNDLDECO *T	COLOR: MWH4L	1	
150	3010339600	BASE HANDLE *U	HIPS	1	
151	3011446500MWH4L	COVER HNDLDECO *U	COLOR: MWH4L	1	
156	3019027500	POCKET DAIRY AS	FRU-5711	1	
157	3019026800	POCKET R	FRU-5711	2	
158	NO DIPONIBLE PARA ESTE MODELO				
159	NO DIPONIBLE PARA ESTE MODELO				
160	3019026900	POCKET R *S	FRU-5711	2	
161	3000060500MWH4L	ASSY R DR	COLOR: MWH4L	1	
161-1	3012318900	GASKET R DR AS	COMPATIBLE: 3012318910	1	
161-2	NO DIPONIBLE PARA ESTE MODELO				
161-3	PEDIR CÓDIGO: 300060500MWH4L	ASSY R DR URT	COLOR: MWH4L	1	
161-4	NO DIPONIBLE PARA ESTE MODELO				
161-5	NO DIPONIBLE PARA ESTE MODELO				
161-6	NO DIPONIBLE PARA ESTE MODELO				
162	NO DIPONIBLE PARA ESTE MODELO				
163	NO DIPONIBLE PARA ESTE MODELO				
164	NO DIPONIBLE PARA ESTE MODELO				

- **Some parts can be chaged for improving their perfomance without notice.**
- **Above parts number doesn't describe your own colour & printing. Please remind!**

Date	A mendment Note
07. 4. 6.	No. 161 Renumbering.