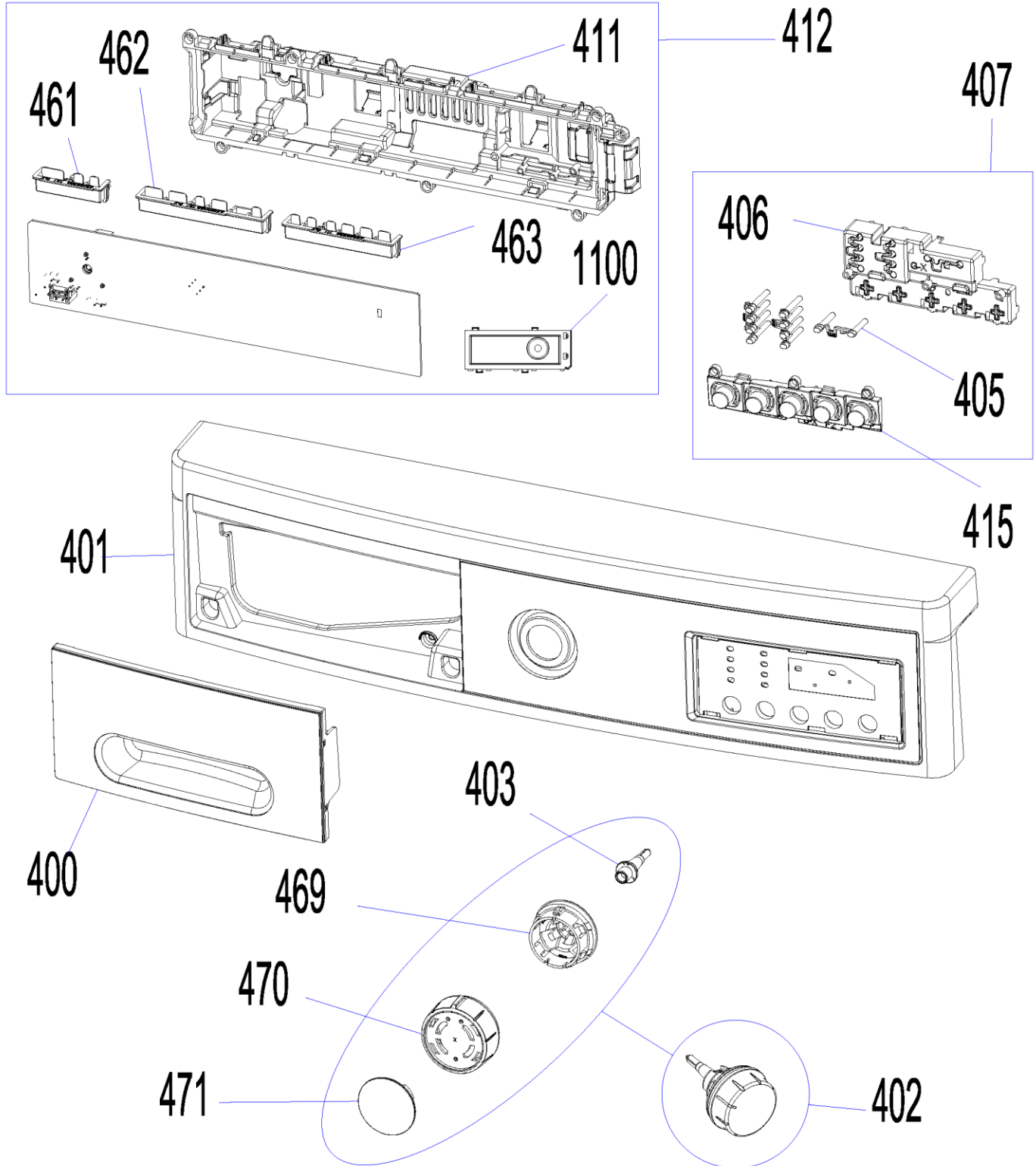


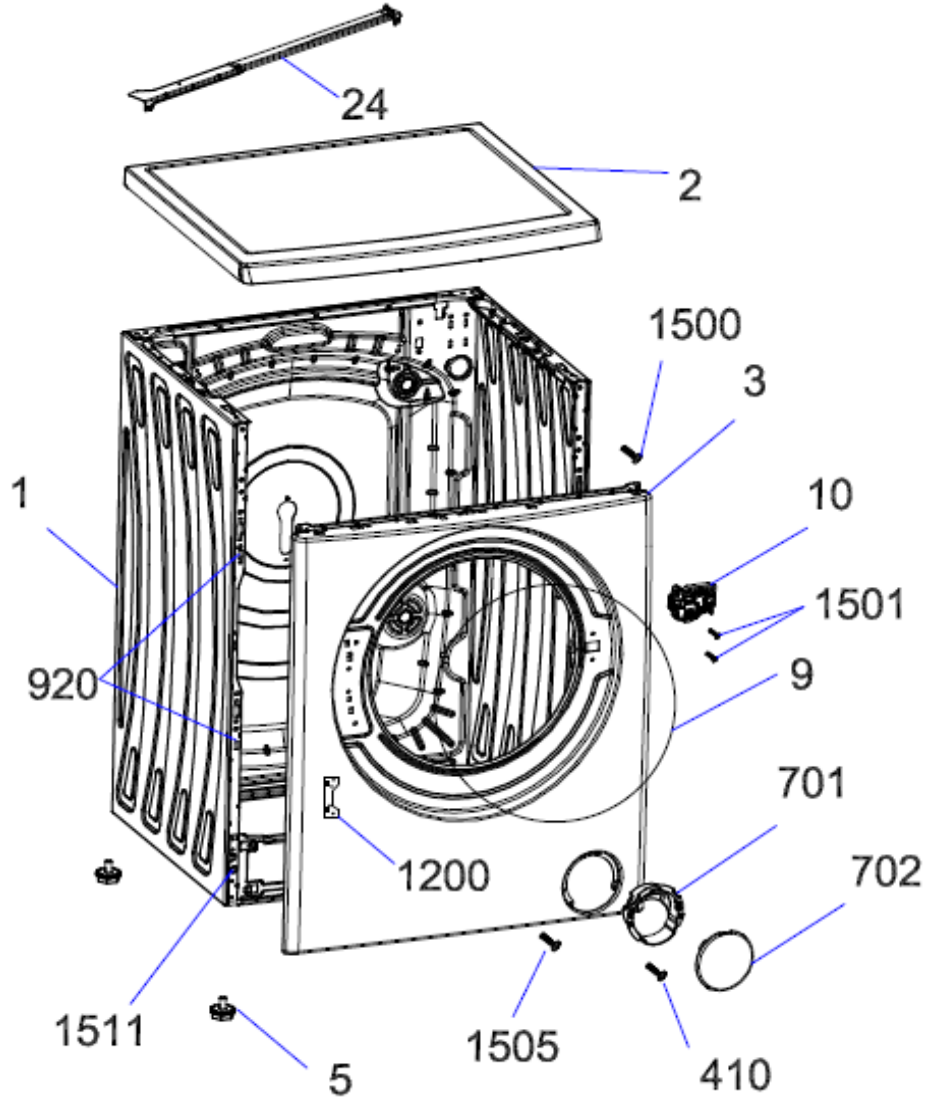
**1. CONTROL PANEL PARTS**






NO	PART NAME	QUANTITY
400	DETERGENT DRAWER COVER	1
401	CONTROL PANEL	1
402	PR. ADJUSTMENT KNOB GR	1
403	PROGRAMME ADJUSTMENT SHAFT	1
405	LIGHT GUIDE DUO	1
406	CARD BOX	1
407	F2 BUTTON-LIGHT GUIDE GROUP	1
411	PCB BOX	1
412	ELECTRONIC CARD	1
415	TRIPLE SELECTION BUTTON	1
461	SOCKET HOLDER-F1	1
462	SOCKET HOLDER-F2	1
463	SOCKET HOLDER-F3	1
469	PROGRAM ADJ. INSERT	1
470	PROGRAM ADJ. KNOB	1
471	PROGRAM ADJ. KNOB COVER	1
500	CONTROL PANEL GROUP ( indicated for the website)	1
1100	PCB BOX REAR COVER	1

POSICION	CODIGO	DESCRIPCION	FOTO1	FOTO2
401	42145916	CONTROL PANEL		
412	20889301	PCB AS		
402	42103118	DIAL ENTERO.		
470	42082603	SOPORTE DIAL		
471	42082604	TAPA DIAL		

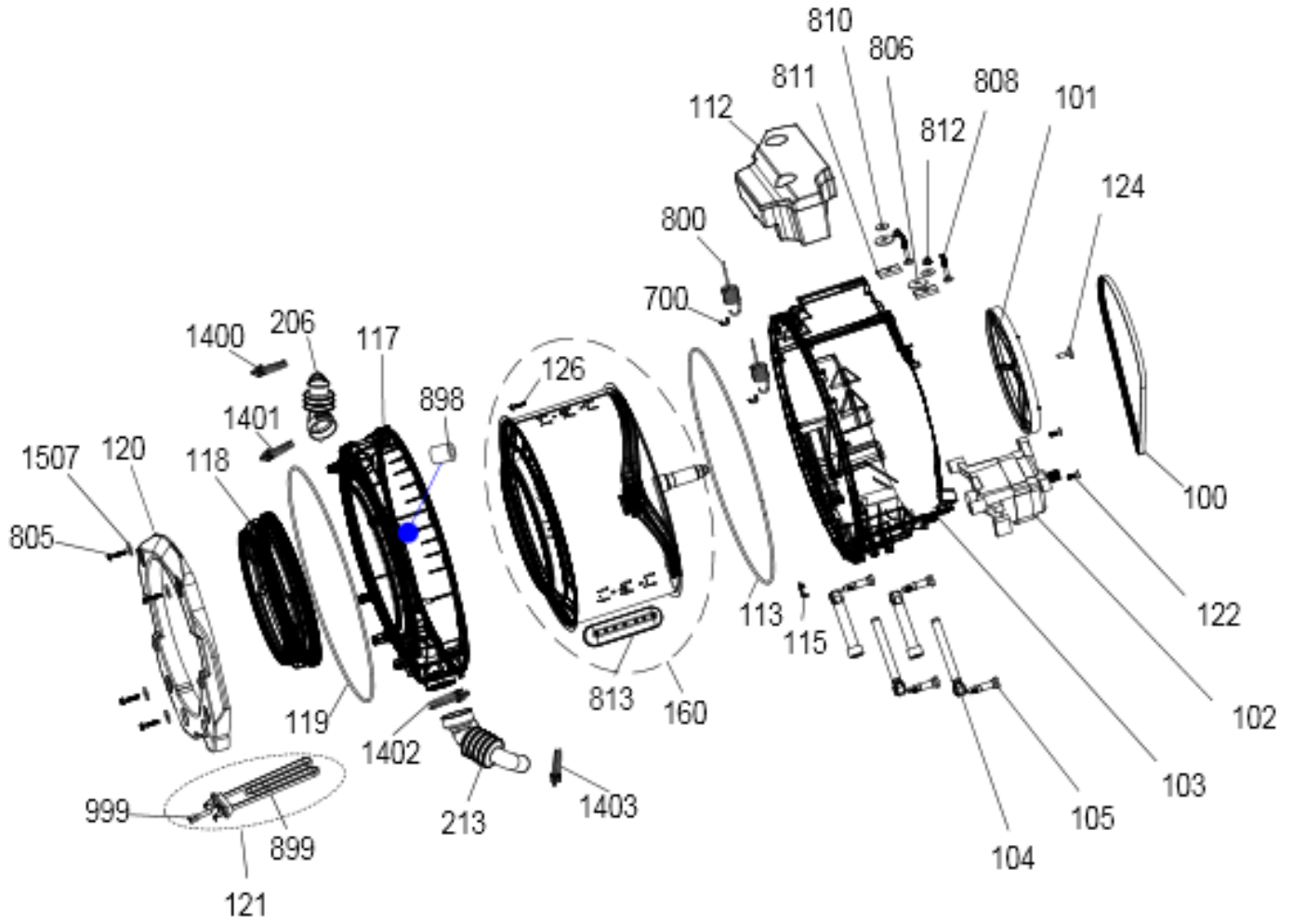
## 2. FRONT PANEL PARTS



REF. NO	PART NAME	QTY
1	BODY GROUP PAINTED	1
2	UPPER TRAY GROUP	1
3	FRONT PANEL GROUP	1
5	ADJUSTABLE FEET GR.	4
9	HOUSING FRAME BELLOW CLIP-PHYTON	1
10	DOOR LOCK	1
24	UPPER SUPPORT BRAKET	1
701	PUMP COVER HOUSING	1
702	PUMP COVER	1
920	FRONT PANEL DROP FIXING PLASTIC-II	4
1200	HINGE SUPPORT SHEET	1
1500	ST 4,2X9,5 TRTSB	2
1501	ISO 7049 ST 4,2X16 TORX	2
1504	ISO 7049 ST 4,2X13 TORX	4
1505	ST 4,8X9,5 PAN HE.WITH COL.TORX UN.SER.E	2
1511	FRONT PANEL DROP FIXING PLASTIC-I-B	2
410	SCREW 4X12 TORX PAN HE.W.COL.UND.HE.SER.	1

POSICION	CODIGO	DESCRIPCION	FOTO1	FOTO2
2	42028889	TAPA ENCIMERA		
10	32005174	DOOR LOCK		

**3.WASHING GROUP PARTS**



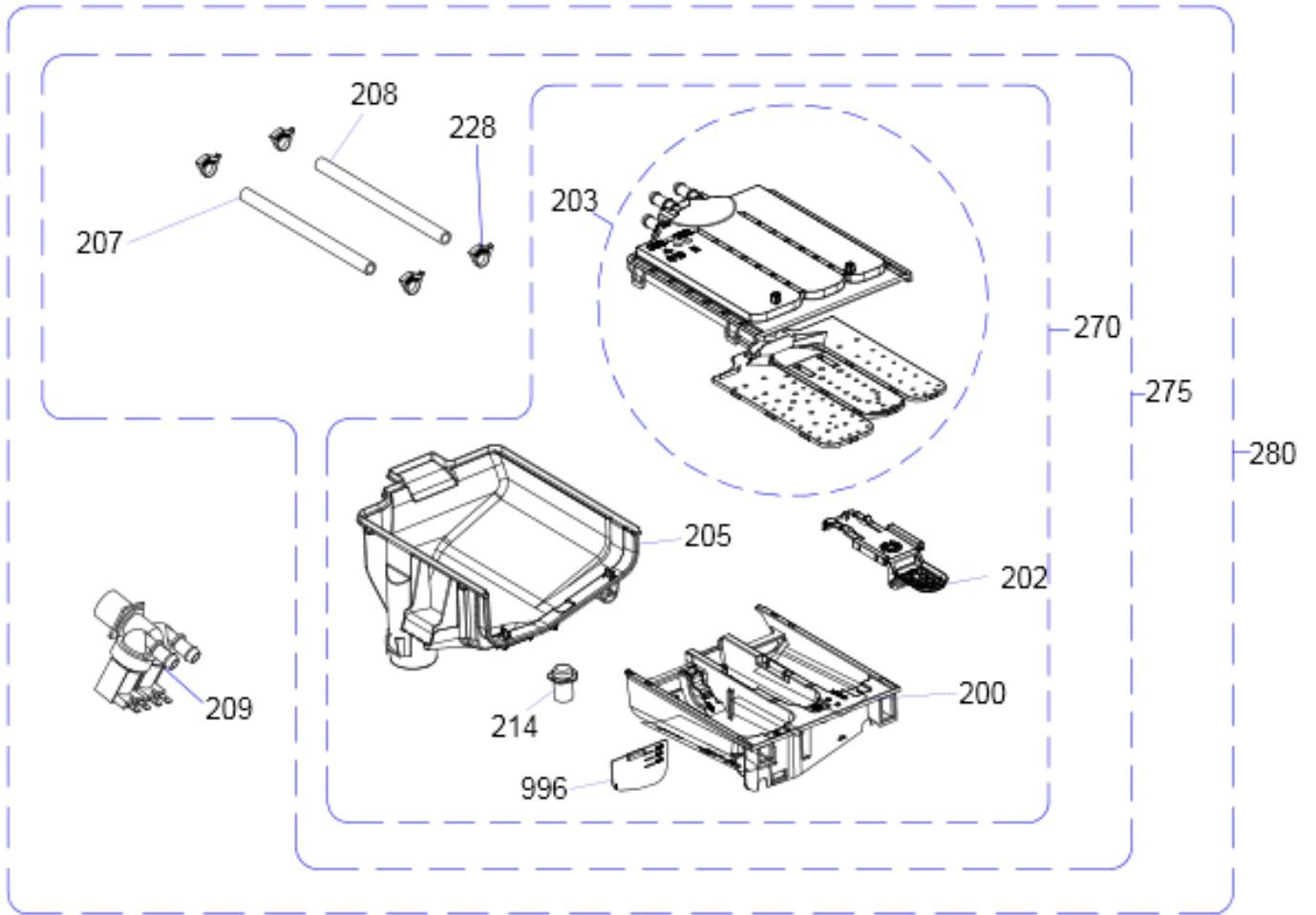
NO	PART NAME	QUANTITY
100	BELT	1
101	DRIVEN PULLEY	1
102	MOTOR	1
103	REAR TUB GROUP	1
104	SHOCK ABSORBER	2
105	SHOCK ABSORBER PIM	2
112	UPPER COUNTERWEIGHT	1
113	TUB SEAL	1
115	RESISTANCE FIXING WIRE	1
117	FRONT TUB	1
118	TUB BELLOWS SEAL	1
119	TUB BELLOW CLIP	1
120	FRONT COUNTERWEIGHT	1
121	RESISTANCE GROUP	1
122	COUNTERSUNK HEAD BOLT 8X25 TORK	2
124	COUNTERSUNK HEAD BOLD M 8X29	1
126	HEXAGON HEAD BOLT 6 X 30	12
160	DRUM GROUP	1
206	TUB ENTERANCE WITH BELLOW HOSE	1
213	TUB EXIT WITH BELLOW HOSE	1
700	TUB HANGER SPRING PART	2
800	HANGER SPRING	2
806	DUZ RONDELA 8.4X28X3	2
807	HEXAGON HEAD BOLT	4
808	WASHER 8,4X28X3	4
809	WASHER 8,5X35X3	2
811	UPPER CONCRETE SUPPORT SHEET IRON PART	2
812	NUT M8	2
813	PLASTIC LIFTER	1
810	UPPER COUNTERWEIGHT WASHER 9X30X3	3
898	PSW HOSE MOUNTING RUBBER	2
899	RESISTANCE WITHOUT NTC	1
999	NTC	1
1400	SCREWED HOSE CLAMP Ø65	1
1401	SPRING TYPE BANT CLAMP	1
1402	HOSE CLAMP SCREW TYPE Ø72	1
1403	HOSE CLAMP Ø38,8	1
1507	DÜZ RONDELA 10.5X30X2.5	4

POSICION	CODIGO	DESCRIPCION	FOTO1	FOTO2
100	42028149	CORREA MOTOR		
101	37017803	PULLEY		
102	32017574	MOTOR		
103	20820299	CUBA TRASERA + RETEN + COJINETES		
104	47010522	AMORTIGUADOR		
105	42025094	PASADOR AMORTIGUACION		
117	42105195	SEMICUBA DELANTERA.		
118	42002568	GOMA ESCOTILLA		
121	20846083	RESISTENCIA+ TERMISTOR		



160	20820259	BOMBO + CRUCETA		
203	42079698	TUBO DE CUBA A BOMBA + CAMARA PRESOSTATO Y TUBO		
206	42087110	TUBO DE DEPOSITO DETERGENTE A CUBA		
800	37022658	MUELLE CUBA		
813	42097400	BATIDOR	 	
999	32025771	TERMISTOR		

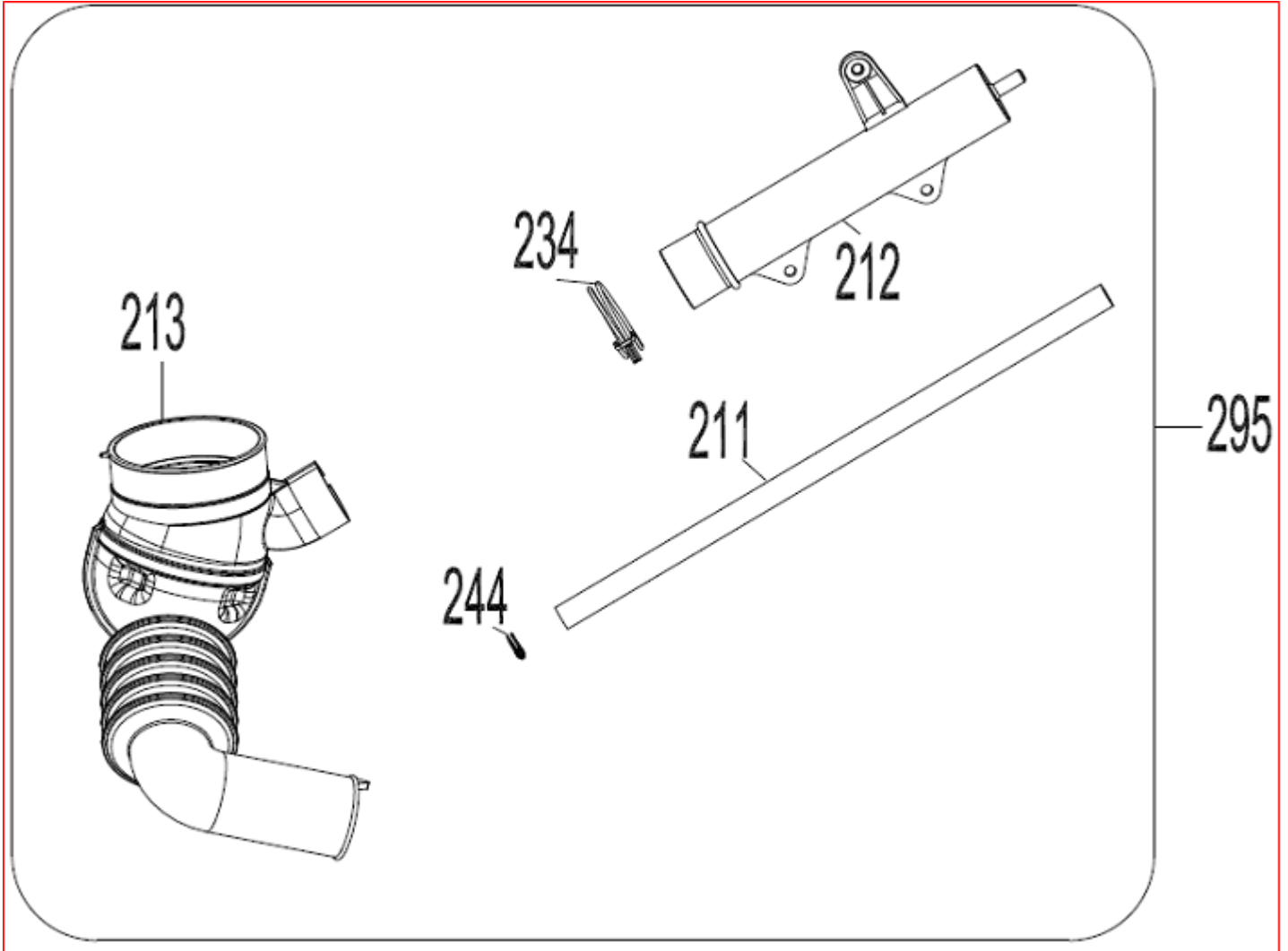
**4.DETERGENT DRAWER GROUP**



NO	PART NAME	QUANTITY
200	DETERGENT DRAWER	1
202	SIPHON COVER	1
203	WATER DISTRIBUTION PLATE GROUP	1
205	DETERGENT DRAWER HOUSING	1
207	VALVE-DETERGENT BOX HOSE	1
209	VALVE(TWO EXIT)	1
214	DETERGENT DRAWER LOCKING PART	1
228	PLASTIC HOSE CLAMP	6
996	LIQUID DETERGENT LEVEL PLATE	1
270	DETERGENT BOX GROUP	1
275	DETERGENT BOX GROUP/HOSE	1
280	DETERGENT BOX GROUP/FULL	1


POSICION	CODIGO	DESCRIPCION	FOTO1	FOTO2
280	42076595	DEPOSITO JABONERA+VALVULA+TUBOS DE ENTRADA		
209	30023393	VALVULA ENTADA AGUA		

**5. PRESSURE SWITCH HOSE GROUP**

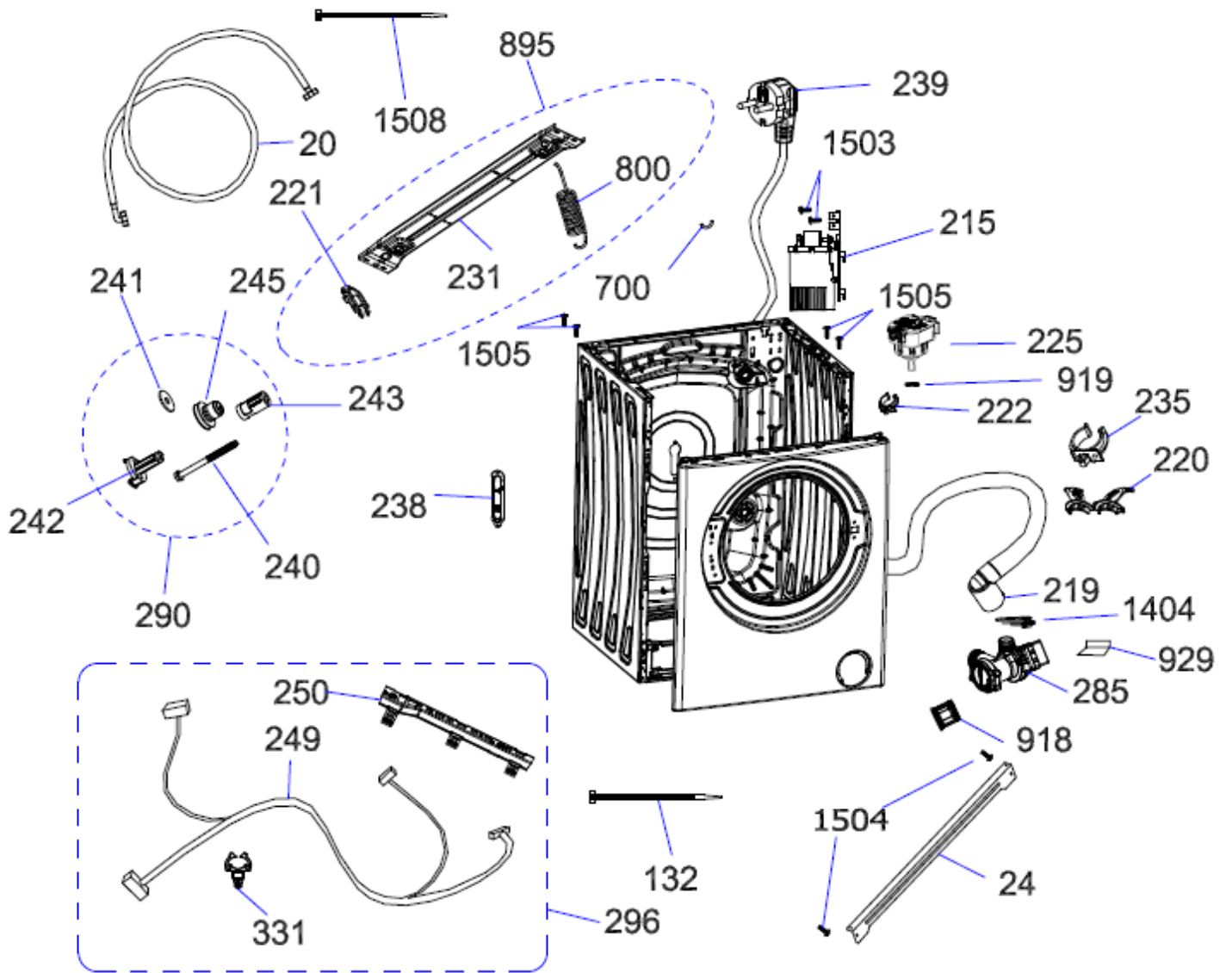


NO	PART NAME	QUANTITY
213	TUB EXIT WITH BELLOW HOSE	1
212	PRESSURE SWITCH WATER RESERVOIR	1
211	PRESSURE SWITCH HOSE	1
234	HOSE CLAMP Ø32,7	1
244	HOSE CLAMP Ø9,6	1
295	PRESSURE SWITCH HOSE GROUP	1

213-212-211-234-244----- PRESSURE SWITCH HOSE GROUP

POSICION	CODIGO	DESCRIPCION	FOTO1	FOTO2
295	42079698	TUBO DE CUBA A BOMBA + CAMARA PRESOSTATO Y TUBO		

**6. BODY GROUP PARTS**

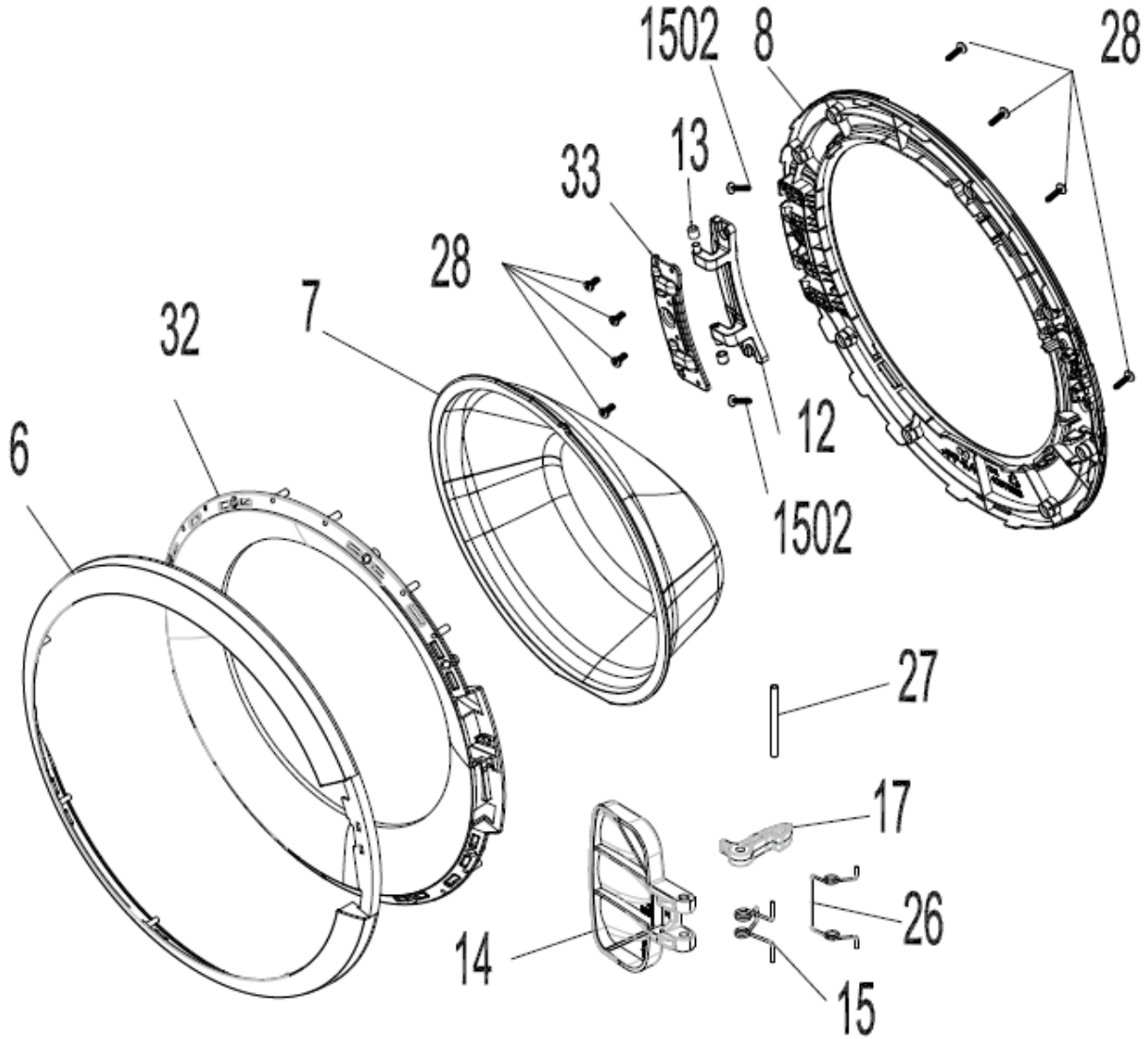


REF. NO	PART NAME	QTY
20	WATER ENTRY HOSE GROUP	1
24	UPPER SUPPORT BRACKET	1
285	PUMP GROUP	1
220	DRAIN HOSE ROUTER PLASTIC	1
219	DRAIN HOSE	1
225	ELECTRONIC PRESSURE SENSOR	1
215	EMI FILTER	1
296	CABLE GR	1
249	CABLE HARNESS	1
250	CABLE HARNESS HOLDER PLS	1
331	LOCKING WIRE SADDLE (BLUE)	1
895	SPRONG HANGER BRACKET GROUP	1
800	TUB SPRING	2
231	SPRING HANGER BRACKET	1
221	HANGER SPRING BRACKET PLS.	2
700	TUB HANGER SPRING PART (PLASTIC HOUSING PART BETWEEN TUB AND SPRING HOOK)	2
235	DRAIN HOSE HOLDING PLS	4
239	POWER CORD GROUP	1
222	PRESSURE SWITCH MOUNTING CLIP	1
238	SPEED CONTROL HOLE STOPPER	1
290	TRANSPORT SCREW GROUP-II	4
242	TRANSPORT SCREW PLASTIC-A-II	4
243	TRANSPORT SCREW PLASTIC-B-II	4
240	TRANSPORT SCREW	4
245	TRANSPORT SCREW EPDM	4
241	PLAIN WASHER 8,30X29X2	4
132	CABLE TIE(YKB150)	7
918	PUMP FILTER	1
919	HOSE CLAMP Ø8,6	1
1404	HOSE CLAMP.Ø35,0	1
1503	ST 4,2X9,5 PAN HEAD W.COL.T.UNDER.SER.EA	2
1504	ISO 7049 ST 4,2X13 TORX	4
1505	ST 4,2X9,5 TRTSB	4

POSICION	CODIGO	DESCRIPCION	FOTO1	FOTO2
225	32025730	PRESOSTATO		
285	32021398	BOMBA+ CUERPO FILTRO + FILTRO		
800	37022658	MUELLE CUBA		



**7. DOOR GROUP**



NO	PART NAME	QUANTITY
6	PORTHOLE OUTER PLASTIC	1
7	DOOR GLASS	1
8	PORTHOLE INNEER PLASTIC	1
12	SHEET METAL HINGE GROUP	1
13	HINGE PLASTIC	2
14	DOOR HANDLE	1
15	HOOK SPRING	1
16	HANDLE SPRING	1
17	HOOK	1
26	HANDLE SPRING	1
27	DOOR HANDLE PIM	2
28	SCREW 3.5X16PAN.HE.WITH COL.CR.RE.UN.HE	8
*32	PORTHOLE INNER FRAME	1
50	PORTHOLE GROUP (1502 excluded)	1
1502	SCREW M5X8 TSB (this part is not include in porthole group )	2

\* 32 “This spare part is optional and depends on agreed specifications. Therefore you may not find this position number in product’s spare part list.”

POSICION	CODIGO	DESCRIPCION	FOTO1	FOTO2
	421164	PUERTA COMPLETA		
27	35007434	PASADOR MANETA		
15	35007443	MUELLE MANETA		
17	37008931	GANCHO PUERTA		
14	42116450	MANETA		
7	47003030	CRISTAL PUERTA		

**ACCESSORIES**



995

996

997

998

NO	PART NAME	QUANTITY
995	ENERGY LABEL	1
996	LIQUID DETERGENT LEVEL PLATE	1
997	DRAIN HOSE COAT RACK	1
998	TRANSPORT SCREW STOPPER	4