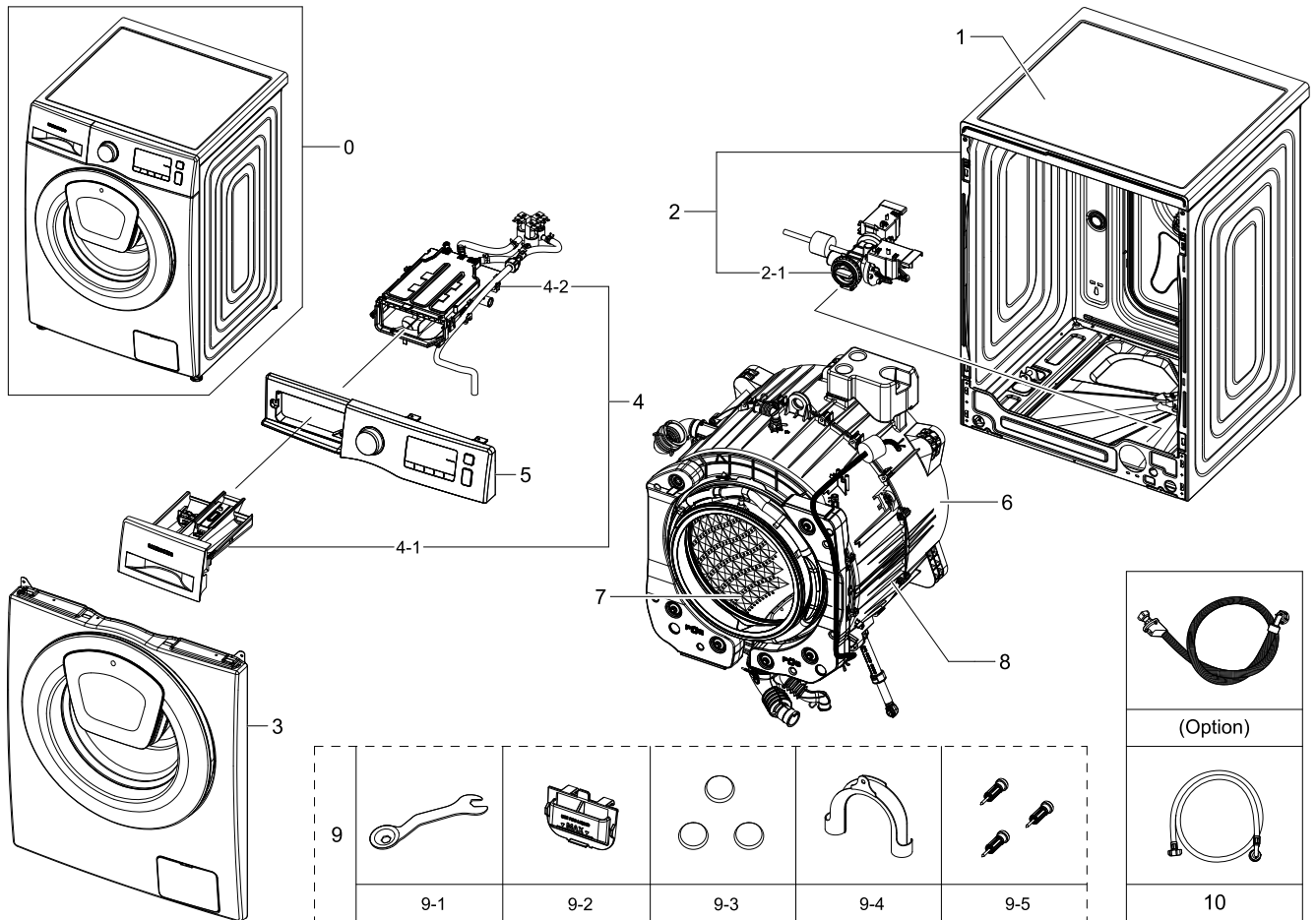


1. Main

Exploded View



Parts List

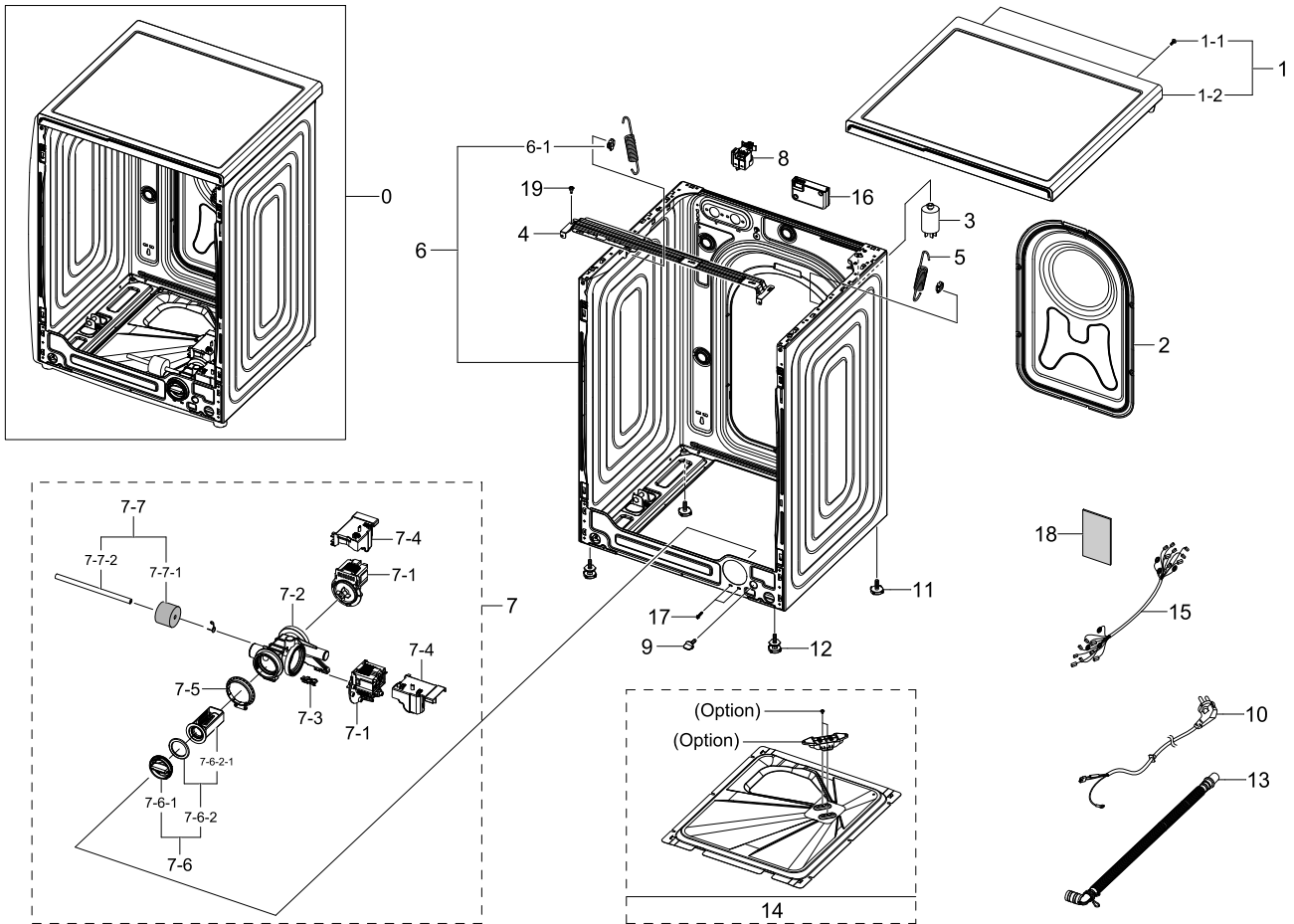
No.	Lvl.	Loc.	Material Code	Description & Specification	SNA	Qty.
1	1	W0183	DC90-22244A	ASSY COVER TOP; WW3000,BUBBLE	SNA	1
2	1	W0506	DC90-22695A	ASSY FRAME; WW6500K,WW80K6410QW/EU	SNA	1
2-1	2	W0194	DC97-17336A	ASSY PUMP DRAIN; F500E,WF80F5E5U4W/EF,AL-	SA	1
3	1		DC90-21752A	ASSY FRONT; WW6500K,WW80K6410QW/EU	SNA	1
4	1	W0216	DC90-22104A	ASSY DRAWER; WW6500K	SNA	1
4-1	2	W0216	DC97-17310A	ASSY DRAWER; F500E,WF90F5E5U4W	SA	1
4-2	2	W0163	DC97-19387A	ASSY HOUSING DRAWER; WW6500K	SNA	1
5	1	W0478	DC90-21922A	ASSY PANEL CONTROL; WW80K6414QW/EC	SNA	1
6	1	W0501	DC90-17262A	ASSY TUB BACK; DIM, NO CERAMIC	SNA	1
7	1	W0165	DC90-12363A	ASSY DRUM; F500E,WF80F5E5U4W/EF	SNA	1
8	1	G0048	DC90-18412A	ASSY TUB FRONT; WW6000J	SNA	1
9	1	W0718	DC90-12364A	ASSY ACCESSORY; F500E,WF80F5E5U4W/EF	SNA	1
9-1	2	WJ5077	DC60-40146A	BOLT SPANER; CR,T2.5	SA	1

Exploded Views and Parts List

No.	Lvl.	Loc.	Material Code	Description & Specification	SNA	Qty.
9-2	2		DC61-03510A	GUIDE LIQUID; WF-F500E,PP,MT43,Honesty Bl	SA	1
9-3	2	W0614	DC67-00307A	CAP-FIXER; WF438AAC/XAA,PP,T1.5,RECYCLE,B	SC	3
9-4	2	W0626	DC67-00357A	HOSE-HANGER; SEM,PP,ID24.13,-,T2.0,-,GRY,	SNA	1
9-5	2	W0603	DC97-14653C	ASSY FIXER TUB; SCOUT,WF0804Y8E/XEF	SA	3
10	2	W0757	DC97-17845A	ASSY HOSE WATER; COLD,ALL MODEL	SA	1

2. Assy Frame&Cover Parts

Exploded View



Parts List

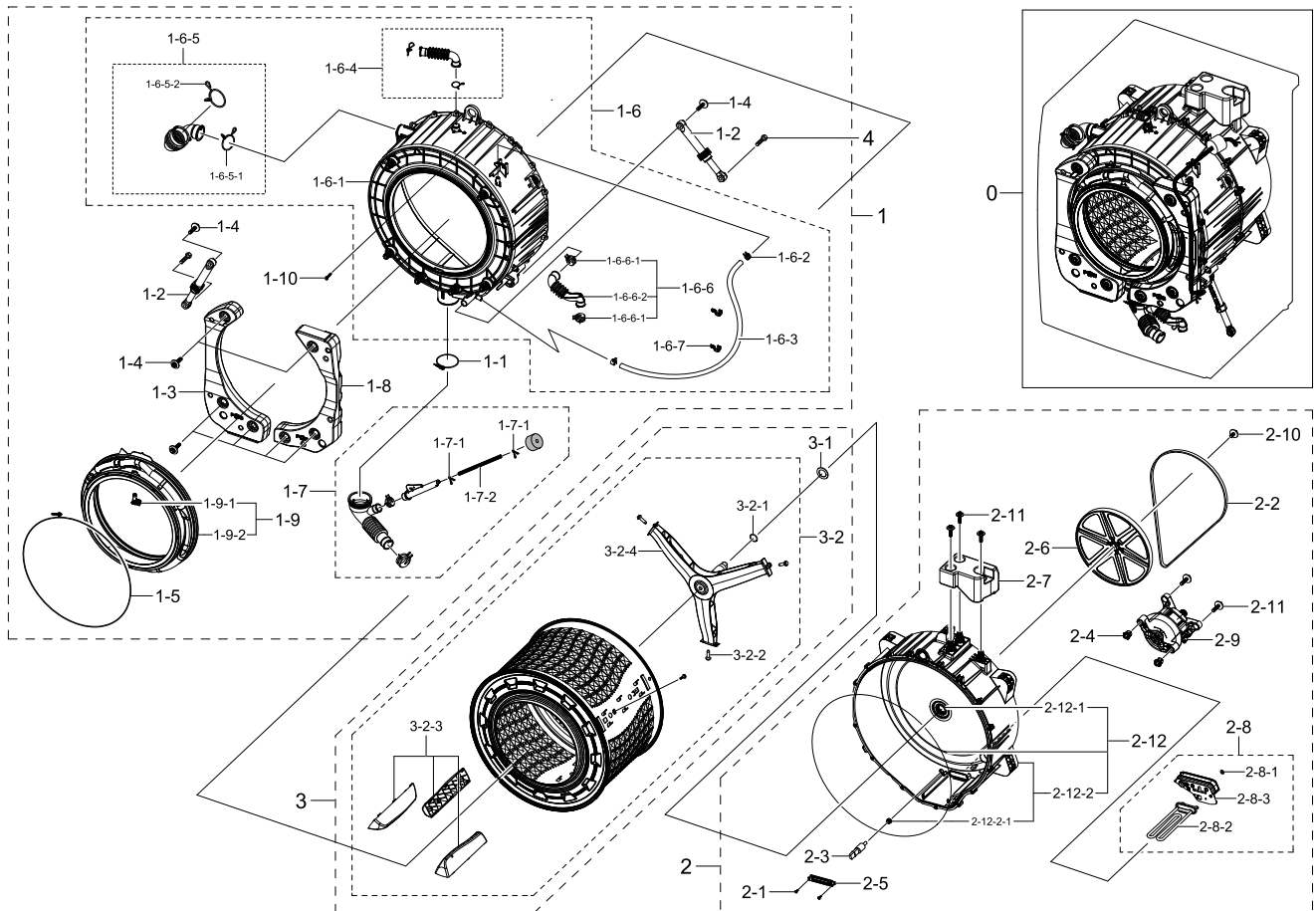
No.	Lvl.	Loc.	Material Code	Description & Specification	SNA	Qty.
1	1	W0183	DC90-22244A	ASSY COVER TOP; WW3000,BUBBLE	SNA	1
1-1	2	G0425	6009-001476	SCREW-HEX; HEX,+,M5,L10,Ni-Zn(WHT),SWRCH1	SA	2
1-2	2	W0183	DC97-17254E	ASSY COVER TOP; WW3000, 7kg	SA	1
2	2		DC63-01034C	COVER BACK; GI-SGCC,T0.25, embo	SA	1
3	2	W0620	DC29-00015G	FILTER EMI; LFT-215G,300Khz,VDE, KS,6.5mH	SA	1
4	2	W0248	DC61-03467A	FRAME PLATE-UP; WF-F500E,GI-SGCC,-,-,T1.0	SNA	1
5	2	W0630	DC61-02146B	SPRING ETC-HANGER; F500E PJT,HSWR,CD3.5,O	SA	2
6	2	W0506	DC97-17325E	ASSY FRAME; F500E,DA WHITE,COLD,UNI	SA	1
6-1	3	WI0266	DC61-02065A	GUIDE SPRING; WF448AAG/XXA,POM,T4,W24,L36	SA	2
7	2	W0194	DC97-17336A	ASSY PUMP DRAIN; F500E,WF80F5E5U4W/EF,AL-	SA	1

Exploded Views and Parts List

No.	Lvl.	Loc.	Material Code	Description & Specification	SNA	Qty.
7-1	3	M0022	DC31-00030H	PUMP-DRAIN; 220V-240V,50Hz,30W,18L/min	SA	2
7-2	3	W0479	DC61-02271B	CASE PUMP; WF0804Y8E/XEF,PP,T2.5,W153.6,L	SA	1
7-3	3	WO0031	DC63-00905A	CUSHION PUMP; WF8802DPF/XET,NBR,-,W37.6,L	SA	1
7-4	3	W0213	DC63-01549A	COVER PUMP; F500,PP,VO GRADE,NATURAL,FH44	SA	2
7-5	3		DC69-01128A	PACKING-PUMP; WF8804DP,IIR,BUTYL,T2.5,HEB	SA	1
7-6	3	G0050	DC97-15695A	ASSY FILTER; GRIFFIN-PJT,WF9804RWE,PP+EPD	SA	1
7-6-1	4	WI0357	DC64-01317A	HANDLE FILTER; PP,FC2210,NTR/BLACK	SA	1
7-6-2	4		DC97-19203A	ASSY SEMI FILTER; F500/400, WW6000/3000,B	SNA	1
7-6-2-1	5	W0633	DC63-00998A	FILTER PUMP; SCOUT-PJT,PP,-,NEAT WHITE,BU	SA	1
7-7	3	M0041	DC97-19088A	ASSY HOSE DRAIN; F500E,WF80F5E5U4W,Black	SNA	1
7-7-1	4	W0743	DC63-10003C	SPONGE-HOSE AIR; SWF-P12,PUR FOAM,GRY	SA	1
7-7-2	4	U2015	DC67-00244C	HOSE DRAIN; WF0804Y8E,EPDM,ID6,OD11,T2.5,	SA	1
8	2	H2050	DC96-01703G	SENSOR PRESSURE; Air,5,-,400mmH20,-	SA	1
9	2	WI0107	DC61-10673A	CAP DRAIN; -,PP,-,-,-,-,CNTK-P-101,-,-,	SA	1
10	2	W0467	DC96-00146H	CBF-POWER CORD; AT,EUROPE,EU3F,Gray,1500,	SA	1
11	2	W0606	DC97-00920U	ASSY LEG; F500E,WF80F5E5U4W/EF,H33.5,P1.5	SA	2
12	2	W0606	DC97-14293E	ASSY LEG; GE-PJT,WCVH4800KWW	SA	2
13	2	W0604	DC97-16240F	ASSY HOSE DRAIN(O); F500E,WF80F5E5U4W	SA	1
14	2	W0462	DC61-03478A	COVER-BOTTOM; WF-F500E,GI-SGCC,T0.4,W408,	SNA	1
15	2		DC93-00618A	ASSY WIRE HARNESS-MAIN; DRUM-M,N,2PUMP,N,	SA	1
16	2		DC92-01888A	ASSY KIT; FWM_INV,WW8500K, 7500K, 6500K,A	SA	1
17	2	M0030	DC97-14006A	ASSY SCREW; WF203,-,SCREW-TAPPING,-,M4/L1	SA	2
18	2	W0663	DC63-10008B	SPONGE HARNESS; F500E,PE FOAM,T10,W50,L10	SNA	1
19	2	W0102	6009-001240	SCREW-SPECIAL; TH,+,M5,L13.5,ZPC(WHT),SWR	SA	2

3. Assy Tub&Drum

Exploded View



Parts List

No.	Lvl.	Loc.	Material Code	Description & Specification	SNA	Qty.
1	1	G0048	DC90-18412A	ASSY TUB FRONT; WW6000J	SNA	1
1-1	2	W0744	DC65-00021A	CLAMPER HOSE-JOINT; HEBA PJT,HSWR-SWRH,ID	SA	1
1-2	2	W0618	DC66-00531C	DAMPER SHOCK; HEBA,PP,WHITE,80 20N,LONG	SA	2
1-3	2	W0233	DC67-00682A	WEIGHT BALANCER-LEFT; F500,CONCRETE,NATUR	SA	1
1-4	2	W0601	DC97-14263A	ASSY BOLT; MOTOR/BOLT(M8)+WASHER(OD27.5),	SA	8
1-5	2	M0038	DC97-14618A	ASSY CLAMP DIAPHRAGM; WF8804DP,OD2.0/L124	SA	1
1-6	2	W0636	DC97-17327A	ASSY SEMI TUB FRONT; F500E,WF80F5E5U4W/EF	SNA	1
1-6-1	3	W0632	DC61-03453A	TUB FRONT; F500,FRPP,OD 546.1,NTR,BUBBLE	SA	1

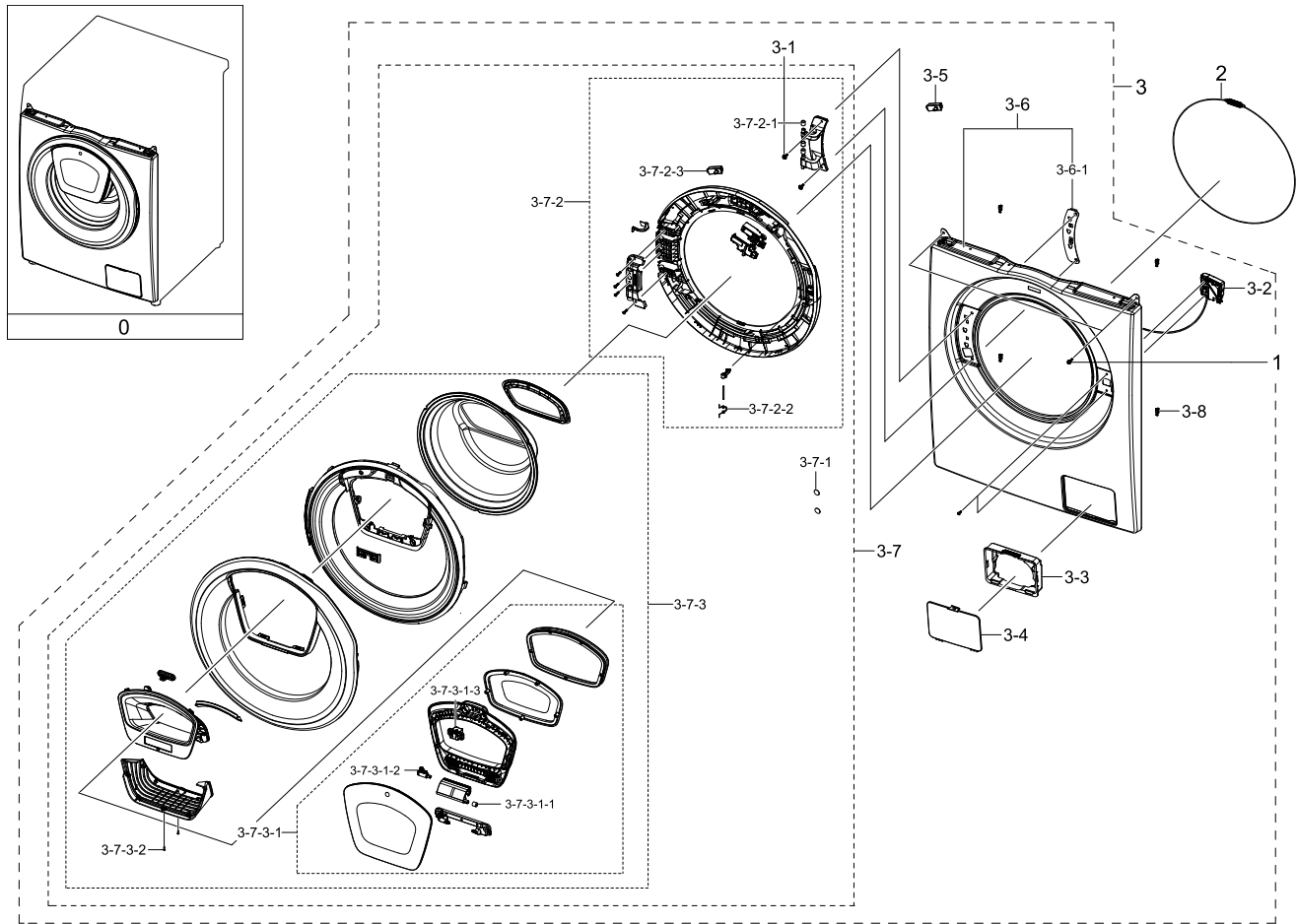
Exploded Views and Parts List

No.	Lvl.	Loc.	Material Code	Description & Specification	SNA	Qty.
1-6-2	3	W0615	DC65-00008A	CLAMPER HOSE; SEW-DR605,SK5,-,ID14.2/T0.9	SA	4
1-6-3	3	G0052	DC67-00471E	HOSE CIRCULATION; F500E,EPDM,ID9.0,BLK	SA	1
1-6-4	3	G0422	DC97-14873C	ASSY HOSE AIR; F500,WF80F5E5U4W	SA	1
1-6-5	3	G0043	DC97-14874F	ASSY HOSE DRAWER; F500E,ALL	SA	1
1-6-5-1	4		DC61-04117A	CLIP RING; HSWR,T3.0	SA	1
1-6-5-2	4	WJ0027	DC72-00001G	CLIP RING; HEBA-PJT,HSWR-SWRH,T3.0,ID49.5	SA	1
1-6-6	3		DC97-17339A	ASSY HOSE AIR-TUB; F500E,WF80F5E5U4W/EF,B	SA	1
1-6-6-1	4	W0615	DC61-00158A	CLAMPER HOSE; SW65ASP,SK5,ID23,T0.8,-	SA	2
1-6-6-2	4	G0053	DC67-00671A	HOSE AIR TUB; F500,EPDM,19.3,29,T2.5,50,B	SA	1
1-6-7	3	G0415	DC61-02646A	GUIDE HOSE; WF0804Y8E,PP,T2.0,W9.8,L36.6,	SA	2
1-7	2	W0605	DC97-17330A	ASSY HOSE PRESSURE; F500E,WF80F5E5U4W/EF	SA	1
1-7-1	3	WP0165	DC61-70029C	CLIP RING; SEW-HW125,HSWR,WHITE	SA	2
1-7-2	3	W0725	DC67-00230E	HOSE WATER; WD8704,TPE,ID4.5	SA	1
1-8	2		DC97-18522A	ASSY WEIGHT BALANCER-RIGHT; WW6,5,4,3000J	SA	1
1-9	2	M0045	DC97-18852A	ASSY DIAPHRAGM; WW6000J,WW90J6410CW/EF	SNA	1
1-9-1	3		DC62-00349A	NOZZLE DIAPHRAGM; WF457ARGSGR,PP,OD11,GRA	SA	1
1-9-2	3		DC64-03197A	DOOR DIAPHRAGM; WW6,5,4,3000J,TPE,-,-,-	SA	1
1-10	2	G0049	6009-001367	BOLT-HEX; M6.5,L32,ZPC(WHT),SWRCH18A,HWH	SA	15
2	1	W0501	DC90-17262A	ASSY TUB BACK; DIM, NO CERAMIC	SNA	1
2-1	2	W0105	6002-000473	SCREW-TAPPING; TH,+,NO,1,M4,L14,PASS,STS3	SA	2
2-2	2	W0209	6602-001497	BELT-TIMING GEAR; RUBBER(GATES),T3.2,1270	SA	1
2-3	2	M0487	DC32-00010C	THERMISTOR; WASHER,-10~100,5,5,3.243k	SA	1
2-4	2	WS0064	DC61-02549A	BUSH MOTOR; HEBA BIGBANG,PA66+GF15%,NATUR	SA	2
2-5	2	W0230	DC61-02874A	BRACKET HEATER; WD0704CQR,STAINLESS-STS43	SA	1
2-6	2	W0434	DC66-00767A	PULLEY MOTOR; F500,PA66,-,AF216V60(PA66+G	SA	1
2-7	2	W0231	DC67-00670A	WEIGHT BALANCER-UP; F500,CONCRETE,-,4.0KG	SA	1
2-8	2	G0420	DC93-00355A	ASSY HEATER; SEPM,230V,2000W,NTR	SNA	1
2-8-1	3	W0110	6031-001531	WASHER-PLAIN; SCP1,ID7,OD14,T1.2,ZPC2,ACE	SA	1

No.	Lvl.	Loc.	Material Code	Description & Specification	SNA	Qty.
2-8-2	3	W0237	DC47-00033B	HEATER WASH; AC230V,2000W,SUS316L,728mm,N	SA	1
2-8-3	3	W0235	DC63-01553A	COVER HEATER; F500 PJT,ABS+PC,W77,L168.1,	SA	1
2-9	2		DC93-00586A	ASSY MOTOR BLDC; F3 35mm Press Housng Ty	SNA	1
2-10	2	W0601	DC97-06080C	ASSY BOLT; BOLT+WASHER(OD38),,,,,,	SA	1
2-11	2	W0601	DC97-14263A	ASSY BOLT; MOTOR/BOLT(M8)+WASHER(OD27.5),	SA	8
2-12	2	W0501	DC97-17334A	ASSY TUB BACK; F500E,WF80F5E5U4W/EF,8.0kg	SA	1
2-12-1	3	WS0119	DC62-00008A	SEAL OIL; NBR,BLACK,-,NBU	SA	1
2-12-2	3	G0029	DC97-17329A	ASSY SEMI TUB BACK; F500E,WF80F5E5U4W/EF,	SNA	1
2-12-2-1	4	M0028	DC69-00824A	PACKING-THERMISTOR; GW-PJT,EPDM,-,-,W17,H	SA	1
3	1	W0165	DC90-12363A	ASSY DRUM; F500E,WF80F5E5U4W/EF	SNA	1
3-1	2	WS0131	DC60-00069A	SPACER; WR-HA139WA,STS304,ID30.2,SILVER,T	SA	1
3-2	2	W0165	DC97-17231A	ASSY DRUM; F500 PJT	SA	1
3-2-1	3		6044-002157	RING-OG; ID28,OD32.2,T2.1,BLK,NBR	SA	1
3-2-2	3	WJ5081	DC60-40137A	BOLT HEX; MARS-PJT,STS430,M8,P1.25,L30,HE	SA	3
3-2-3	3	W0619	DC66-00759A	DRUM LIFTER; F500 PJT,PP,W52,H45.8,L246,-	SA	3
3-2-4	3	W0164	DC97-17234A	ASSY FLANGE SHAFT; F500 PJT	SA	1
4	2	G0049	DC60-40144A	BOLT HEX; SM10C,L35,ZPC2(YEL),M10,ZPC2(YE	SA	2

4. Assy Front

Exploded View



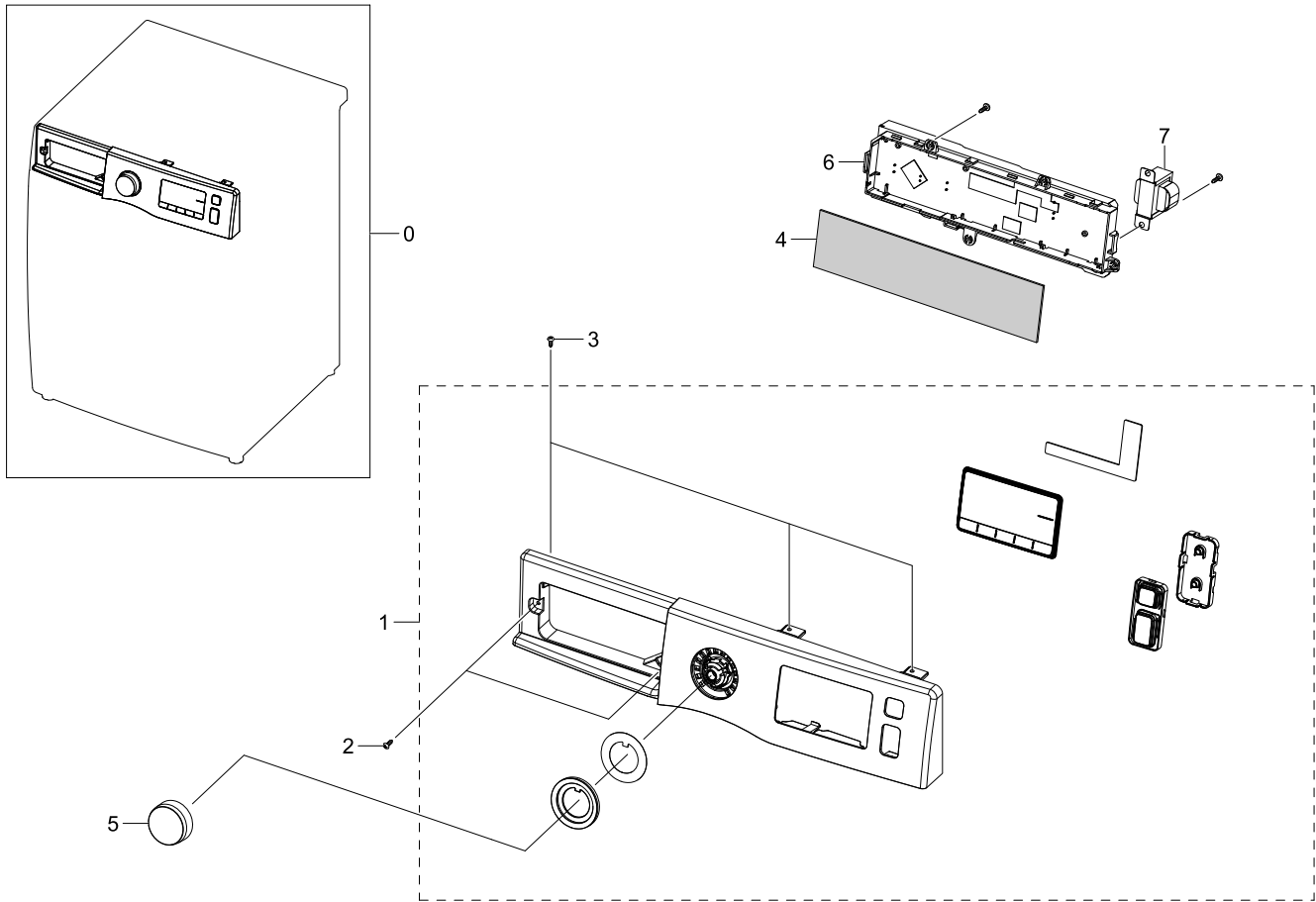
Parts List

No.	Lvl.	Loc.	Material Code	Description & Specification	SNA	Qty.
0	1		DC90-21752A	ASSY FRONT; WW6500K,WW80K6410QW/EU	SNA	1
1	2	W0105	6002-001438	SCREW-TAPPING; HWH,+ ,NO,1,M5,L12,ZPC(WHT)	SA	2
2	2	W0608	DC91-12078D	ASSY WIRE DIAPHRAGM; HEBA-PJT,-,-,-,-,-	SA	1
3	2	W0253	DC97-19350A	ASSY FRAME FRONT; WW6500K,DA WHITE, (Door	SNA	1
3-1	3	G0425	6009-001522	SCREW-HEX; HWH,+ ,M5,L16,PASS,STS430,FP,SE	SA	2
3-2	3		DC34-00026A	SWITCH DOOR LOCK; AC250V,16,SOLNOID, DOOR	SA	1
3-3	3	WI0248	DC61-01917A	GUIDE FILTER; WF8804DP,HIPS,T2.5,HB,HG-17	SA	1
3-4	3	W0516	DC63-00920A	COVER-FILTER; WF8500NHW,ABS,T2.5,-,-,DA WHI	SA	1

No.	Lvl.	Loc.	Material Code	Description & Specification	SNA	Qty.
3-5	3		DC64-00828G	SWITCH DOOR; AC125/250V,1.5/0.75,1BUTTON,	SA	1
3-6	3		DC97-19351A	ASSY FRAME FRONT-SEMI; WW6500K,DA WHITE	SA	1
3-6-1	4	W0226	DC61-02584A	BRACKET HINGE; GI-SGCC,T1.4,-	SA	1
3-7	3	W0459	DC97-19353A	ASSY DOOR; WW6500K,ASSY COVER DOOR(GENTLE	SA	1
3-7-1	4		DC64-03166A	INLAY-HOLDER GLASS; WD9000HK,PET,T0.25,DA	SA	2
3-7-2	4	W0454	DC97-19354A	ASSY HOLDER GLASS; WW6500K,VERSAILLES GRA	SNA	1
3-7-2-1	5	WD0090	DC61-00891A	GUIDE HINGE; HAUZEN(DOM),POM,NTR(WHT),HIN	SA	3
3-7-2-2	5	WD0130	DC61-02027A	SPRING ETC LEVER; STS304,CD1.2,L10.6	SA	1
3-7-2-3	5		DC64-00828G	SWITCH DOOR; AC125/250V,1.5/0.75,1BUTTON,	SA	1
3-7-3	4	W0457	DC97-19355A	ASSY COVER DOOR; WW6500K,COVER DOOR (GENT	SNA	1
3-7-3-1	5	W0459	DC97-19352A	ASSY DOOR; WW6500K,2nd,COVER DOOR(Gentle	SNA	1
3-7-3-1-1	6	WD0090	DC61-00891A	GUIDE HINGE; HAUZEN(DOM),POM,NTR(WHT),HIN	SA	1
3-7-3-1-2	6		DC66-00878A	DAMPER SHOCK-AXIS; WD9500JK,POM,NATURAL	SA	1
3-7-3-1-3	6		DC97-19401A	ASSY LATCH; WW8500K	SA	1
3-7-3-2	5	G0425	6009-001522	SCREW-HEX; HWH,+,M5,L16,PASS,STS430,FP,SE	SA	2
3-8	3		DC61-02577B	GUIDE FRAME FRONT; WF1802XEC,POM,L19.4,NT	SA	4

5. Assy Panel Control

Exploded View

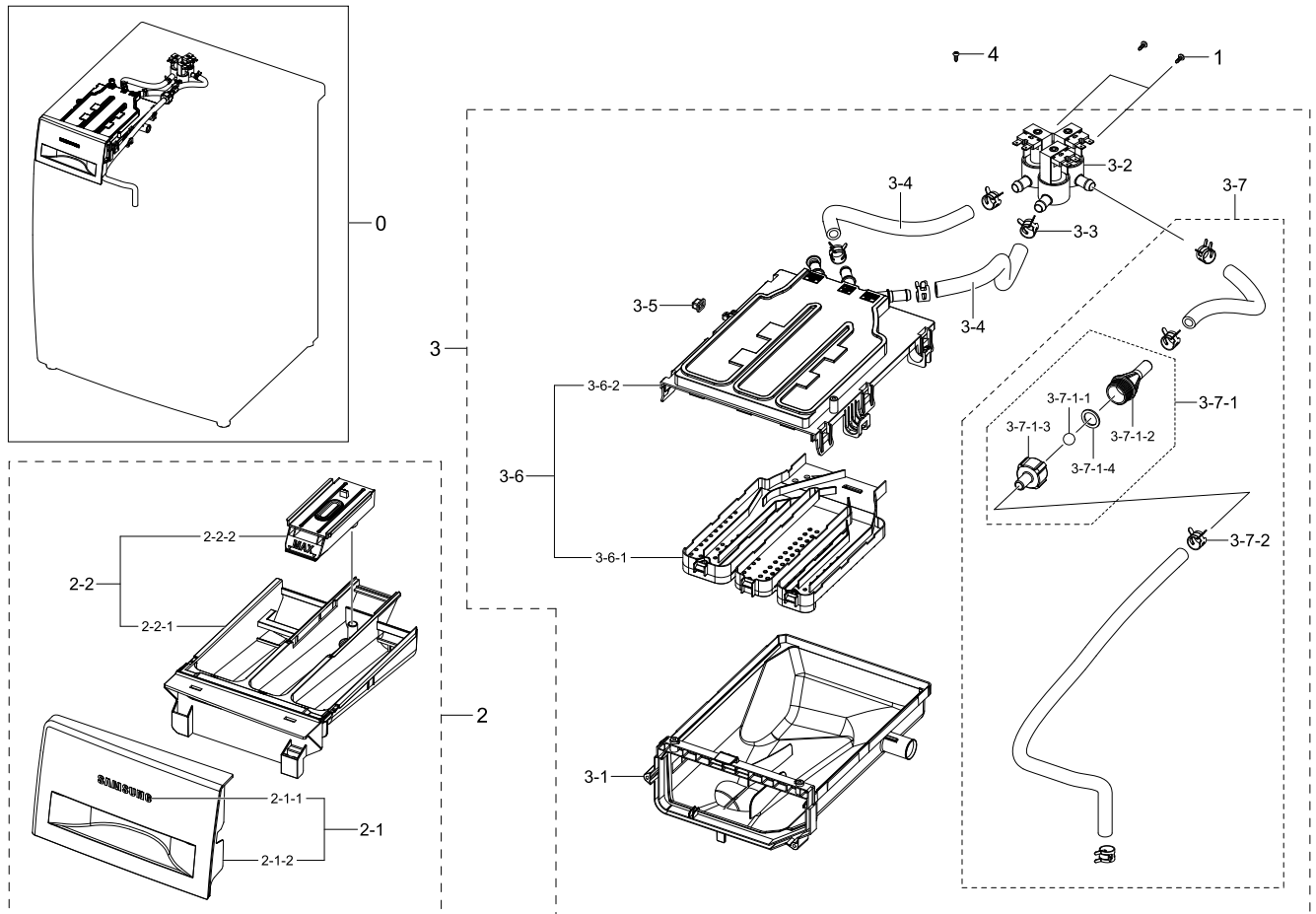


Parts List

No.	Lvl.	Loc.	Material Code	Description & Specification	SNA	Qty.
0	1	W0478	DC90-21922A	ASSY PANEL CONTROL; WW80K6414QW/EC	SNA	1
1	2	W0478	DC97-19370J	ASSY PANEL CONTROL; WW6500K,WW80K6414QW/E	SA	1
2	2	W0105	6002-000445	SCREW-TAPPING; TH,+,NO,2S,M4,L18,PASS,STS	SNA	2
3	2	WX0441	6002-000520	SCREW-TAPPING; TH,+,-,2,M4,L12,ZPC(WHT),S	SNA	1
4	2		DC63-01829B	SHEET PCB; WW3000~6000,PC,T0.2,HB,3022R,B	SNA	1
5	2		DC64-03312B	KNOB ENCODER; F500E,ABS,EBONY BLACK,BK001	SA	1
6	2		DC94-06480A	ASSY PCB EEPROM; 040C,WW6500K,SEPM, F500,	SA	1
7	2		DC27-00012A	COIL HARMONIC; 4.5mH,40*69*39,3A	SA	1

6. Assy Drawer

Exploded View



Parts List

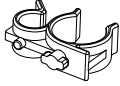



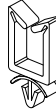





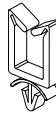

No.	Lvl.	Loc.	Material Code	Description & Specification	SNA	Qty.
0	1	W0216	DC90-22104A	ASSY DRAWER; WW6500K	SNA	1
1	2	F0056	6003-001768	SCREW-TAPTYPE; TH,+,WT,S,M4,L10,ZPC(WHT),	SNA	2
2	2	W0216	DC97-17310A	ASSY DRAWER; F500E,WF90F5E5U4W	SA	1
2-1	3	W0158	DC97-19193A	ASSY PANEL DRAWER; F500E,DIM	SA	1
2-1-1	4	M0196	DA64-03804A	MASCOT; ALL,NICKEL,T0.05,L65	SA	1
2-1-2	4		DC64-02858G	PANEL DRAWER; WF90F5E5U4W,ABS,-,HG-0760GP	SA	1
2-2	3	W0216	DC97-19194A	ASSY DRAWER; F500E,Body Drawer+Cap Rinse	SNA	1
2-2-1	4	W0156	DC61-03480A	BODY DRAWER; WF-F500E,PP,DA WHITE,WT0035,	SA	1
2-2-2	4	W0215	DC67-00452A	CAP RINSE; WF-F500E,PP,-,-,MT43,Honesty B	SA	1
3	2	W0163	DC97-19387A	ASSY HOUSING DRAWER; WW6500K	SNA	1
3-1	3	W0372	DC61-03473A	HOUSING DRAWER-LOW; WF-F500E,PP,-,WHITE,-	SA	1

Exploded Views and Parts List

No.	Lvl.	Loc.	Material Code	Description & Specification	SNA	Qty.
3-2	3		DC62-00233D	VALVE WATER; 220-240,BLU,10,D-3	SNA	1
3-3	3	W0615	DC65-00008A	CLAMPER HOSE; SEW-DR605,SK5,-,ID14.2/T0.9	SA	4
3-4	3	W0151	DC67-00051T	HOSE DRAWER; F500E,EPDM,ID9.0,OD14.5,L230	SA	2
3-5	3		DC67-00327A	CAP DRAWER HOOK; HEBA-PJT,EPDM,T1.1,W13.9	SA	1
3-6	3	W0497	DC97-17347A	ASSY S.HOUSING DRAWER; F500E,WF80F5E5U4W	SA	1
3-6-1	4	W0371	DC61-03474A	HOUSING DRAWER-MIDDLE; WF-F500E,PP,-,NATU	SNA	1
3-6-2	4	W0370	DC61-03475A	HOUSING DRAWER-UP; WF-F500E,PP,-,NATURAL,	SNA	1
3-7	3		DC97-18851A	ASSY HOSE CONNECTOR; WW6000J,WW90J6410CW/	SNA	1
3-7-1	4		DC93-00306A	ASSY S.NOZZLE CONNECTOR; WD0804,SCOUT COM	SNA	1
3-7-1-1	5		DC62-00167A	NOZZLE BALL; Q1636GW,SILICON,-,-,-,-,TS	SA	1
3-7-1-2	5	M0031	DC62-00182A	NOZZLE CONNECTOR-UP; POM,NATURAL,TS-2 PJT	SA	1
3-7-1-3	5	M0032	DC62-00183A	NOZZLE CONNECTOR-LOW; POM,NATURAL	SA	1
3-7-1-4	5	M0029	DC69-00640A	PACKING-FILTER; DRUM W/M,CB,SILICON,T2.5,	SNA	1
3-7-2	4	W0615	DC65-00008A	CLAMPER HOSE; SEW-DR605,SK5,-,ID14.2/T0.9	SA	4
4	2	WX0441	6002-000520	SCREW-TAPPING; TH,+,-,2,M4,L12,ZPC(WHT),S	SNA	1

7. Small Parts

Exploded View

					
1	2	3	4	5	6
					
7	8	9	10	11	12

Parts List

No.	Lvl.	Loc.	Material Code	Description & Specification	SNA	Qty.
1	2	W0616	DC61-00133A	CLAMPER HOSE-FIX; P1291,PP,-,HOSE+PLUG,BJ	SA	1
2	2	W0616	DC61-00118A	CLAMP-CABLE; P1291,PA66,NATURAL,NC0001	SA	1
3	2	WI0293	DC61-40081A	HOLDER WIRE; DAWH-2NC,PA66,-,NATURAL,-	SA	3
4	2	W0623	DC61-40083A	HOLDER WIRE; DAWH-3ND,PA66,NTR(PI24.4)/NY	SA	4
5	2	M0001	DC61-00553B	CABLE CLAMP; DAWS-3NE,PA66,NTR	SA	3
6	3	W0615	DC61-00219C	CLAMPER HOSE; -,SK5,WLSL1100A,ID35,-,ZPC2	SA	1
7	2		DC65-20010A	CABLE CLAMP; DA-9N-1,NYLON66,NTR	SNA	1
8	2		6502-000127	CABLE CLAMP; DAWH-18NB,PA66,NTR	SA	1
9	2	WI0293	DC61-00995C	HOLDER WIRE; HEBA-PJT,PA,-,NATURAL,-,2110	SA	1
10	2	G0040	DC66-10003B	WIRE VINYL; SEW-100JL,PVC,,,,,,,,,T2.0*L1	SA	2
11	4	M0001	DC61-00553B	CABLE CLAMP; DAWS-3NE,PA66,NTR	SA	1
12	4	WI0293	DC61-60074A	HOLDER WIRE; DAWH-2NC,PA66,-,NATURAL,-	SA	1