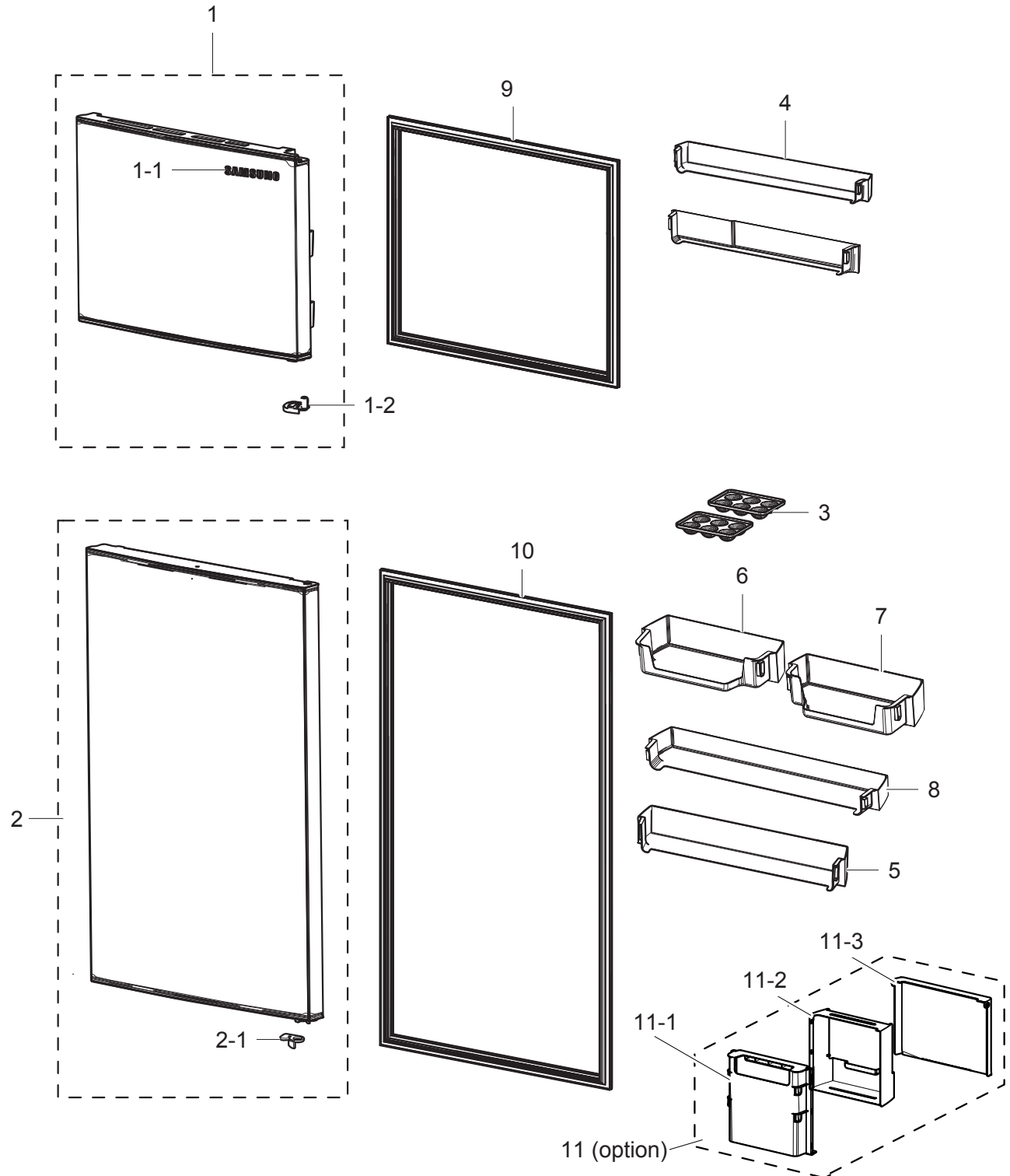


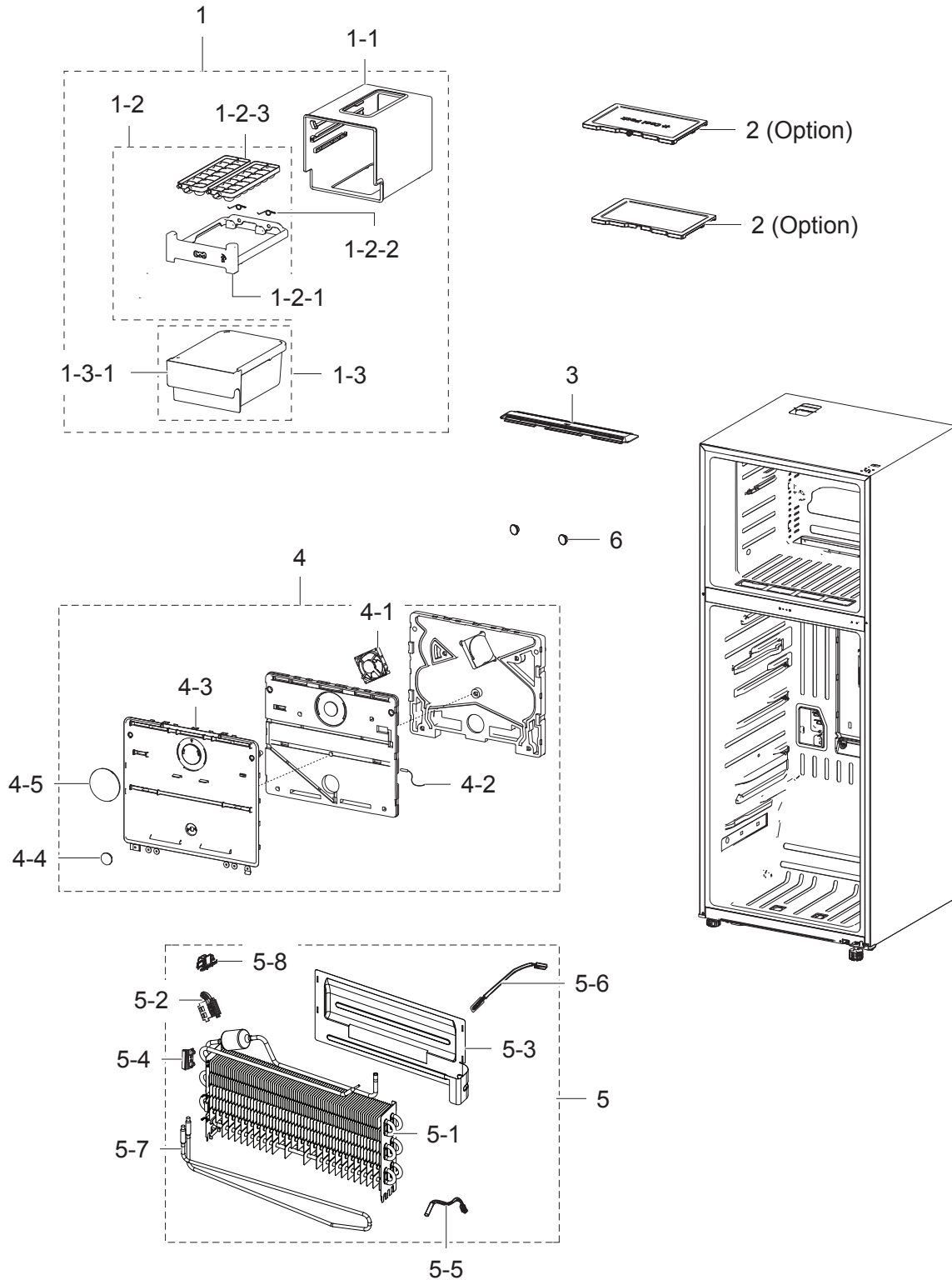
Door compartment



PART LIST OF DOOR : RT29K5030WW/ES

No.	Code No.	Lvl.	Loc.	Description	Specification	Qty	SA/SNA
1	DA91-03959R	2	A0051	ASSY DOOR FOAM FRE	290,WW,RECESS	1	SA
1-1	DA64-04020A	3	M0196	MASCOT	ALL,Ni,TO.06,L80	1	SA
1-2	DA66-01008A	4	-	LEVER-AUTO CLOSE FRE	3050PJ,POM,K-300,NT	1	SA
2	DA91-03958R	2	A0052	ASSY DOOR FOAM REF	3050 DOOR REF,290,WW,	1	SA
2-1	DA66-01009A	4	-	LEVER-AUTO CLOSE REF	3050PJ,POM,NATURAL	1	SA
3	DA63-07346A	2	A0656	TRAY EGG	3050,GPPS,-,HB,TP BLUE,165N,HI-	2	SA
4	DA63-07342A	2	A0711	GUARD-FRE	3050,GPPS,-,TP BLUE	2	SA
5	DA63-07345A	2	A0151	GUARD BOTTLE	3050,GPPS,T2.5,TP BLUE	1	SA
6	DA63-07344A	2	A0153	GUARD VARIETY	3050,GPPS,T2.5,TP BLUE	2	SA
7	DA63-07344A	2	A0153	GUARD VARIETY	3050,GPPS,T2.5,TP BLUE	2	SA
8	DA63-07343A	2	A0712	GUARD-EGG	3050,GPPS,T3.0,TP BLUE	1	SA
9	DA97-13594N	2	A0557	ASSY-GASKET DOOR FRE	RT29/32,3050,GASKET	1	SA
10	DA97-13594Q	2	A0535	ASSY-GASKET DOOR REF	RT29,3050,GASKET-SE	1	SA

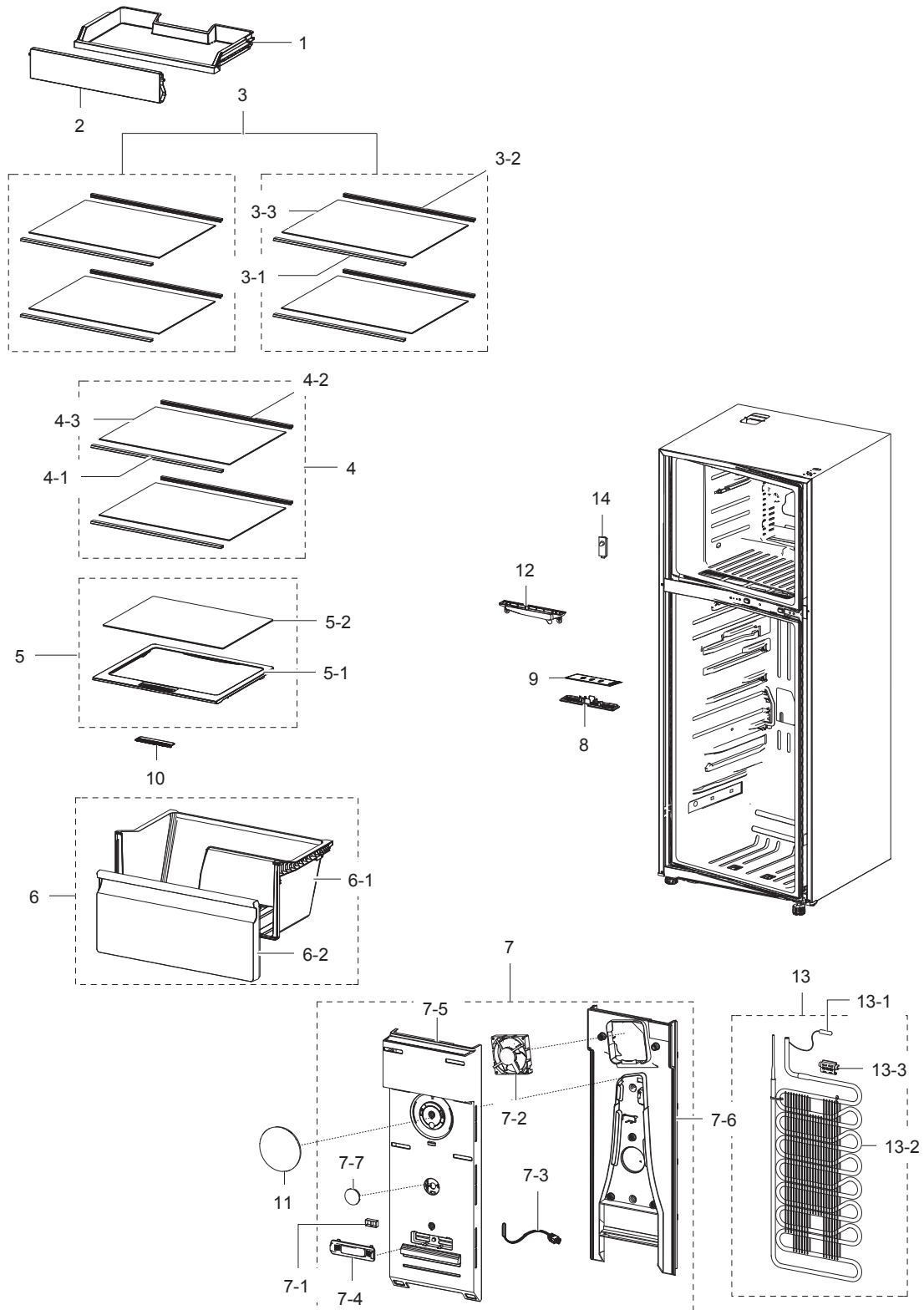
Freezing compartment



PART LIST OF FREEZER : RT29K5030WW/ES

No.	Code No.	Lvl.	Loc.	Description	Specification	Qty	SA/SNA
1	DA90-09668B	1	A0104	ASSY ICE MAKER	RT32/29,220V,TWIST,Plasti	1	SNA
1-1	DA61-10831A	3	-	SUPPORT ICE MAKER	RT7000K,HIPS,S834S1,CO	1	SA
1-2	DA97-13501A	3	A0105	ASSY TRAY ICE	RT32/29/25/22,COOL,2 TWIST	1	SA
1-2-1	DA61-08907A	4	A0718	CASE-TRAY ICE	RT38/35/32/29,2TWIST,PP,23	1	SA
1-2-2	DA61-20136A	4	-	SPRING ETC-ICE MAKER	SR-53EA,STS304,COIL	2	SA
1-2-3	DA63-07337A	4	A0120	TRAY ICE	3050,TMF,PP,T1.0,-,COOL WHITE,1	2	SA
1-2-4	DA64-04461A	4	A0118	KNOB-TRAY ICE	3050 TMF,ABS,2.0,COOL WHTI	1	SA
1-2-5	DA66-01003A	4	-	LEVER-TRAY ICE KNOB	3050,TMF,PA66,NTR	1	SA
1-2-6	DA66-01006A	4	M0434	LEVER-TRAY ICE	RT320,POM,NTR	1	SA
1-3	DA97-13501A	3	A0105	ASSY TRAY ICE	RT32/29/25/22,COOL,2 TWIST	1	SA
1-3-1	DA63-07331C	4	-	TRAY ICE-CUBE	RT5/6/7000K,GPPS,HB,TP BLU	1	SA
2	DA67-03653A	2	-	SHELF FRE	RT32/29,GPPS,TP BLUE	1	SA
3	DA63-07332A	2	A0756	COVER-AIR FRE	RT32/29/25/22,PP,T1.5,COOL	1	SA
4	DA97-16251B	2	M0303	ASSY COVER EVAP-FRE	RT5000K 29/32,NO DIS	1	SA
4-1	DA31-00338A	3	-	MOTOR BLDC FAN	92mm Box-Fan Motor,3350±7	1	SA
4-2	DA32-00070B	3	A1018	SENSOR TEMP	SC41198-021A,500mm,13.2kohm	1	SA
4-3	DA63-08321B	3	-	COVER EVAP-FRE	RT5000K 29/32,PP,HB,COOL	1	SNA
4-4	DA64-04412A	3	A0760	KNOB-DIAL	3050,HIPS,2.0,COOL WHITE,TMF	1	SA
4-5	DA99-04209A	3	-	ASSY ACCESSORY-TWIN COOLING	RT7000K	1	SA
5	DA96-01007J	2	A0163	ASSY EVAP-FRE	RT5000K_RT29,32,Fin Tube,2	1	SA
5-1	DA59-00553C	3	-	EVAPORATOR-FRE	Fin Tube,RT5000K_RT29,32,	1	SNA
5-2	DA61-00603A	3	T0066	FIXER SENSOR	n-PJT,PP,T2.0,NATURAL,HB,BJ	1	SA
5-3	DA61-09103C	3	-	PLATE EVAP-FRE REAR	RT22,AI,T0.3,A3003-H	1	SNA
5-4	DA61-07411A	3	A0744	FIXER-FUSE	NW2,PP,NATURAL,BJ750	1	SA
5-5	DA32-00070B	3	A1018	SENSOR TEMP	SC41198-021A,500mm,13.2kohm	1	SA
5-6	DA47-00301D	3	A1008	THERMO FUSE-ASSY	AC250V,10A,109~110°C,S.O	1	SA
5-7	DA47-00460D	3	A0921	HEATER METAL SHEATH	AC230V,3050 TMF, 406	1	SA
5-8	DA61-07410A	3	G0205	FIXER-HEATER FRE	NW2,PP,NATURAL,BJ750	2	SA
6	DA67-30266K	2	-	CAP SCREW	A-TOP,PP,T1.5,HB,BJ750,COOL WH	3	SA

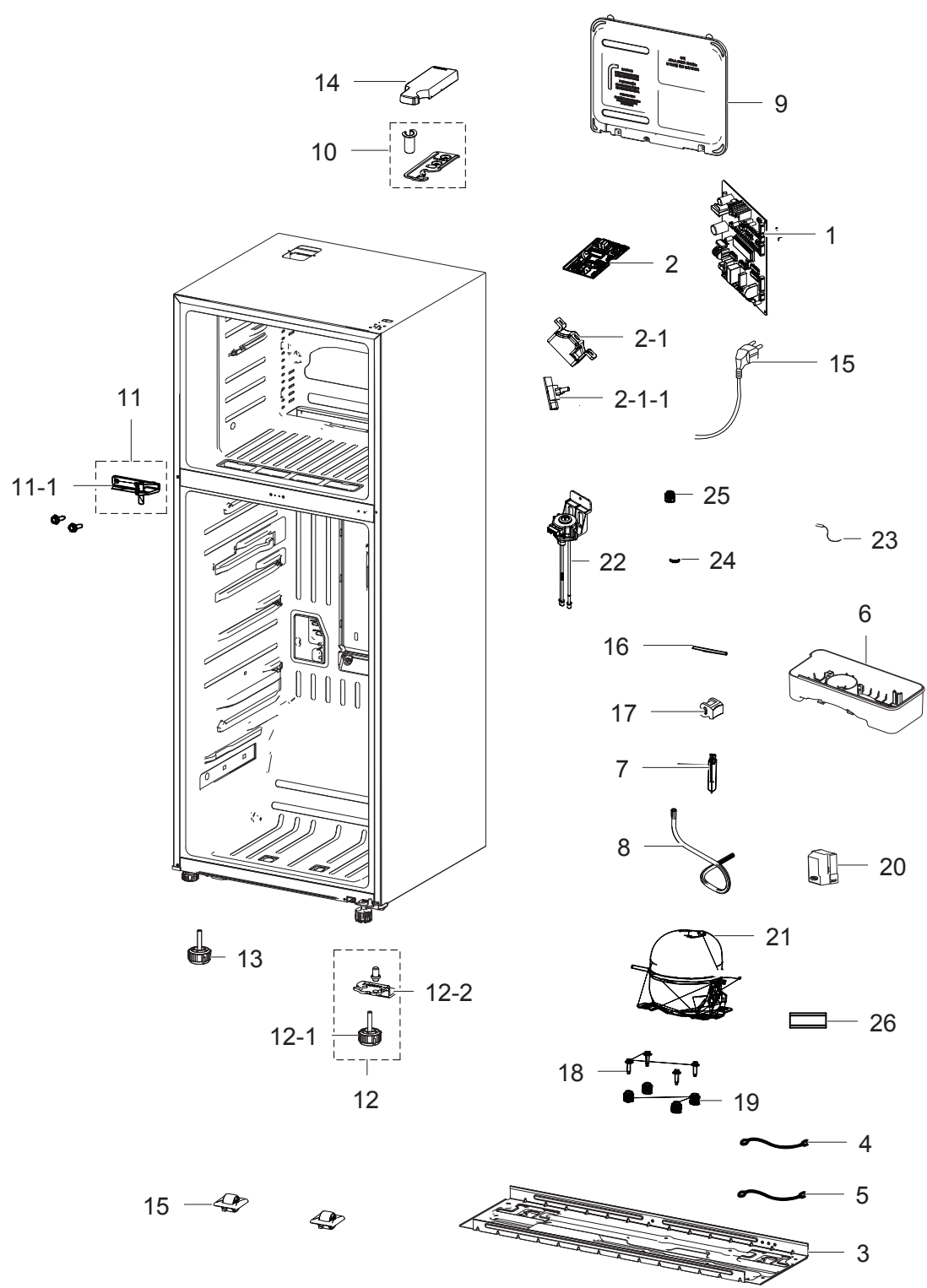
Fridge compartment



PART LIST OF FRIDGE : RT29K5030WW/ES

No.	Code No.	Lvl.	Loc.	Description	Specification	Qty	SA/SNA
1	DA63-08329A	2	-	TRAY CHILLED ROOM	RT32,GPPS,T2.5,HB,TP B	1	SA
2	DA63-07360C	2	-	COVER TRAY-CHILLED	RT32/29,GPPS,T2.5,HB,	1	SNA
3	DA97-16288A	2	-	ASSY SHELF GLASS-REF	RT5000_32/29	2	SA
3-1	DA64-04392A	3	-	TRIM SHELF-FRONT	RT320,HIPS,S834S1,COOL	2	SNA
3-2	DA64-04395A	3	-	TRIM SHELF-REAR	RT320,HIPS,S834S1,COOL W	2	SNA
3-3	DA64-04994A	3	-	GLASS-SHELF REF	RT5000_32/29,GLASS,T3.2,	2	SNA
4	DA97-16288A	2	-	ASSY SHELF GLASS-REF	RT5000_32/29	2	SA
4-1	DA64-04392A	3	-	TRIM SHELF-FRONT	RT320,HIPS,S834S1,COOL	2	SNA
4-2	DA64-04395A	3	-	TRIM SHELF-REAR	RT320,HIPS,S834S1,COOL W	2	SNA
4-3	DA64-04994A	3	-	GLASS-SHELF REF	RT5000_32/29,GLASS,T3.2,	2	SNA
5	DA97-13460F	2	A0181	ASSY COVER VEG	RT5000K	1	SA
5-1	DA63-07361A	3	A0210	COVER VEG	3050,HIPS,T2.5,-,COOL WHITE	1	SNA
5-2	DA67-03645G	3	-	GLASS-COVER VEG	RT320/290,GLASS,TEMPERED	1	SNA
6	DA97-13457A	2	M0236	ASSY CASE-VEG LOW	3050(RT320),T2.5,COOL	1	SA
6-1	DA61-08918A	3	M0268	CASE-VEG LOW	3050,PP,COOL WHITE	1	SNA
6-2	DA63-07340A	3	-	COVER-VEG LOW FRONT	3050(RT320),GPPS,TO.	1	SNA
7	DA97-16248C	2	Z1177	ASSY COVER EVAP-REF	RT5000K 29/32/35/38,	1	SA
7-1	DA02-00216B	3	-	CATALYST-DEODORIZER	T10,W15,L30,activate	1	SA
7-2	DA31-00338A	3	-	MOTOR BLDC FAN	92mm Box-Fan Motor,3350±7	1	SA
7-3	DA32-00070B	3	A1018	SENSOR TEMP	SC41198-021A,500mm,13.2kohm	1	SA
7-4	DA63-07423A	3	-	COVER-DEODORIZER	3050,PP,-,COOL WHITE,BJ	1	SA
7-5	DA63-08322B	3	-	COVER EVAP-REF A	RT5000K 29/32/35/38,PP,	1	SNA
7-6	DA63-08323A	3	-	COVER EVAP-REF B	RT5000K 29/32/35/38,PP,	1	SNA
7-7	DA64-04412A	3	A0760	KNOB-DIAL	3050,HIPS,2.0,COOL WHITE,TMF	1	SA
8	DA63-07368A	2	A0490	COVER-LAMP	3050,GPPS,T2.0,TP BLUE,G116HV	1	SA
9	DA41-00519R	2	G0090	ASSY LAMP LED	3ea,CEM-1,65*10,WHITE,SMAW	1	SA
10	DA63-07341B	3	-	COVER SHEET	3050-PJT,HIPS,COOL WHITE,S83	1	SA
11	DA99-04209A	3	-	ASSY ACCESSORY-TWIN COOLING	RT7000K	1	SA
12	DA61-10876A	2	-	PLATE DRAIN-REF	RT7000K,HIPS,T1.5,NATURA	1	SA
13	DA96-01156A	2	A0184	ASSY EVAP-REF	RT5000K,STEEL WIRE	1	SA
13-1	DA32-00070B	3	A1018	SENSOR TEMP	SC41198-021A,500mm,13.2kohm	1	SA
13-2	DA59-00580A	3	-	EVAPORATOR-REF	Fin Tube,RT5000K	1	SNA
13-3	DA61-07408A	3	-	FIXER-SENSOR	NW2,PP,NATURAL,M1600	1	SNA
14	DA34-10121C	2	M0379	SWITCH DOOR	AC125V/250V,1.5/0.75,1BUTTON	1	SA

Cabinet compartment



PART LIST OF CABINET : RT29K5030WW/ES

No.	Code No.	Lvl.	Loc.	Description	Specification	Qty	SA/SNA
1	DA92-00756R	1	A0952	ASSY PCB MAIN	TWIN COOLING,RT5000K,160*1	1	SA
2	DA92-00459P	1	-	ASSY PCB INVERTER	INVERTER,3050,148*98.5	1	SA
2-1	DA41-00471D	3	-	ASSY MODULE	SUB PBA,RT5000K,ROTARY S/W,	1	SA
2-1-1	DA61-11032A	3	-	FIXER	RT5000K,PA,WHITE,KN3322VO,7P R	1	SA
3	DA97-13450A	2	A0526	ASSY CHASSIS COMP	3050-PJT,T0.8,RT32	1	SA
4	DA39-20389A	2	A0562	ASSY WIRE HARNESS-EARTH	ALL,FREE VOLT,UL	2	SA
5	DA96-00391K	3	-	ASSY WIRE HARNESS-ROTARY	TMF,12VDC,UL+IE	1	SA
6	DA97-16550D	2	A0529	ASSY TRAY DRAIN WATER	RT5000K,A1 COMP	1	SNA
7	DA62-04309A	2	A0669	DRYER	C1220T-H,137,SINGLE MOUTH,15.8,	1	SA
8	DA62-04154A	2	M0016	PIPE CONNECT-SUCTION	3050-PJT,Cu,OD6.35,	1	SA
9	DA97-13545F	2	-	ASSY COVER PCB-PANEL	RT29/32/35/38,TWIN	1	SA
10	DA97-13613A	2	A0705	ASSY HINGE UPP	3050PJ,T2.0,320/290/250/2	1	SA
11	DA97-13614A	2	A0513	ASSY HINGE MID	3050PJ,T3.2,320/290/250/2	1	SA
11-1	DA61-08926A	3	A0831	HINGE-MID	3050PJ,PO-SPHC,T3.2	1	SNA
12	DA97-14264A	2	M0344	ASSY HINGE-LOW	3050PJ,320/290/250/220	1	SA
12-1	DA61-00805E	3	A0577	FOOT-FRONT	ARAM-PJT,PP,BLACK	1	SA
12-2	DA61-08927A	3	A0247	HINGE-LOW	3050PJ,PO-SPHC,T4.0	1	SNA
13	DA61-00805E	3	A0577	FOOT-FRONT	ARAM-PJT,PP,BLACK	1	SA
14	DA63-07349B	2	M0360	COVER-HINGE UPP	3050PJ,PP,T1.5,SNOW WHIT	1	SA
15	3903-001011	2	A0273	CBF-POWER CORD	AT,EU,EU3F,3C,250V,16A,BI	1	SA
16	DA73-00199C	2	-	PIPE CONNECT	RT5/6/7000K,Cu,OD6.35,T0.6,	1	SA
17	DA97-16549A	3	-	ASSY PIPE IMMERSING	RT6000K,-	1	SA
18	6011-001546	2	A0564	BOLT-HEX	M5(PO.8),L16,ZPC(WHT),SWRCH18A	4	SA
21	NC4AV80ALR/TT3	2	-	CMP,COMP,REFRIGERATOR,R600A	0	1	-
22	DA62-04678A	2	-	VALVE STEP	DC12V,MODULE,2WAY,STRAIGHT/ST	1	SA
23	DA32-00070B	3	A1018	SENSOR TEMP	SC41198-021A,500mm,13.2kohm	1	SA
25	DA63-02325A	3	-	GROMMET-STEP-VALVE-UP	HNR2213/15/17/20,N	1	SA
26	DA62-00960A	2	-	SEAL CUTT-RUBBER	RUBBER,BLACK,T3,W40,L70	2	SA