

S/M No. : WDF1011001

# Service Manual

## Washing Machine

Model:

**DWD-F1212**

**DAEWOO**

### ✓ **Caution**

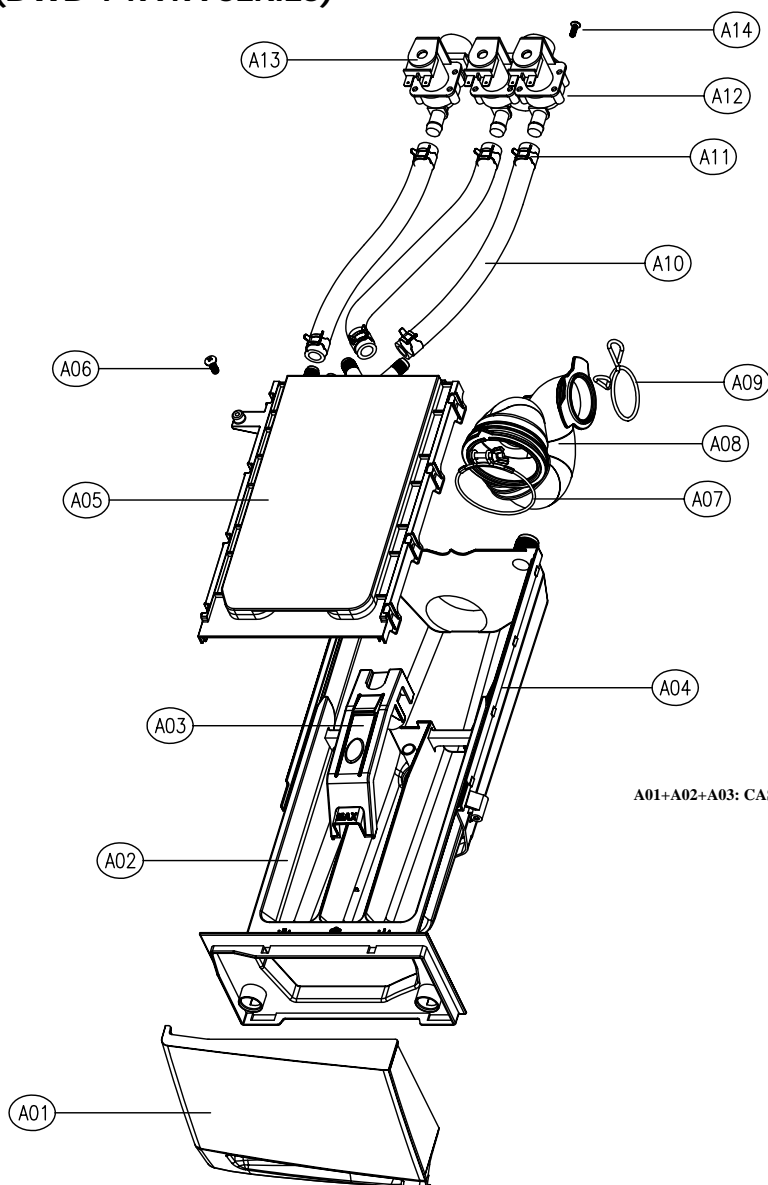
: In this Manual, some parts can be changed for improving, their performance without notice in the parts list. So, if you need the latest parts information, please refer to PPL(Parts Price List) in Service Information Center

**DAEWOO ELECTRONICS CORP.**

Mar. 2005

## 5. EXPLODE VIEW AND PARTS LIST

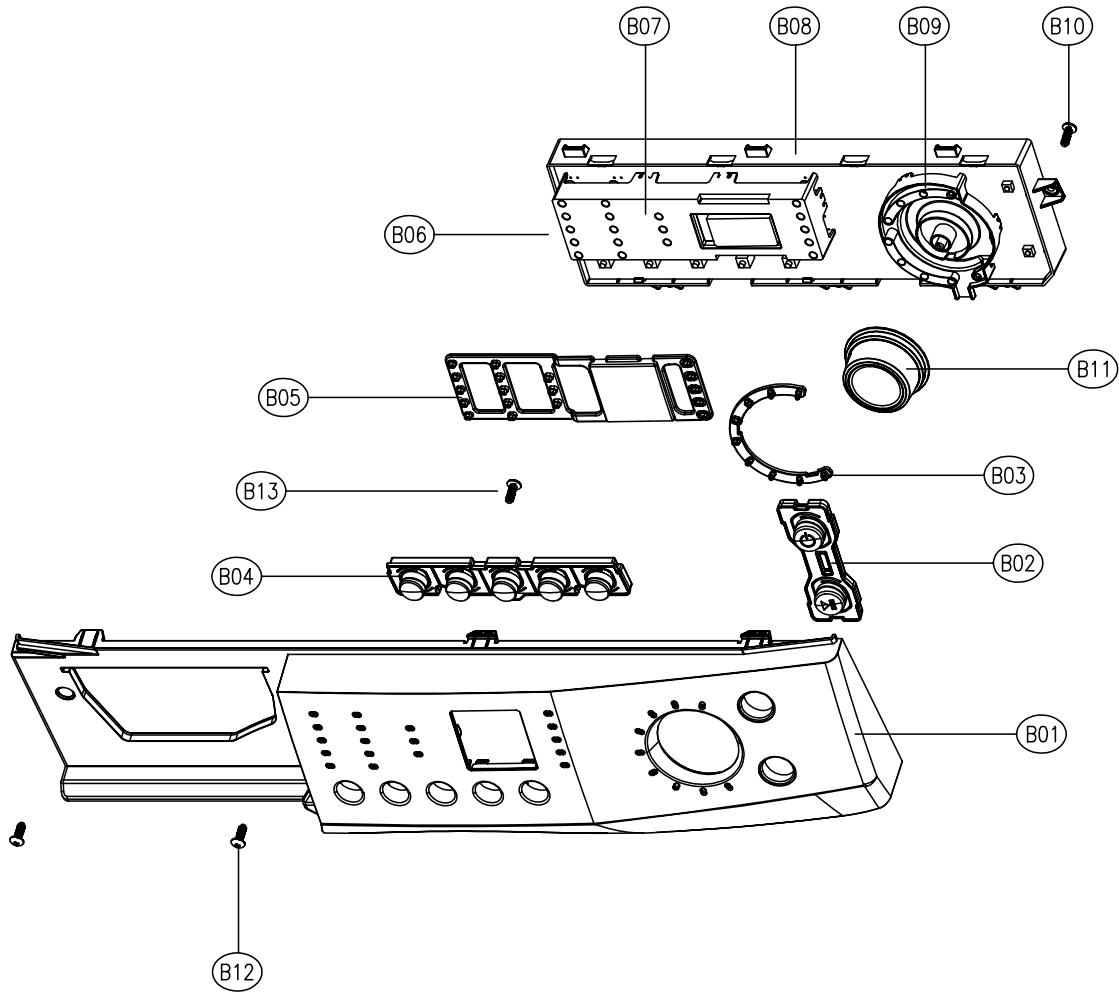
### BOX INLET AS (DWD-F1X1X SERIES)



A01+A02+A03: CASE DETERGENT AS: 3611140800

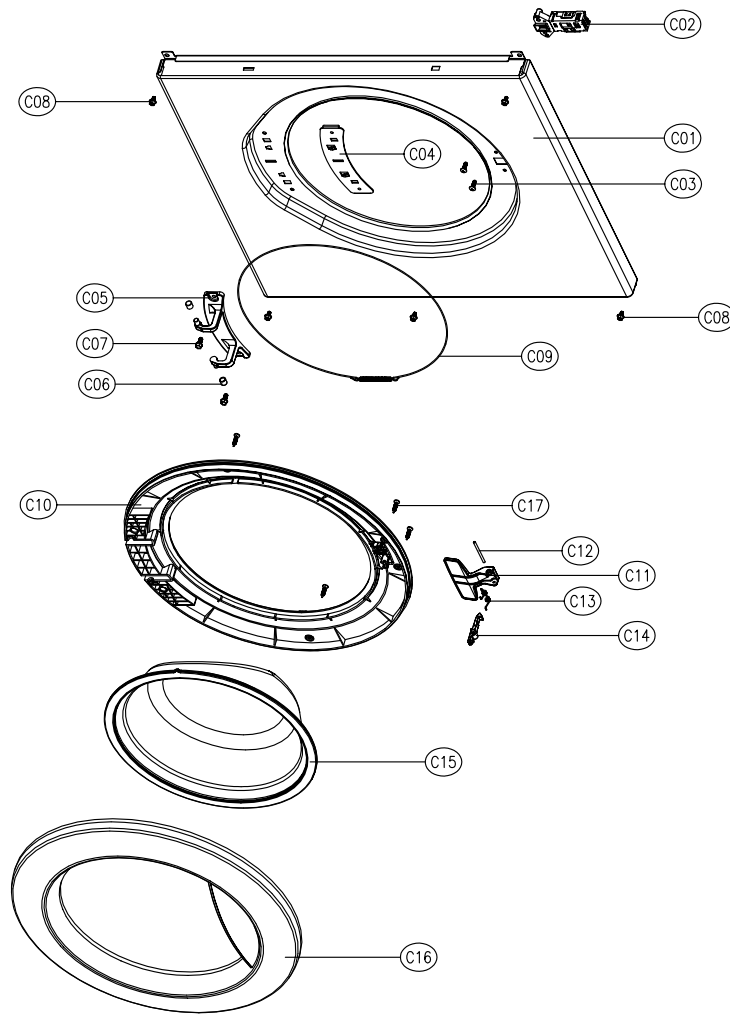
No.	PART NAME	PART CODE	SPECIFICATION	Q'TY	REMARK
A01	HANDLE CASE	PEDIR COMPLETA	ABS	1	CASE DETERGENT AS: 3611140800
		PEDIR COMPLETA			
A02	CASE DETERGENT	PEDIR COMPLETA	PP	1	
A03	CAP SOFTENER	3610916600	PP	1	
A04	BOX INLET	3610526500	PP	1	
A05	NOZZLE AS	3618103500	NOZZLE TOP + NOZZLE UNDER	1	EQUIVALENTE: 3618103510
A06	SCREW TAPPING	NO DISPONIBLE	T2S TRS 4X20 MFZN	1	
A07	CLAMP AS	3611203200	ID=60,WIRE+GUIDE+BOLT+NUT	1	
A08	HOSE INLET	3613267200	EPDM U-TRAP	1	
A09	CLAMP HOSE I	3611201400	HSW3, D2.6, MFZN, ID=38	1	
A10	HOSE WATER SUPPLY	3613270900	EPDM,ID=9.5,OD=14.5,L=225	2(1)	EQUIVALENTE: 3613268900
A11	CLAMP HOSE	3611205800	ID=13.8, W=10.0, T=0.9	4(2)	EQUIVALENTE: 3611203800
A12	VALVE INLET	3615414900	220~240V 2WAY PP VDE	1	EQUIVALENTE: 3615414910
A13	VALVE INLET	NO DISPONIBLE	220~240V,50/60Hz,1WAY	1	HOT
A14	SCREW TAPTITE	NO DISPONIBLE	TT3 TRS 4X8 MFZN	2(2)	COLD(HOT)

## ■ PANEL FRONT AS (DWD-F1X1X SERIES)



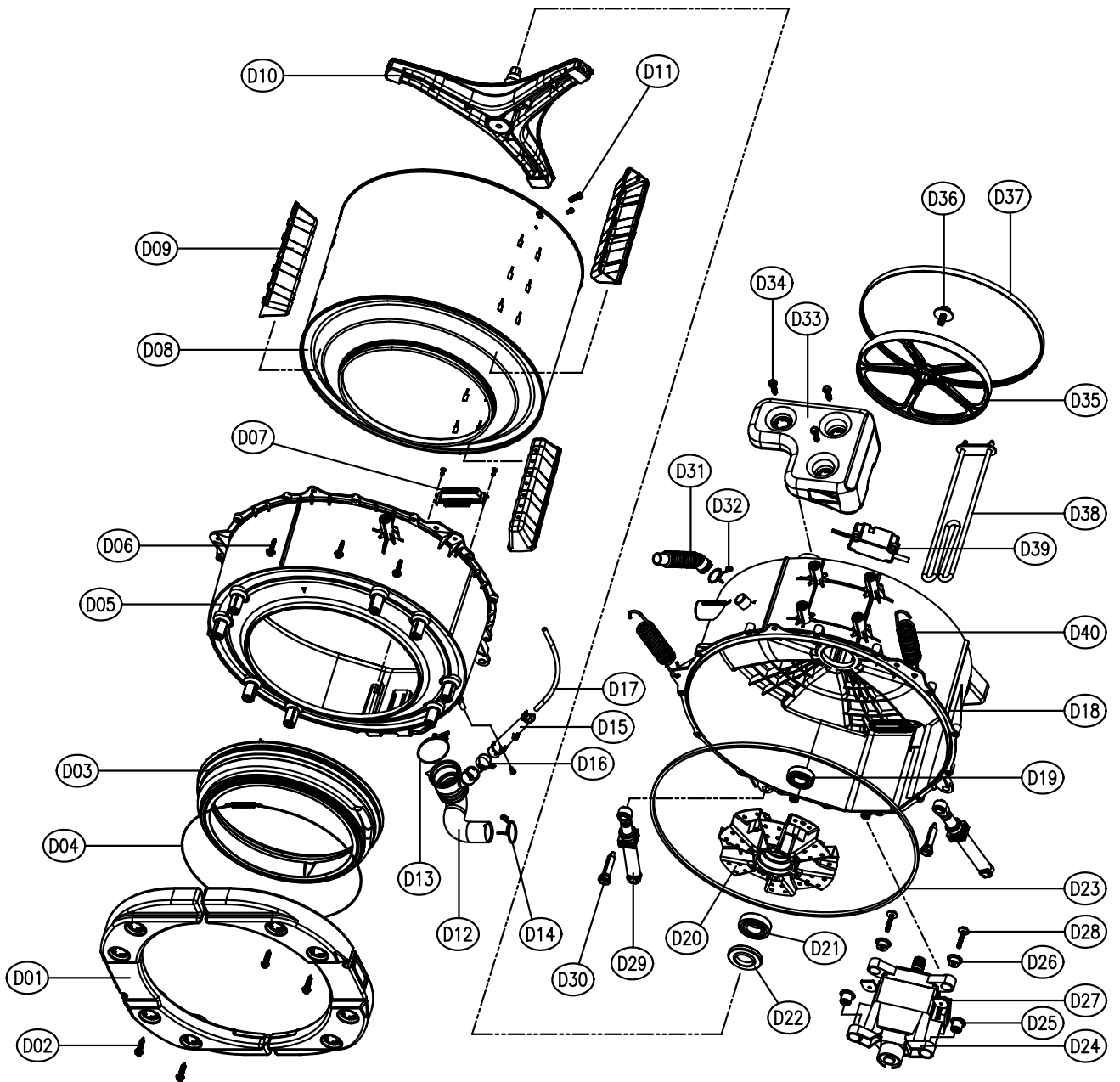
No.	PART NAME	PART CODE	SPECIFICATION	Q'TY	REMARK
B01	PANEL F	3614282700	ABS	1	
B02	BUTTON POWER	3616603600	ABS	1	DWD-F1X11/DWD-F1X14
B03	WINDOW DIAL	NO DISPONIBLE	ABS	1	
B04	BUTTON SELECT	3616603500	ABS	1	DWD-F1X11/DWD-F1X14
B05	WINDOW LED	NO DISPONIBLE	ABS		
B06	PCB ASS'Y	PRPSSW5D80	DWD-F121's. TRIAC	1	
B07	HOLDER LED	NO DISPONIBLE	ABS	1	PEDIR B06
B08	CASE PCB	NO DISPONIBLE	HIPS	1	PEDIR B06
B09	HOLDER DIAL	NO DISPONIBLE	ABS	1	PEDIR B06
B10	SCREW TAPPING	NO DISPONIBLE	T2S TRS 4x16 MFZN	4	
B11	KNOB DIAL AS	3613405000	ABS, AL COATING	1	COMPATIBLE: -3613404800
B12	SCREW TAPPING	NO DISPONIBLE	T2S TRS 4x16 SUS	2	
B13	SCREW TAPPING	NO DISPONIBLE	T2S TRS 4x12 MFZN	2	

## ■ CABINET FRONT AS



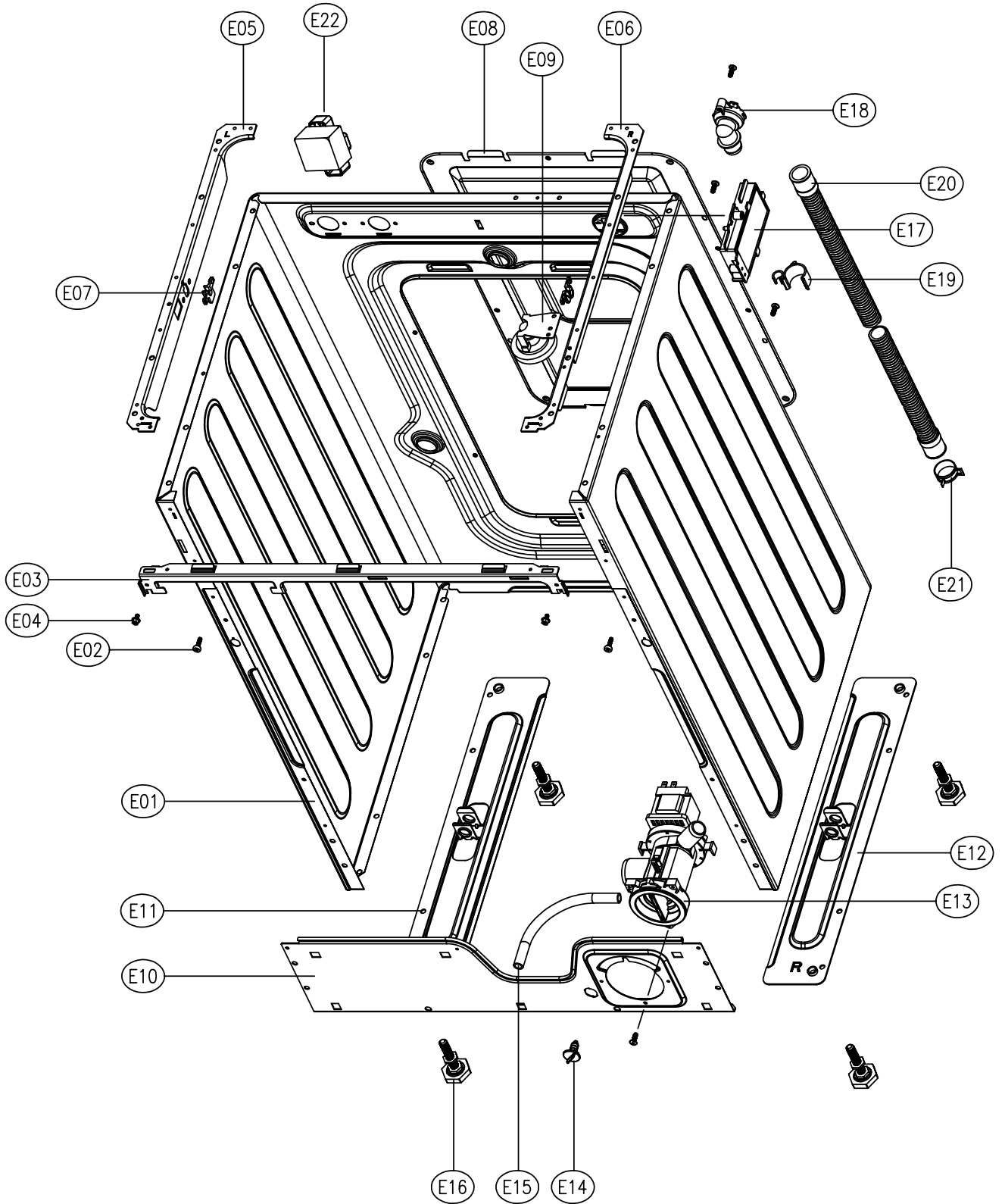
No.	PART NAME	PART CODE	SPECIFICATION	Q'TY	REMARK
C01	CABINET FRONT	NO DISPONIBLE	PCM, SGCC 0.8T, SILVER	1	
			SECD 0.7T		
C02	SWITCH DOOR LOCK	3619046800	250V16A, ROLD, BI-METAL	1	OTRA VERSIÓN: 3619047100
C03	SCREW TAPPING	NO DISPONIBLE	T2S TRS 4X12 SUS	2	
C04	PLATE HINGE SUPPORT	3614531900	SGCC T1.6	1	
C05	HINGE DOOR	3612902800	ZNDC	1	
C06	CAP HINGE DOOR	NO DISPONIBLE	POM	2	
C07	SCREW TAPPING	NO DISPONIBLE	F/L BOLT(SE) 5*12 SUS	2	
C08	SCREW TAPPING	NO DISPONIBLE	TTS"S" HEX F/L 4*8	6	
C09	CLAMP DOOR AS	3611204800	HSWR D=1.4	1	
C10	FRAME DOOR I	3612205200	PP	1	
C11	HANDLE DOOR	3612608600	ABS	1	
C12	PIN HANDLE	NO DISPONIBLE	SUS304, D3, L48	1	
C13	SPRING HOOK	3615114600	SUS D1.4	1	
C14	HOOK DOOR	3613100700	ZNDC	1	
C15	DOOR GLASS	361A110700	GLASS PI300	1	
C16	FRAME DOOR O	3612205100	ABS	1	DWD-F1XX1
C17	SCREW TAPPING	NO DISPONIBLE	T1S FLT 4*20 SUS	6	

■ TUB ASS'Y



No.	PART NAME	PART CODE	SPECIFICATION	Q'TY	REMARK
D01	BALANCER WEIGHT F L/R	NO DISPONIBLE	FRONT, 6.0kg	2	
D02	SPECIAL SCREW(BALANCER)	3616029400	SWCH 8.5X30	8	
D03	GASKET	3612321400	EPDM	1	
D04	CLAMP GASKET AS	3611204500	HSWR D=1.8	1	
D05	TUB FRONT	3618821000	FRPP FH7300GM	1	
D06	SPECIAL SCREW(TUB)	NO DISPONIBLE	SWCH 6.5X30	14	
D07	FIXTURE HEATER	3612007300	SUS 0.7T 440x45	1	
D08	DRUM SUB AS	3617004000	SUS 0.5T	1	
D09	LIFTER WASH	361A400400	PP	3	COMPATIBLE: 361A400410
D10	SPIDER AS	361A300500	ALDC+SM45C	1	
D11	SPECIAL SCREW(SPIDER)	NO DISPONIBLE	SUS430 8x25	3	
D12	HOSE DRAIN	3613267300	EPDM	1	
D13	CLAMP AS	3611203200	ID=60,WIRE+GUIDE+BOLT+NUT	1	
D14	CLAMP HOSE I	3611201400	HSW3, D2.6, MFZN, D=38	1	
D15	AIR TRAP	361A500101	PP	1	COMPATIBLE: 361A500100
D16	CLAMP HOSE	3611204700	D27	1	
D17	HOSE AIR	3613268600	ID=4, OD=8, L=700	1	
D18	TUB REAR	3618821100	FRPP FH7300GM	1	
D19	BEARING OUTER	3616303200	6205Z FAG	1	
D20	BEARING HOUSING	3616303300	ALDC	1	
D21	BEARING INNER	3616303100	6206Z FAG	1	
D22	WATER SEAL	361A600100	NBR	1	
D23	GASKET TUB	3612321600	EPDM L=1675	1	
D24	UNIT MOTOR UNIVERSAL	36189L4H00	220VDC50HZ 2POLES PI340	1	
D25	CUSHION MOTOR FIX(A)	NO DISPONIBLE	BUTYLE	2	
D26	CUSHION MOTOR FIX(B)	NO DISPONIBLE	BUTYLE	2	
D27	SPECIAL WASHER	NO DISPONIBLE	T=4.0 M6	2	
D28	SPECIAL BOLT	NO DISPONIBLE	M6x43, SPRING+PLATE WASER	2	
D29	DAMPER FRICTION	361A700120	120N, AKS, ST=170-160, DL=197.5	2	
D30	DAMPER PIN	361A700200	AKS, D=14.5	2	
D31	HOSE VENT	3613267100	EPDM	1	
D32	CLAMP HOSE	3611204700	D27	1	
D33	BALANCER WEIGHT T	NO DISPONIBLE	TOP, 6.0kg	1	
D34	SPECIAL SCREW(BALANCER)	3616029400	SWCH 8.5x30	3	
D35	PULLEY	3618433200	ALDC	1	
D36	SPECIAL BOLT AS	3616029600	SWCH M10xL30, F/L BOLT	1	
D37	BELT V	3616591100	MEGADTNE 5RIB, POLYURETHANE	1	
D38	HEATER WASH	3612801200	230V 2KW 26.45Ω 8.6W/SQ	1	COMPATIBLE: 3612801500, 3612800800
D39	UNIT BUBBLE PUMP	36189L4120	220-240V DBK-204DB	1	OPTION
D40	SPRING SUSPENSION	3615114500	D3.2, L158	2	

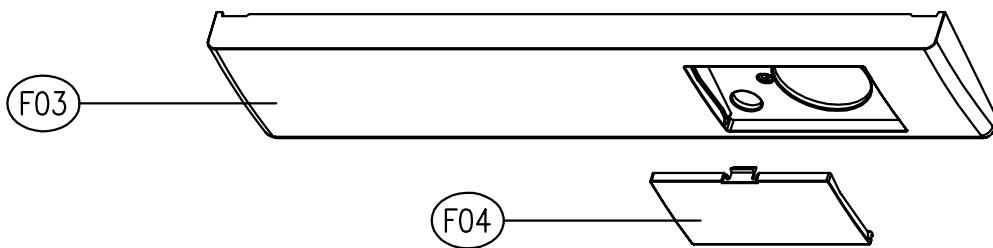
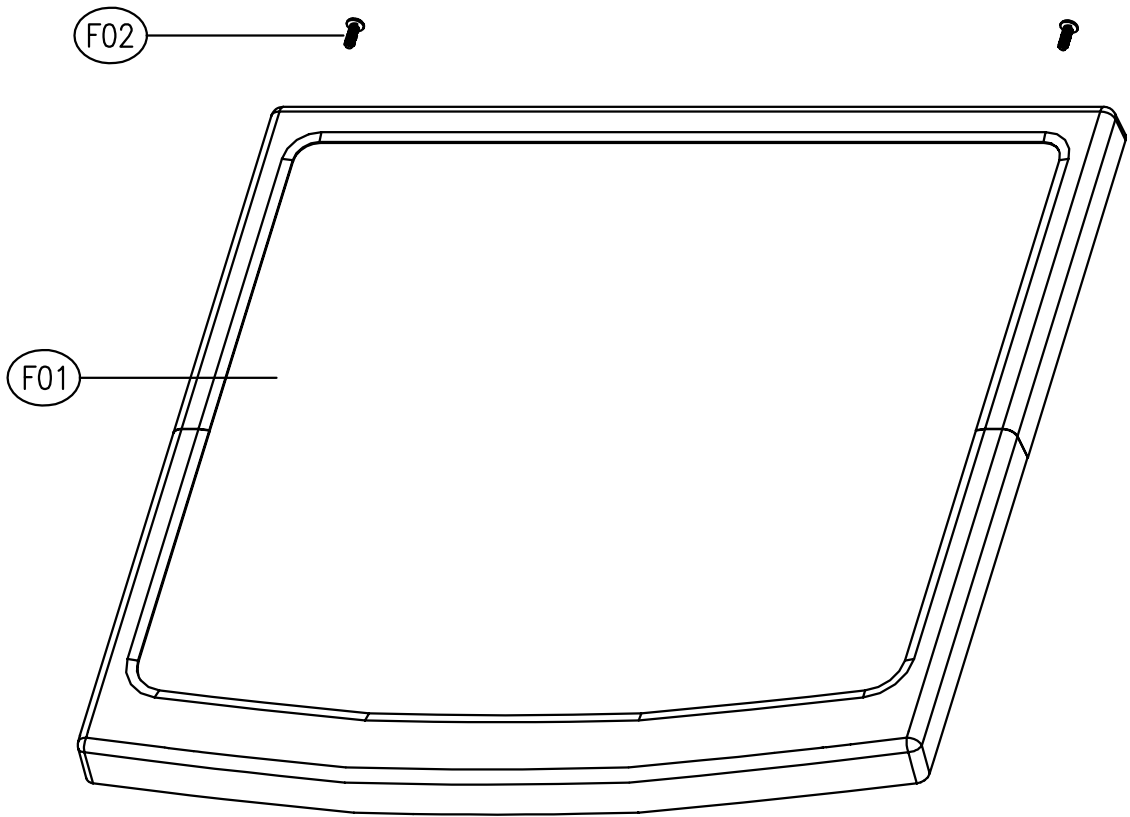
# ■ CABINET AS



No.	PART NAME	PART CODE	SPECIFICATION	Q'TY	REMARK
E01	CABINET	NO DISPONIBLE	SGCC, T0.8, PAINTING	1	
E02	SPECIAL SCREW	NO DISPONIBLE	M4x12.5, MACHINE	2	
E03	FRAME UPPER	NO DISPONIBLE	SGCC T1.2 55X580	1	
E04	SCREW TAPPING	NO DISPONIBLE	TTS"S" HEX F/L 4X8	4	
E05	FRAME TOP-L	NO DISPONIBLE	SGCC T1.6 52x500	1	
E06	FRAME TOP-R	NO DISPONIBLE	SGCC T1.6 52x500	1	
E07	STOPPER SPRING	3615202200	POM	2	
E08	COVER BACK AS	3611425500	SGCC 0.35T + EPDM 2T	1	
E09	SENSOR PRESSURE	3614825300	5V DRUM DL-DW11 INLET 90	1	
E10	FRAME LOWER	NO DISPONIBLE	SGCC T1.2 160X580	1	
E11	BASE U-L	3610392200	SGCC T1.6 100x500	1	
E12	BASE U-R	3610392300	SGCC T1.6 100x500	1	
E13	UNIT DRAIN PUMP AS	36189L4F10	220-240V/50Hz B20-6 DRUM	1	COMPATIBLE: 36189L5K20
E14	CAP WATER REMAIN	3610916800	PP	1	
E15	HOSE WATER REMAIN	3613268700	EPDM, ID8.5, L200	1	
E16	LEG ADJUST AS	3617703800	MFZN M10x1.25 + BUTYLE	4	
E17	EMI FILTER	3611908600	NOISE FILTER(TRIAC TYPE)	1	
E18	CUFF DRAIN HOSE	3616802500	PP	1	
E19	GUIDE DRAIN HOSE	NO DISPONIBLE	PP	1	
E20	HOSE DRAIN I AS	3613268400	L=870	1	
E21	CLAMP HOSE	3611204700	D27	1	
E22	REACTOR AS	3615800100		1	OPTION



■ PLATE T AS + PANEL LOWER AS (DWD-F1X1X SERIES)



No.	PART NAME	PART CODE	SPECIFICATION	Q'TY	REMARK
F01	PLATE T AS	3614532900	HIPS, MFC, WH	1	
F02	SCREW TAPPING	NO DISPONIBLE	T2S TRS 4X14 MFZN	2	
F03	PANEL LOWER	3614282800	HIPS	1	
F04	COVER PUMP FILTER	3611425800	HIPS	1	