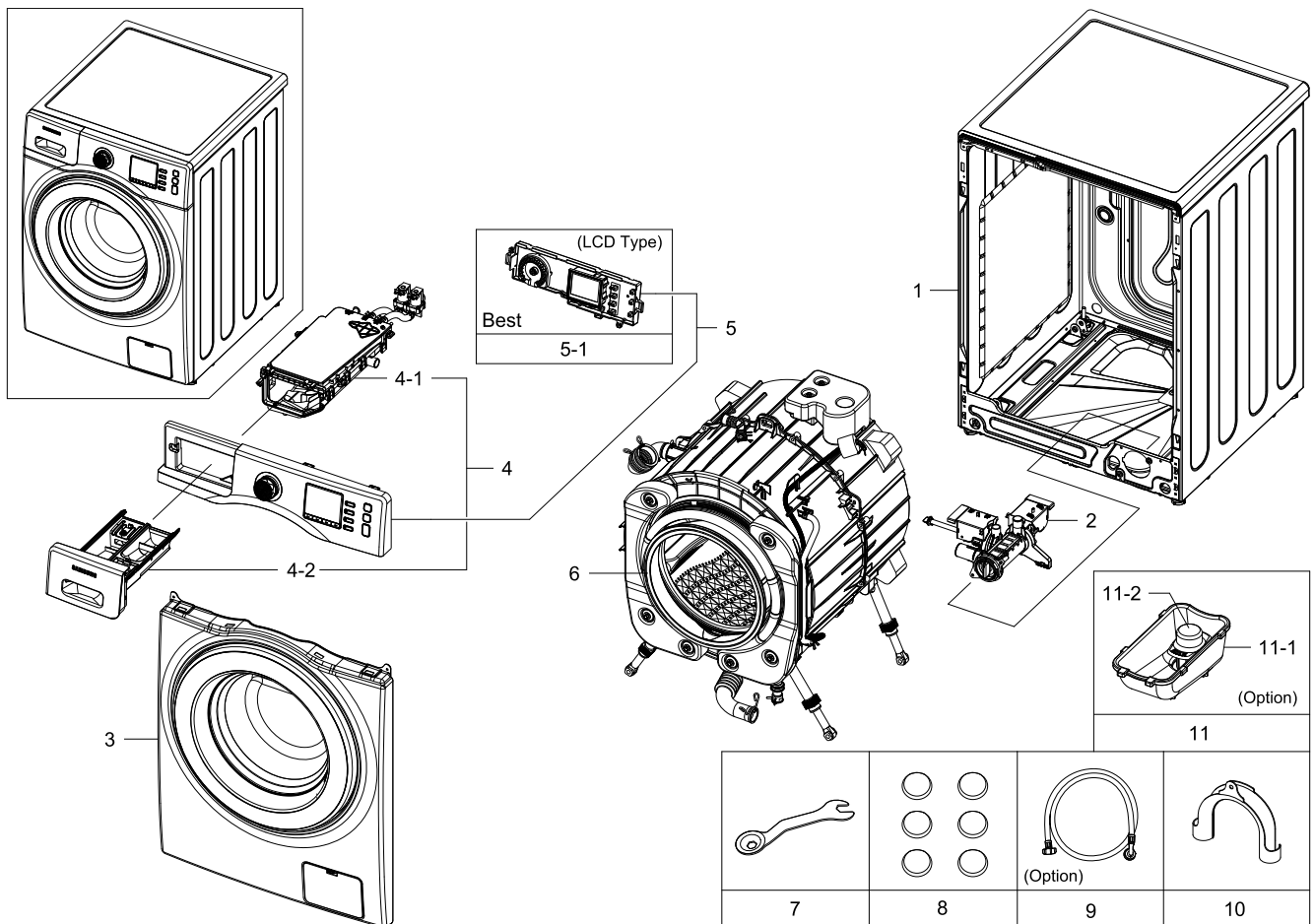


# 1. Main

## Exploded View



## Parts List

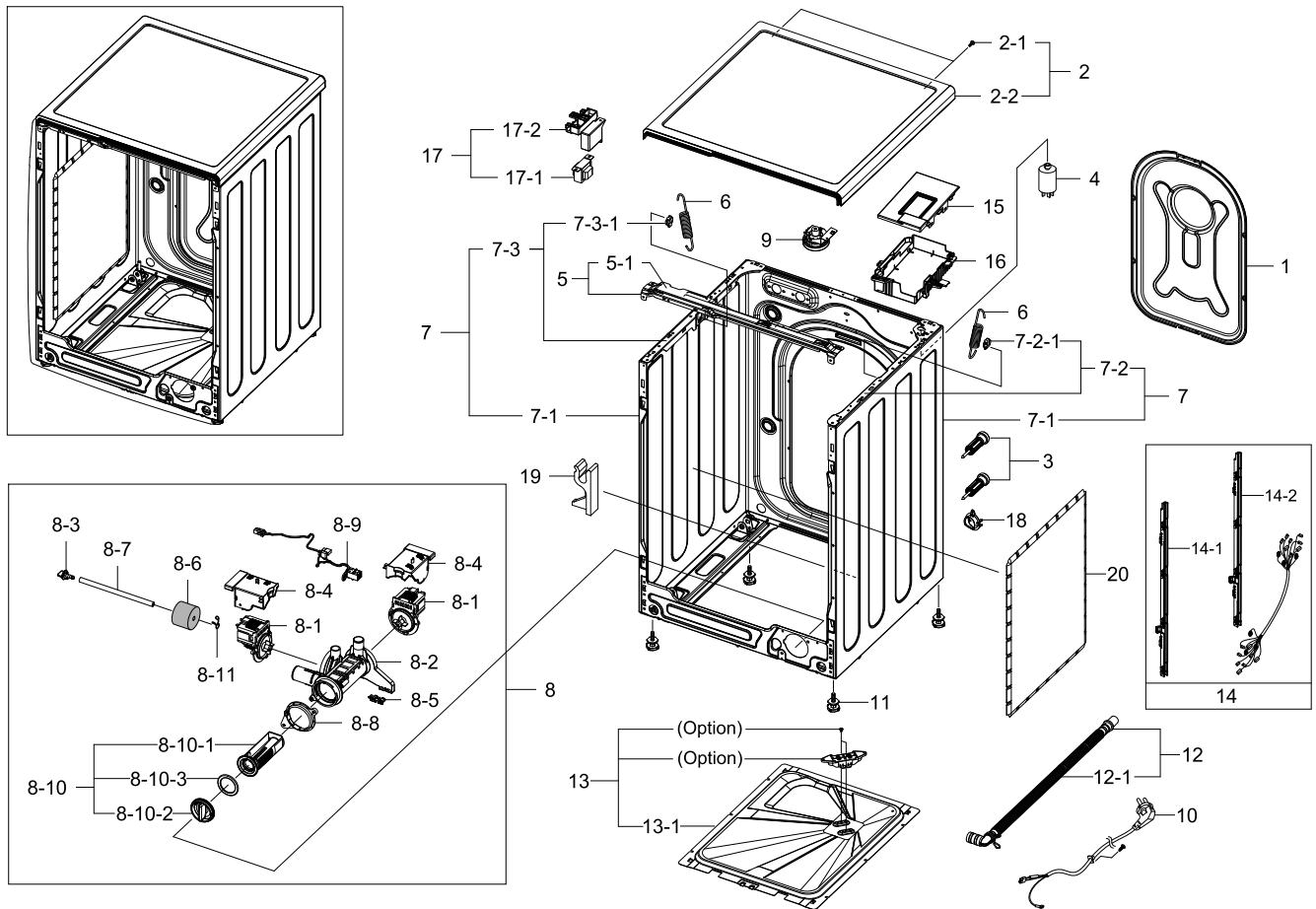
No.	Lvl.	Loc.	Material Code	Description & Specification	SNA	Qty.
1	2	WF0004	DC97-16703A	ASSY FRAME; ARNO,WF1124ZAC	SA	1
2	2	WU5151	DC97-16645A	ASSY PUMP DRAIN; ARNO,WF1124ZAC/XEF	SA	1
3	1	WF0009	DC90-06009A	ASSY FRONT; ARNO PJT,WF1124ZAC/XEF	SNA	1
4	1	WR0005	DC90-06007A	ASSY DRAWER; ARNO PJT,WF1124ZAC/XEF	SNA	1
4-1	2	WR0008	DC97-16643A	ASSY HOUSING DRAWER; ARNO,WF1124ZAC/XEF	SA	1
4-2	2	WR0005	DC97-16696A	ASSY DRAWER; ARNO,WF1124ZAC	SA	1
5	1	WC0016	DC90-07167A	ASSY PANEL CONTROL; ARNO,WF1124XAC/XEC	SNA	1
5-1	2	WZ0025	DC92-00673B	ASSY PCB SUB; ARNO,LCD-1,12KG,230V/50Hz,Y	SA	1
6	1	WT0008	DC90-06017A	ASSY TUB FRONT; ARNO PJT,WF1124ZAC/XEF	SNA	1
7	2	WJ5077	DC60-40146A	BOLT-SPANER; CR,T2.5,-	SA	1

Exploded Views and Parts List

No.	Lvl.	Loc.	Material Code	Description & Specification	SNA	Qty.
8	2	WA5001	DC67-00307A	CAP-FIXER; WF438AAC/XAA,PP,T1.5,BLK,RM60	SC	6
9	3	WH5388	DC67-00576A	HOSE-WATER; ARNO,TPE,ID4.5,OD8,T2.5,L870,	SA	1
10	2	WH5379	DC62-10278A	HOSE-HANGER; PUMP MODEL,PP,BLACK	SA	1
11	2	WI0009	DC97-16128A	ASSY COVER DRAWER; SCOUT,WF0704L7W/XEF,PP	SC	1
11-1	3	WI0353	DC61-02581C	GUIDE-LIQUID(M); WF1802XEC,PP,T2.0,W61,W1	SA	1
11-2	3	WI0108	DC67-00524A	CAP-DRAWER; WF0804Y8E/XEF,PP,T2.0,W27,L43	SA	1

## 1.1. Frame & Cover Parts

### Exploded View



### Parts List

No.	Lvl.	Loc.	Material Code	Description & Specification	SNA	Qty.
1	2	WF0002	DC97-16695A	ASSY COVER BACK; ARNO,WF1124ZAC/XEF	SA	1
2	1	WF0003	DC90-12995A	ASSY COVER TOP; ARNO	SNA	1
2-1	2	WX0531	6009-001476	SCREW-HEX; HEX,+,M5,L10,Ni-Zn(WHT),SWRCH1	SA	2
2-2	2	WF0003	DC97-16691L	ASSY COVER TOP; ARNO,WF1124XAC/XEU,WHITE	SA	1
3	2	WJ5109	DC97-14653C	ASSY FIXER TUB; SCOUT,WF0804Y8E/XEF	SA	4
4	2		DC29-00015G	FILTER EMI; LFT-215G,250V,15,53*53*97,50/	SA	1
5	2	WF0008	DC97-16692A	ASSY FRAME PLATE(U); ARNO,WF1124ZAC/XEF	SA	1
5-1	3	WF0088	DC61-03081A	FRAME-PLATE(U); ARNO-PJT,GI-SGCC,T1.2	SA	1
6	2	WF0102	DC61-03099A	SPRING ETC-HANGER; ARNO,HSWR-SWRH,CD4.2,O	SA	2
7	2	WF0004	DC97-16703A	ASSY FRAME; ARNO,WF1124ZAC	SA	1

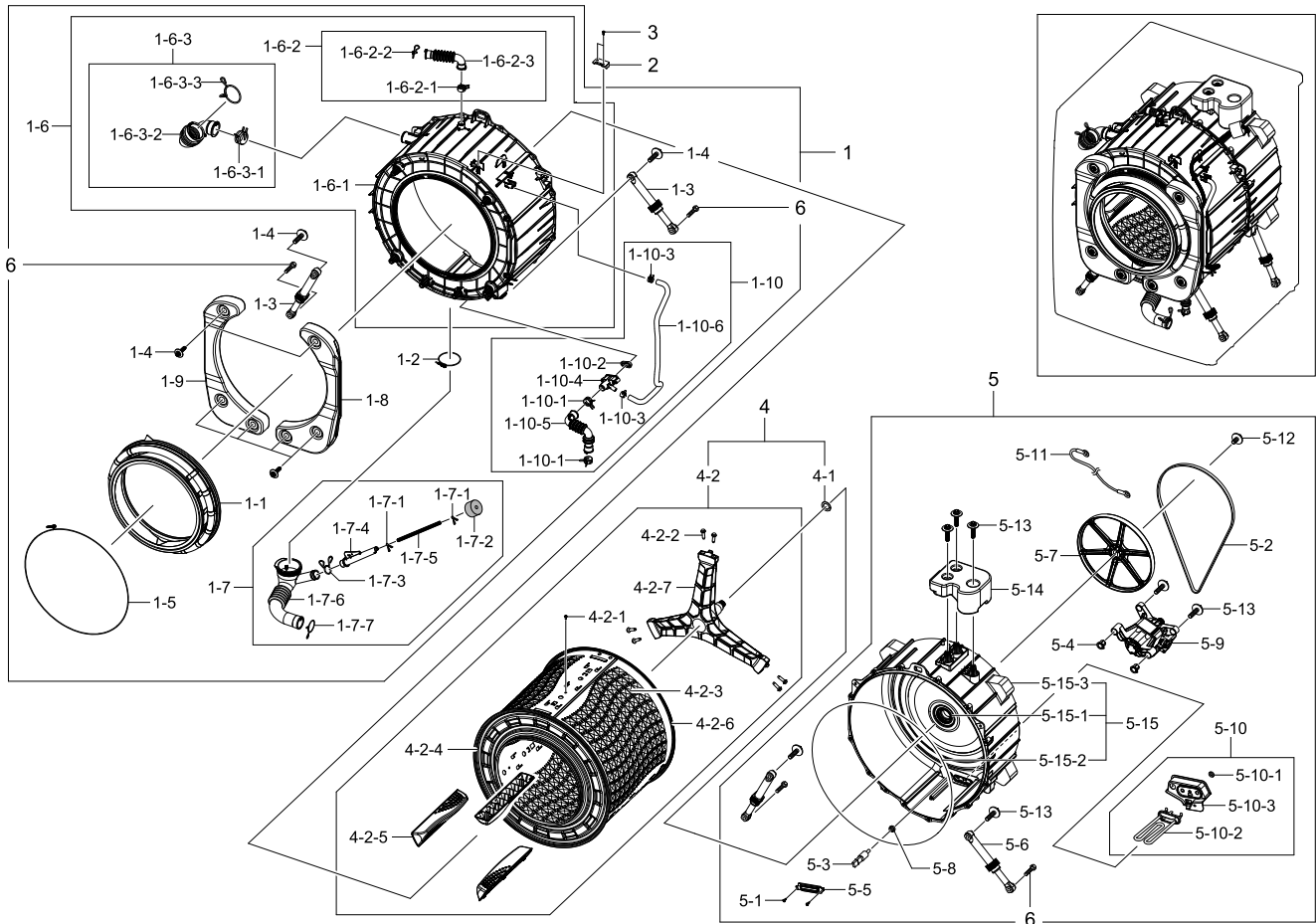
Exploded Views and Parts List

No.	Lvl.	Loc.	Material Code	Description & Specification	SNA	Qty.
7-1	3	WF0067	DC61-03440B	FRAME; ARNO-PJT,GI-SGCC,WHT,T1.0,W598,L79	SNA	1
7-2	3	WP0136	DC61-03092A	BRACKET-SPRING(R); ARNO-PJT,GI-SGCC,T1.4,	SNA	1
7-2-1	3	WI0266	DC61-02065A	GUIDE-SPRING; WF448AAG/XXA,POM,T4,W24,L36	SA	2
7-3	3	WP0135	DC61-03093A	BRACKET-SPRING(L); ARNO-PJT,GI-SGCC,T1.4,	SNA	1
7-3-1	3	WI0266	DC61-02065A	GUIDE-SPRING; WF448AAG/XXA,POM,T4,W24,L36	SA	2
8	2	WU5151	DC97-16645A	ASSY PUMP DRAIN; ARNO,WF1124ZAC/XEF	SA	1
8-1	3		DC31-00030H	PUMP-DRAIN; 220V-240V,50Hz,30W, 30mm	SA	2
8-2	3	WU0023	DC61-03082A	CASE-PUMP; ARNO,PP,T2.5,W184.6,L165.2,NTR	SA	1
8-3	3	WI0107	DC61-10673A	CAP-DRAIN; PP,-,-,-,NTR	SNA	1
8-4	3	WI0203	DC63-01549A	COVER-PUMP; F500,PP,VO GRADE,WHT,FH44N,-	SA	2
8-5	3	WO0031	DC63-00905A	CUSHION-PUMP; WF8802DPF/XET,NBR,-,W37.6,L	SNA	1
8-6	3	WH0017	DC63-10003C	SPONGE-HOSE AIR; SWF-P12,PU-FOAM,GRY	SNA	1
8-7	3		DC67-00244H	HOSE-DRAIN; WF1124ZAC,EPDM,ID6,OD11,T2.5,	SNA	1
8-8	3		DC69-01770A	PACKING-PUMP; ARNO-PJT,RUB-OTH,BUTYL,T2.5	SNA	1
8-9	3	WW0006	DC93-00150D	ASSY WIRE HARNESS-PUMP; ARNO,WF1124ZAQ/XE	SA	1
8-10	3	WA0006	DC97-16642A	ASSY FILTER; ARNO,WF1124ZAC/XEF	SA	1
8-10-1	4	WU0026	DC63-01341A	FILTER-PUMP; ARNO-PJT,PP,T2.0,W52.8,L123.	SNA	1
8-10-2	4	WI0357	DC64-01317A	HANDLE-FILTER; PP,W57.3,L31.0,-	SNA	1
8-10-3	4		DC73-00022A	SEAL-PACKING; SEW-HVR149ATA,EPDM,BLK,39.2	SNA	1
8-11	3		DD65-00001F	CLAMPER HOSE; HSWR-SWRH,D10.5/T1.2	SNA	1
9	2	WE0020	DC96-01703B	ASSY SENSOR PRESSURE; PURPLE PJT,PURPLE P	SA	1
10	2	WE0016	DC96-00146A	ASSY POWER CORD; UCP2,250V/16A,H05VV-F 3*	SC	1
11	2	WB5216	DC97-00920C	ASSY LEG; SEW-HW108,L48.5,M10	SC	4
12	2		DC97-16680A	ASSY HOSE DRAIN(O); ARNO,WF1124,ASSY,L185	SA	1
12-1	3	WH0013	DC67-00330B	HOSE-PUMP; WF8802DPF,PP,ID21,OD23,L1850,G	SA	1
13	2	WF0015	DC97-14642A	ASSY PLATE BOTTOM; -,-,NON LEAKAGE SENSOR	SA	1
13-1	3	WI0156	DC61-01938A	COVER-BOTTOM; HEBA-PJT,GI-SGCC,T0.5,W422,	SNA	1

No.	Lvl.	Loc.	Material Code	Description & Specification	SNA	Qty.
14	2	WW0026	DC93-00277G	ASSY M.GUIDE WIRE HARNESS; ARNO-F3,WF1124	SA	1
14-1	3	WI5054	DC61-03102A	GUIDE-WIRE(F); ARNO,PP,NATURAL,FRONT	SA	1
14-2	3	WI0280	DC61-03103A	GUIDE-WIRE(B); ARNO,PP,NATURAL,BACK	SNA	1
15	2	WI0196	DC63-01345A	COVER-PCB(M); ARNO,HIPS,T2.5,NATURAL,-	SA	1
16	2		DC92-00969A	ASSY PCB MAIN INVERTER; ARNO SENSORLESS,8	SA	1
17	2	WE0026	DC93-00279A	ASSY TRANS REACTORV; ARNO,220V/60Hz	SA	1
17-1	3	WE0149	DC26-00009P	TRANS-REACTOR; 8.5mH,220V-240V,3A,220V-24	SA	1
17-2	3	WP0161	DC61-03107A	BRACKET-REACTOR; ARNO,PP,T3.0,NATURAL,V0	SA	1
18	2	WH5359	DC61-00274A	GUIDE-HOSE; P/PV/M,PP,-,-,WHT,FRAME/DRA	SA	1
19	2	WI0383	DC61-02601A	GUIDE-HOSE; EPP,T50,WHT	SA	1
20	2	WA0001	DC63-01313A	ABSORBER-SOUND; SCOUT2-PJT,PP,T10,W500,L4	SNA	1

## 1.2. Assy Tub & Drum

### Exploded View



### Parts List

No.	Lvl.	Loc.	Material Code	Description & Specification	SNA	Qty.
1	1	WT0008	DC90-06017A	ASSY TUB FRONT; ARNO PJT,WF1124ZAC/XEF	SNA	1
1-1	2	WD0067	DC64-02684A	DOOR-DIAPHRAGM; ARNO-PJT,EPDM,T1.5,GRY,WA	SA	1
1-2	2		DC65-00021A	CLAMPER HOSE-JOINT; HEBA PJT,HSWR-SWRH,ID	SNA	1
1-3	2	WB5214	DC66-00343K	DAMPER-SHOCK; GE24"-PJT,PP,60N,W24,BLACK,	SA	2
1-4	2	WJ5013	DC97-14263A	ASSY BOLT; HEBA-PJT,MOTOR/BOLT(M8)+WASHER	SA	7
1-5	2	WJ0002	DC97-14618A	ASSY CLAMP DIAPHRAGM; WF8804DP,OD2.0/L124	SA	1
1-6	2	WT0004	DC97-16628A	ASSY SEMI TUB FRONT; ARNO,WF1124ZAC/XEF	SA	1
1-6-1	3	WT0042	DC61-03100A	TUB-FRONT; ARNO PJT,FRPP,NTR	SNA	1

No.	Lvl.	Loc.	Material Code	Description & Specification	SNA	Qty.
1-6-2	3	WH5017	DC97-14873B	ASSY HOSE AIR; HEBA,WF8702,-,BLACK	SA	1
1-6-2-1	4		DC61-00158A	CLAMPER HOSE; SW65ASP,SK5,ID23,T0.8,-	SNA	1
1-6-2-2	4	WJ0027	DC65-60118J	CLIP-RING; HSWR-SWRH,-,PI2.0/ID23	SNA	1
1-6-2-3	4	WH5206	DC67-00354A	HOSE-AIR; HEBA PJT,EPDM,BLK,7kg	SA	1
1-6-3	3	WH5375	DC97-14874C	ASSY HOSE DRAWER; HEBA BIGBANG,WF0800NCE,	SA	1
1-6-3-1	4	WJ5109	DC61-00219G	CLAMPER HOSE; HEBA BIGBANG,SK5,ID37/OD39/	SNA	1
1-6-3-2	4	WH5191	DC67-00422A	HOSE-DRAWER TUB; HEBA-PJT,EPDM,BLK	SC	1
1-6-3-3	4	WJ0027	DC72-00001G	CLIP-RING; HEBA-PJT,HSWR-SWRH,T2.4,ID49.5	SNA	1
1-7	2	WH5387	DC97-16644A	ASSY HOSE PRESSURE; ARNO,WF1124ZAC/XEF	SA	1
1-7-1	3	WP0165	DC61-70029C	SPRING-CLIP; SEW-HW125,HSWR,CD1.2,ID8.3,W	SA	2
1-7-2	3	WH0017	DC63-10003C	SPONGE-HOSE AIR; SWF-P12,PU-FOAM,GRY	SNA	1
1-7-3	3	WJ0027	DC65-60125B	CLIP-RING; HSWR-SWRH,PI2.4,ID25,-	SNA	1
1-7-4	3		DC67-00297A	HOSE-JOINT AIR; HEBA & Aegis-PJT,PP,L167.3,	SNA	1
1-7-5	3	WH5388	DC67-00576A	HOSE-WATER; ARNO,TPE,ID4.5,OD8,T2.5,L870,	SA	1
1-7-6	3	WH0012	DC67-00577A	HOSE-FILTER TUB; ARNO,EPDM,T1.5,BLK	SA	1
1-7-7	3	WJ0027	DC72-00001H	CLIP-RING; HEBA-PJT,HSWR-SWRH,PI3.0,ID35,	SNA	1
1-8	2	WE5189	DC97-16697A	ASSY WEIGHT BALANCER-(R); ARNO,WF1124ZAC/	SA	1
1-9	2	WE5190	DC97-16698A	ASSY WEIGHT BALANCER-(L); ARNO,WF1124ZAC/	SA	1
1-10	2		DC97-16722A	ASSY HOSE-CIRCULATION; ARNO,WF1124ZAC,EPD	SA	1
1-10-1	3		DC61-00158A	CLAMPER HOSE; SW65ASP,SK5,ID23,T0.8,-	SNA	2
1-10-2	3	WT0030	DC62-00296A	SEAL-CONNECTOR; WF0804Y8E,EPDM,SCOUT-PJT	SNA	1
1-10-3	3		DC65-00008A	CLAMPER HOSE; SEW-DR605,SK5,-,ID14.2/T0.9	SNA	2
1-10-4	3		DC67-00462A	HOSE-CONNECTOR; WF0804Y8E,PP,NTR,SCOUT-PJ	SNA	1
1-10-5	3	WH5389	DC67-00568A	HOSE-AIR TUB; ARNO-PJT,EPDM,T1.5,BLK	SA	1
1-10-6	3		DC67-00579A	HOSE-CIRCULATION; ARNO,EPDM,ID9.0,OD14.5,	SNA	1
2	2	WE5187	DC93-00278A	ASSY SENSOR; MEMS SENSOR,410mm,ARNO	SA	1
3	2	WX0412	6002-000213	SCREW-TAPPING; TH,+,1,M4,L12,ZPC(WHT),SWR	SNA	2
4	1	WG0004	DC90-06011A	ASSY DRUM; ARNO PJT,WF1124ZAC/XEF	SNA	1
4-1	2	WJ0109	6031-001640	WASHER-SPRING; STS,-,ID35.2,OD39.0,T0.3,-	SNA	1

Exploded Views and Parts List

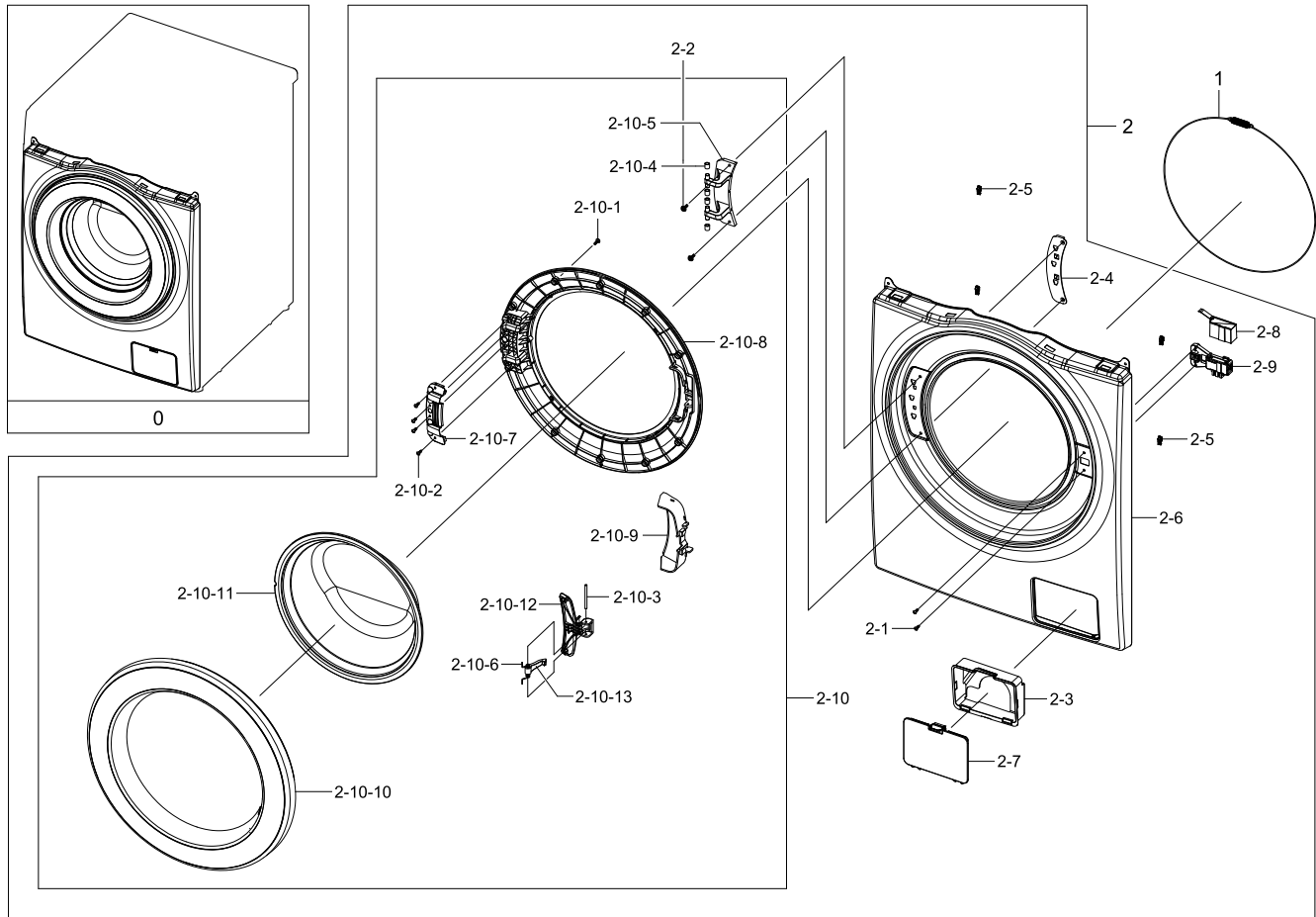
No.	Lvl.	Loc.	Material Code	Description & Specification	SNA	Qty.
4-2	2	WG0004	DC97-16699A	ASSY DRUM; ARNO,WF1124ZAC,D507.4 x H490.8	SA	1
4-2-1	3		6002-001435	SCREW-TAPPING; TH,+2,M4,L12,PASS,STS430	SNA	3
4-2-2	3	WJ5081	DC60-40137A	BOLT-HEX; MARS-PJT,STAINLESS-STS430,M8,P1	SA	6
4-2-3	3	WG0057	DC66-00674A	DRUM-WRAPPER; ARNO,STAINLESS-STS430,OD514	SNA	1
4-2-4	3	WG0054	DC66-00675A	DRUM-FRONT; ARNO,STAINLESS-STS430,ID321,O	SNA	1
4-2-5	3	WG0055	DC66-00677A	DRUM-LIFTER; ARNO,PP,W54,H45.8,L302,T2.5,	SNA	3
4-2-6	3	WG0053	DC66-00678A	DRUM-BACK; ARNO,STAINLESS-STS430,OD503,T0	SNA	1
4-2-7	3	WS0006	DC97-16625A	ASSY FLANGE SHAFT; ARNO,WF1124ZAC/XEF	SA	1
5	1	WT0007	DC90-09979A	ASSY TUB BACK; ARNO,WF2124ZAC/XEE	SNA	1
5-1	2	WX0434	6002-000471	SCREW-TAPPING; TH,+,-,1,M4,L12,PASS,STS30	SA	2
5-2	2	WS0060	6602-001497	BELT-TIMING GEAR; RUBBER(GATES),T3.2,1270	SA	1
5-3	2	WE5177	DC32-00010C	THERMISTOR; 3243OHM AT 60??-10~100,5,10	SA	1
5-4	2	WS0064	DC61-02549A	BUSH-MOTOR; HEBA BIGBANG,PA66+GF15%,NATUR	SNA	2
5-5	2	WP0099	DC61-02664A	BRACKET-HEATER; HEBA,STAINLESS-STS430,T0.	SA	1
5-6	2	WB5214	DC66-00343K	DAMPER-SHOCK; GE24"-PJT,PP,60N,W24,BLACK,	SA	2
5-7	2	WS0109	DC66-00530B	PULLEY-MOTOR; HEBA BIGBANG,ALDC,OD296.8,I	SA	1
5-8	2	WE0115	DC69-00824A	PACKING-THERMISTOR; GW-PJT,EPDM,-,-,W17,H	SNA	1
5-9	2		DC93-00316A	ASSY MOTOR-BLDC; ARNO,WDM500FGB,F,DC310V,	SA	1
5-10	2	WE0010	DC93-00281A	ASSY HEATER; ARNO,230V/2000W,CERAMIC/GREE	SNA	1
5-10-1	3	WJ0083	6031-001531	WASHER-PLAIN; SCP1,ID7,OD14,T1.2,ZPC2,ACE	SNA	1
5-10-2	3	WE0155	DC47-00033A	HEATER-WASH; HEBA,SUS316L+CERAMIC COATING	SA	1
5-10-3	3	WE0060	DC63-01340A	COVER-HEATER; ARNO,ABS+PC,T3.0,W143,D40.7	SA	1
5-11	2	WW5711	DC96-01327D	ASSY WIRE HARNESS; ARNO,WF1124ZAQ/XEF,220	SA	1
5-12	2	WJ5031	DC97-06080A	ASSY BOLT; SEW-3HR105,BOLT+WASHER	SA	1
5-13	2	WJ5013	DC97-14263A	ASSY BOLT; HEBA-PJT,MOTOR/BOLT(M8)+WASHER	SA	7



No.	Lvl.	Loc.	Material Code	Description & Specification	SNA	Qty.
5-14	2	WE5188	DC97-16702A	ASSY WEIGHT BALANCER-(U); ARNO,WF1124ZAC,	SA	1
5-15	2	WT0007	DC97-16708A	ASSY TUB BACK; ARNO,WF1124ZAC	SA	1
5-15-1	3	WS0119	DC62-00156A	SEAL-OIL; TS85-PJT,NBR(OD84),BLK,-,-,-,JI	SA	1
5-15-2	3	WO0055	DC69-01769A	PACKING-TUB; ARNO,EPDM,EPDM,T5.5,L1720,BL	SA	1
5-15-3	3	WT0003	DC97-16726A	ASSY SEMI TUB BACK; ARNO,WF1124ZAC	SNA	1
6	2	WX0558	6011-001644	BOLT-HEX; M10,L35,ZPC2,SM10C,DAMPER	SA	4

### 1.3. Assy Front

#### Exploded View



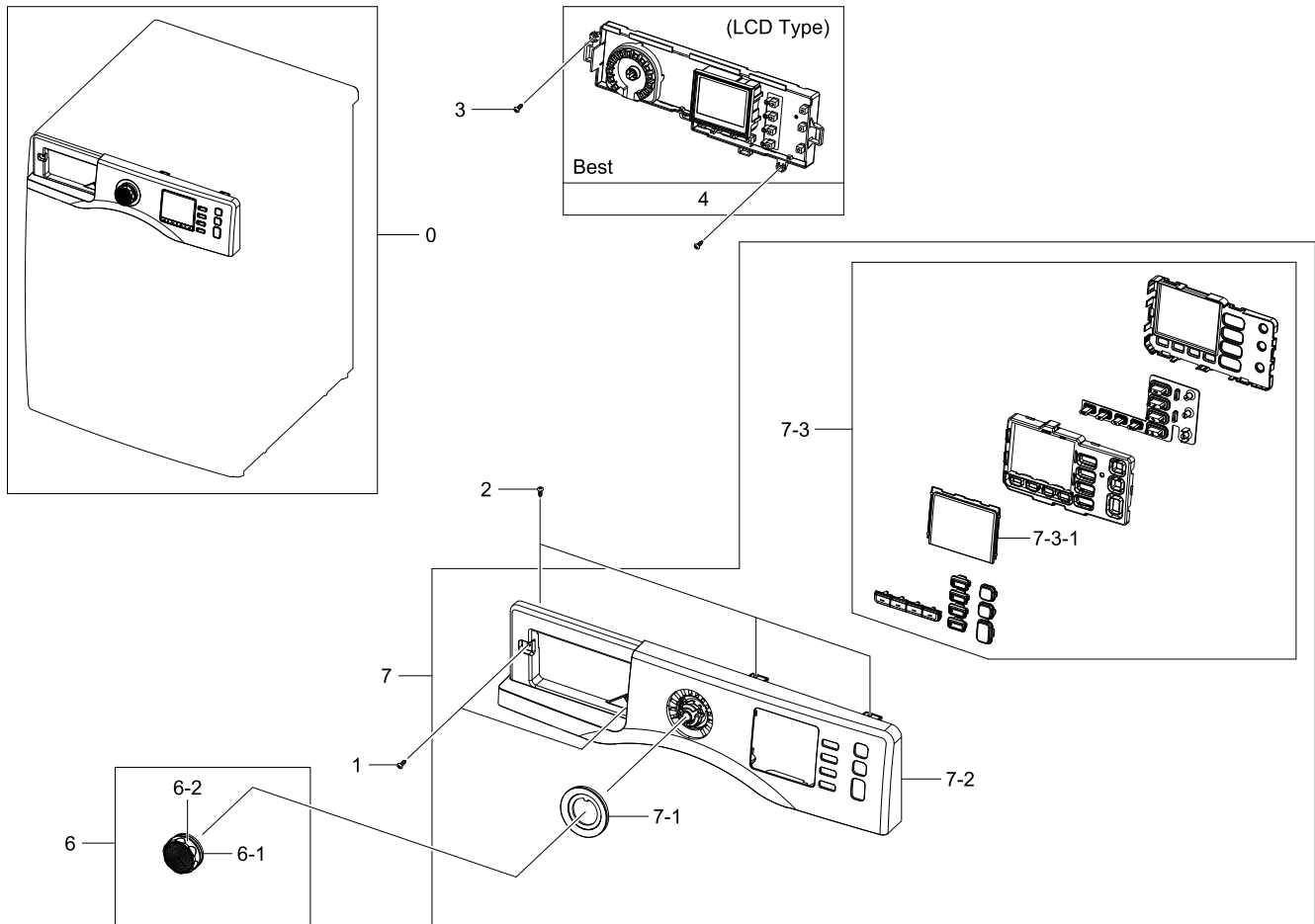
#### Parts List

No.	Lvl.	Loc.	Material Code	Description & Specification	SNA	Qty.
0	1	WF0009	DC90-06009A	ASSY FRONT; ARNO PJT,WF1124ZAC/XEF	SNA	1
1	2	WJ0008	DC91-12078D	ASSY WIRE DIAPHRAGM; HEBA-PJT,-,-,-,-	SA	1
2	2	WF0005	DC97-16631A	ASSY FRAME FRONT; ARNO,WF1124ZAC/XEF	SA	1
2-1	3		6002-001435	SCREW-TAPPING; TH,+2,M4,L12,PASS,STS430	SNA	3
2-2	3	WX0534	6009-001522	SCREW-HEX; HWH,+M5,L16,PASS,STS430,FP,SE	SA	2
2-3	3	WI0248	DC61-01917A	GUIDE-FILTER; WF8804DP,HIPS,T2.5,W149.2,L	SA	1
2-4	3	WP0101	DC61-01919A	BRACKET-HINGE; WF8804DP,GI-SGCC,T1.4,L161	SA	1
2-5	3	WF0128	DC61-02577A	GUIDE-FRAME FRONT; WF0800NCE,POM,W4.1,L18	SA	4
2-6	3	WF0082	DC61-03094D	FRAME-FRONT; WF1124XAC,EGI-SECC,DA WHITE,	SA	1
2-7	3	WI0167	DC63-00854A	COVER-FILTER; WF8804DP,ABS,T2.0,W150.7,L1	SA	1

No.	Lvl.	Loc.	Material Code	Description & Specification	SNA	Qty.
2-8	3	WE0059	DC63-00967A	COVER-DOOR SWITCH; AEGIS-PJT/ WF8500NHW,P	SA	1
2-9	3	WE0067	DC64-01538A	DOOR-LOCK S/W; ZV-446L5,PA,W95,L52,WHITE,	SA	1
2-10	3	WD0003	DC97-16727A	ASSY DOOR; ARNO,WF1124ZAC	SA	1
2-10-1	4	WX0621	6002-000444	SCREW-TAPPING; TH,+,2,M4,L14,PASS,STS430	SA	9
2-10-2	3	WX0622	6002-001306	SCREW-TAPPING; TH,+,1,M4,L14,ZPC(WHT),SWR	SA	1
2-10-3	4	WJ0064	6043-001093	PIN-PARALLEL(KEY); A,OD3,L40,PASS,STS204	SNA	1
2-10-4	4	WD0090	DC61-00891A	GUIDE-HINGE; HAUZEN(DOM),POM,-,-,-,WHT,HI	SA	4
2-10-5	4	WD0096	DC61-03189A	HINGE-DOOR; WF8804DP,PA66,T5.0,W51.7,L156	SA	1
2-10-6	4	WD0130	DC61-02027A	SPRING ETC-LEVER; STAINLESS-STS304,CD1.2,	SA	1
2-10-7	4	WP0103	DC61-03084A	BRACKET-HOLDER; ARNO,GI-SGCC,T1.2	SA	1
2-10-8	4	WD0105	DC61-03088A	HOLDER-GLASS; ARNO,PP,-	SA	1
2-10-9	4	WI0175	DC63-01384A	COVER-HANDLE; WF1124ZAC,ABS,L130.7,-,-	SA	1
2-10-10	4	WD0037	DC63-01387A	COVER-DOOR; WF1124ZAC,ABS,T3,W475.5,L476.	SA	1
2-10-11	4	WD0070	DC64-01790A	DOOR-GLASS; AEGIS,GLASS,T5.0,W353.0	SA	1
2-10-12	4	WD0094	DC64-02720A	HANDLE-DOOR; WF1124ZAC,ABS,L111.9,HG-0760	SA	1
2-10-13	4	WD0114	DC66-00497B	LEVER-DOOR; WF8804DPA1,ZNDC,T5,W10,L46,PL	SA	1

# 1.4. Assy Panel Control

## Exploded View



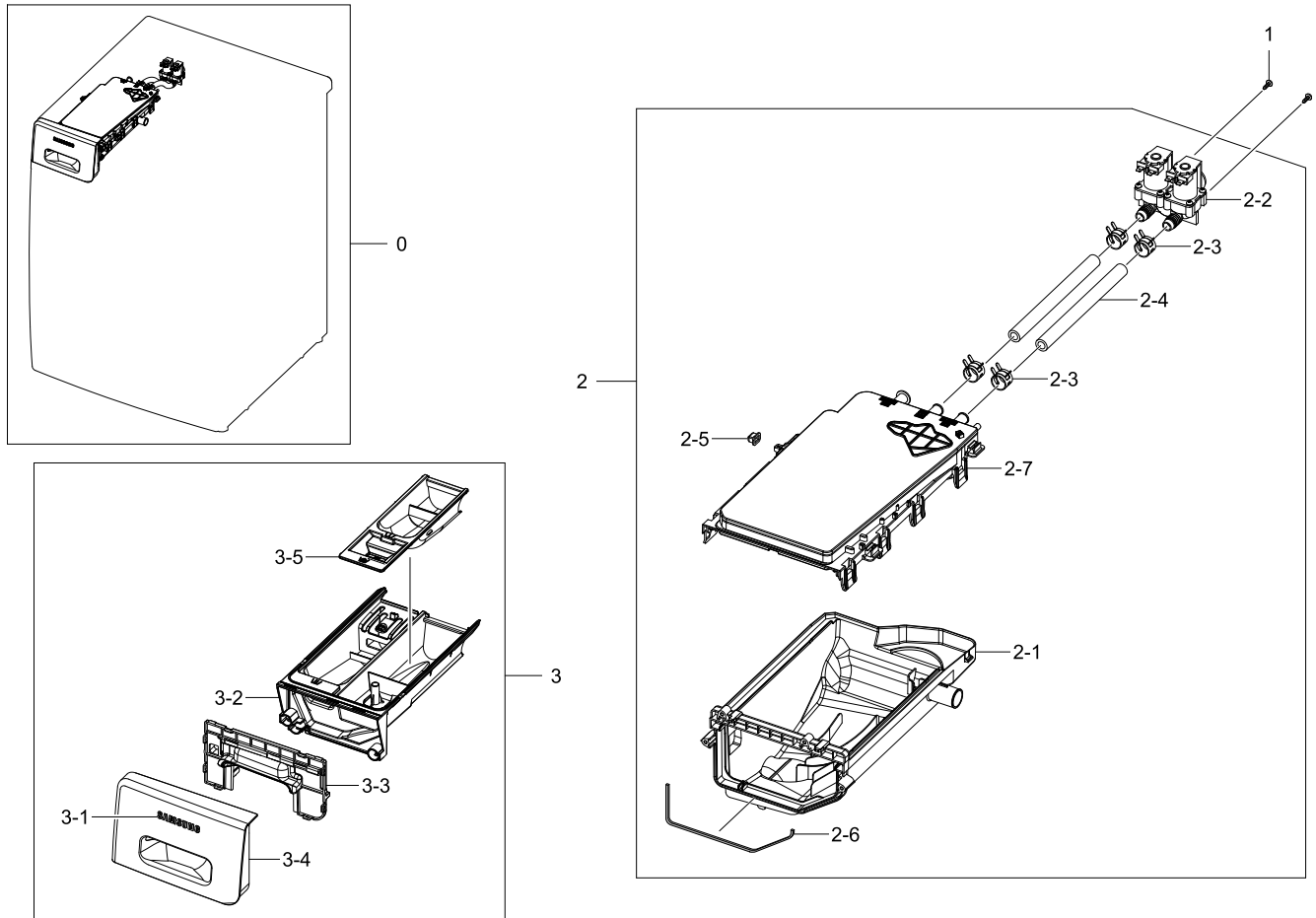
## Parts List

No.	Lvl.	Loc.	Material Code	Description & Specification	SNA	Qty.
0	1	WC0016	DC90-07167A	ASSY PANEL CONTROL; ARNO,WF1124XAC/XEC	SNA	1
1	2	WX0427	6002-000445	SCREW-TAPPING; TH,+,NO,2,M4,L18,PASS,STS4	SA	2
2	2	WX0441	6002-000520	SCREW-TAPPING; TH,+,-,2,M4,L12,ZPC(WHT),S	SA	3
3	2	WX0622	6002-001306	SCREW-TAPPING; TH,+,1,M4,L14,ZPC(WHT),SWR	SA	1
4	2	WZ0025	DC92-00673B	ASSY PCB SUB; ARNO,LCD-1,12KG,230V/50Hz,Y	SA	1
6	2	WC0009	DC97-17357A	ASSY KNOB ENCODER; BAIKAL-PJT,WF702Y4BKWD	SA	1
6-1	3	WC0101	DC64-01927B	KNOB-ENCODER; WF702Y4BKWQ/LP,ABS,T2.5,W45	SNA	1
6-2	3	WC0077	DC64-02800A	DECORATION-ENCODER; BAIKAL-PJT,ABS,T2.5,N	SNA	1

No.	Lvl.	Loc.	Material Code	Description & Specification	SNA	Qty.
7	2	WC0016	DC97-16701D	ASSY PANEL CONTROL; ARNO,WF1124XAC/XEC,WH	SA	1
7-1	3	WC0135	DC64-02674A	WINDOW-ENCODER; ARNO,PC,T2.0,W69.8,T6.1,T	SNA	1
7-2	3	WC0122	DC64-02694D	PANEL-CONTROL; WF1124XAC/XEC,ABS,T3.0,W59	SNA	1
7-3	3	WC0001	DC97-17044D	ASSY BUTTON; ARNO,SPANISH	SA	1
7-3-1	4	WC0140	DC64-02682D	WINDOW-PANEL; WF1124XAC/XEC,PMMA,SPANISH,	SNA	1

# 1.5. Assy Drawer

## Exploded View





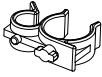



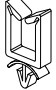
## Parts List

No.	Lvl.	Loc.	Material Code	Description & Specification	SNA	Qty.
0	1	WR0005	DC90-06007A	ASSY DRAWER; ARNO PJT,WF1124ZAC/XEF	SNA	1
1	2	WX0494	6003-000226	SCREW-TAPTYPE; TH,+,-,S,M4,L8,ZPC(WHT),SW	SC	2
2	2	WR0008	DC97-16643A	ASSY HOUSING DRAWER; ARNO,WF1124ZAC/XEF	SA	1
2-1	3	WR0039	DC61-03085A	HOUSING-DRAWER(L); ARNO-PJT,PP,T1.8,NTR	SNA	1
2-2	3	WE5152	DC62-00024M	VALVE-WATER; DRUM,PA66,-,-,349,NTR,220-24	SC	1
2-3	3		DC65-00008A	CLAMPER HOSE; SEW-DR605,SK5,-,ID14.2/T0.9	SNA	2
2-4	3	WH5267	DC67-00051B	HOSE-DRAWER; Q1636GW/XEU,EPDM,ID9.0,OD14.	SA	0
2-5	3		DC67-00327A	CAP-DRAWER HOOK; HEBA-PJT,EPDM,T1.1,W13.9	SNA	1

No.	Lvl.	Loc.	Material Code	Description & Specification	SNA	Qty.
2-6	3	WO0063	DC72-00021A	ABSORBER SPONGE; Q1635V,PE-FOAM,OD7.0,L20	SNA	1
2-7	3	WR0012	DC97-16006A	ASSY S.HOUSING DRAWER; SCOUT,WF0804Y8E,PP	SA	1
3	2	WR0005	DC97-16696A	ASSY DRAWER; ARNO,WF1124ZAC	SA	1
3-1	3	WC0114	DA64-03804A	MASCOT; ALL,NICKEL,T0.05,L65	SA	1
3-2	3	WR0029	DC61-02580A	BODY-DRAWER; WF0800NCE,PP,T2.0,L265.5,W15	SA	1
3-3	3	WR0038	DC64-02683A	HANDLE-DRAWER; ARNO,ABS,T2.0,DA-WHT	SNA	1
3-4	3	WC0123	DC64-02686A	PANEL-DRAWER; ARNO,ABS,T2.5,W201.5,L121.7	SNA	1
3-5	3	WI0125	DC67-00452A	CAP-RINSE; WF0800NCE,PP,W66.4,L219.2,ECO	SA	1

## 1.6. Small Parts

### Exploded View

						
1	2	3	4	5	6	7

### Parts List

No.	Lvl.	Loc.	Material Code	Description & Specification	SNA	Qty.
1	2	WI0293	DC61-01736A	HOLDER-WIRE; SEW-HKR149ATA,PA,128,NEW-K4	SA	1
2	2	WI0293	DC61-40083A	HOLDER-WIRE; DAWH-3ND,NYLON66,NTR(PI24.4)	SNA	1
3	2		DC61-00133A	CLAMPER HOSE-FIX; P1291,PP,-,HOSE+PLUG,BJ	SNA	1
4	2		DC61-00118A	CLAMPER HOSE-FIX; P1291,PA66,ID27,OD30	SNA	1
5	2		DC61-02879A	HOLDER-WIRE; WF8804CPA,PA,L58.6,NATURAL	SA	1
6	2	WI0295	DC61-60074A	HOLDER-WIRE; PA,-,NATURAL,-,rectangle	SA	1
7	3	WI0294	DC61-00553B	HOLDER-WIRE SADDLE; PA,NTR,NYLON66	SA	1