
5. Exploded Views and Parts List

[Material Code Standards]

Material codes and names and their respective naming rules are managed in accordance with the prescribed standards.

Please refer to these standards when requesting a material.

1. Material Code Type

(●: Number, ■: Letter (Alphabet))

Type 1: ●●●●-●●●●●● ex) 0204-000418 FREON

Type 2: ■■●●-●●●●■ ex) DC96-01390A ASSY-CONTROL

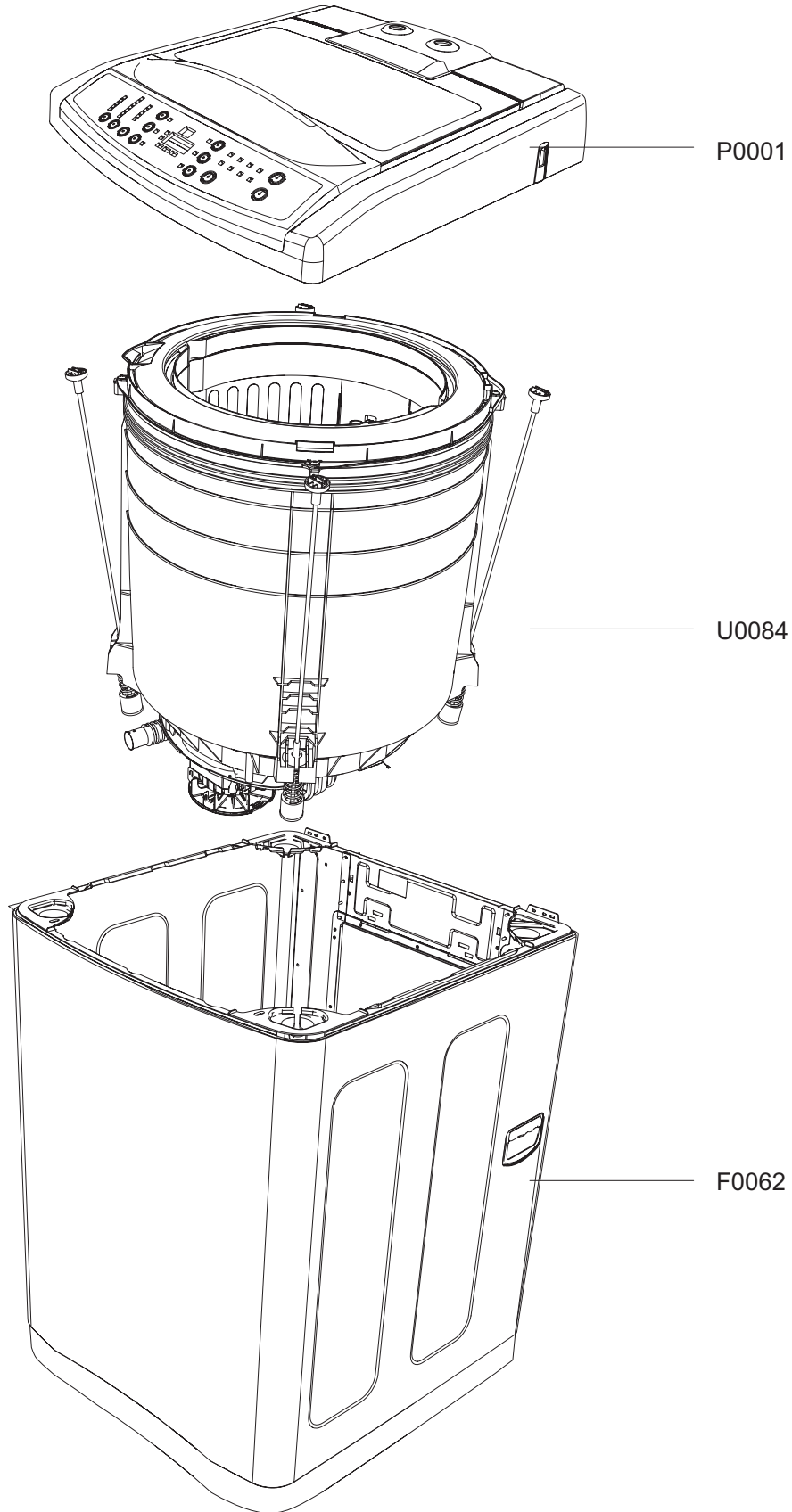
- ▶ Type 1: Enterprise-wide parts
Type 1 materials can be used for all Samsung Electronics products.
(Most electrical parts belong to this type.)
- ▶ Type 2: Division-wide parts (DC** - Washing machine)
Type 2 materials can be used for specific products.
(Most instruments and tools belong to this type.)

2. Ass'y Materials

: All ass'y material codes start with DC9*.

An ass'y material is created by combining more than two materials. If a requested material cannot be provided, you can request an ass'y material that contains that material.

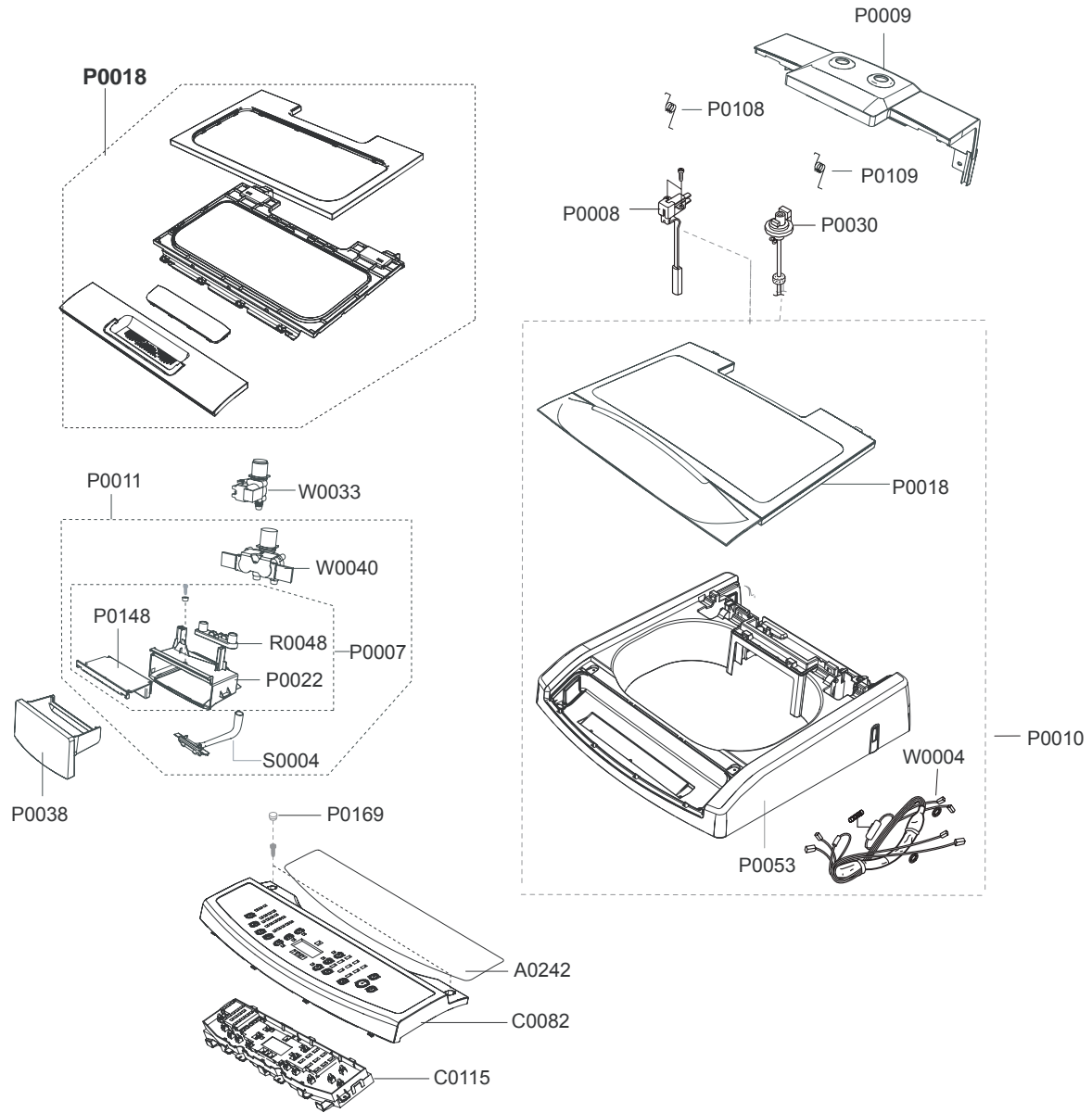
5-1. MAIN (BEST)



WA10VPWIP/YGG

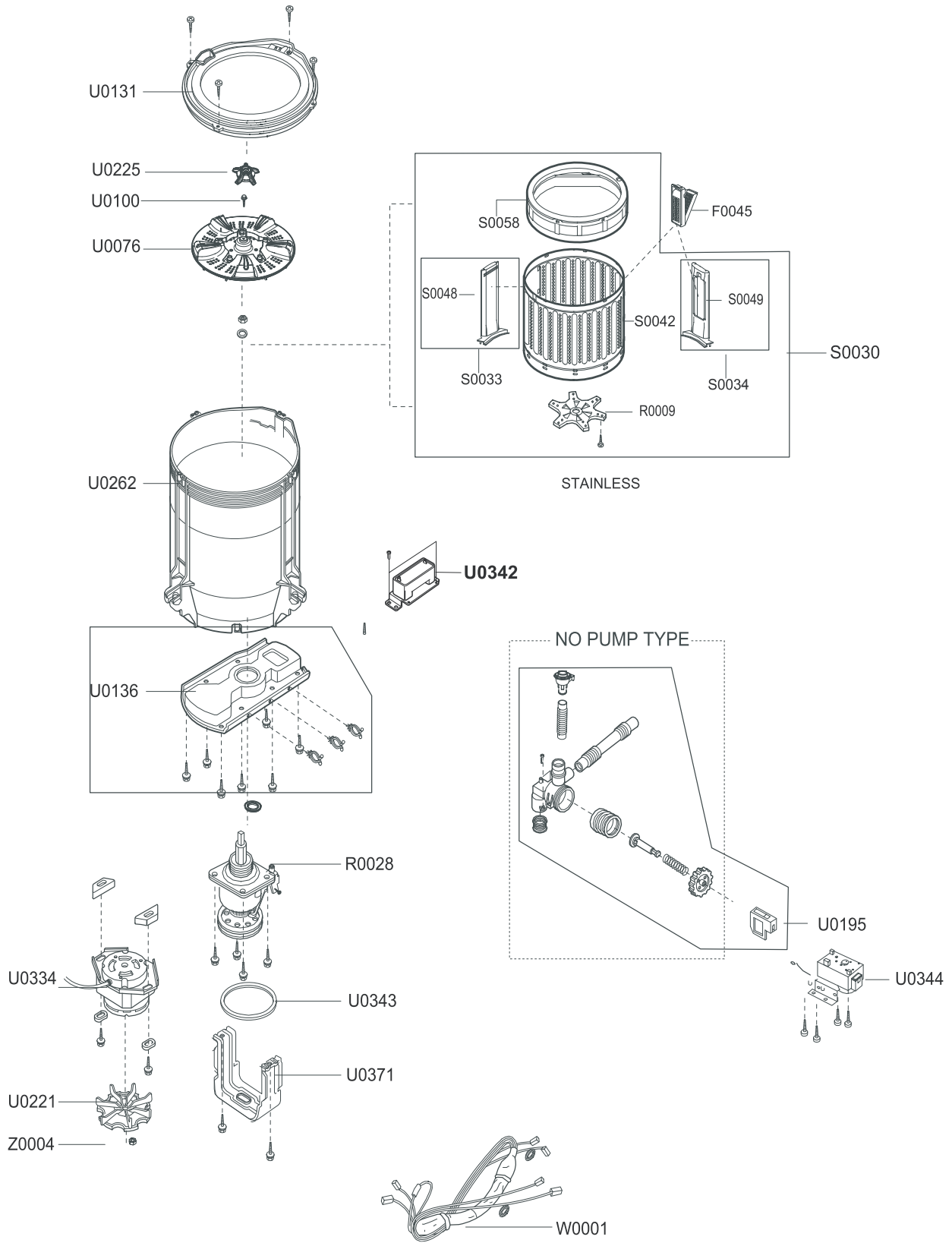
SVC-Code	Code No.	Description	Specification	Q'ty	SA/SNA
P0001	DC90-02754A	ASSY COVER TOP	PSD2/BEST 8KG,WA10VPWIP/Y	1	SNA
U0084	DC90-02776A	ASSY TUB	PSD2 / BEST 8 KG.,230V~50HZ/PUM	1	SNA
F0028	DC97-12769K	ASSY FRAME	POSEIDON 8-10 KG,PUMP,-,-,-,D	1	SA

5-2. ASSY COVER TOP (BEST)



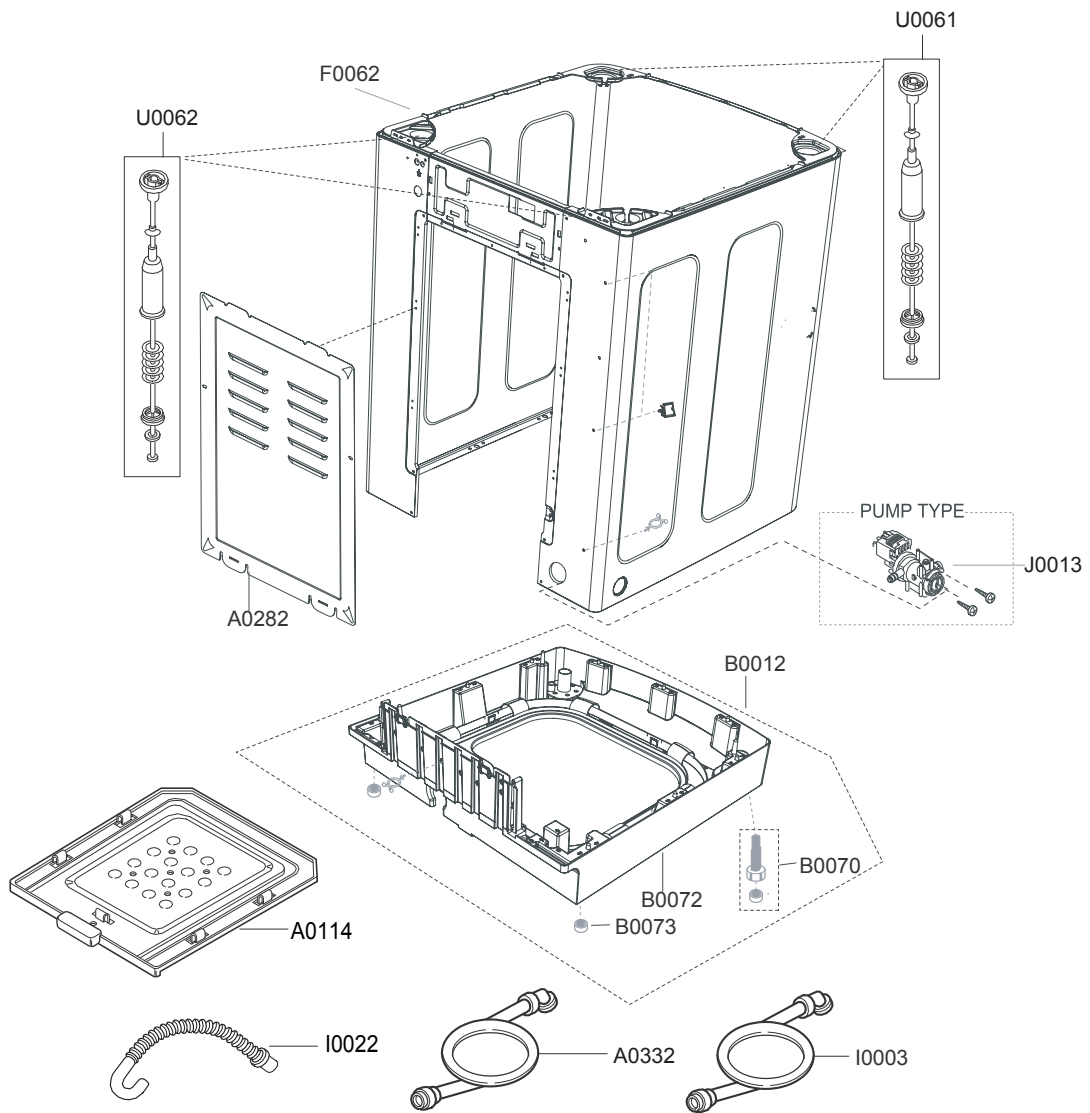
SVC-Code	Code No.	Description	Specification	Q'ty	SA/SNA
A0242	DC64-01751N	INLAY-PANEL	WA10VPWIP/YGG,PET,T0.2,DA WH	1	SA
C0082	DC64-02081F	PANEL-CONTROL	PSD2 10 KG BTT PJT,ABS,W49	1	SA
C0115	DC92-00216F	ASSY PCB PART(M)	PSD2-PJT,BEST 8 KG.,230	1	SA
P0007	DC97-13063C	ASSY BODY DETERGENT	POSEIDON 8-10 KG,BES	1	SNA
P0008	DC96-00156E	ASSY CHECKER S/W	SEW-MA100,NO COVER/PUSH	1	SA
P0009	DC97-15829H	ASSY COVER T.C	PSD2/BEST8,WA10VPWIP/YGG,	1	SA
P0010	DC97-15842A	ASSY SEMI COVER TOP	PSD2-PJT,BEST8-10KG/	1	SA
P0011	DC97-13065C	ASSY DETERGENT	POSEIDON-PJT(10KG),H+C/22	1	SA
P0018	DC97-15422H	ASSY LID T.C	PSD2-PJT,BETTER 8-10 KG./EX	1	SA
P0022	DC61-01767A	BODY-DETERGENT	POSEIDON-PJT(8-10kg)/BEST	1	SNA
P0030	DC32-30006V	SENSOR PRESSURE	DN-S23,BP8-PJT,8KG,5,5,D	1	SA
P0038	DC61-01771E	CASE-DETERGENT	POSEIDON-PJT(8-10 KG),ABS	1	SA
P0053	DC63-00790E	COVER-TOP	POSEIDON-PJT / 8-10 KG,ABS,T2.	1	SA
P0108	DC61-00342E	SPRING ETC-Q(L)	POSEIDON-BIG,HSWR,CD1.6,	1	SA
P0109	DC61-00343J	SPRING ETC-Q(R)	POSEIDON-BIG,HSWR,CD1.6,	1	SA
P0148	DC61-01769A	GUIDE-WATER	POSEIDON-PJT(8kg),PP,T2.0,-,	1	SA
P0169	DC67-00347C	CAP-SCREW	POSEIDON2-PJT,SILICONE,-,W12.8	2	SNA
P0177	DC62-40167A	SEAL-WATER	-,PE-FORM,-,-,-,PI40XPI25XT	2	SNA
S0004	DC97-13074A	ASSY NOZZLE	POSEIDON-PJT(10KG),-,BEST,-,	1	SNA
W0004	DC96-01367A	ASSY M. WIRE HARNESS	POSEIDON 10,-,-,H+C	1	SA
W0032	DC62-00217D	VALVE-WATER	POSEIDON(8~10Kg),PP,-,3~25,-	1	SA
W0033	DC62-00024Z	VALVE-WATER	V-1262 / 2WAY,NYLON#6 GF30%,	1	SA

5-3. ASSY-TUB



SVC-Code	Code No.	Description	Specification	Q'ty	SA/SNA
F0045	DC97-00114J	ASSY FILTER	KS6/BP5-WIDE,SILVER RESIN,-,	1	SA
R0009	DC60-00045A	FLANGE-SHAFT	POSEIDON-PJT(8kg),ALDC,-,-,	1	SA
R0028	DC97-00663D	ASSY SHAFT	TD8-PJT,SEM-10TH/TSE,-,-,-,-	1	SA
S0030	DC97-15345A	ASSY BASKET SPIN	POSEIDON2-PJT,8 KG/STS4	1	SA
S0033	DC97-13076F	ASSY GUIDE W.F	POSEIDON 8 KG,GUIDE-W.F(F	1	SA
S0034	DC97-13076H	ASSY GUIDE W.F	POSEIDON 8 KG,GUIDE-W.F(F	1	SA
S0042	DC61-02152B	BASKET-WRAPPER	POSEIDON 2,STS430,T0.4,-,	1	SNA
S0048	DC61-01709A	GUIDE-W.F	POSEIDON-PJT(8kg),PP,-,-,-,-,F	1	SNA
S0049	DC61-01708A	GUIDE-W.F	POSEIDON-PJT(8kg),PP,-,-,-,-,M	1	SNA
S0058	DC97-14174A	ASSY BALANCER	POSEIDON-PJT(10kg),KTL-GRY	1	SA
U0076	DC97-13078B	ASSY PULSATOR	POSEIDON-PJT(10kg)/P,PERFE	1	SA
U0100	DC60-40133A	BOLT-PULSATOR	AUTOMATIC 8-10kg,STS430,-,	1	SA
U0131	DC63-00762A	COVER-TUB	POSEIDON-PJT(8kg),PP,-,-,-,-,-	1	SA
U0136	DC61-01703A	DIE-MOTOR	POSEIDON-PJT,SBHG1-A,T1.8	1	SA
U0195	DC66-30024A	LINK-DRAIN	PP,L66.5,SEW-PB10	1	SA
U0221	DC66-00480A	PULLEY-MOTOR	POSEIDON-PJT,ALDC12,50Hz,-,	1	SA
U0225	DC67-00248A	CAP-PULSATOR	POSEIDON-PJT,PP,-,-,-,KTM/G	1	SA
U0262	DC61-01690B	TUB-OUTER	POSEIDON 8-10 KG,PP-BJ730,-,-,	1	SNA
U0334	DC31-00046E	MOTOR INDUCTION-WASHIN	POSEIDON10,WAS25	1	SA
U0342	DC75-00010L	CONDENSER-M.F	450VAC 11MFD,-,-,-,-,W128,	1	SA
U0343	DC66-10142A	BELT-V	STATIC,M22,-,SEW-60FX,-	1	SA
U0344	DC31-20014A	MOTOR DRAIN	KD-SM22TA,220~240V,50Hz~60Hz	1	SA
U0371	DC61-40054D	SUPPORT-SADDLE	MV-PJT,HGI,T1.0,-,-,-,SEM	1	SA
W0001	DC96-01369A	ASSY WIRE HARNESS	POSEIDON-PJT/(8-10kg,-	1	SA
Z0004	DC60-50153A	NUT-HEX	-,FE,M8,-,-,-,FZY,-,-	1	SA

5-4. ASSY PAINT / ASSY BASE / ASSY CASE (BEST)



SVC-Code	Code No.	Description	Specification	Q'ty	SA/SNA
A0282	DC61-10571B	COVER-BACK	-,SBHG1-A,-,-,-,-,-,EDGE-BEND	1	SA
A0332	DC62-10290B	HOSE-WATER(H)	WIP4013SRW,PVC+NYLON,ID10.	1	SA
B0012	DC97-12755A	ASSY BASE	POSEIDON-PJT(8KG),LOW/NIGHT-GR	1	SA
B0070	DC97-12754A	ASSY LEG	POSEIDON-PJT(8KG),NTR,-,-,-,-,-	2	SA
B0072	DC61-01774A	BASE	POSEIDON-PJT,PP 440J,LOW,-,-,-,NIGHT-	1	SA
B0073	DC61-50015B	LEG-RUBBER	BUTYL,SW70A1,BLK	2	SNA
F0028	DC97-12769K	ASSY FRAME	POSEIDON 8-10 KG,PUMP,-,-,-,-,D	1	SA
I0003	DC62-10289B	HOSE-WATER(C)	WIP4013SRW,PVC+NYLON,ID10.	1	SA
I0022	DC97-09447A	ASSY HOSE(O)	ALL MODEL(NEW),-,PP+EVA,-,-,-	1	SA
J0013	DC96-01550A	ASSY PUMP DRAIN	AUTO 8 KG,270/BLK/A TYPE	1	SA
U0061	DC91-11771U	ASSY DAMPER	POSEIDON-10KG,LEFT,-,-,-,L592.	2	SA
U0062	DC91-11771F	ASSY DAMPER	SEW-7G/SW90V,REAR,-,-,-,-,-	2	SA
W0002	DC90-10065B	ASSY POWER CORD	UCP2,250V/7A,-,-,L182/ONE	1	SA