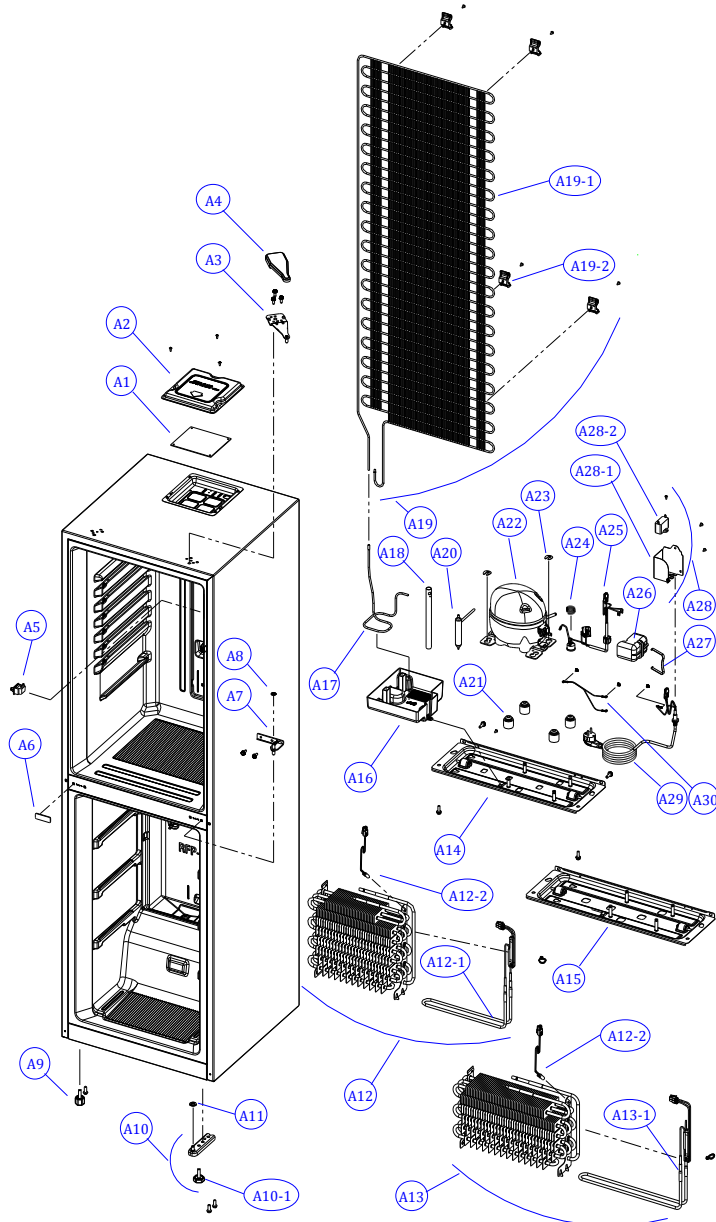


6. PART LIST

6-1. Cabinet / Evaporator / Compressor Compartment

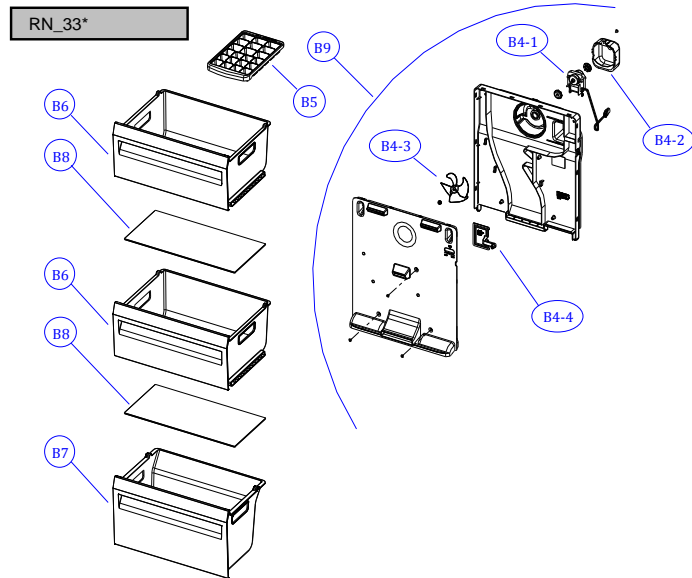
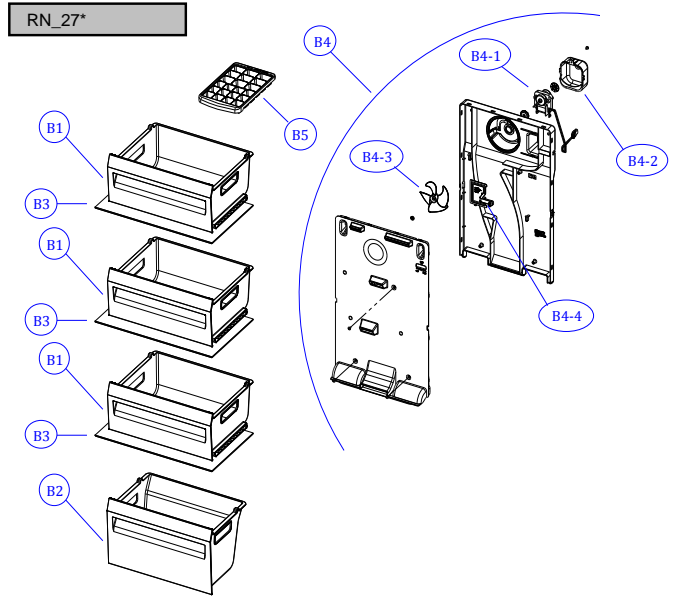


NO	PART-CODE	PART NAME	SPEC.	Q'ty	
				RN_27*	RN_33*
A1	30143KW060	PCB MAIN AS	RFP-301	1	1
A2	301149CB00	COVER M/PCB BOX AS	SECC (WHITE)	1	1
	301149CB10		SECC (GRAY)		
	301149CB20		SECC (BLACK)		
A3	3012937900	HINGE *T AS	RFP-301	1	1
A4	3001448500	COVER HI *T	PP (WHITE)	1	1
	3001448510		PP (GRAY)		
	3001448520		PP (BLACK)		
A5	301179DP00	DOOR S/W AS	HC-050K4 250V2.5A	1	1
A6	3010937720	CAP DV HI HOLE *M	HIPS	1	1
A7	3012938000	HINGE *M AS	RFP-301	1	1
A8	3016044410	SPECIAL WASHER *M HI	SGCC, T1.0 x I.D9.0 x O.D15	1	1
A9	3012106500	FOOT ADJ *L AS	PP+INSERT	1	1
A10	3012938100	HINGE *U AS	RFP-301	1	1
A10-1	3012105300	FOOT ADJ AS	PP+INSERT	1	1
A11	3816000200	SPECIAL WASHER	SPCC T1.0 x O.D21 x I.D8 MFZN	1	1
A12	3017069800	EVA AS	RFP-241(230V 130W)	1	0
A12-1	3012831100	HEATER SHEATH AS	RFP-241(230V 130W)	1	0
A12-2	3012764100	HARNES D SENS	RFP-340(NBC-K43-24)	1	1
A13	3017070000	EVA AS	RFP-301(230V 130W)	0	1
A13-1	3012831200	HEATER SHEATH AS	RFP-301(230V 130W)	0	1
A14	3010365200	BASE COMP AS	RFP-241	1	0
A15	3010365500		RFP-301	0	1
A16	301119VJ00	CASE VAPORI AS	RFP-301	1	1
A17	3014479400	PIPE CONN A	DUCT1-0 OD4.76*TO.5	1	1
A18	3012513950	HOSE DRN B	PVC	1	1
A19	3014480010	PIPE WI-CON AS	RFP-301	1	1
A19-1	3014480000	PIPE WI-CON SAS	RFP-301	1	1
A19-2	3012041500	FIXTURE W-ICON	HIPS	4	4
A20	3016808200	DRYER AS	10G, SINGLE TUBE	1	1
A21	3010103400	ABSORBER COMP	RUBBER	4	4
A22	3956188C50	COMPRESSOR	LZ88CY(QLZ12Y) 220-240V 50HZ	1	1
A23	4019H09031	SPECIAL WASHER	SWRH	2	2
A24	3015103900	SPRING OVERLOAD PROTECTOR	LZ88CY OLP FIXING	1	1
A25	3018134600	SWITCH P RELAY AS	B60-120, QP2-15C(RSCR DONPER)	1	1
A26	3811402600	COVER RELAY	LZ88CY	1	1
A27	3015103800	SPRING COVER RELAY	LZ88CY COVER RELAY FIXING	1	1
A28	3010583700	BOX POWER AS	RFP-301(400V/4UF)	1	1
A28-1	3010552101	BOX POWER	GI/TO.5	1	1
A28-2	3016406010	CAPACITOR RUN	DMF-40405(400V 4UF)	1	1
A29	3011349001	CORD POWER AS	BS-1363A,M-240(N),250V/13A,BLACK	1	1
	3011348111	*dependent on the contry	FR-290, 250V 10/16A		
A30	3012763210	HARNES EARTH COMP	FRM-241, L140	1	1

* Please check the color, some parts code color dependent.

6. PART LIST

6-2. Frozen Food Compartment



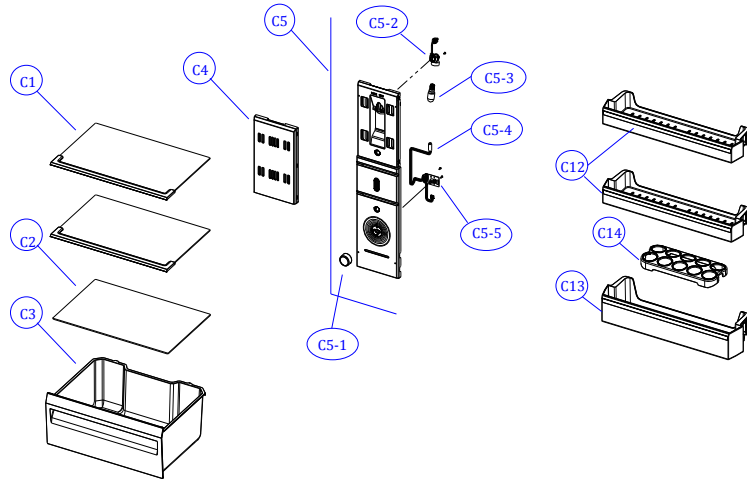
NO	PART-CODE	PART NAME	SPEC.	Q'ty	
				RN_27*	RN_33*
B1	301119UX00	CASE F A	GPPS(CRYSTAL)	3	0
	301119UX10		GPPS(GRAY)		
	301119UX20		GPPS(BLUE)		
B2	301119UY00	CASE F B	GPPS(CRYSTAL)	1	0
	301119UY10		GPPS(GRAY)		
	301119UY20		GPPS(BLUE)		
B3	3017861400	SHELF GLAS F	GLASS T3.2 RFP-241	3	0
B4	3018932200	LOUVER F AS	RFP-241(AC 230V 50HZ)	1	0
B4-1	3015922200	MOTOR F AS	AC220V/50HZ,2500RPM	1	1
B4-2	3010664700	BRACKET FAN MOTR	PP, T2.0 (AC)	1	1
B4-3	3011835900	FAN	OD100,SHAFT OD3.17	1	1
B4-4	3013415800	KNOB F CONTL	PP	1	1
B5	3010564910	CASE ICEING AS	CASE ICEING+VINYL	1	1
B6	301119V100	CASE F A	GPPS(CRYSTAL)	0	2
	301119V110		GPPS(GRAY)		
	301119V120		GPPS(BLUE)		
B7	301119V200	CASE F B	GPPS(CRYSTAL)	0	1
	301119V210		GPPS(GRAY)		
	301119V220		GPPS(BLUE)		
B8	3017861500	SHELF GLAS F	GLASS T3.2 RFP-301	0	2
B9	3018932500	LOUVER F AS	RFP-301(AC 230V 50HZ)	0	1

* Please check the color, some parts code color dependent.

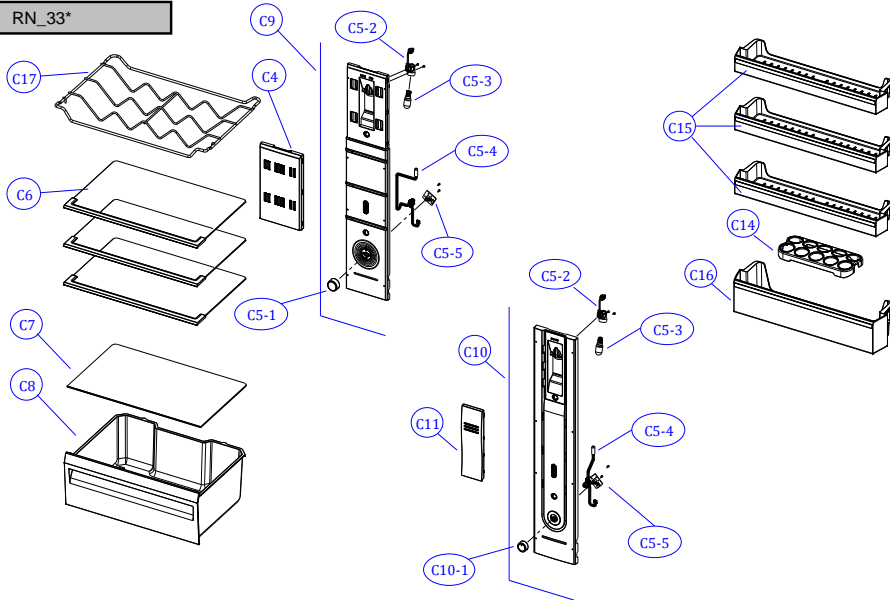
6. PART LIST

6-3. Fresh Food Compartment

RN_27*



RN_33*



NO	PART-CODE	PART NAME	SPEC.	Q'ty		
				RN_27*	RN_331/2/3/4/5/6	RN_33 NEW
C1	3017860900	SHELF R AS	RFP-241	2	0	0
C2	301119U200	CASE GLAS VEGTB	T3.2	1	0	0
C3	301119UW00	CASE VEGTB	GPPS(CRYSTAL)	1	0	0
	301119UW10		GPPS(GRAY)			
	301119UW20		GPPS(BLUE)			
C4	3015523800	WINDOW M/FLOW DUCT	GPPS	1	1	0
C5	3001448400	COVER M/FLOW DUCT AS	RFP-241	1	0	0
C5-1	3013415700	KNOB R CONTL	HIPS + PRINT	1	1	0
C5-2	3017903900	SOCKET LAMP AS		1	1	1
C5-3	3013600020	LAMP AS	15W (E14,CC7A)	1	1	1
C5-4	3012783300	HARNESS PCB VOLUME AS	R SENSOR' + 'Wire lead'	1	1	1
C5-5	30143KW260	PCB VOLUME AS	BALLISTA VOLUME	1	1	1
C6	3017861100	SHELF R AS	RFP-241	0	3	3
C7	301119V400	CASE GLAS VEGTB	T3.2	0	1	1
C8	301119V000	CASE VEGTB	GPPS(CRYSTAL)	0	1	1
			GPPS(GRAY)			
			GPPS(BLUE)			
C9	301149C400	COVER M/FLOW DUCT AS	RFP-301	0	1	0
C10	301149CE00	COVER M/FLOW DUCT AS	RFP-30F	0	0	1
C10-1	3013415900	KNOB R CONTL	HIPS, RFP-30F	0	0	1
C11	3015523900	WINDOW M/FLOW DUCT	GPPS	0	0	1
C12	3019068500	POCKET R	GPPS(CRYSTAL)	2	0	0
			GPPS(GRAY)			
			GPPS(BLUE)			
C13	3019068600	POCKET J	GPPS(CRYSTAL)	1	0	0
			GPPS(GRAY)			
			GPPS(BLUE)			
C14	3011190800	CASE EGG TRAY	GPPS(CRYSTAL)	1	1	1
C15	3019068700	POCKET R	GPPS(CRYSTAL)	0	3	3
			GPPS(GRAY)			
			GPPS(BLUE)			
C16	3019068800	POCKET J	GPPS(CRYSTAL)	0	1	1
			GPPS(GRAY)			
			GPPS(BLUE)			
C17	3017861900	SHELF WINE	SUS 204	0	1(OPTION)	1(OPTION)

* Please check the color, some parts code color dependent.

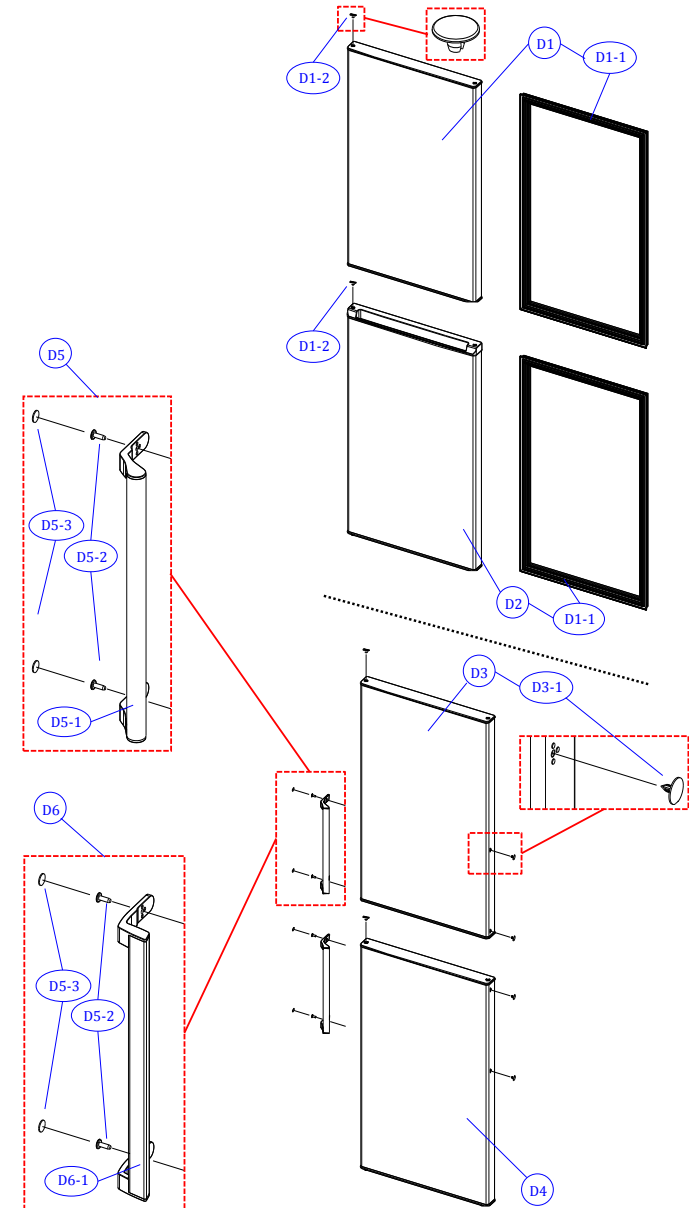
6. PART LIST

6-4. Door Compartment

6-4-1. RN_27* Models

NO	PART-CODE	PART NAME	SPEC.	Q'ty			
				RN_271	RN_272	RN_273	RN_274
D1	30100B9M00	ASSY R DR	WHITE(DWG1C)	1	0	0	0
	30100B9M30		AL SILVER(ASG4P)				
	30100B9M40		TITANIUM SILVER(TSH1P)				
	30100B9M50		BLACK(BLH1C)				
	30100B9M60		PLATINUM SILVER(PSH1P)				
D1-1	3012330800	GASKET F R DR AS	RFP-241(GRAY)	2	2	2	2
	3012330710		RFP-241(BLACK)				
D1-2	3011450300	COVER CAP HOLE A	ABS(WHITE)	2	2	2	2
	3011450310		ABS(SILVER)				
	3011450340		ABS(BLACK)				
D2	30100B9L00	ASSY F DR	WHITE(DWG1C)	1	0	0	0
	30100B9L30		AL SILVER(ASG4P)				
	30100B9L40		TITANIUM SILVER(TSH1P)				
	30100B9L50		BLACK(BLH1C)				
	30100B9L60		PLATINUM SILVER(PSH1P)				
D3	30100B9M20	ASSY R DR	WHITE(DWG1C)	0	1	1	0
	30100B9MB0		AL SILVER(ASG4P)				
	30100B9MC0		TITANIUM SILVER(TSH1P)				
	30100B9MD0		BLACK(BLH1C)				
	30100B9ME0		PLATINUM SILVER(PSH1P)				
D3-1	301099BV00	CAP DR	ABS(WHITE)	0	4	4	4
	301099BV10		ABS(SILVER)				
	301099BV20		ABS(BLACK)				
D4	30100B9L20	ASSY F DR	WHITE(DWG1C)	0	1	1	0
	30100B9M70		AL SILVER(ASG4P)				
	30100B9M80		TITANIUM SILVER(TSH1P)				
	30100B9M90		BLACK(BLH1C)				
	30100B9MA0		PLATINUM SILVER(PSH1P)				
D5	3014011300	PACKING HNDL AS (*AL BAR TYPE)	DECO(WHITE)+BAR(NATURAL)	0	1	0	0
	3014011310		DECO(BLACK)+BAR(BLACK)				
	3014011320		DECO(SILVER)+BAR(NATURAL)				
	3014011330		DECO(TITANIUM)+BAR(TITANIUM)				
D5-1	3012659700	HANDLE BAR AS (*AL BAR TYPE)	AL(HAIR LINE+NATURAL COLOR)	0	2	0	0
	3012659710		AL(HAIR LINE+BLACK)				
	3012659720		AL(HAIR LINE+NATURAL COLOR)				
	3012659730		AL(HAIR LINE+TITANIUM SILVER)				
D5-2	3016040500	SPECIAL GRIP HNDL	M5XL16 MFZN	0	4	4	4
D5-3	3010985200	CAP HNDL	ABS (WHITE)	0	4	4	4
	3010985210		ABS (SILVER)				
	3010985220		ABS (BLACK)				

* Please check the color, some parts code color dependent.



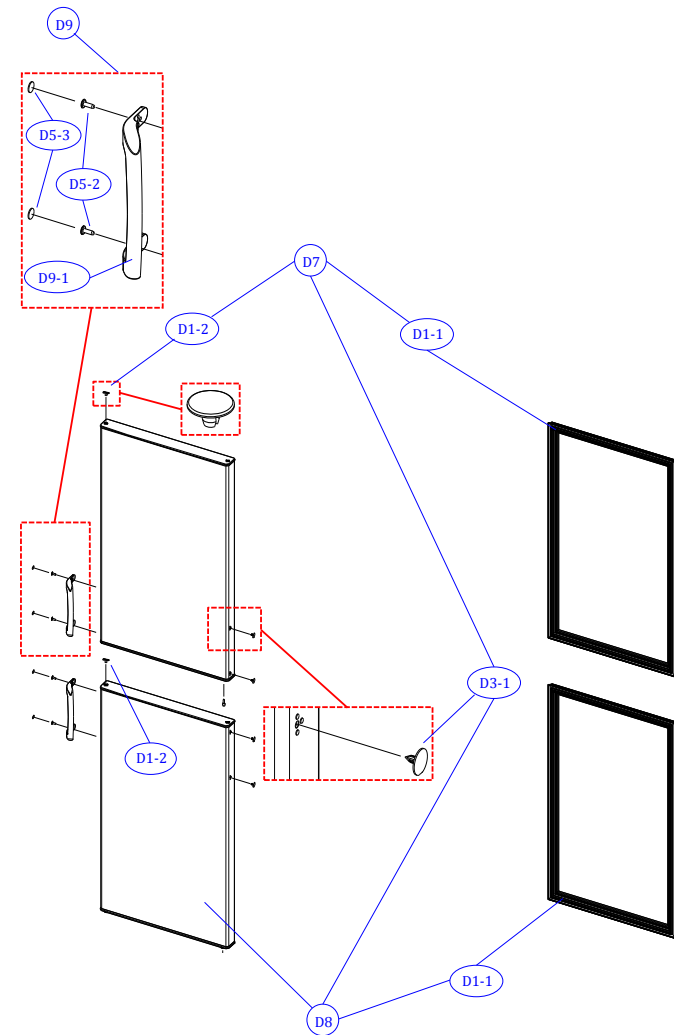
6. PART LIST

6-4. Door Compartment

6-4-1. RN_27* Models

NO	PART-CODE	PART NAME	SPEC.	Q'ty			
				RN_271	RN_272	RN_273	RN_274
D6	3014011400	PACKING HNDL AS	WHITE	0	0	1	0
	3014011410	(*ABS BAR TYPE)	BLACK				
	3014011420		SILVER				
	3014011430		TITANIUM SILVER				
D6-1	3012659800	HANDLE BAR AS	WHITE	0	0	2	0
	3012659810	(*ABS BAR TYPE)	BLACK				
	3012659820		SILVER				
	3012659830		TITANIUM SILVER				
D7	30100B9M10	ASSY R DR	WHITE(DWG1C)	0	0	0	1
	30100B9MF0		AL SILVER(ASG4P)				
	30100B9MG0		TITANIUM SILVER(TSH1P)				
	30100B9MH0		BLACK(BLH1C)				
	30100B9MJ0		PLATINUM SILVER(PSH1P)				
D8	30100B9L10	ASSY F DR	WHITE(DWG1C)	0	0	0	1
	30100B9L70		AL SILVER(ASG4P)				
	30100B9L80		TITANIUM SILVER(TSH1P)				
	30100B9L90		BLACK(BLH1C)				
	30100B9LA0		PLATINUM SILVER(PSH1P)				
D9	3014011100	PACKING HNDL AS	RFP-304, WHITE	0	0	0	1
	3014011110	(*GAS INJECTION TYPE)	RFP-304, SILVER				
	3014011120		RFP-304, BLACK				
D9-1	3012659300	HANDLE	ABS, WHITE	0	0	0	2
	3012659310	(*GAS INJECTION TYPE)	ABS, SILVER				
	3012659320		ABS, BLACK				

* Please check the color, some parts code color dependent.



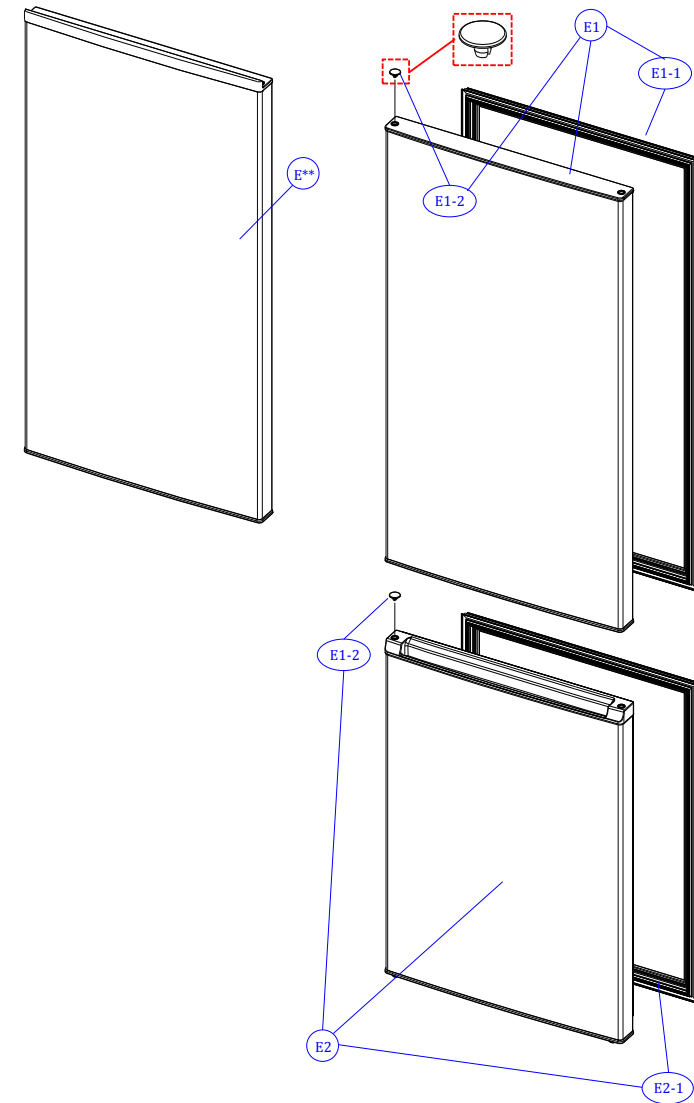
6. PART LIST

6-4. Door Compartment

6-4-2. RN_33* Models

NO	PART-CODE	PART NAME	SPEC.	Q'ty						
				RN_331	RN_332	RN_333	RN_334	RN_335	RN_336	Hidden Hinge
E1	30100B9Y00	ASSY R DR	WHITE(DWG1C)	1	0	0	0	0	0	0
	30100B9Y40		AL SILVER(ASG4P)							
	30100B9Y50		TITANIUM SILVER(TSH1P)							
	30100B9Y60		BLACK(BLH1C)							
	30100B9Y70		PLATINUM SILVER(PSH1P)							
E1-1	3012331000	GASKET R DR AS	RFP-241(GRAY)	1	1	1	1	1	1	1
	3012331010		RFP-241(BLACK)							
E1-2	3011450300	COVER CAP HOLE A	ABS(WHITE)	2	2	2	2	2	2	1
	3011450310		ABS(SILVER)							
	3011450340		ABS(BLACK)							
E2	30100B9X00	ASSY F DR	WHITE(DWG1C)	1	0	0	0	0	0	1
	30100B9X30		AL SILVER(ASG4P)							
	30100B9X40		TITANIUM SILVER(TSH1P)							
	30100B9X50		BLACK(BLH1C)							
	30100B9X60		PLATINUM SILVER(PSH1P)							
E2-1	3012330900	GASKET F R DR AS	RFP-241(GRAY)	1	1	1	1	1	1	1
	3012330910		RFP-241(BLACK)							
E**	-	ASSY R DR	WHITE(DWG1C)	0	0	0	0	0	0	1
	-		AL SILVER(ASG4P)							
	-		TITANIUM SILVER(TSH1P)							
	-		BLACK(BLH1C)							
	-		PLATINUM SILVER(PSH1P)							

* Please check the color, some parts code color dependent.

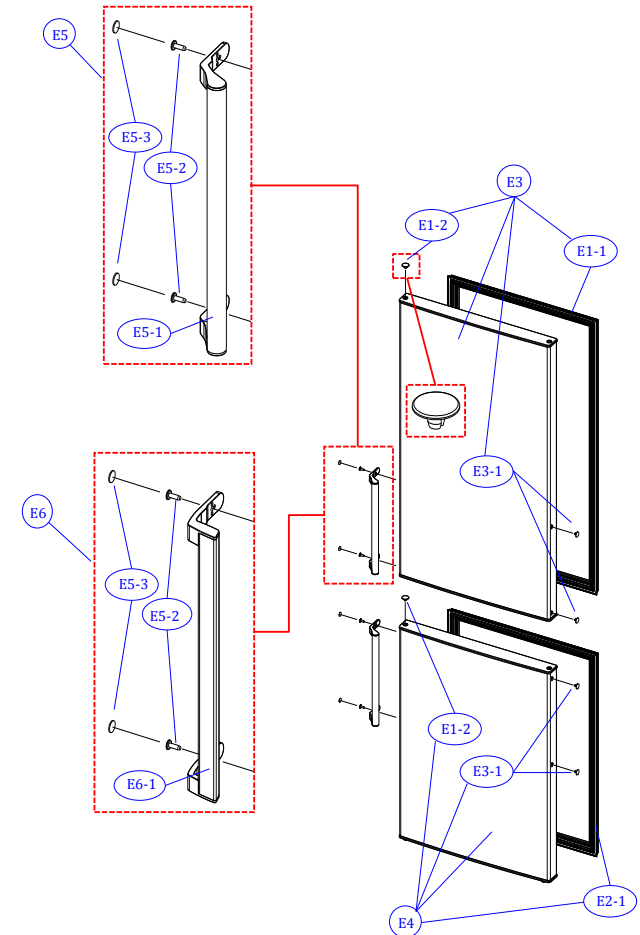


6. PART LIST

6-4. Door Compartment

6-4-2. RN_33* Models

NO	PART-CODE	PART NAME	SPEC.	Q'ty						
				RN_331	RN_332	RN_333	RN_334	RN_335	RN_336	Hidden Hinge
E3	30100B9Y20	ASSY R DR	WHITE(DWG1C)	0	1	1	0	0	0	0
	30100B9YL0		WHITE(DWH1L)							
	30100B9YC0		AL SILVER(ASG4P)							
	30100B9YD0		TITANIUM SILVER(TSH1P)							
	30100B9YE0		BLACK(BLH1C)							
	30100B9YF0		PLATINUM SILVER(PSH1P)							
E3-1	301099BV00	CAP DR	ABS(WHITE)	0	4	4	4	0	0	0
	301099BV10		ABS(SILVER)							
	301099BV20		ABS(BLACK)							
E4	30100B9X20	ASSY F DR	WHITE(DWG1C)	0	1	1	0	0	0	0
	30100B9XB0		WHITE(DWH1L)							
	30100B9Y80		AL SILVER(ASG4P)							
	30100B9Y90		TITANIUM SILVER(TSH1P)							
	30100B9YA0		BLACK(BLH1C)							
	30100B9YB0		PLATINUM SILVER(PSH1P)							
E5	3014011300	PACKING HNDL AS (*AL BAR TYPE)	DECO(WHITE)+BAR(NATURAL)	0	1	0	0	0	0	1(OPTION)
	3014011310		DECO(BLACK)+BAR(BLACK)							
	3014011320		DECO(SILVER)+BAR(NATURAL)							
	3014011330		DECO(TITANIUM)+BAR(TITANIUM)							
E5-1	3012659700	HANDLE BAR AS (*AL BAR TYPE)	AL(HAIR LINE+NATURAL COLOR)	0	2	0	0	0	0	2(OPTION)
	3012659710		AL(HAIR LINE+BLACK)							
	3012659720		AL(HAIR LINE+NATURAL COLOR)							
	3012659730		AL(HAIR LINE+TITANIUM SILVER)							
E5-2	3016040500	SPECIAL GRIP HNDL	M5XL16 MFZN	0	4	4	4	0	0	4(OPTION)
E5-3	3010985200	CAP HNDL	ABS (WHITE)	0	4	4	4	0	0	4(OPTION)
	3010985210		ABS (SILVER)							
	3010985220		ABS (BLACK)							
E6	3014011400	PACKING HNDL AS (*ABS BAR TYPE)	WHITE	0	0	1	0	0	0	1(OPTION)
	3014011410		BLACK							
	3014011420		SILVER							
	3014011430		TITANIUM SILVER							
E6-1	3012659800	HANDLE BAR AS (*ABS BAR TYPE)	WHITE	0	0	2	0	0	0	2(OPTION)
	3012659810		BLACK							
	3012659820		SILVER							
	3012659830		TITANIUM SILVER							



* Please check the color, some parts code color dependent.

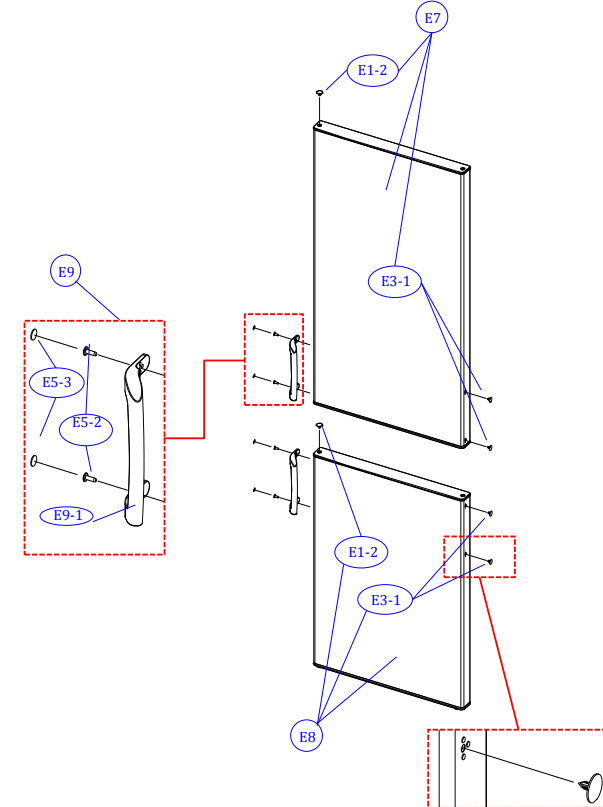
6. PART LIST

6-4. Door Compartment

6-4-2. RN_33* Models

NO	PART-CODE	PART NAME	SPEC.	Q'ty						
				RN_331	RN_332	RN_333	RN_334	RN_335	RN_336	Hidden Hinge
E7	30100B9Y10	ASSY R DR	WHITE(DWG1C)	0	0	0	1	0	0	0
	30100B9YG0		AL SILVER(ASG4P)							
	30100B9YH0		TITANIUM SILVER(TSH1P)							
	30100B9YJ0		BLACK(BLH1C)							
	30100B9YK0		PLATINUM SILVER(PSH1P)							
E8	30100B9X10	ASSY F DR	WHITE(DWG1C)	0	0	0	1	0	0	0
	30100B9X70		AL SILVER(ASG4P)							
	30100B9X80		TITANIUM SILVER(TSH1P)							
	30100B9X90		BLACK(BLH1C)							
	30100B9XA0		PLATINUM SILVER(PSH1P)							
E9	3014011100	PACKING HNDL AS (*GAS INJECTION TYPE)	RFP-304, WHITE	0	0	0	1	0	0	1(OPTION)
	3014011110		RFP-304, SILVER							
	3014011120		RFP-304, BLACK							
E9-1	3012659300	HANDLE (*GAS INJECTION TYPE)	ABS, WHITE	0	0	0	2	0	0	2(OPTION)
	3012659310		ABS, SILVER							
	3012659320		ABS, BLACK							

* Please check the color, some parts code color dependent.



6-4-2. RN_33* Models

NO	PART-CODE	PART NAME	SPEC.	Q'ty						
				RN_331	RN_332	RN_333	RN_334	RN_335	RN_336	Hidden Hinge
E10	30000CPM00	ASSY R DR	WHITE(DWG1C)	0	0	0	0	1	0	0
	30000CPM10		AL SILVER(ASG4P)							
	30000CPM20		TITANIUM SILVER(TSH1P)							
	30000CPM30		BLACK(BLH1C)							
	30000CPM40		PLATINUM SILVER(PSH1P)							
E11	30000CPN00	ASSY F DR	WHITE(DWG1C)	0	0	0	0	1	0	0
	30000CPN10		AL SILVER(ASG4P)							
	30000CPN20		TITANIUM SILVER(TSH1P)							
	30000CPN30		BLACK(BLH1C)							
	30000CPN40		PLATINUM SILVER(PSH1P)							
E12	30000CPP00	ASSY R DR	WHITE(DWG1C)	0	0	0	0	0	1	0
	30000CPP10		AL SILVER(ASG4P)							
	30000CPP20		TITANIUM SILVER(TSH1P)							
	30000CPP30		BLACK(BLH1C)							
	30000CPP40		PLATINUM SILVER(PSH1P)							
E13	30000CPQ00	ASSY F DR	WHITE(DWG1C)	0	0	0	0	0	1	0
	30000CPQ10		AL SILVER(ASG4P)							
	30000CPQ20		TITANIUM SILVER(TSH1P)							
	30000CPQ30		BLACK(BLH1C)							
	30000CPQ40		PLATINUM SILVER(PSH1P)							

* Please check the color, some parts code color dependent.

*Some parts can be changed for improving without notice.

Date	Note

