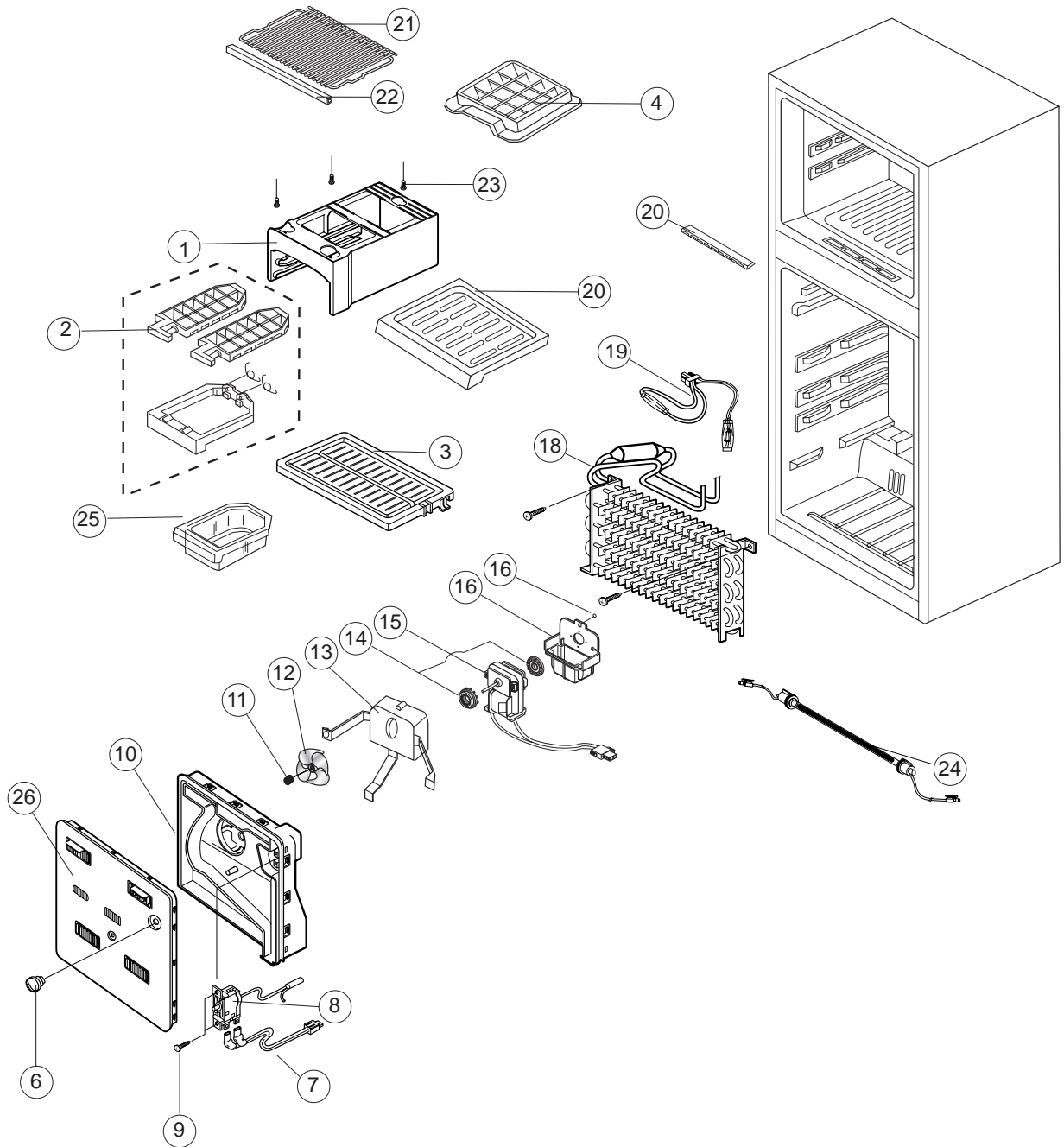
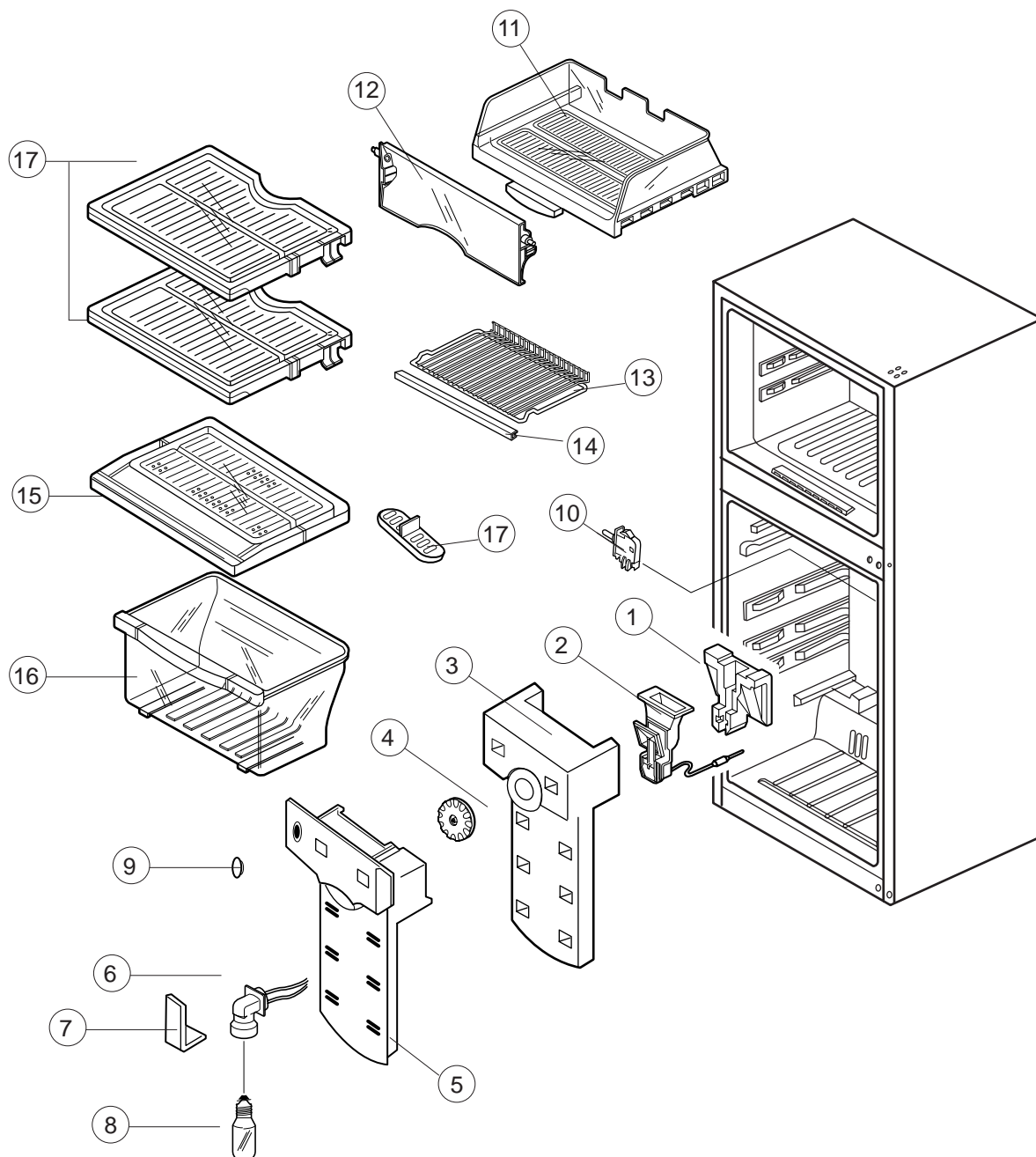

11. Exploded View & Parts List

11-1 Freezing compartment



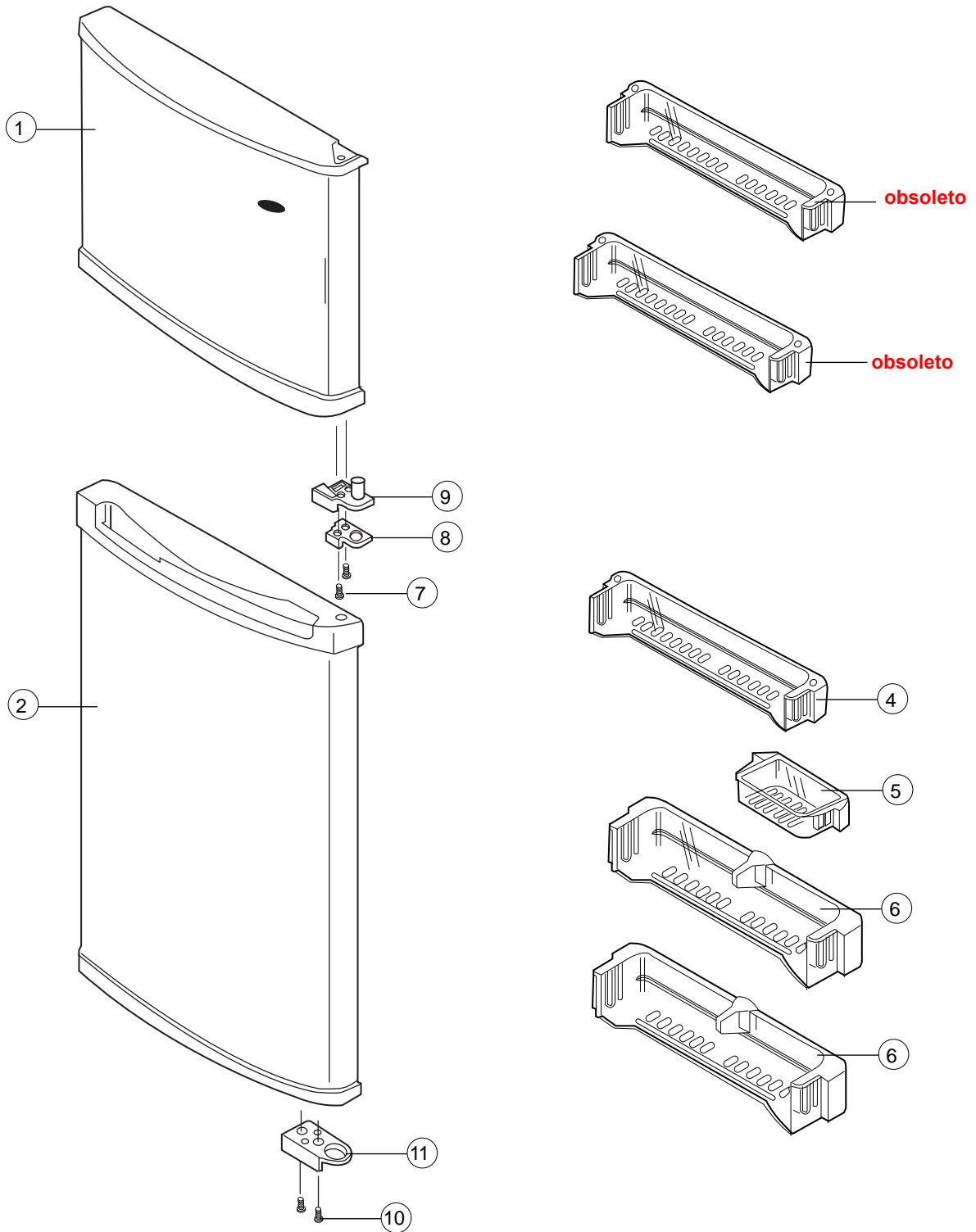
NO	CODE-NO	Items	Specifications	N-SAFETY						Safety		Asstrlia	
				110-127V/60Hz		220V/50Hz		230V/50Hz		230V/50Hz		230V/50Hz	
				SR-21 NME	SR-24 NME	SR-21 NME	SR-24 NME	SR-21 NME	SR-24 NME	SR-21 NME	SR-24 NME	SR-21 NME	SR-24 NME
1	DA61-70264A	SUPT-TRAY ICE	HIPS	1	1	1	1	1	1	1	1	1	1
2	DA67-00449A	CASE TRAY ICE ASSY	SAMSUNG	1	1	1	1	1	1	1	1	1	1
3	DA67-20321B	SHELF FREEZER	GPPS	1	1	1	1	1	1	1	1	1	1
4	DA67-40329A	TRAY ICE B	PP	1	1	1	1	1	1	1	1	1	1
5	DA67-20323A	SHELF FREEZER SUB	GPPS	1	1	1	1	1	1	1	1	1	1
6	DA64-00363A	KNON F-THERMO	HIPS	1	1	1	1	1	1	1	1	1	1
7	DA39-20410A	WIRE HARMESS THERMO	110~240V	1	1	1	1	1	1	1	1	1	1
8	DA47-10167A	THERMOSTAT	MARCOT 8032	1	1	1	1	1	1	1	1	1	1
9	6002-000470	SCREW TAP, TH	M4.0, L10	1	1	1	1	1	1	1	1	1	1
10	DA72-40478A	COVER EVAP REAR	FOAM, PS	1	1	1	1	1	1	-	-	1	1
	DA72-40478B	COVER EVAP REAR	FOAM,VO	-	-	-	-	-	-	1	1	-	-
11	DA61-20149A	SPRING FAN	STS27WR	1	1	1	1	1	1	1	1	1	1
12	DA31-20138A	FAN	ABS	1	1	1	1	1	1	1	1	1	1
13	DA71-50233A	BRACKET MOTOR	ABS	1	1	1	1	1	1	-	-	1	1
	DA71-50233B	BRACKET MOTOR	VO	-	-	-	-	-	-	1	1	-	-
14	DA63-40289A	GROMMET FAN MOTOR	NBR	2	2	2	2	2	2	2	2	2	2
15	DA31-10109H	MOTOR FAN	115V/60HZ	1	1	-	-	-	-	-	-	-	-
	DA31-10109G	MOTOR-FAN	220V/50~60HZ	-	-	1	1	-	-	-	-	-	-
	DA31-10109J	MOTOR-FAN	1240V/50HZ	-	-	-	-	1	1	1	1	1	1
16	DA63-1105A	COVER MOTOR	PP	1	1	1	1	1	1	-	-	1	1
	DA63-11051B	COVER MOTOR	VO	-	-	-	-	-	-	1	1	-	-
17	DA60-10104B	SCREW TAP, TH	P15.0,L13	1	1	1	1	1	1	1	1	1	1
18	DA59-40243A	EVPAPORATOR	SR-21/24NM, YOOWON	1	1	1	1	1	1	1	1	1	1
19	DA47-10150E	THERMO BIMETAL ASSY	125/150V	1	1	1	1	1	1	1	1	-	-
	DA67-10150B	THERMO BIMETAL ASSY	AUSTALIA ONLY	-	-	-	-	-	-	-	-	1	1
20	DA63-11050A	COVER AIR COLD	HIPS, SC-93437R	1	1	1	1	1	1	1	1	1	1
21	DA67-20324B	SHELF WIRE FRE	NSWR10, SR-9343R	1	1	1	1	1	1	1	1	1	1
22	DA64-20206C	TRIM SHELF FRE	PVC, L397	1	1	1	1	1	1	1	1	1	1
23	6002-000526	SCREW TAP, TH	M4.0, L12	1	1	1	1	1	1	1	1	1	1
24	DA47-20210A	GLASS HETER	220~240V	-	-	1	1	1	1	1	1	-	-
	DA47-20210B	GLASS HETER	110~127V	1	1	-	-	-	-	-	-	-	-
	DA47-20210C	GLASS HETER	240V(AUS)	-	-	-	-	-	-	-	-	1	1
25	DA67-40328A	TRAY ICE CUBE	GPPS, SC-94452M	1	1	1	1	1	1	1	1	1	1
26		COVER-EVAP, FRONT	PP	1	1	1	1	1	1	1	1	1	1

11-2 Refrigerating compartment



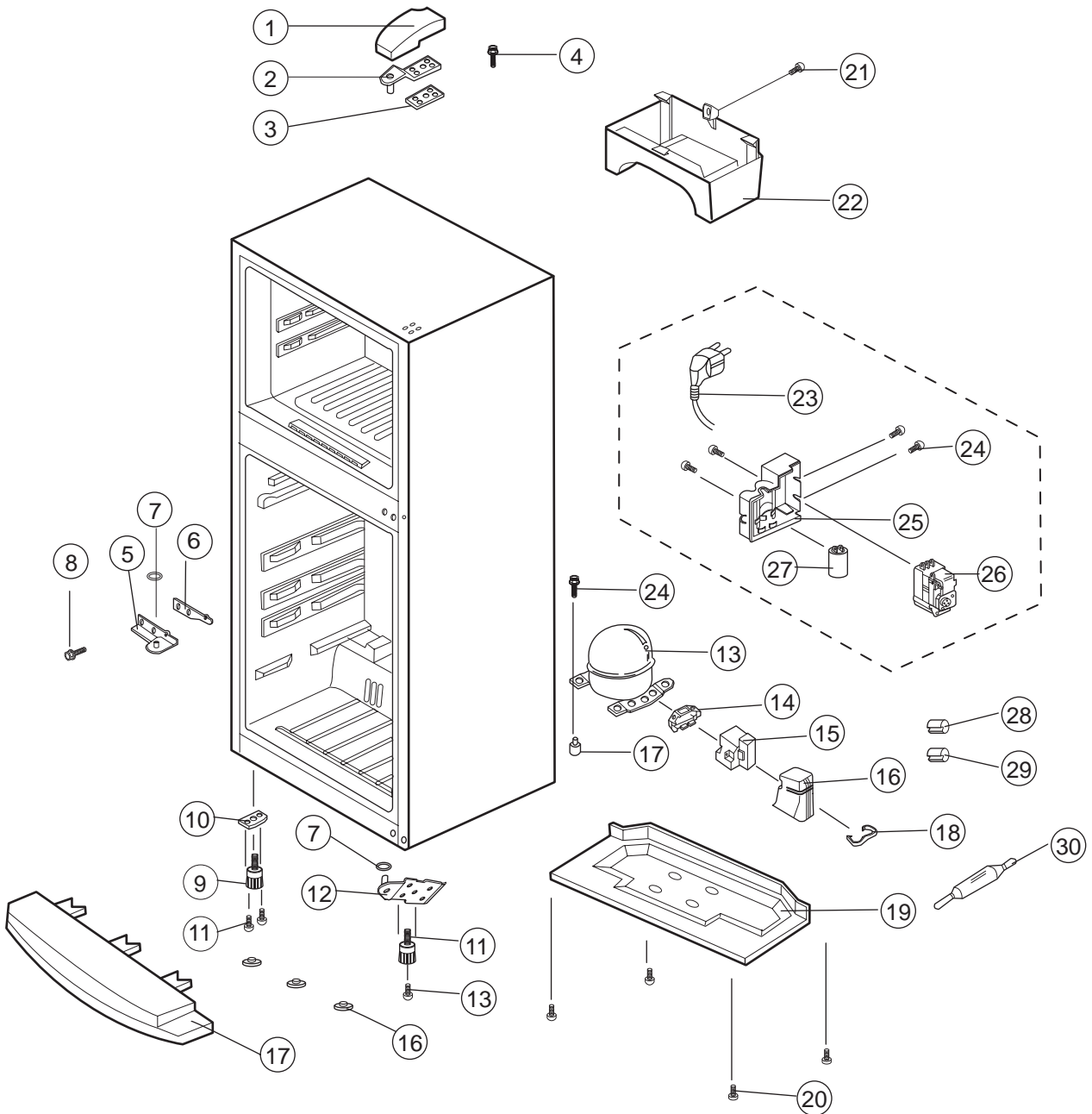
NO	CODE-NO	Items	Specifications	N-SAFETY						Safety		Asstrlia	
				110-127V/60Hz		220V/50Hz		230V/50Hz		230V/50Hz		230V/50Hz	
				SR-21 NME	SR-24 NME	SR-21 NME	SR-24 NME	SR-21 NME	SR-24 NME	SR-21 NME	SR-24 NME	SR-21 NME	SR-24 NME
1	DA72-40482A	Ins-Damper B	FOAM PS	1	1	1	1	1	1	1	1	1	1
2	DA67-10264B	Case Damper Therm-Ass	705-E9C	1	1	1	1	1	1	1	1	1	1
3	DA72-40476A	Ins-Damper A	FOAM PS	1	1	1	1	1	1	1	1	1	1
4	DA64-0034A	Knob-Thermo Damper	ABS	1	1	1	1	1	1	1	1	1	1
5	DA63-00679A	Cover Damper Ref	PP	1	1	1	1	1	1	1	1	1	1
6	DA47-40119A	Lam Holder	E17-, 110-240V, N-safety	1	1	1	1	-	-	1	1	1	1
	DA47-40112L	Lam Holder	E14-, 220-240V, safety	-	-	-	-	1	1	-	-	-	-
7	DA63-11052A	Cover Lamp Ref	GPPS	1	1	1	1	1	1	1	1	1	1
8	4713-000185	Lamp Incandescent	E17-, 110-127V	1	1	-	-	-	-	-	-	-	-
	4713-001037	Lamp Incandescent	E17-, 220-240V	-	-	1	1	1	1	-	-	1	1
	4713-000213	Lamp Incandescent	E14,220~240V,Safety	-	-	-	-	-	-	1	1	-	-
9	DA68-00346A	Label Grommet	PVC	1	1	1	1	1	1	1	1	1	1
10	DA34-10108D	Switch Door	300/125V, SSD-5	1	1	1	1	1	1	1	1	1	1
11	DA67-40326A	Tray Chil Room	GPPS	1	1	1	1	1	1	1	1	-	-
	DA67-40326B-	Tray Chil Room	SAN-Bio	-	-	-	-	-	-	-	-	1	1
12	DA63-00677A	Cover Chil Room	Gpps, Screen E-Type	1	1	1	1	1	1	1	1	1	1
13	DA67-20326B	Shelf Wire Ref	MSWR10	-	-	-	-	-	-	-	-	-	-
14	DA64-20206D	Trim Shelf Ref	PVC } Option Parts	-	-	-	-	-	-	-	-	-	-
15	DA63-11053A	Cover Tray Vegetable	GPPS	1	1	1	1	1	1	1	1	1	1
16	DA67-00448A	Tray Vegetable	GPPS, Screen E-Type	1	1	1	1	1	1	1	1	1	1
17	DA67-20322A	Shelf Ref	GPPS	1	1	1	1	1	1	1	1	1	1
18	DA67-10465A	Contorol Humidity Veg	HIPS	1	1	1	1	1	1	1	1	1	1

11-3 Door parts



NO	CODE-NO	Items	Specifications	SR-21NME				SR-24NME				SR-25NME	
				MG	LG	SW	TO	MG	LG	SW	TO	MG	LG
1	DA91-01341A	Assy Door Foam Fre	SR-21/24NM,E-Type	1	-	-	-	1	-	-	-	1	
	DA91-01269B	Assy Door Foam Fre	SR-21/24NM,E-Type	-	1	-	-	-	1	-	-	-	
	DA91-01341G	Assy Door Foam Fre	SR-21/24NM,E-Type	-	-	1	-	-	-	1	-	-	1
	DA91-01341H	Assy Door Foam Fre	SR-21/24NM,E-Type	-	-	-	1	-	-	-	1	-	-
2	DA90-00832E	Assy Door Foam Ref	SR-21NM,E-TYPE,N-Key	1	-	-	-	-	-	-	-	-	-
	DA90-00832F	Assy Door Foam Ref	SR-21NM,E-TYPE,N-Key	-	1	-	-	-	-	-	-	-	-
	DA90-00832Q	Assy Door Foam Ref	SR-21NM,E-TYPE,N-Key	-	-	1	-	-	-	-	-	-	-
	DA90-00832S	Assy Door Foam Ref	SR-21NM,E-TYPE,N-Key	-	-	-	1	-	-	-	-	-	-
	DA90-00832A	Assy Door Foam Ref	SR-21NM,E-TYPE,Key	1	-	-	-	-	-	-	-	-	-
	DA90-00832B	Assy Door Foam Ref	SR-21NM,E-TYPE,Key	-	1	-	-	-	-	-	-	-	-
	DA90-00832L	Assy Door Foam Ref	SR-21NM,E-TYPE,Key	-	-	1	-	-	-	-	-	-	-
	DA90-00832M	Assy Door Foam Ref	SR-21NM,E-TYPE,Key	-	-	-	1	-	-	-	-	-	-
	DA90-00833E	Assy Door Foam Ref	SR-24NM,E-TYPE,N-Key	-	-	-	-	1	-	-	-	1	-
	DA90-00833F	Assy Door Foam Ref	SR-24NM,E-TYPE,N-Key	-	-	-	-	-	1	-	-	-	
	DA90-00833Q	Assy Door Foam Ref	SR-24NM,E-TYPE,N-Key	-	-	-	-	-	-	1	-	-	1
	DA90-00833S	Assy Door Foam Ref	SR-24NM,E-TYPE,N-Key	-	-	-	-	1	-	-	1	-	-
	DA90-00833A	Assy Door Foam Ref	SR-24NM,E-TYPE,Key	-	-	-	-	-	1	-	-	-	-
	DA90-00833B	Assy Door Foam Ref	SR-24NM,E-TYPE,Key	-	-	-	-	-	-	1	-	-	-
DA90-00833L	Assy Door Foam Ref	SR-24NM,E-TYPE,Key	-	-	-	-	-	-	-	-	-	-	
DA90-00833M	Assy Door Foam Ref	SR-24NM,E-TYPE,Key	-	-	-	-	-	-	-	-	1	-	
3	DA63-00684A	Guard Freezer	GPPS, E-Type	2	2	2	2	2	2	2	2	2	2
4	DA63-00683A	Guard Egg	GPPS, E-Type	1	1	1	1	1	1	1	1	1	1
5	DA63-00680A	Guard Variety	GPPS, E-Type	1	1	1	1	2	2	2	2	2	2
6	DA63-00681A	Guard Bottle A	GPPS, E-Type	2	2	2	2	2	2	2	2	2	2
7	6001-000701	Screw Machince	M4, L12	1	1	1	1	1	1	1	1	1	1
8	DA71-40185A	Stopper door C	SPC1	1	1	1	1	1	1	1	1	1	1
9	DA71-40186A	Stopper door A	POM	1	-	-	-	1	-	-	-	1	1
	DA71-40186B	Stopper door A	POM	-	1	-	-	-	1	-	-	-	-
	DA71-40186D	Stopper door A	POM	-	-	1	-	-	-	1	-	-	-
	DA71-40186F	Stopper door A	POM	-	-	-	1	-	-	-	1	-	-
10	6001-000039	Screw Machince	M4, L8	1	1	1	1	1	1	1	1	1	1
11	DA61-00162A	Stopper door B	T2.5	1	1	1	1	1	1	1	1	1	1
12	DA68-50209B	Inlay Mascot	PET+UV. S/S	1	1	1	1	1	1	1	1	-	-
	DA68-50209C	Inlay Mascot	India only	-	-	-	-	-	-	-	-	1	1

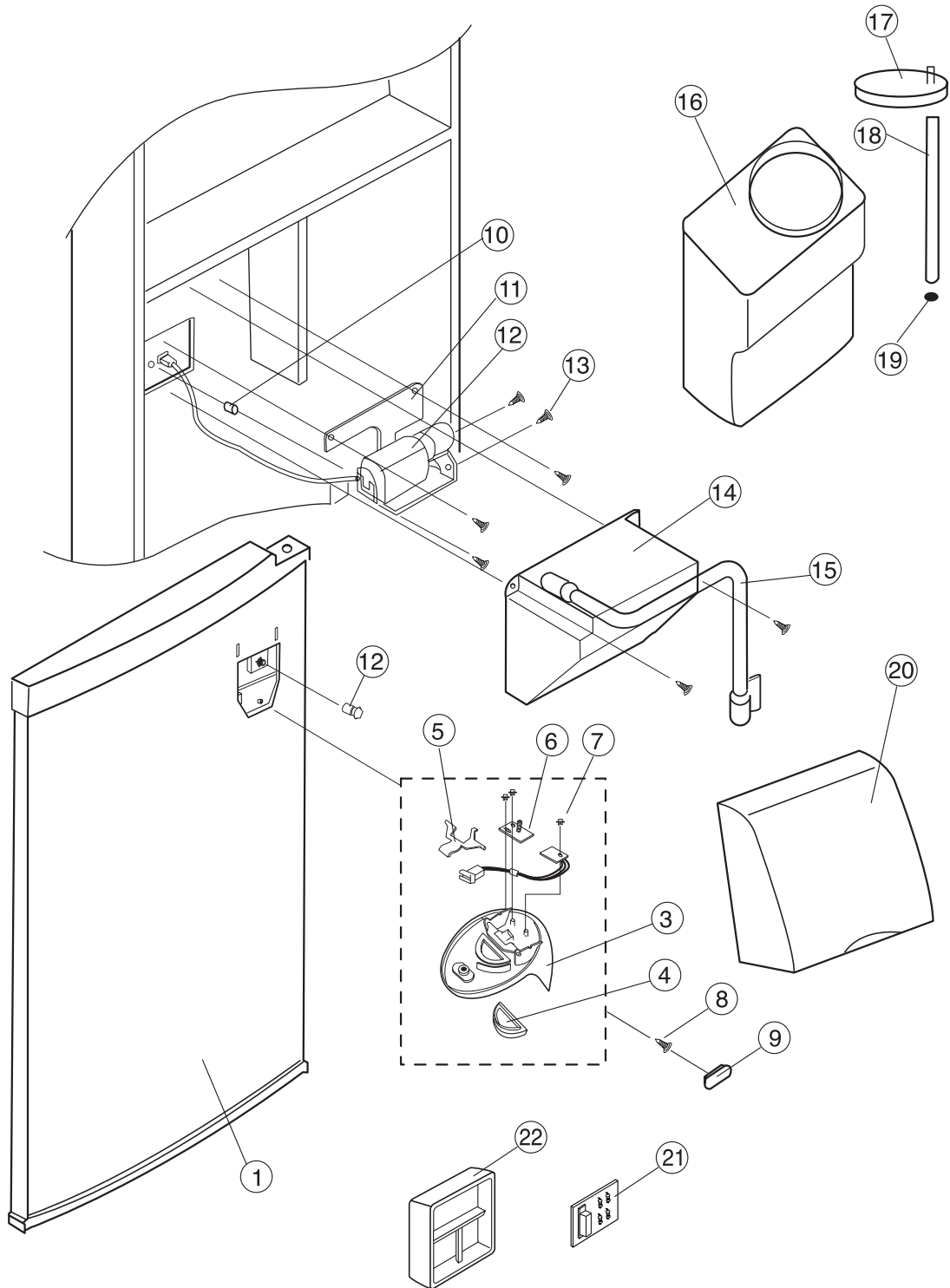
11-4 Cabinet Parts & Unit



NO	CODE-NO	Items	Specifications	SR-21/24NME - N-Safety									SR-21/24NME Safety								
				110-127V/60HZ			110-127V/60HZ			110-127V/60HZ			110-127V/60HZ			110-127V/60HZ			110-127V/60HZ		
				M	L	S	M	L	S	M	L	S	M	L	S	M	L	S	M	L	S
1	DA67-00360B	Cap Hing Up	PP.	1	-	-	1	-	-	1	-	-	1	-	-	1	-	-	1	-	-
	DA67-00360A	Cap Hing Up	PP.	-	1	-	-	1	-	-	1	-	-	1	-	-	1	-	-	1	-
	DA67-00360C	Cap Hing Up	PP.	-	-	1	-	-	1	-	-	1	-	-	1	-	-	1	-	-	1
2	DA71-10543B	HING Up	SHP1	1	1	1	1	1	1	1	1	1	1	1	1	1	1	1	1	1	1
3	DA63-00697A	Shim hing Up	RD. PVC.0.5t	1	1	1	1	1	1	1	1	1	1	1	1	1	1	1	1	1	1
4	DA60-10124B	Screw tap Tite	HH, M6, L12, ZPC2-Y	3	3	3	3	3	3	3	3	3	3	3	3	3	3	3	3	3	3
5	DA61-10232A	Hing Mid	SHP1	1	1	1	1	1	1	1	1	1	1	1	1	1	1	1	1	1	1
6	DA63-50209A	Shim hing Mid	RD, PVC	1	1	1	1	1	1	1	1	1	1	1	1	1	1	1	1	1	1
7	DA60-40127A	Washer	NY88	2	2	2	2	2	2	2	2	2	2	2	2	2	2	2	2	2	2
8	DA60-10124B	Screw tap Tite	HH, M6, L12, ZPC2-Y	2	2	2	2	2	2	2	2	2	2	2	2	2	2	2	2	2	2
9	DA61-30131A	Foot Front	PP	2	2	2	2	2	2	2	2	2	2	2	2	2	2	2	2	2	2
10	DA71-10542A	Reing Leg	SCP1	1	1	1	1	1	1	1	1	1	1	1	1	1	1	1	1	1	1
11	DA60-10124B	Screw Tap Tite	HH, M6, L12, ZPC2-Y	6	6	6	6	6	6	6	6	6	6	6	6	6	6	6	6	6	6
12	DA61-00163B	Hing Low	SHP1	1	1	1	1	1	1	1	1	1	-	-	-	-	-	-	-	-	-
13	DA59-00139A	Compresspr	AE1360YK-K, 220V/50Hz	-	-	-	1	1	1	-	-	-	-	-	-	-	-	-	-	-	-
14	DA35-00015A	O/L Protector	AE1360YK-K	-	-	-	1	1	1	-	-	-	-	-	-	-	-	-	-	-	-
15	DA35-00014A	Relay starting	AE1360YK-K	-	-	-	1	1	1	-	-	-	-	-	-	-	-	-	-	-	-
	DA60-40142A	SCREW Machine	TH,M4,L8	-	-	-	1	1	1	-	-	-	-	-	-	-	-	-	-	-	-
	DA60-40125A	Washer Hex	ID8.2,OD22, T0.0.8	-	-	-	3	3	1	-	-	-	-	-	-	-	-	-	-	-	-
	DA61-70259A	Supt	SCP1, TO.8,ZPCwht	-	-	-	3	3	1	-	-	-	-	-	-	-	-	-	-	-	-
	DA63-01001A	Cover Relay	Noryl,BLK, T2.0	-	-	-	1	1	1	-	-	-	-	-	-	-	-	-	-	-	-
	DA63-40269A	Grommet Comp	NR,H21.5, BLK	-	-	-	4	4	4	-	-	-	-	-	-	-	-	-	-	-	-
	DA65-20122A	Clamp	SK5,ZPC	-	-	-	1	1	1	--	--	--	--	--	--	--	--	--	--	--	--
	DA59-00097A	Compressor	SD152C-L1U2, 110V/60Hz	1	1	1	-	-	-	-	-	-	-	-	-	-	-	-	-	-	-
	DA35-10002A	PTC Relay	SD152C-L1U2,912X32E6R8MQ14APE2	1	1	1	-	-	-	-	-	-	-	-	-	-	-	-	-	-	-
	DA34-10003R	O/L Protector	SD152C-L1U2,4TM427PHBY-53	1	1	1	-	-	-	-	-	-	-	-	-	-	-	-	-	-	-
	DA59-50002A	Compressor	SD162H-L1U2,220V/50-60Hz	-	-	-	-	-	-	1	1	1	-	-	-	1	1	1	-	-	-
	DA35-10002D	PTC Relay	SD162H-L1U2,912X35E33MT20APE2	-	-	-	-	-	-	1	1	1	-	-	-	1	1	1	-	-	-
	DA34-10003V	O/L Protector	SD162H-L1U2,4TM265RHBY-53	-	-	-	-	-	-	1	1	1	-	-	-	1	1	1	-	-	-
	DA59-50003A	Compressor	SD162Q-L1U2,240V/50Hz	-	-	-	-	-	-	-	-	-	1	1	1	-	-	-	1	1	1
	DA35-10003D	PTC Relay	SD162Q-L1U2,PTHAS-T33M385D	-	-	-	-	-	-	-	-	-	1	1	1	-	-	-	1	1	1
	DA34-10003K	O/L Protector	SD152H-L1U2,4TM222PHBY-53	-	-	-	-	-	-	-	-	-	1	1	1	-	-	-	1	1	1
DA60-20008A	Bolt Hex	SM30C, L42.6	4	4	4	4	4	4	4	4	4	4	4	4	4	4	4	4	4	4	
16	DA63-10722A	Cover Relay	PP.,V451	1	1	1	1	1	1	1	1	1	1	1	1	1	1	1	1	1	1
17	DA63-40143A	Grommet Comp.	NBR,ID10,H9.7	4	4	4	4	4	4	4	4	4	4	4	4	4	4	4	4	4	4

NO	CODE-NO	Items	Specifications	SR-21/24NME - N-Safety									SR-21/24NME Safety								
				110~127V/60HZ			110~127V/60HZ			110~127V/60HZ			110~127V/60HZ			110~127V/60HZ			110~127V/60HZ		
				M	L	S	M	L	S	M	L	S	M	L	S	M	L	S	M	L	S
18	DA65-20113A	Clamp Cover Relay	SK,T0.5	1	1	1	1	1	1	1	1	1	1	1	1	1	1	1	1	1	1
19	DA71-60202A	Chassis Comp	SCP1	1	1	1	1	1	1	1	1	1	1	1	1	1	1	1	1	1	1
20	DA60-10124B	ScrewTap Tite	HH,m6L12,ZPC2-Y	2	2	2	2	2	2	2	2	2	2	2	2	2	2	2	2	2	2
21	6002-000470	ScrewTapping	TH,M4,L10,ZPC	1	1	1	1	1	1	1	1	1	1	1	1	1	1	1	1	1	1
22	DA67-40325B	Tray Drain Water	PP, NR	1	1	1	1	1	1	1	1	1	1	1	1	1	1	1	1	1	1
23	DA39-10156A	Cable Foam power	UCP2	-	-	-	1	1	1	-	-	-	-	-	-	-	-	-	-	-	-
	DA39-10139A	Cable Foam power	BF3	-	-	-	1	1	1	-	-	-	-	-	-	-	-	-	-	-	-
	DA39-10138A	Cable Foam power	EP2	1	1	1	-	-	-	1	1	1	1	1	1	1	1	1	1	1	1
	DA39-10172A	Cable Foam power	SPT3	1	1	1	-	-	-	1	1	1	1	1	1	1	1	1	1	1	1
	DA39-10105A	Cable Foam power	CP2	-	-	-	1	1	1	-	-	-	-	-	-	-	-	-	-	-	-
	DA39-10157A	Cable Foam power	AP3	-	-	-	-	-	-	-	-	-	1	1	1	-	-	-	1	1	1
	DA39-10160A	Cable Foam power	WSO13	-	-	-	-	-	-	1	1	1	-	-	-	1	1	1	-	-	-
24	6002-000470	ScrewTapping	TH,M4,L10, ZPC	2	2	2	2	2	2	2	2	2	2	2	2	2	2	2	2	2	2
25	DA67-10464E	Case Junction	PP	1	1	1	1	1	1	1	1	1	1	1	1	-	-	-	-	-	-
	DA67-10464D	Case Junction	PP,VO,Safety	-	-	-	-	-	-	-	-	-	-	-	-	1	1	1	1	1	1
26	DA45-10003C	Timer Deforrst	220-240V	-	-	-	1	1	1	1	1	1	1	1	1	1	1	1	1	1	1
	DA45-10003A	Timer Deforrst	110~127V	1	1	1	-	-	-	-	-	-	-	-	-	-	-	-	-	-	-
27	2501-000427	C-oil(Run)	3.2UF/350VAC																		
	2501-000278	C-oil(Start)	12UF/250VAC																		
28	DA63-40171B	Grommet Discharge	NR-ID4	1	1	1	1	1	1	1	1	1	1	1	1	1	1	1	1	1	1
29	DA63-40171D	Grommet Discharge	NR-ID6																		
30	DA73-30111A	Dryer	C122OT,OD18,85,ID4,75.L100	1	1	1	1	1	1	1	1	1	1	1	1	1	1	1	1	1	1

11-5 Assy-water dispenser parts



NO	CODE-NO	Items	Specifications	SR-21NME				SR-24NME			
				LG	MG	SW	TO	LG	MG	SW	TO
1	DA91-00994B	Assy - Door Foam Fre	SR-21WME,N-KEY,LG	1	-	-	-	-	-	-	-
	DA91-00994A	Assy - Door Foam Fre	SR-21WME,N-KEY,MG	-	1	-	-	-	-	-	-
	DA91-01132B	Assy - Door Foam Fre	SR-21WME,N-KEY,SW	-	-	1	-	-	-	-	-
		Assy - Door Foam Fre	SR-21WME,N-KEY,TO	-	-	-	1	-	-	-	1
	DA90-00770B	Assy - Door Foam Ref	SR-21WME,N-KEY,LG	1	-	-	-	-	-	-	-
	DA90-00554G	Assy - Door Foam Ref	SR-21WME,N-KEY,MG	-	1	-	-	-	-	-	-
	DA90-00770C	Assy - Door Foam Ref	SR-21WME,N-KEY,SW	-	-	1	-	-	-	-	-
		Assy - Door Foam Fre	SR-21WME,N-KEY,TO	-	-	-	1	-	-	-	1
	DA91-00994C	Assy - Door Foam Fre	SR-24WME,N-KEY,LG	-	-	-	-	1	-	-	-
	DA91-00994D	Assy - Door Foam Fre	SR-24WME,N-KEY,MG	-	-	-	-	-	1	-	-
	DA91-01132D	Assy - Door Foam Fre	SR-24WME,N-KEY,SW	-	-	-	-	-	-	1	-
		Assy - Door Foam Fre	SR-21WME,N-KEY,TO	-	-	-	1	-	-	-	1
	DA90-00554H	Assy - Door Foam Ref	SR-24WME,N-KEY,LG	-	-	-	-	1	-	-	-
	DA90-00774B	Assy - Door Foam Ref	SR-24WME,N-KEY,MG	-	-	-	-	-	1	-	-
	DA90-00774C	Assy - Door Foam Ref	SR-24WME,N-KEY,SW	-	-	-	-	-	-	1	-
		Assy - Door Foam Ref	SR-21WME,N-KEY,TO	-	-	1	-	-	-	-	1
2	DA67-00364A	Hose-water, font	SR-21/24WME,NBR,BLK	1	1	1	1	1	1	1	1
3	DA63-00517A	Cover-dispenser	SR-21/24WME,ABS,LG	1	-	-	-	1	-	-	-
	DA63-00517B	Cover-dispenser	SR-21/24WME,ABS,MG	-	1	-	-	-	1	-	-
	DA63-00517L	Cover-dispenser	SR-21/24WME,ABS,SW	-	-	1	-	-	-	1	-
	DA63-00517L	Cover-dispenser	SR-21/24WME,ABS,TO	-	-	-	1	-	-	-	1
4	DA63-00518A	Cover-button	SR-21/24WME,ABS,GRY	1	1	1	1	1	1	1	1
5	DA64-00267A	Button-switch	SR-21/24WME,NY-66,NTR	1	1	1	1	1	1	1	1
6	DA39-00137A	W/H-dispenser	SR-21/24WME	1	1	1	1	1	1	1	1
7	6003-000334	Screw-tap,TH	SR-21/24WME,M3*8	3	3	3	3	3	3	3	3
8	6002-000526	Screw-tap,TH	SR-21/24WME,M4*12	1	1	1	1	1	1	1	1
9	6002-000367A	CAP-SCREW	SR-21/24WME,ABS,LG	1	-	-	-	1	-	-	-
	6002-000367F	CAP-SCREW	SR-21/24WME,ABS,MG	-	1	-	-	-	1	-	-
	6002-000367L	CAP-SCREW	SR-21/24WME,ABS,SW	-	-	1	-	-	-	1	-
	6002-000367H	CAP-SCREW	SR-21/24WME,ABS,TO	-	-	-	1	-	-	-	1
10	DA67-00415A	Hose-connect, b	SR-21/24WME,NBR	1	1	1	1	1	1	1	1
11	DA61-00168A	Bracket-motor	SR-21/24WME,SBHG1	1	1	1	1	1	1	1	1
12	DA66-00123A	Motor-pump, assy	SR-21/24WME,	1	1	1	1	1	1	1	1
13	6002-000526	Screw-tap, TH	SR-21/24WME,M4*12	7	7	7	7	7	7	7	7
14	DA63-00519A	Cover-moter	SR-21/24WME,HIPS,WHT	1	1	1	1	1	1	1	1
15	DA67-00365A	Hose-water line, b	SR-21WME,NTR	1	1	1	1	-	-	-	-

NO	CODE-NO	Items	Specifications	SR-21NME				SR-24NME			
				LG	MG	SW	TO	LG	MG	SW	TO
	DA67-00365B	Hose-water line, b	SR-21WME,NTR	-	-	-	-	1	1	1	1
16	DA61-00173A	Case-water tank	SR-21/24WME	1	1	1	1	1	1	1	1
17	DA63-00524A	Cover-water tank	SR-21/24WME	1	1	1	1	1	1	1	1
18	DA67-00410A	Hose-water line,c	SR-21/24WME	1	1	1	1	1	1	1	1
19	DA62-00026A	Filter-qater line,c	SR-21/24WME	1	1	1	1	1	1	1	1
20	DA63-00522A	Cover-water dispenser	SR-21/24WME	1	1	1	1	1	1	1	1
21	DA41-00067A	PBA-MAIN	SR-21/24WME	1	1	1	1	1	1	1	1
22	DA61-00170A	Case-junction	SR-21/24WME	1	1	1	1	1	1	1	1