

REFRIGERATOR (COMBIS)



DESPIECE

MODEL:

**ERF-367MH
ERF-367MIS
ERF-387MH
ERF-387MHB
ERF-387MI
ERF-388MI
ERF-387MGW
ERF-387MGI**

**TECHNICAL NAME: ERF-366MNL O ERF-366MN
ERF-386MNL O ERF-386MN**

**DOOR COLOR: N/G INOX 06 DCM
N/G INOX 04
SNOW WHITE
INOX 08**

**HANDLE TYPE: HIDDEN HANDLE
GRIP HANDLE**

DAEWOO ELECTRONICS EUROPE SPANISH BRANCH Gmbh.)

✓ Caution

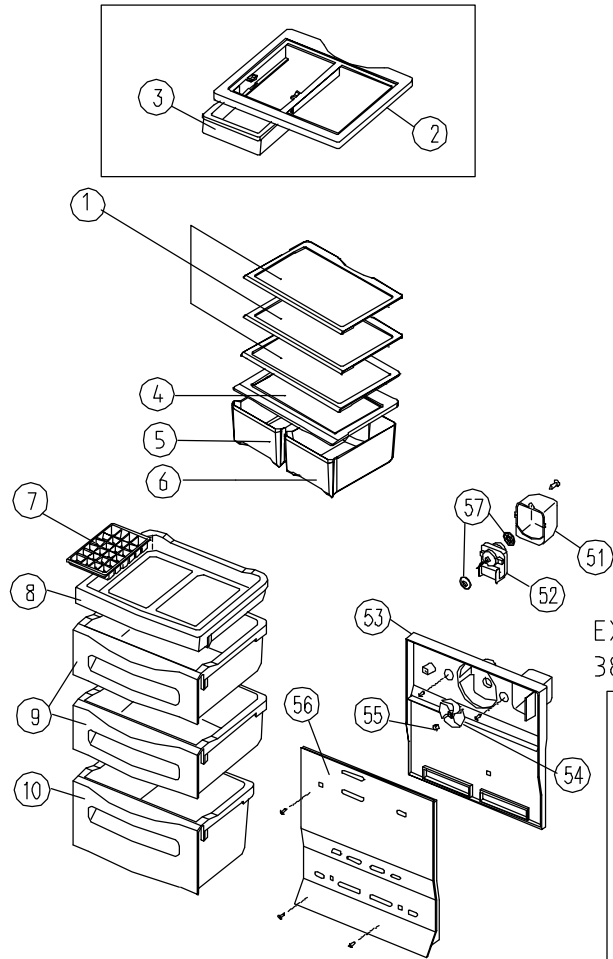
: In this Manual, some parts can be changed for improving, their performance without notice in the parts list. So, if you need the latest parts information, please refer to PPL(Parts Price List) in Service Information Center(<http://svc.dwe.co.kr>).



ERF-367MH,367MIS,387MH,387MHb,387MI,388MI,387MGW,387MGI

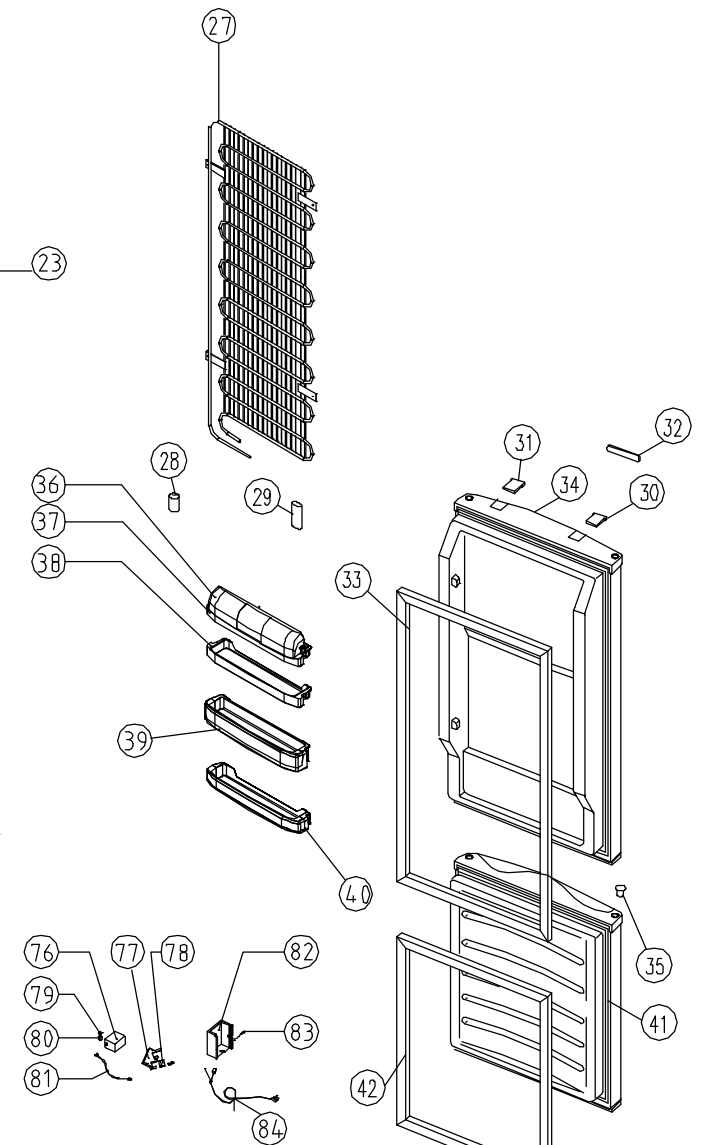
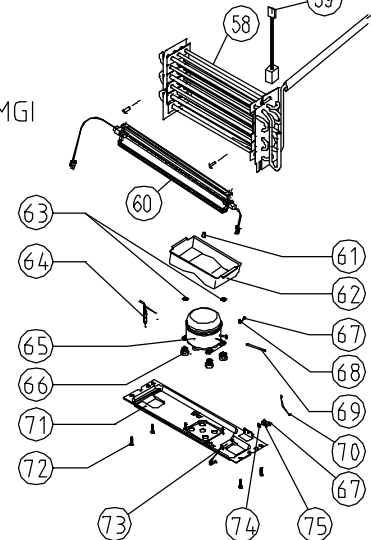
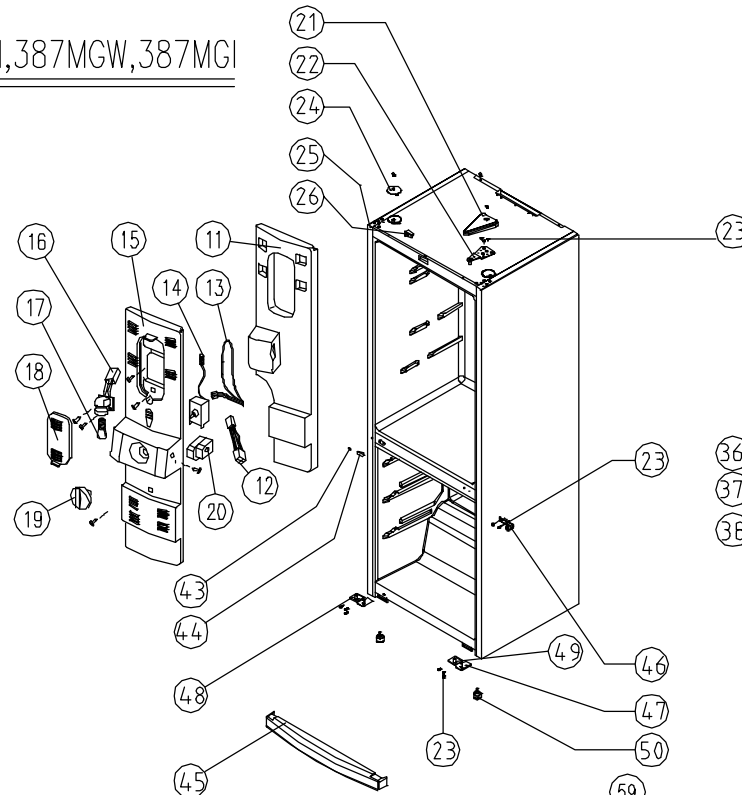
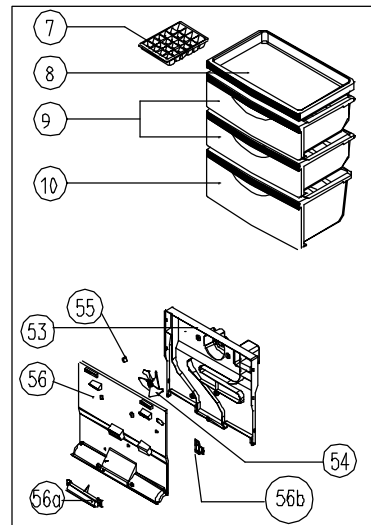
EXCLUSIVE

387MI,387MHb,388MI,387MGW,387MGI

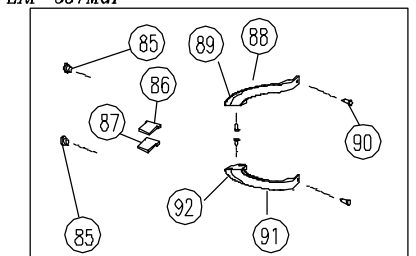


EXCLUSIVE

387MHb,388MI,387MGW,ERF387MGI



EXCLUSIVE ERF-387MGW,
ERF-387MGI



PRICE PARTS LIST
MODEL NAME: ERF-367MH, ERF-367MIS,387MH,387MHb,387MI,388MI
ERF-387MGW, ERF-387MGI

BUYER N°			
DATE			
REV			

EXPLODE DRAWING N°	PART CODE	PART NAME	COLOUR	HANDLE TYPE	ERF-367MH	ERF-367MH	ERF-367MIS	ERF-367MIS	ERF-367MH	ERF-367MH	ERF-387MHb	ERF-387MI	ERF-388MI	ERF-387MGW	ERF-387MGI
					(ERF-386MNL)	(ERF-386MN)	(ERF-366MNL)	(ERF-366MN)	(ERF-386MNL)	(ERF-387MN)	(ERF-386MN)	(ERF-386MNL)	(ERF-386MN)	(ERF-386MNL)	(ERF-386MNL)
1	3017839400	GLASS SHELF (INSERT TYPE) '04			3	3	3	3	3	3	2	2	2	2	2
2	3012202801	COVER CHILLED CASE ASSY (GLASS)			-	-	-	-	-	-	1	1	1	1	1
3	DMS1163370	CASE CHILLED SMALL BLUE MILKY	BLUE MILKY		-	-	-	-	-	-	1	1	1	1	1
4	3001402200	COVER GLASS V/CASE (INSERT TYPE) ERF**4			1	1	1	1	1	1	1	1	1	1	1
5	DMS1181910	CASE VEGETABLE *L '04 BLUE MILKY 2006	BLUE MILKY		1	1	1	1	1	1	1	1	1	1	1
6	DMS1182010	CASE VEGETABLE *R '04 BLUE MILKY 2006	BLUE MILKY		1	1	1	1	1	1	1	1	1	1	1
7	3011163200	CASE ICING 2000			1	1	1	1	1	1	1	1	1	1	1
8	DMS1115950	CASE FD (WITHOUT PRINTING)			1	1	1	1	1	1	-	1	-	-	-
8	3011181800	CASE F D 04			-	-	-	-	-	-	1	-	1	1	1
9	3011115310	CASE FB (WITHOUT PRINTING)			2	2	2	2	2	2	-	-	-	-	-
9	3011115410	CASE FC (WITHOUT PRINTING)			-	-	-	-	2	2	-	2	-	-	-
9	3011185000	CASE F C AS			-	-	-	-	-	-	2	-	2	2	2
10	3011115230	CASE FA			1	1	1	1	1	1	-	1	-	-	-
10	3011184800	CASE F A AS			-	-	-	-	-	-	1	-	1	1	1
11	3013337100	INSULATOR MULTI DUCT M 36./38../40			1	1	1	1	1	1	1	1	1	1	1
12	3012756600	HARNESS THERMO-TIMER A			1	1	1	1	1	1	1	1	1	1	1
13	3012756610	HARNESS THERMO-TIMER B			1	1	1	1	1	1	1	1	1	1	1
14	3018120910	THERMOSTAT GNF-176DB (OFF POSITION)			1	1	1	1	1	1	1	1	1	1	1
15	3011452040	COVER MULTI DUCT 36./38../40.. (OFF POSITION)			1	1	1	1	1	1	1	1	1	1	1
16	3017903900	SOCKET R LAMP AS			1	1	1	1	1	1	1	1	1	1	1
17	3013600700	LAMP 220V 15W			1	1	1	1	1	1	1	1	1	1	1
18	3015503300	WINDOW LAMP MILKY COMMON			1	1	1	1	1	1	1	1	1	1	1
18	DMS5503310	WINDOW LAMP BLUE	BLUE		-	-	-	-	-	-	-	-	-	-	1
19	3013401410	KNOB R			1	1	1	1	1	1	1	1	1	1	1
20	3018128310	SWITCH D TIMER (INVENSY) CF-3001-21			1	1	1	1	1	1	1	1	1	1	1
21	DMS1494310	COVER *T HINGE SNOW WHITE	WHITE		1	1	-	-	1	1	1	-	-	1	-
21	DMS1494340	COVER *T HINGE (N/G)	NOBLE GREY		-	-	1	1	-	-	-	1	1	-	1
22	3012922600	HINGE *T AS			1	1	1	1	1	1	1	1	1	1	1
23	3016004900	SPECIAL BOLT C			9	9	9	9	9	9	9	9	9	9	9
24	DMS1477510	COVER CAB HARNESS SNOW WHITE	WHITE		1	1	-	-	1	1	1	-	-	1	-
24	DMS1477540	COVER CAB HARNESS NOBLE GREY	NOBLE GREY		-	-	1	1	-	-	-	1	1	-	1
25	-	ASSY CAB URT 366M			1	1	1	1	-	-	-	-	-	-	-
25	-	ASSY CAB URT 386M			-	-	-	-	1	1	1	1	1	1	1
26	3011755200	SWITCH DOOR SNOW WHITE	WHITE		1	1	-	-	1	1	1	-	-	1	-
26	3011783400	SWITCH DOOR NOBLE GREY	NOBLE GREY		-	-	1	1	-	-	-	1	1	-	1
27	3014434500	PIPE WL-CON AS			1	1	1	1	1	1	1	1	1	1	1
28	NO DISPONIBLE	ABSORBER PIPE C EXTRUSION 20gr			1	1	1	1	1	1	1	1	1	1	1
29	NO DISPONIBLE	SEALING DIVISION			1	1	1	1	1	1	1	1	1	1	1
30	DMS1467390	COVER DOOR CAP *L BAR HANDLE (SNOW WHITE)	WHITE		1	1	-	-	1	1	1	-	-	1	-
30	DMS1467360	COVER DOOR CAP *L BAR HANDLE (NOBLE GREY)	NOBLE GREY		-	-	1	1	-	-	-	1	1	-	1
31	DMS1467490	COVER DOOR CAP *R BAR HANDLE (SNOW WHITE)	WHITE		1	1	-	-	1	1	1	-	-	1	-
31	DMS1467460	COVER DOOR CAP *R BAR HANDLE (NOBLE GREY)	NOBLE GREY		-	-	1	1	-	-	-	1	1	-	1
32	3013595400	EMBLEM DAEWOO '04 (CHROME)			1	1	1	1	1	1	1	1	1	1	1
33	3012306600	GASKET R DR 36./38. WHITE			1	1	1	1	1	1	1	1	1	1	1
34	DMS0085950	R DOOR HIDDEN (SNOW WHITE) 366M, 386M - HIDDEN H. D2	SNOW WHITE	HIDDEN	1	1	-	-	1	1	1	-	-	-	-
34	DMS0087510	R DOOR GRIP (SNOW WHITE) 366M, 386M - GRIP D2	SNOW WHITE	GD2	-	-	-	-	-	-	-	-	-	1	-
34	DMS0086250	R DOOR HIDDEN (N/G INOX '04) 366M 386M HIDDEN D2	N/G INOX 04	HIDDEN	-	-	-	-	-	-	-	1	-	-	-
34	DMS0087520	R DOOR GRIP (N/G INOX 06 DCM) 366M, 386M - GRIP D2	N/G INOX 06 DCM	GD2	-	-	-	-	-	-	-	-	-	-	1
34	DMS0057550	R DOOR HIDDEN (N/G INOX '06 DCM) 366M 386M HIDDEN D2	N/G INOX 06 DCM	HIDDEN	-	-	1	1	-	-	-	-	-	-	-
34	DMS0085550	R DOOR HIDDEN (INOX 08) 366M 386M HIDDEN D2	INOX 08	HIDDEN	-	-	-	-	-	-	-	1	1	-	-
35	3010967400	CAP DOOR BUSHING (SNOW WHITE)	WHITE		1	1	-	-	1	1	1	-	-	1	-
35	DMS0967410	CAP DOOR BUSHING (DARK GRAY)	DARK GREY		-	-	1	1	-	-	-	1	1	-	1
36	3011495000	COVER DAIRY POCKET			1	1	1	1	1	1	1	1	1	1	1
37	3019025000	POCKET DAIRY			1	1	1	1	1	1	1	1	1	1	1
38	3019025200	POCKET R 04			1	1	1	1	1	1	1	1	1	1	1
39	3019026100	POCKET BOTL AS			1	1	1	1	1	1	1	1	1	1	1
40	3019026200	POCKET MULTI AS			1	1	1	1	1	1	1	1	1	1	1
41	DMS0086590	F DOOR HIDDEN (SNOW WHITE) 364, 394, 366M, 396M	SNOW WHITE	HIDDEN	1	1	-	-	-	-	-	-	-	-	-
41	DMS0086770	F DOOR HIDDEN (SNOW WHITE) 384, 386M	SNOW WHITE	HIDDEN	-	-	-	-	1	1	1	-	-	-	-
41	3010086780	F DOOR GRIP (SNOW WHITE) 384, 386M	SNOW WHITE	GD2	-	-	-	-	-	-	-	-	-	1	-
41	DMS0086130	F DOOR HIDDEN (N/G INOX 04) 384, 386M	N/G INOX 04	HIDDEN	-	-	-	-	-	-	-	1	-	-	-
41	DMS0085400	F DOOR GRIP (N/G INOX 06 DCM) 384, 386M	N/G INOX 06 DCM	GD2	-	-	-	-	-	-	-	-	-	-	1
41	DMS0057560	F DOOR HIDDEN (N/G INOX 06 DCM) 364, 394	N/G INOX 06 DCM	HIDDEN	-	-	1	1	-	-	-	-	-	-	-
41	DMS0085540	F DOOR HIDDEN (INOX 08) 384, 386M	INOX 08	HIDDEN	-	-	-	-	-	-	-	1	1	-	-
42	3012306500	GASKET F DR 36./39. WHITE			1	1	1	1	-	-	-	-	-	-	-
42	3012306700	GASKET F DR 38./41. WHITE			-	-	-	-	1	1	1	1	1	1	1
43	3010920200	CAP SCREW (SNOW WHITE)	WHITE		1	1	-	-	1	1	1	-	-	1	-
43	DMS0920210	CAP SCREW ((DARK GRAY)	DARK GREY		-	-	1	1	-	-	-	1	1	-	1
44	3010920300	CAP SCREW HOLE			1	1	1	1	1	1	1	1	1	1	1
45	3011467500	COVER CAB BRACKET L SNOW WHITE	WHITE		1	1	-	-	1	1	1	-	-	1	-
45	DMS1467530	COVER CAB BRACKET L NOBLE GREY	NOBLE GREY		-	-	1	1	-	-	-	1	1	-	1
46	3012924800	HINGE*M COMMON 2005			1	1	1	1	1	1	1	1	1	1	1
47	3012925510	HINGE UNDER R 36/34/38/39/41/40 2005			1	1	1	1	1	1	1	1	1	1	1
48	3012925500	HINGE UNDER L 36/34/38/39/41/40 2005			1	1	1	1	1	1	1	1	1	1	1
49	3014909100	SHAFT HI *U KOREA 2005			1	1	1	1	1	1	1	1	1	1	1
50	3012104600	FOOT ADJUSTING AS			2	2	2	2	2	2	2	2	2	2	2
51	3010615600	BRACKET FAN MOTOR			1	1	1	1	1	1	1	1	1	1	1
52	3011804710	MOTOR FAN AS SHAFT 3.17 A GRADE 230V/50HZ			1	1	1	1	1	1	1	1	1	1	1
53	3018905501	LOUVER F B 36./39..			1	1	1	1	-	-	-	-	-	-	-
53	3018905601	LOUVER F B 38./41.			-	-	-	-	1	1	-	-	-	-	-
53	3018919000	LOUVER FB 386/416			-	-	-	-	-	-	1	-	1	1	1
54	3011801410	FAN GRADO A			1	1	1	1	1	1	1	1	1	1	1
55	3011200520	FIXTURE FAN RING (SPRING) DAEWOO 2005			1	1	1	1	1	1	1	1	1	1	1
56	3018913800	LOUVER F A 36./39..			1	1	1	1	-	-	-	-	-	-	-
56	3018913900	LOUVER F A 38./41.			-	-	-	-	1	1	-	-	-	-	-
56	3018918800	LOUVER FA 386/416			-	-	-	-	-	-	1	-	1	1	1
56a	3018920700	LOUVER F C			-	-	-	-	-	-	1	-	1	1	1
56b	3013410700	KNOB F LOUVER			-	-	-	-	-	-	1	-	1	1	1
57	3010107100	ABSORBER FAN MOTOR (BUSHING)			2	2	2	2	2	2	2	2	2	2	2
58	3017045600	EVAPORATOR AS			1	1	1	1	1	1	1	1	1	1	1
59	3012702400	SWITCH BI-METAL-FUSE			1	1	1	1	1	1	1	1	1	1	1
60	3012806752	HEATER D AS MECH			1	1	1	1	1	1	1	1	1	1	1
61	3010919700	CAP DRAIN HOSE			1	1	1	1	1	1	1	1	1	1	1
62	3011162700	VAPORI CASE (SANYO&R600)			1	-	1	-	1	-	-	1	-	1	-
62	3011162600	CASE VAPORI (FOR DAEWOO COMPRESSOR)			-	1	-	1	-	1	-	-	1	-	-
63	3012005300	FIXTURE COMP			2	2	2	2	2	2	2	2	2	2	2
64	3016802210	DRYER AS 2005			1	1	1	1	1	1	1	1	1	1	1
65	DMS0A00100	COMPRESSOR C-BE 140L5Z (SANYO)			1	-	1	-	1	-	-	1	-	1	-
65	3956158K50	COMPRESSOR DAEWOO YX58LHP5			-	1	-	1	-	1	-	-	1	-	-

